



US00D740336S

(12) **United States Design Patent**
Gunnarsson

(10) **Patent No.:** **US D740,336 S**

(45) **Date of Patent:** **** Oct. 6, 2015**

(54) **CRUSHING APPARATUS**

435/86, 135, 347, 348.5, 349, 350,
435/353, 355, 358, 360

(71) Applicant: **SANDVIK INTELLECTUAL
PROPERTY AB**, Sandviken (SE)

See application file for complete search history.

(72) Inventor: **Johan Gunnarsson**, Sovde (SE)

(56) **References Cited**

(73) Assignee: **Sandvik Intellectual Property**,
Sandviken (SE)

U.S. PATENT DOCUMENTS

(**) Term: **14 Years**

3,843,068	A *	10/1974	Allen et al.	241/285.1
8,070,084	B2 *	12/2011	Biggin et al.	241/209
D724,632	S *	3/2015	Gunnarsson	D15/123
2011/0006143	A1 *	1/2011	Gunnarsson et al.	241/215
2012/0223171	A1 *	9/2012	Flath et al.	241/207
2013/0075508	A1 *	3/2013	Stemper	241/207
2013/0334348	A1 *	12/2013	Dricken et al.	241/32
2014/0084095	A1 *	3/2014	Glauberger et al.	241/277

(21) Appl. No.: **29/515,640**

(22) Filed: **Jan. 26, 2015**

* cited by examiner

Related U.S. Application Data

(62) Division of application No. 29/436,615, filed on Nov. 7, 2012, now Pat. No. Des. 724,632.

Primary Examiner — Patricia Palasik

(74) *Attorney, Agent, or Firm* — Corinne R. Gorski

(30) **Foreign Application Priority Data**

May 8, 2012 (EP) 001325377-0001
May 8, 2012 (EP) 001325377-002

(57) **CLAIM**

The ornamental design for a crushing apparatus, as shown.

(51) **LOC (10) Cl.** **15-09**

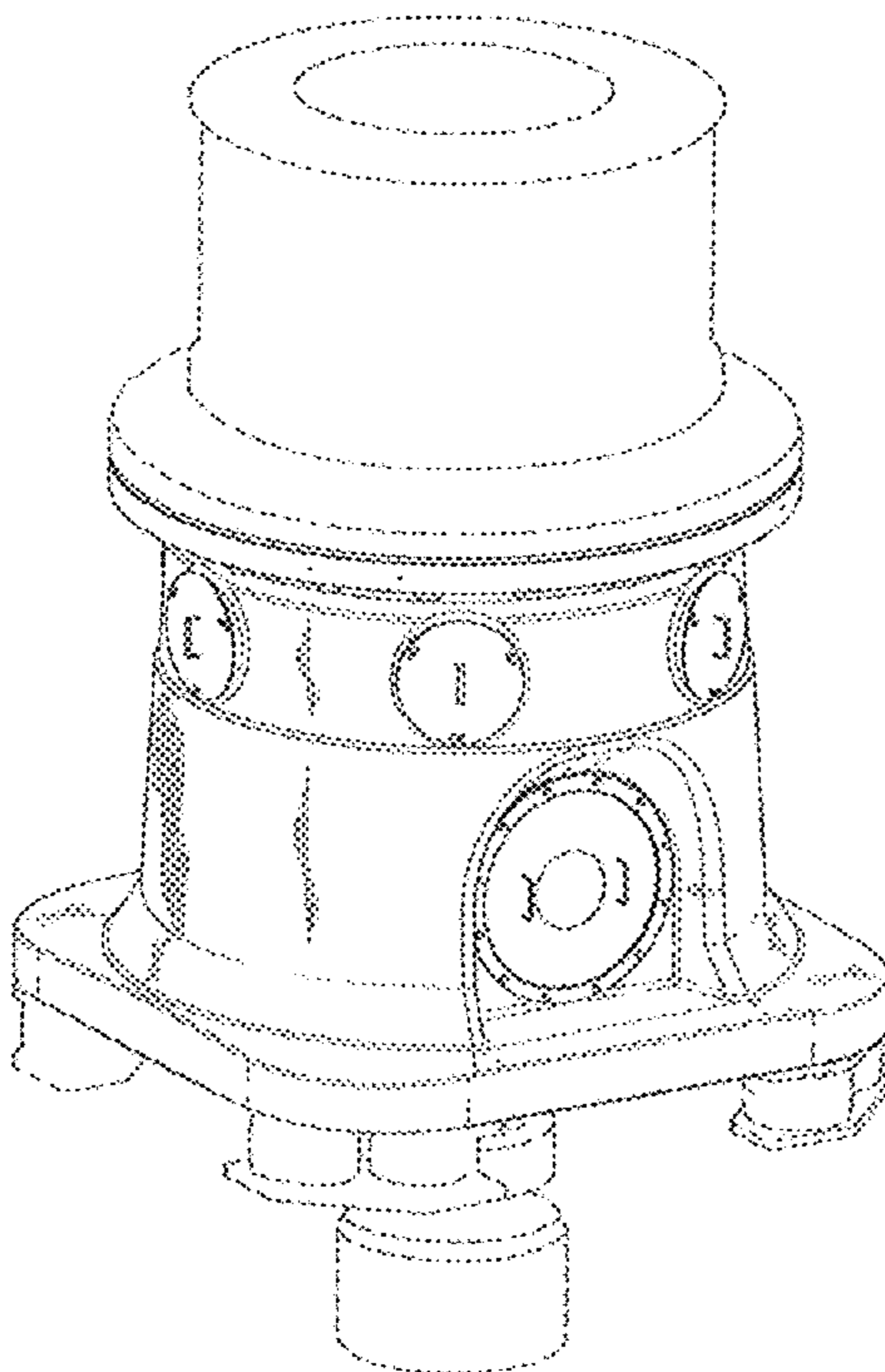
(52) **U.S. Cl.**
USPC **D15/123**

DESCRIPTION

(58) **Field of Classification Search**
USPC D15/122, 123; 72/448, 455, 465;
100/207, 208, 214, 268, 282, 292;
241/31, 58, 159, 179, 186, 236, 285;

FIG. 1 is a perspective view of an embodiment of a crushing apparatus;
FIG. 2 is a side view from one side thereof;
FIG. 3 is front view thereof;
FIG. 4 is a side view of the other side thereof;
FIG. 5 is a back view thereof; and,
FIG. 6 is a top plan view thereof.

1 Claim, 6 Drawing Sheets



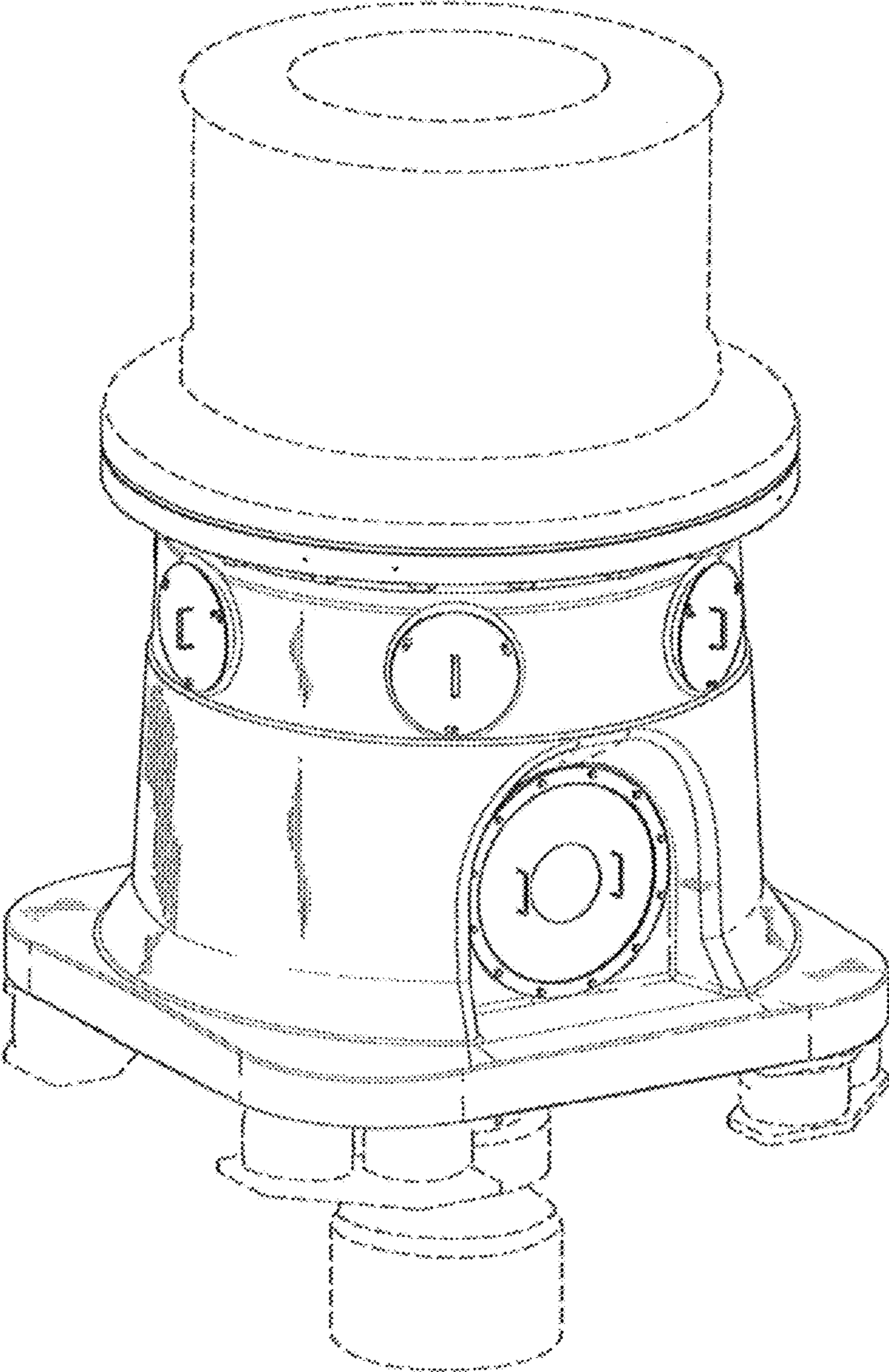


FIG. 1

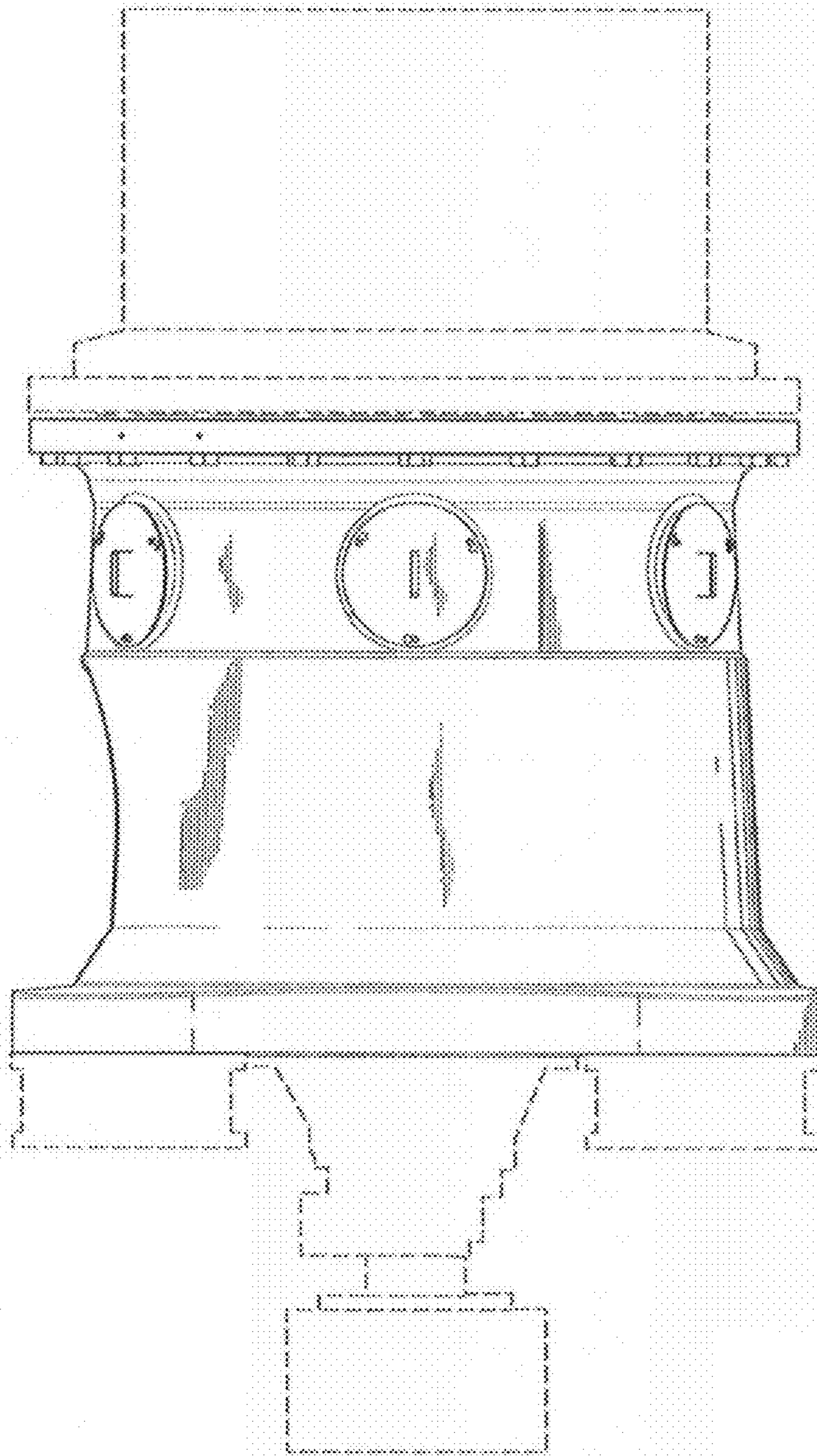


FIG. 2

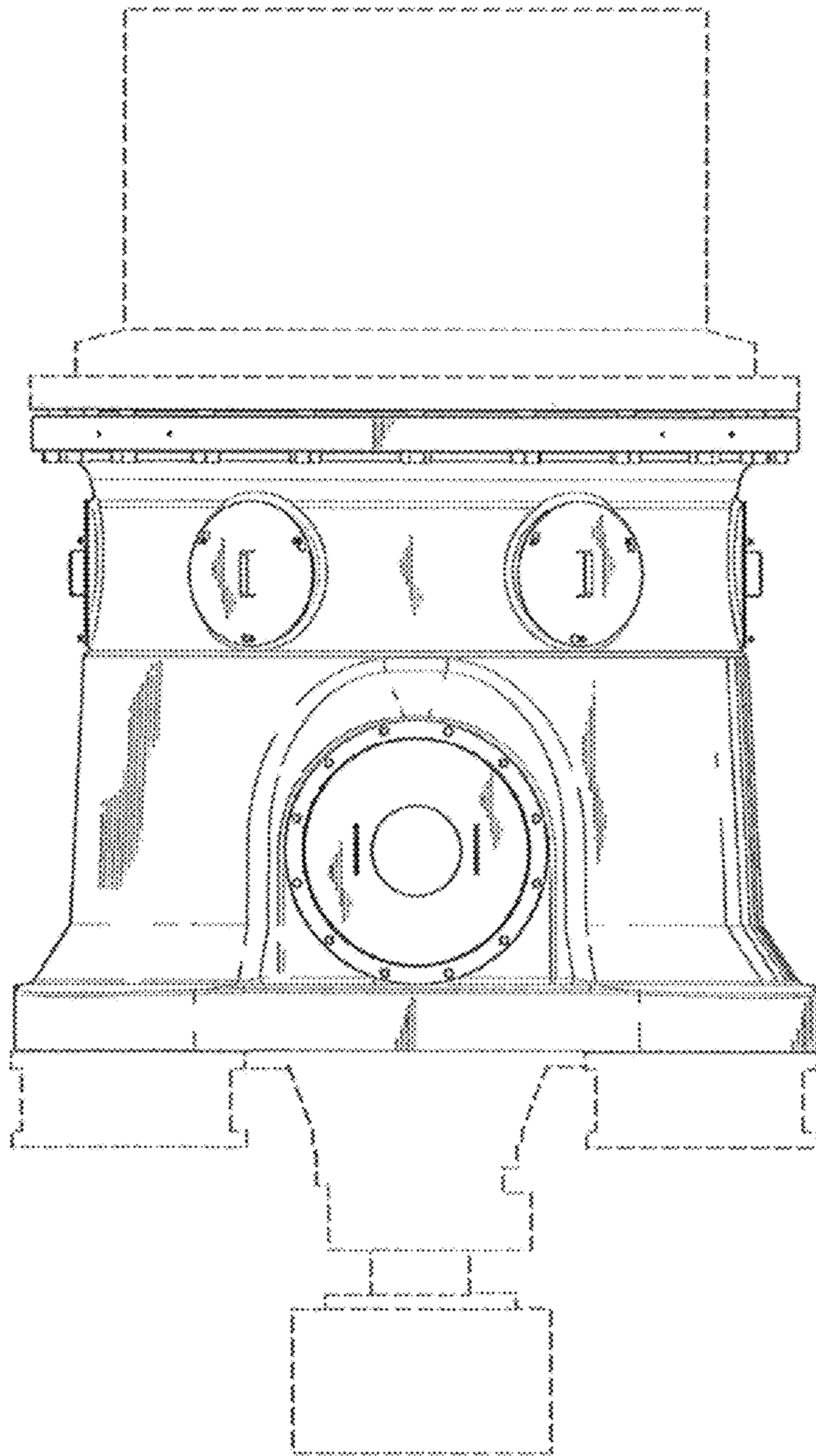


FIG. 3

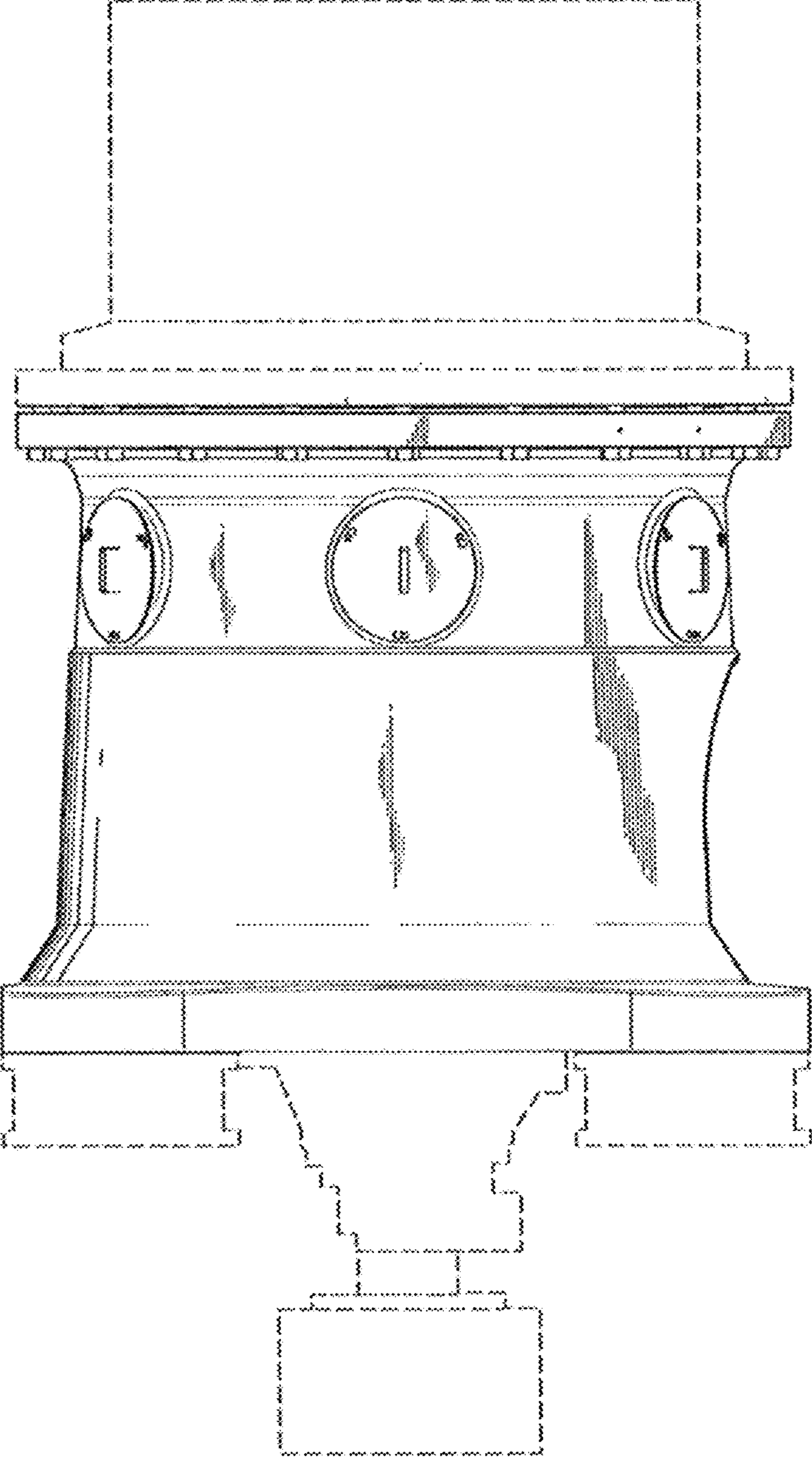


FIG. 4

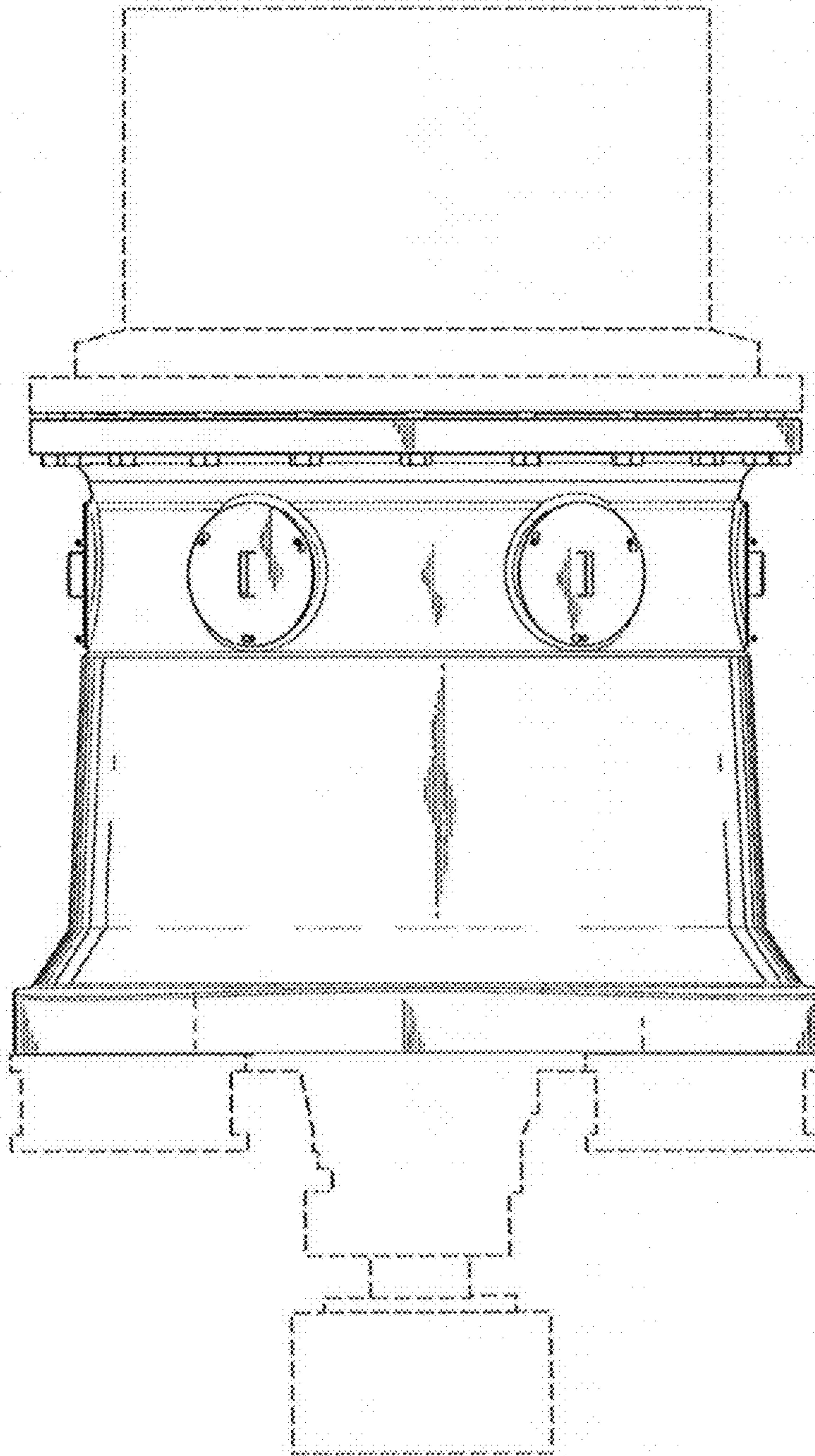


FIG. 5

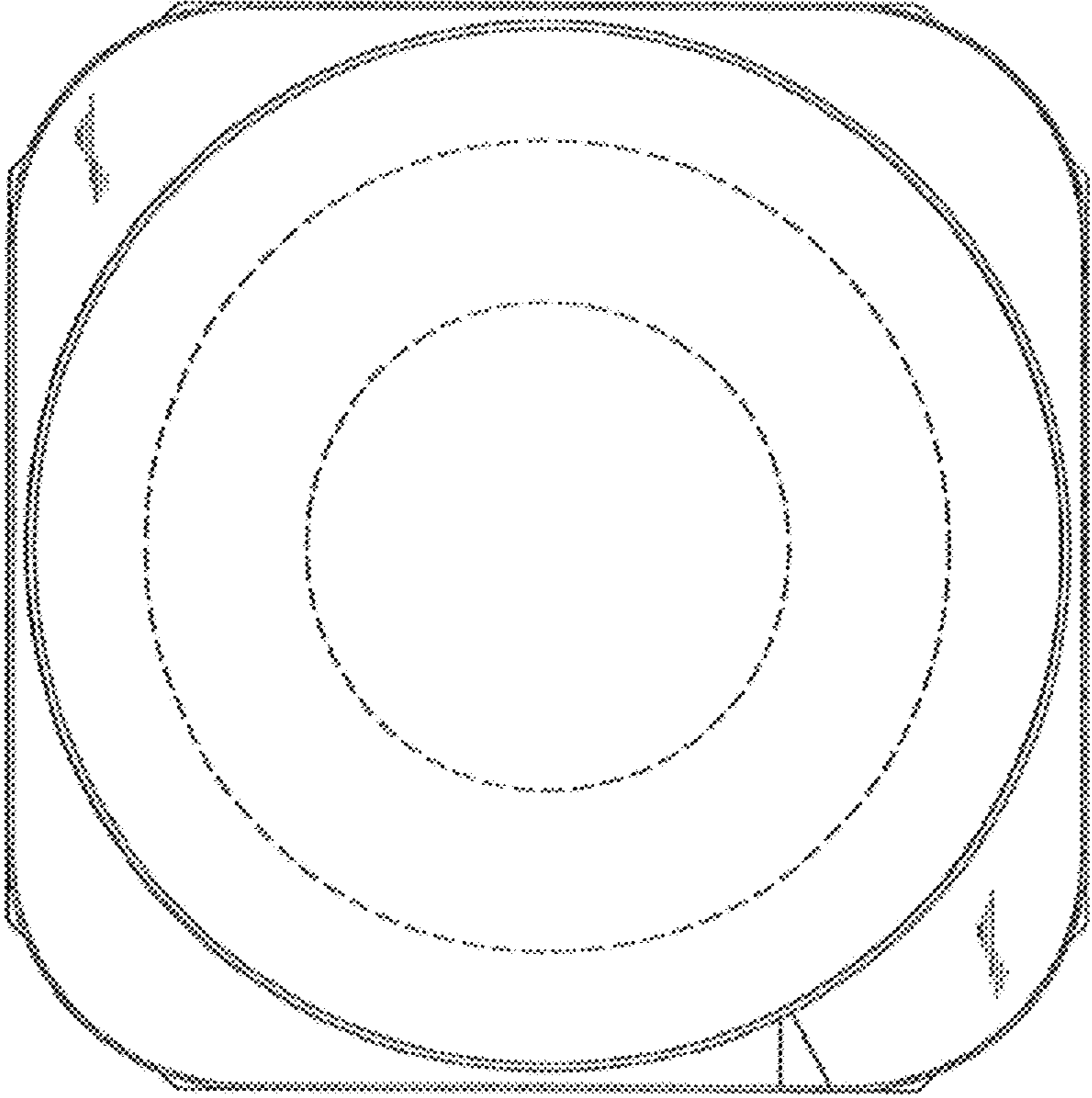


FIG. 6