



US00D740335S

(12) **United States Design Patent**
Hwang et al.

(10) **Patent No.:** **US D740,335 S**

(45) **Date of Patent:** **** Oct. 6, 2015**

(54) **REFRIGERATOR**

(71) Applicant: **LG ELECTRONICS INC.**, Seoul (KR)

(72) Inventors: **Jungyeon Hwang**, Hwaseong-si (KR);
Jeaseok Seong, Yongin-si (KR);
Seungjin Yoon, Hanam-si (KR);
Jaeyoung Kim, Seoul (KR)

(73) Assignee: **LG Electronics Inc.**, Seoul (KR)

(**) Term: **14 Years**

(21) Appl. No.: **29/480,386**

(22) Filed: **Jan. 24, 2014**

(30) **Foreign Application Priority Data**

Jul. 26, 2013 (KR) 30-2013-0038928

(51) **LOC (10) Cl.** **15-07**

(52) **U.S. Cl.**
USPC **D15/89**

(58) **Field of Classification Search**
USPC D15/79, 80, 86, 89, 91
See application file for complete search history.

(56) **References Cited**

U.S. PATENT DOCUMENTS

D511,534 S *	11/2005	Ertz et al.	D15/89
D514,139 S *	1/2006	Ertz et al.	D15/89
D589,988 S *	4/2009	Martin et al.	D15/89
D672,376 S *	12/2012	Ringemann et al.	D15/89
D697,537 S *	1/2014	Seo et al.	D15/89
D709,106 S *	7/2014	Jeon et al.	D15/89

D710,403 S *	8/2014	Seo et al.	D15/89
D714,842 S *	10/2014	Jeon et al.	D15/89
D715,336 S *	10/2014	Sin et al.	D15/89

* cited by examiner

Primary Examiner — Daniel Bui

Assistant Examiner — Khawaja Anwar

(74) *Attorney, Agent, or Firm* — Birch, Stewart, Kolasch & Birch, LLP

(57) **CLAIM**

The ornamental design for a refrigerator, as shown and described.

DESCRIPTION

FIG. 1 is a perspective view of a refrigerator showing our new design;

FIG. 2 is a front view thereof;

FIG. 3 is a rear view thereof;

FIG. 4 is a left side view thereof;

FIG. 5 is a right side view thereof;

FIG. 6 is a top plan view thereof where the bottom plan view is a mirror image;

FIG. 7 is a cross-sectional view taken along line 7-7 in FIG. 2; and,

FIG. 8 is an enlarged view of area 8 in FIG. 1, shown in a use condition.

The broken lines in the figure drawings show unclaimed environment only and form no part of the claimed design. The dash-dot broken lines define the bounds of the claimed design and form no part thereof.

1 Claim, 8 Drawing Sheets

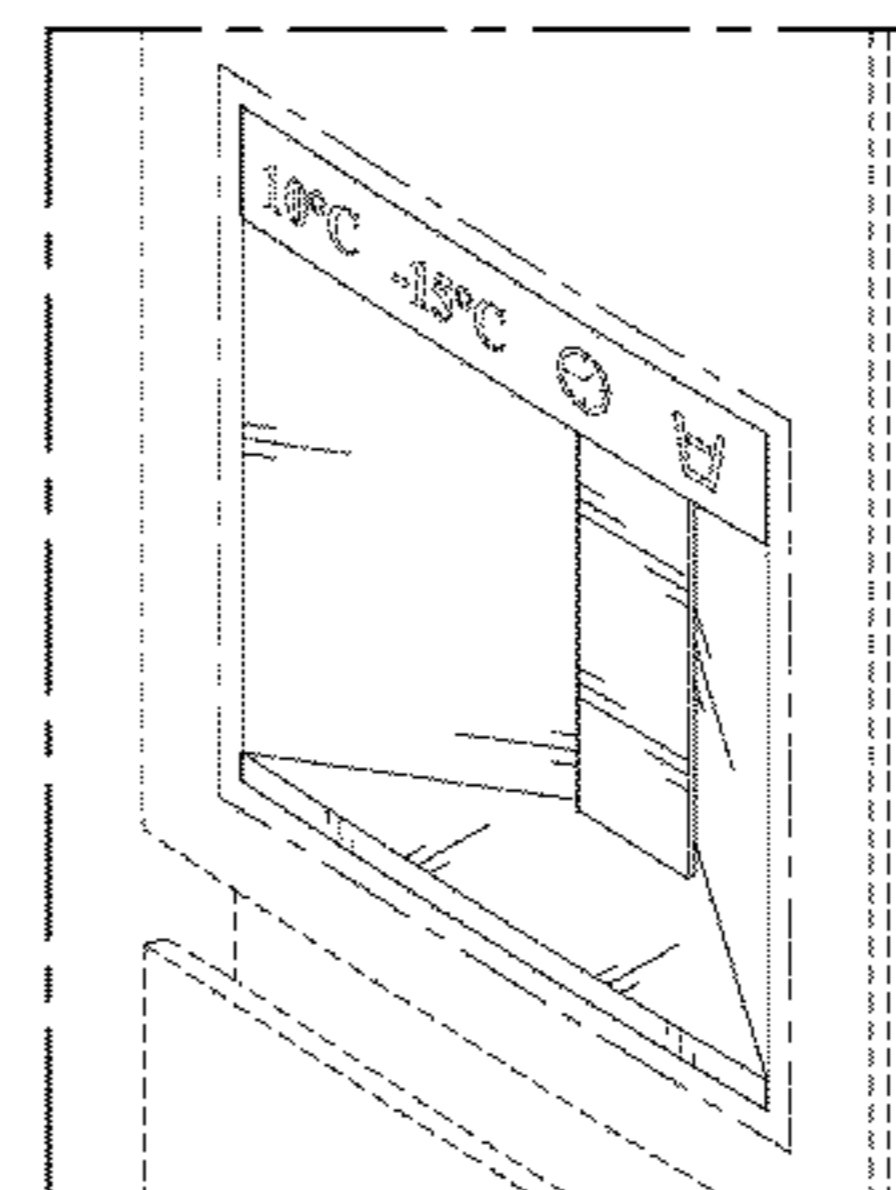
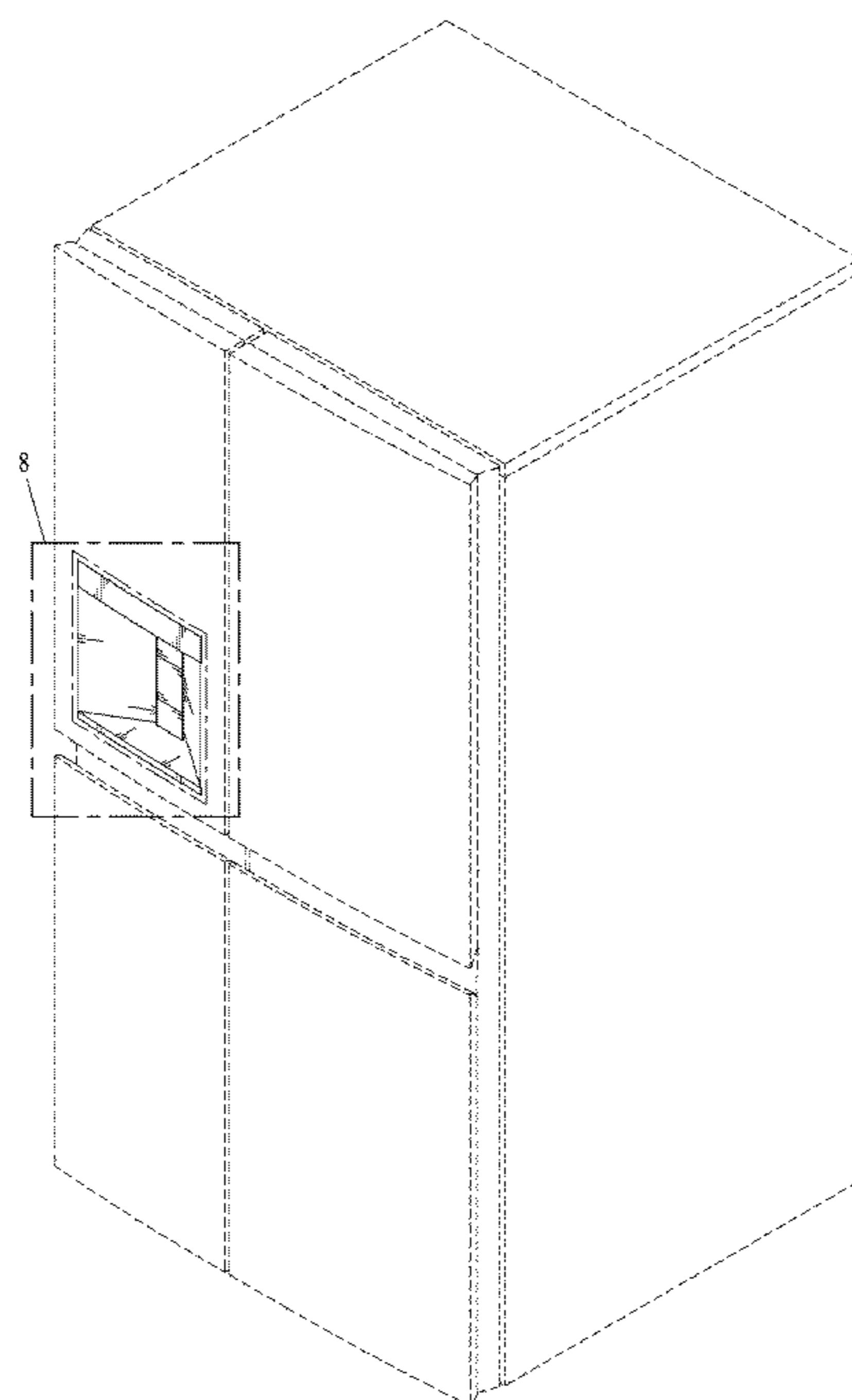


FIG. 1

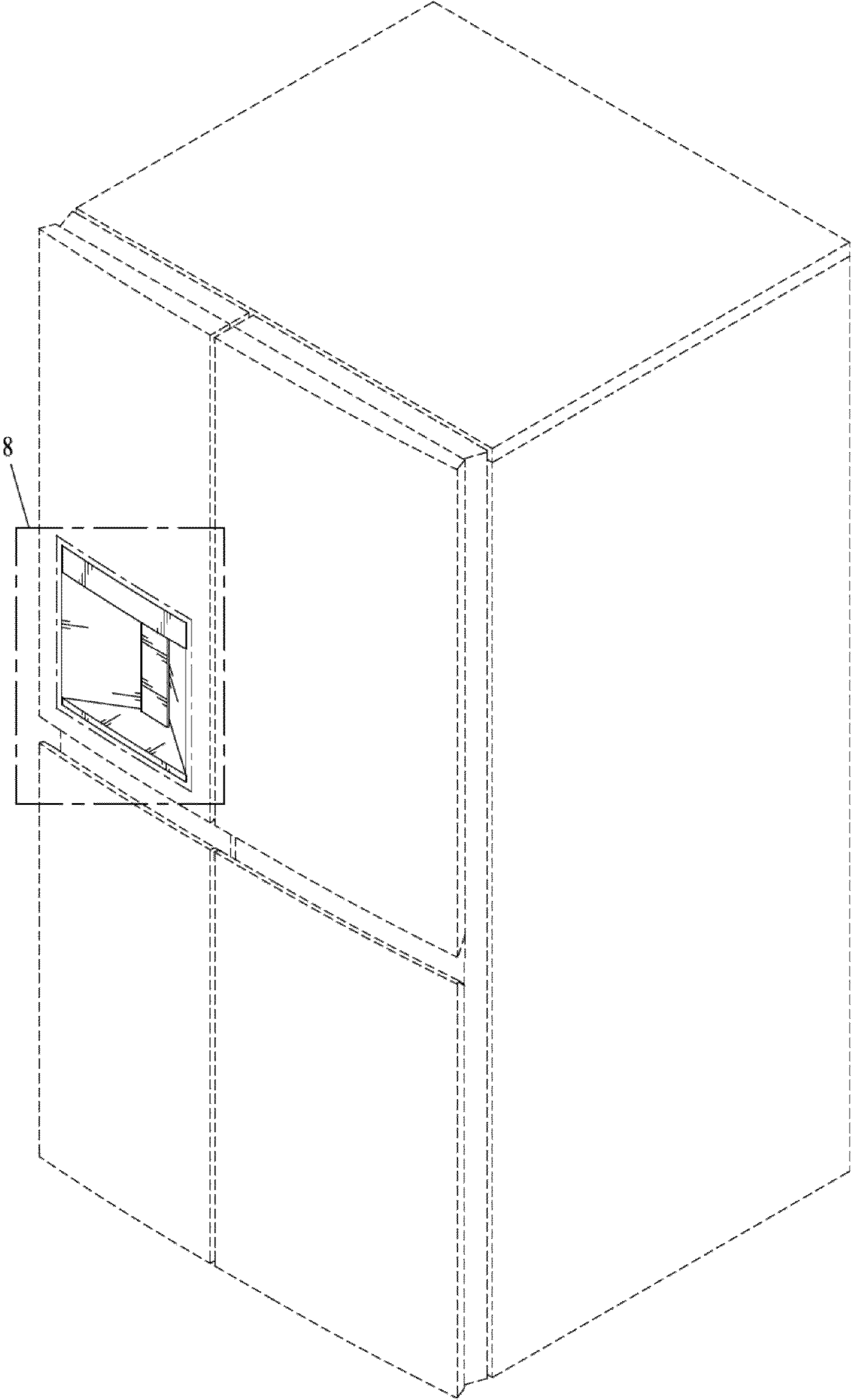


FIG. 2

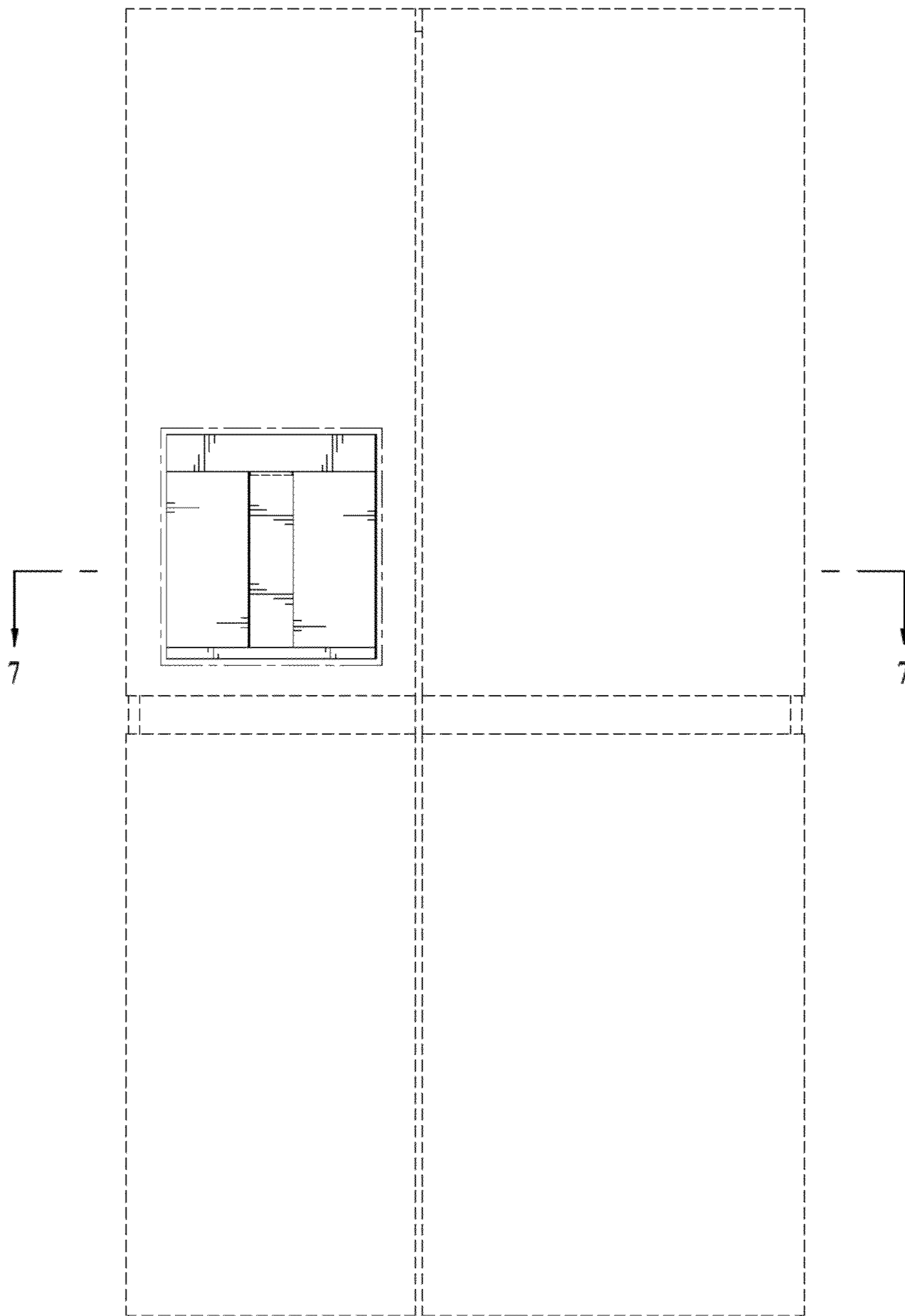


FIG. 3

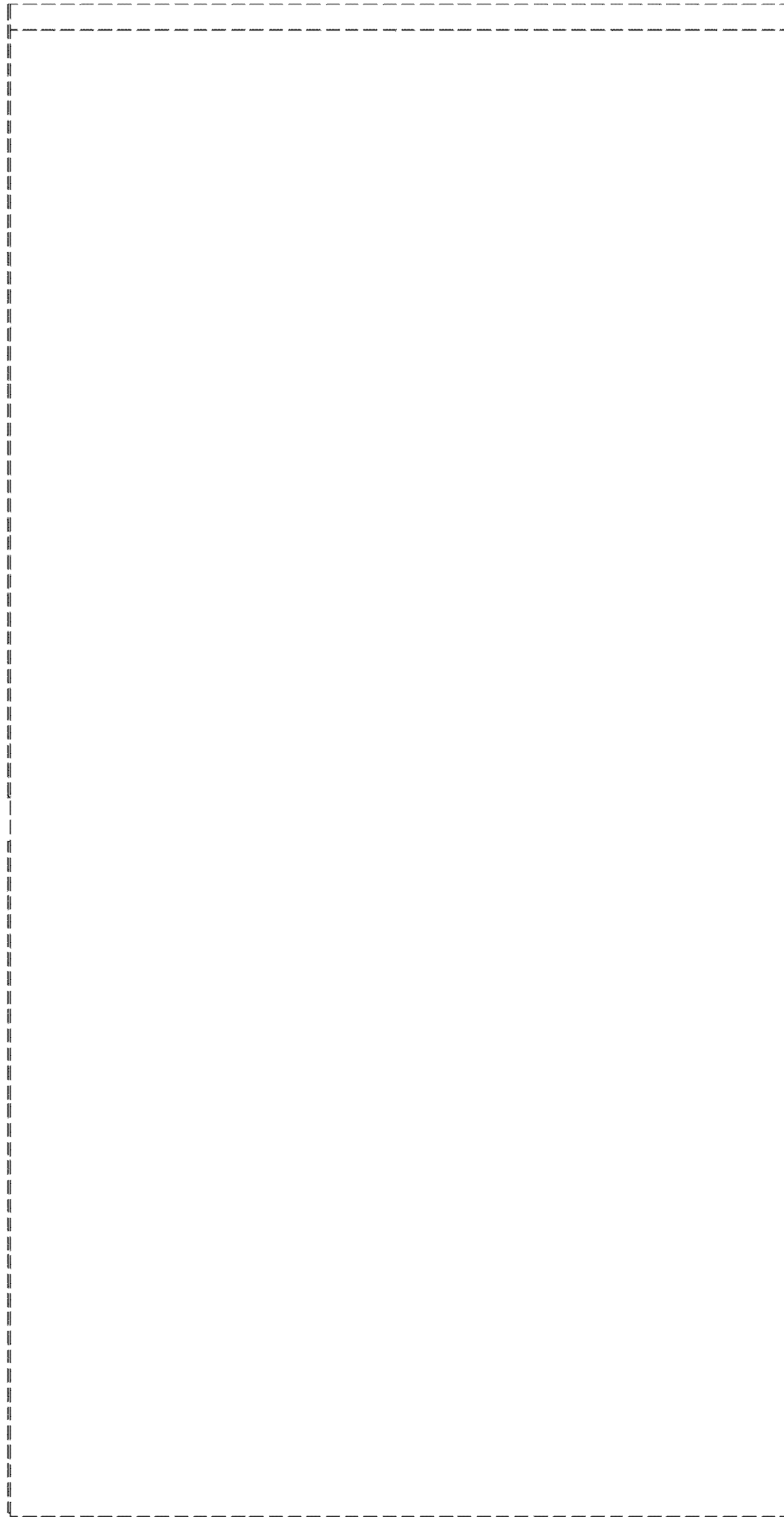


FIG. 4



FIG. 5

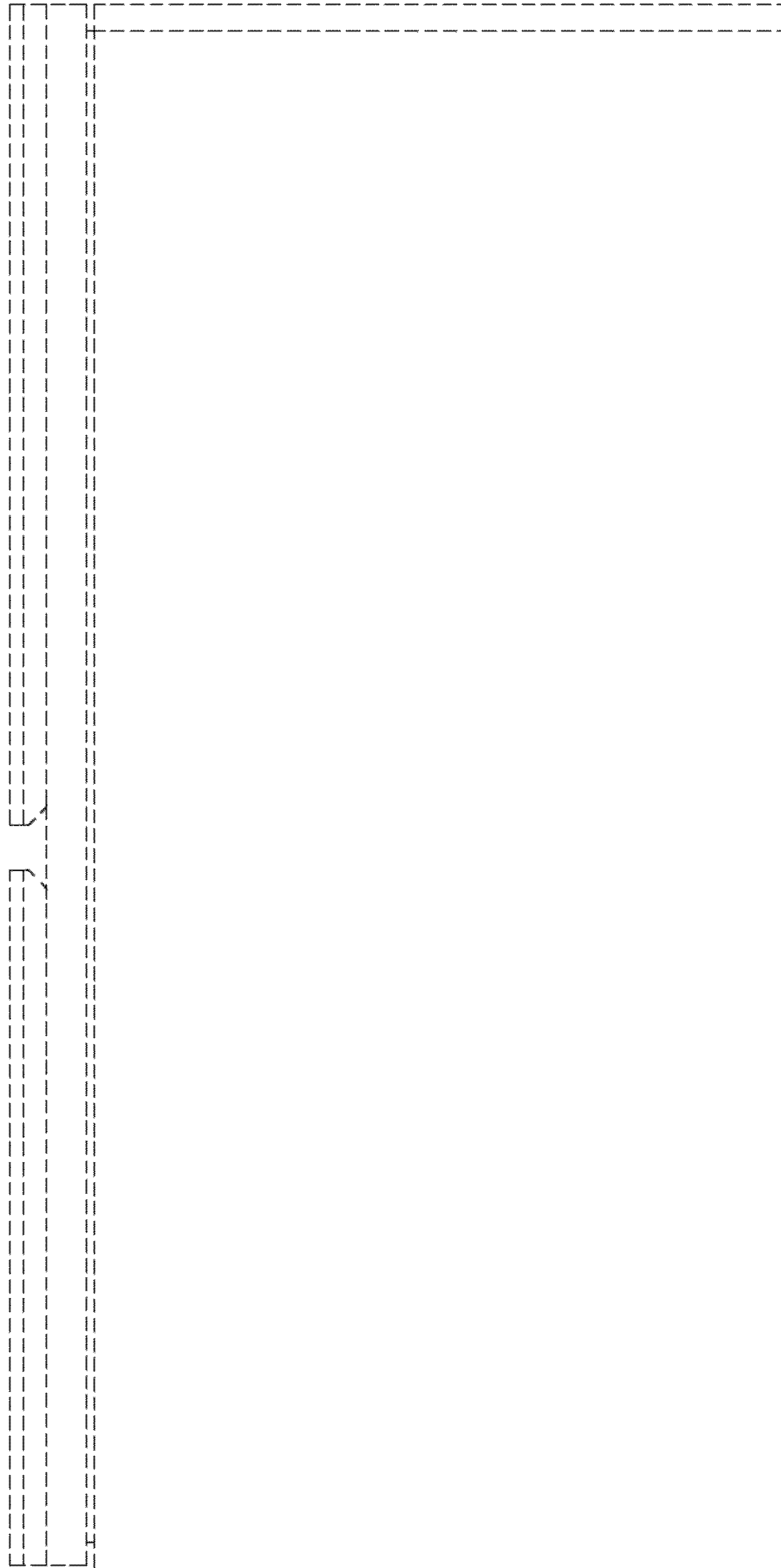


FIG. 6

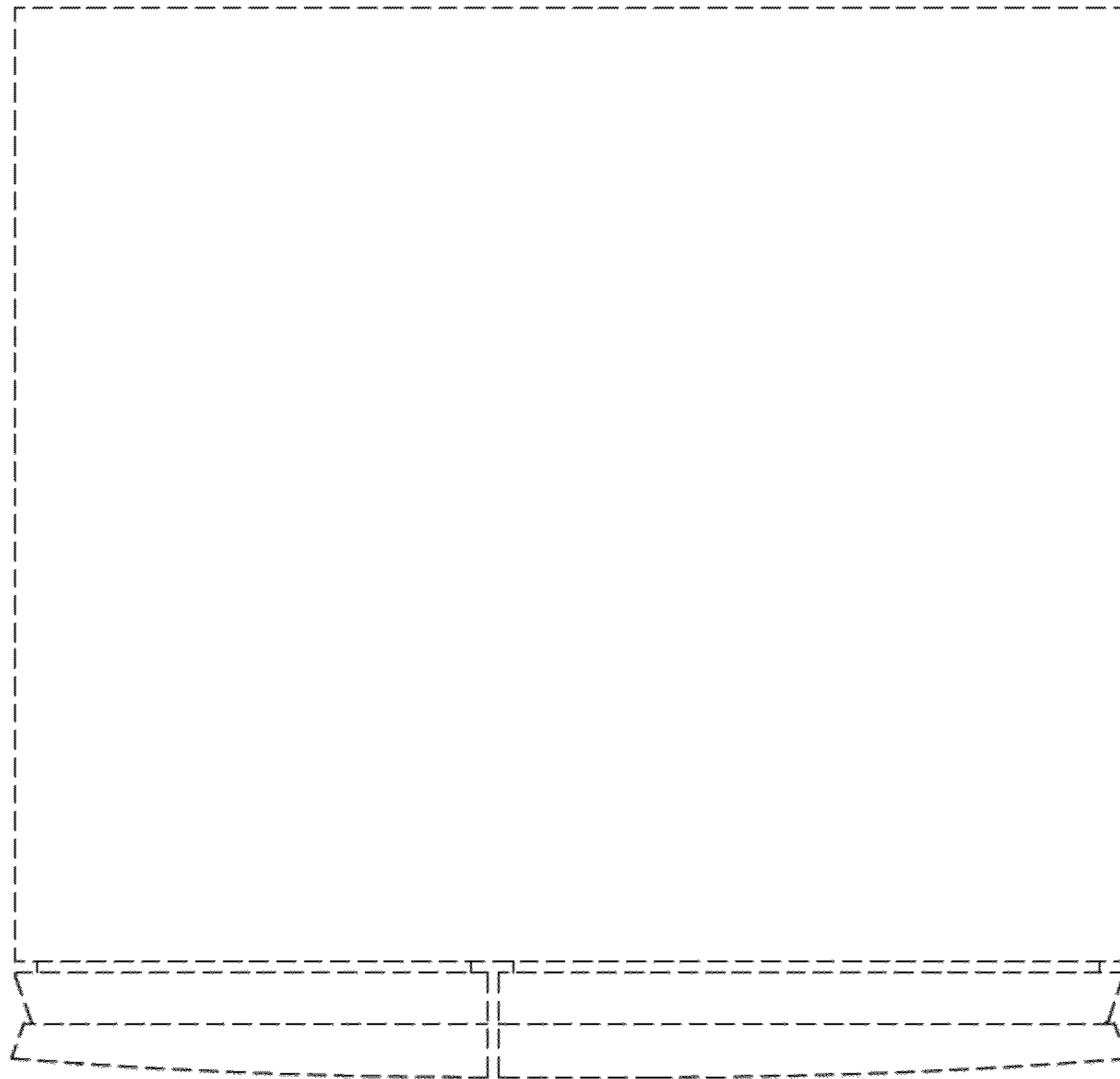


FIG. 7

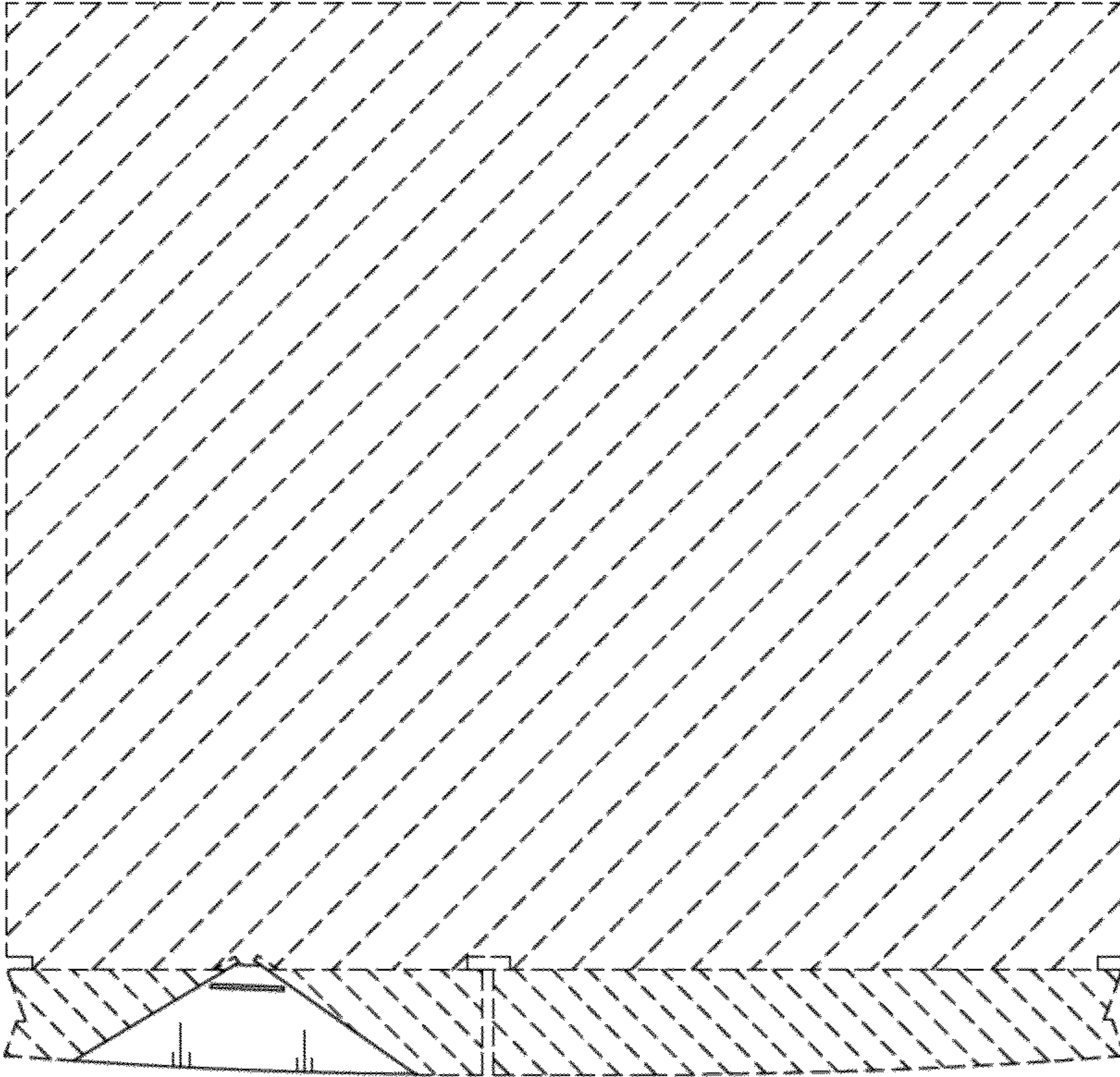


FIG. 8

