



US00D740334S

(12) **United States Design Patent**  
**Moseley**

(10) **Patent No.:** **US D740,334 S**

(45) **Date of Patent:** **\*\* Oct. 6, 2015**

(54) **MOUNTABLE MAGNIFIER**

(71) Applicant: **Alan Michael Moseley**, Norman, OK  
(US)

(72) Inventor: **Alan Michael Moseley**, Norman, OK  
(US)

(\*\*) Term: **14 Years**

(21) Appl. No.: **29/482,015**

(22) Filed: **Feb. 12, 2014**

(51) **LOC (10) Cl.** ..... **15-06**

(52) **U.S. Cl.**  
USPC ..... **D15/72; D16/135**

(58) **Field of Classification Search**  
USPC ..... D16/130, 131, 135, 136; 359/802, 804,  
359/809, 811, 818, 822, 827, 872, 881;  
248/466, 469, 473, 476, 495, 497;  
D6/300, 309, 312; D15/72, 74, 76  
CPC ..... G02B 7/023; G02B 7/02; G02B 7/022;  
G02B 7/026; G02B 7/182; G02B 25/002;  
G02B 7/10; G02B 7/003; G02B 7/14; G02B  
27/62; G02B 7/1824; G02B 7/00; G02B  
25/005; G02B 7/004; G02B 23/16; G02B  
6/4226; G02B 15/14; G02B 27/027; G02B  
21/24; G02B 6/4206; G02B 7/198  
See application file for complete search history.

(56) **References Cited**

**U.S. PATENT DOCUMENTS**

882,100 A \* 3/1908 Day ..... 359/723  
1,175,274 A \* 3/1916 Klorer ..... 82/152  
1,470,890 A \* 10/1923 Stone ..... 359/813

2,104,198 A \* 1/1938 Jones ..... 359/802  
D225,285 S \* 11/1972 Heckathorn ..... D6/309  
3,955,884 A \* 5/1976 Del Pesco, Sr. .... 359/804  
5,311,365 A \* 5/1994 Klearman et al. .... 359/804  
D411,853 S \* 7/1999 Cieslikowski ..... D16/219  
6,027,219 A \* 2/2000 Arambulo ..... 359/872  
7,445,191 B2 \* 11/2008 Courbon ..... 248/479  
7,980,722 B2 \* 7/2011 Coleman et al. .... 362/138  
D662,957 S \* 7/2012 Stubel ..... D16/135  
D697,949 S \* 1/2014 Moseley ..... D15/72  
D698,962 S \* 2/2014 Waldmann ..... D26/51  
D704,239 S \* 5/2014 Faul et al. .... D16/130  
2015/0002948 A1 \* 1/2015 Mitchell ..... 359/818

\* cited by examiner

*Primary Examiner* — Derrick Holland  
*Assistant Examiner* — Lauren Calve

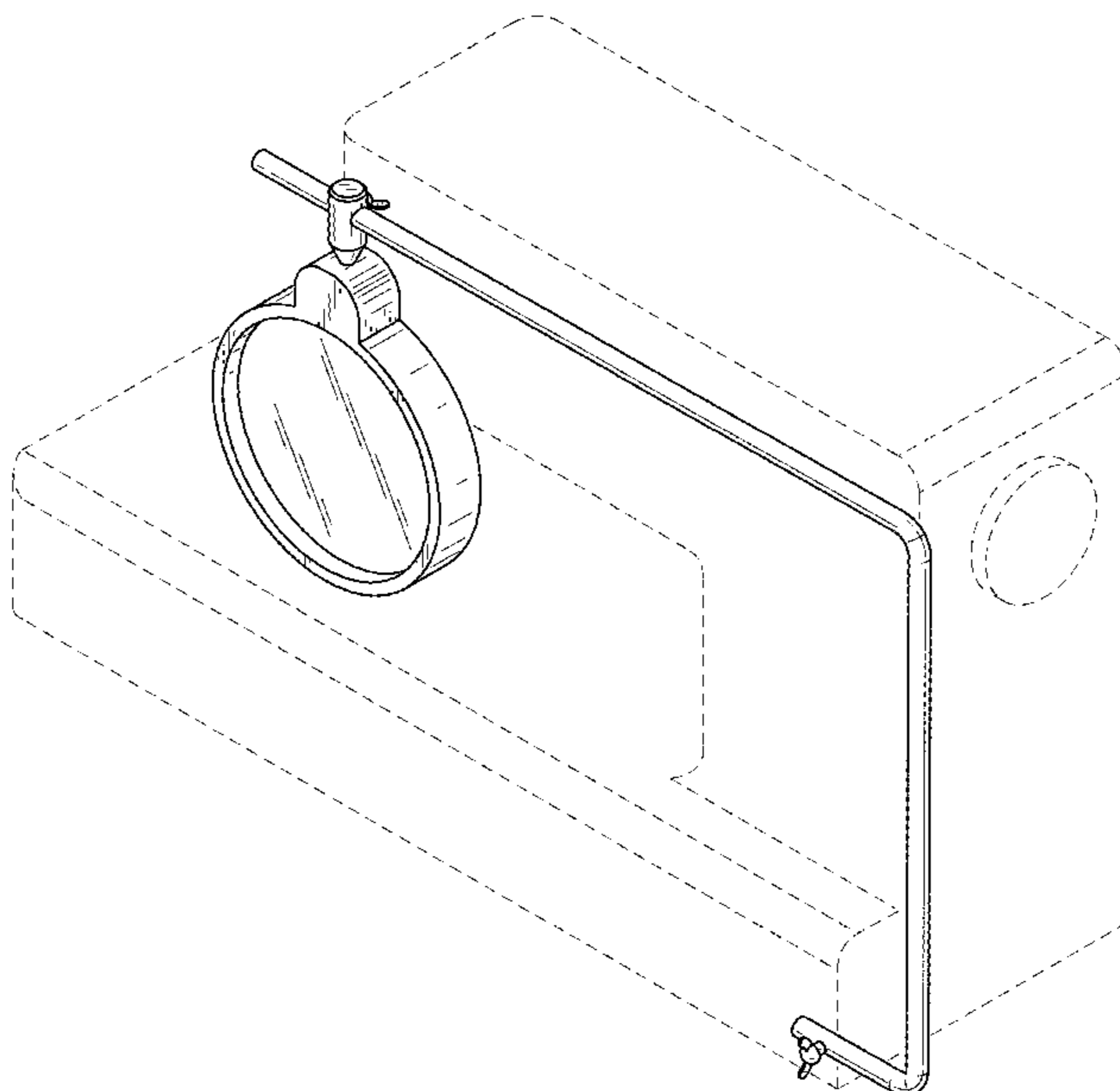
(57) **CLAIM**

The ornamental design for a mountable magnifier, as shown and described.

**DESCRIPTION**

FIG. 1 is a front perspective view of a mountable magnifier, shown in environmental use;  
FIG. 2 is a front elevation view of the mountable magnifier;  
FIG. 3 is a rear elevation view of the mountable magnifier;  
FIG. 4 is a left elevation view of the mountable magnifier;  
FIG. 5 is a right elevation view of the mountable magnifier;  
FIG. 6 is a top plan view of the mountable magnifier; and,  
FIG. 7 is a bottom plan view of the mountable magnifier.  
The broken lines shown represent unclaimed subject matter and form no part of the claimed design.

**1 Claim, 3 Drawing Sheets**



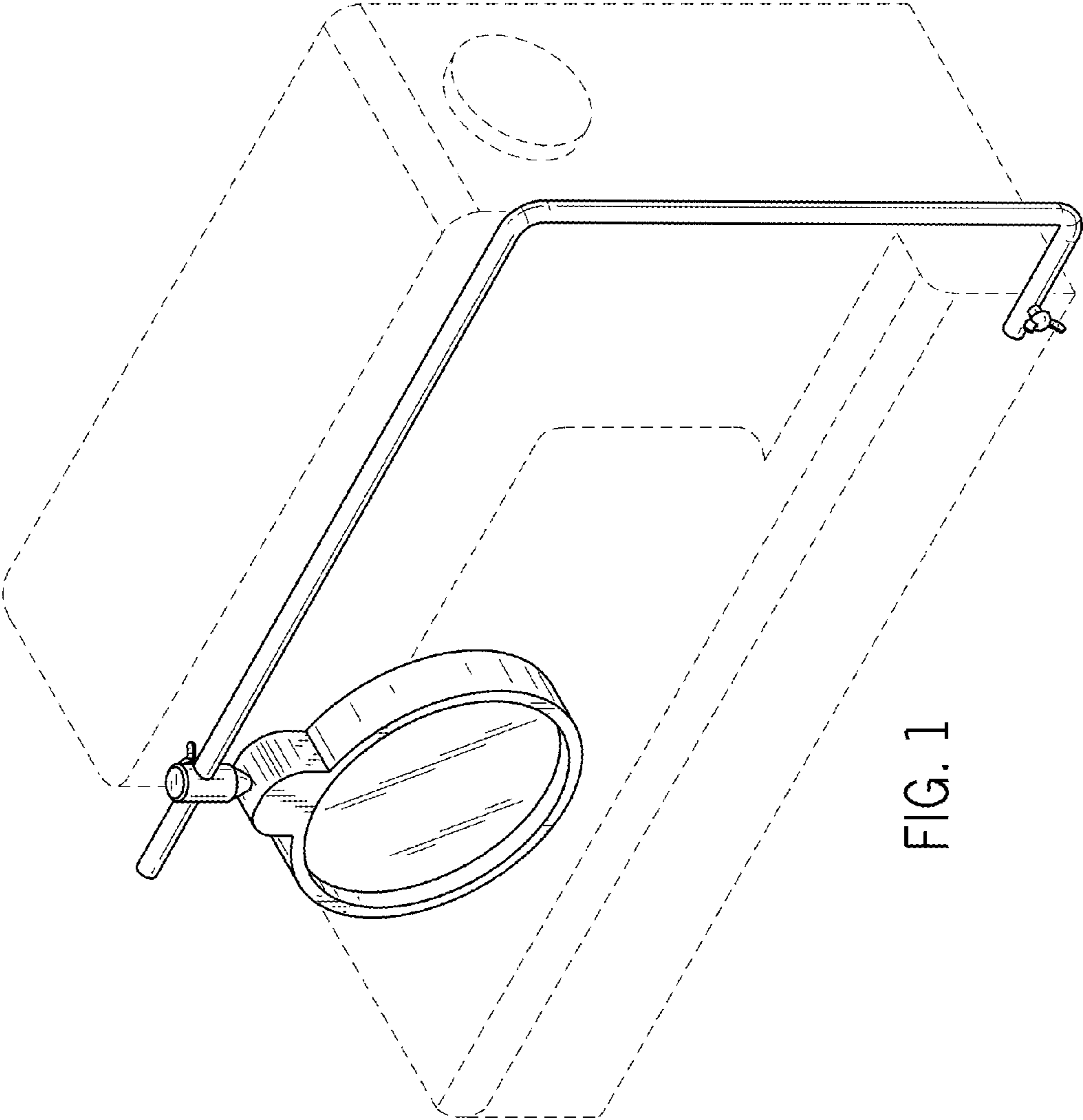


FIG. 1

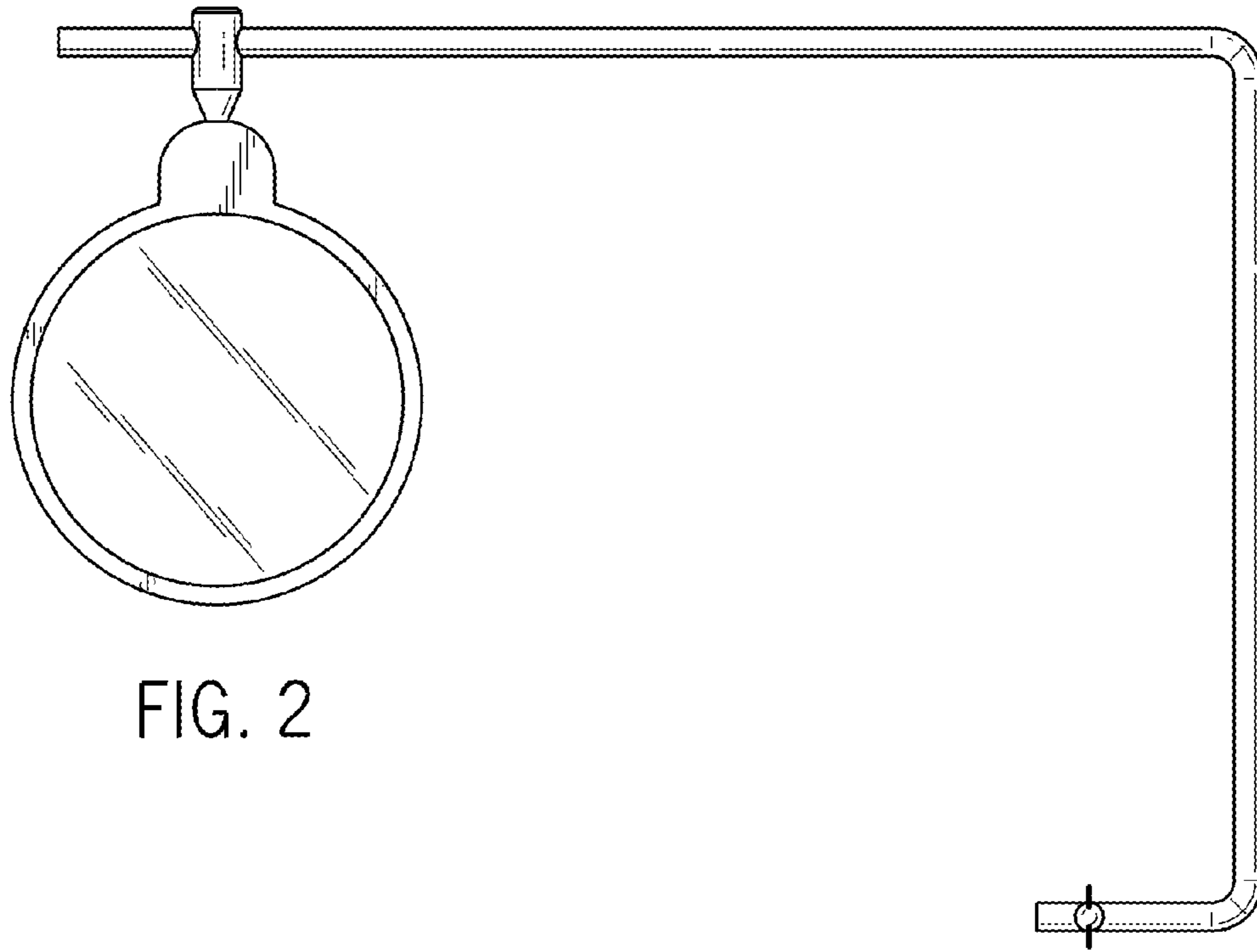


FIG. 2

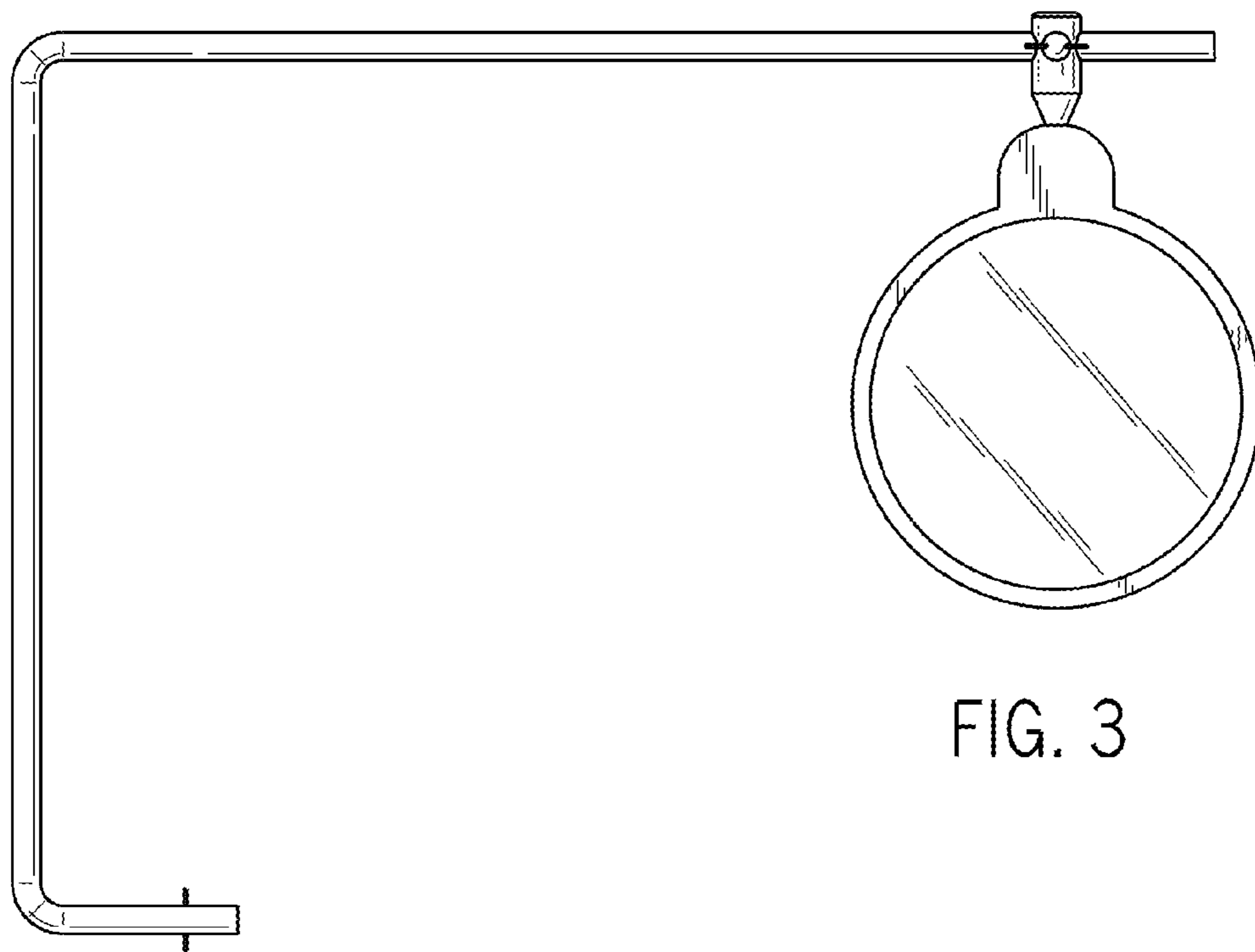


FIG. 3

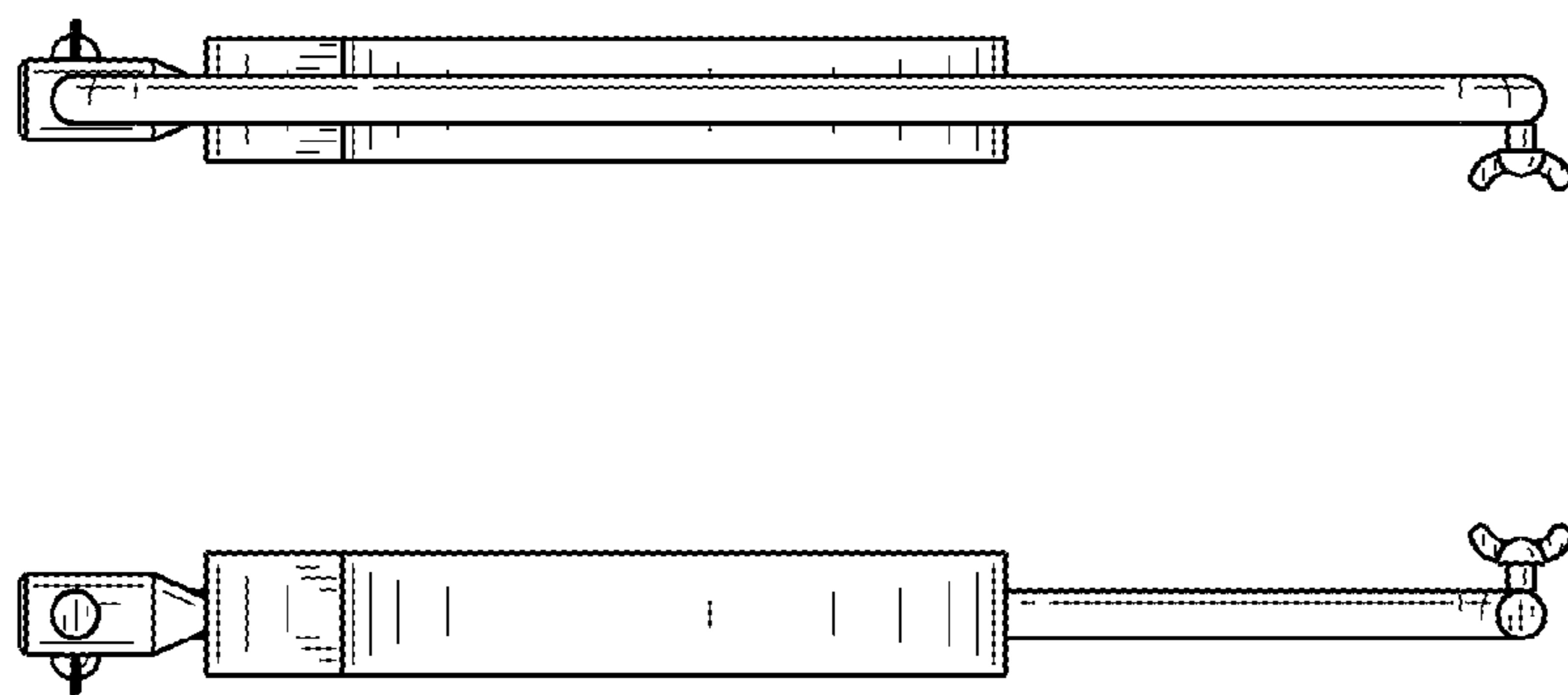


FIG. 4 FIG. 5

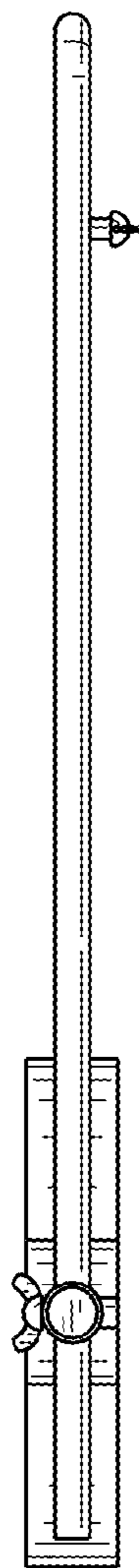


FIG. 6

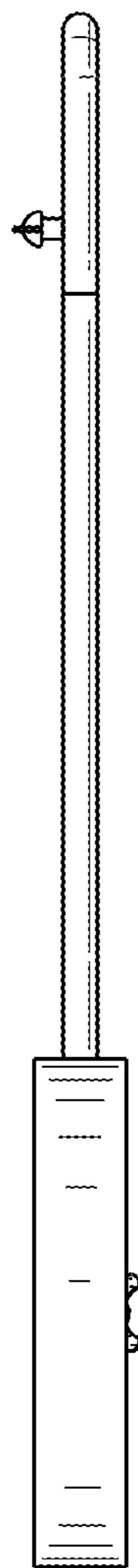


FIG. 7