



US00D740333S

(12) **United States Design Patent**
Suzuki

(10) **Patent No.:** **US D740,333 S**

(45) **Date of Patent:** **** Oct. 6, 2015**

(54) **SEWING MACHINE**

(71) Applicant: **BROTHER INDUSTRIES, LTD.**,
Nagoya-shi, Aichi-ken (JP)

(72) Inventor: **Jiro Suzuki**, Kariya (JP)

(73) Assignee: **BROTHER INDUSTRIES, LTD.**,
Nagoya (JP)

(**) Term: **14 Years**

(21) Appl. No.: **29/509,864**

(22) Filed: **Nov. 21, 2014**

(51) **LOC (10) Cl.** **15-06**

(52) **U.S. Cl.**
USPC **D15/69**

(58) **Field of Classification Search**
USPC D15/66–76
CPC D05B 1/00–25/00
See application file for complete search history.

(56) **References Cited**

U.S. PATENT DOCUMENTS

D267,321 S * 12/1982 Molineri D15/69
D286,054 S * 10/1986 Shibuya et al. D15/69
D374,238 S * 10/1996 Terao D15/70

D379,357 S * 5/1997 Kato et al. D15/69
D464,979 S * 10/2002 Yamamoto D15/69
D469,450 S * 1/2003 Yamamoto D15/69
D520,528 S * 5/2006 Kuroki et al. D15/69
D636,411 S * 4/2011 Dimitriadis et al. D15/70

* cited by examiner

Primary Examiner — Mitchell Siegel

(74) *Attorney, Agent, or Firm* — Oliff PLC

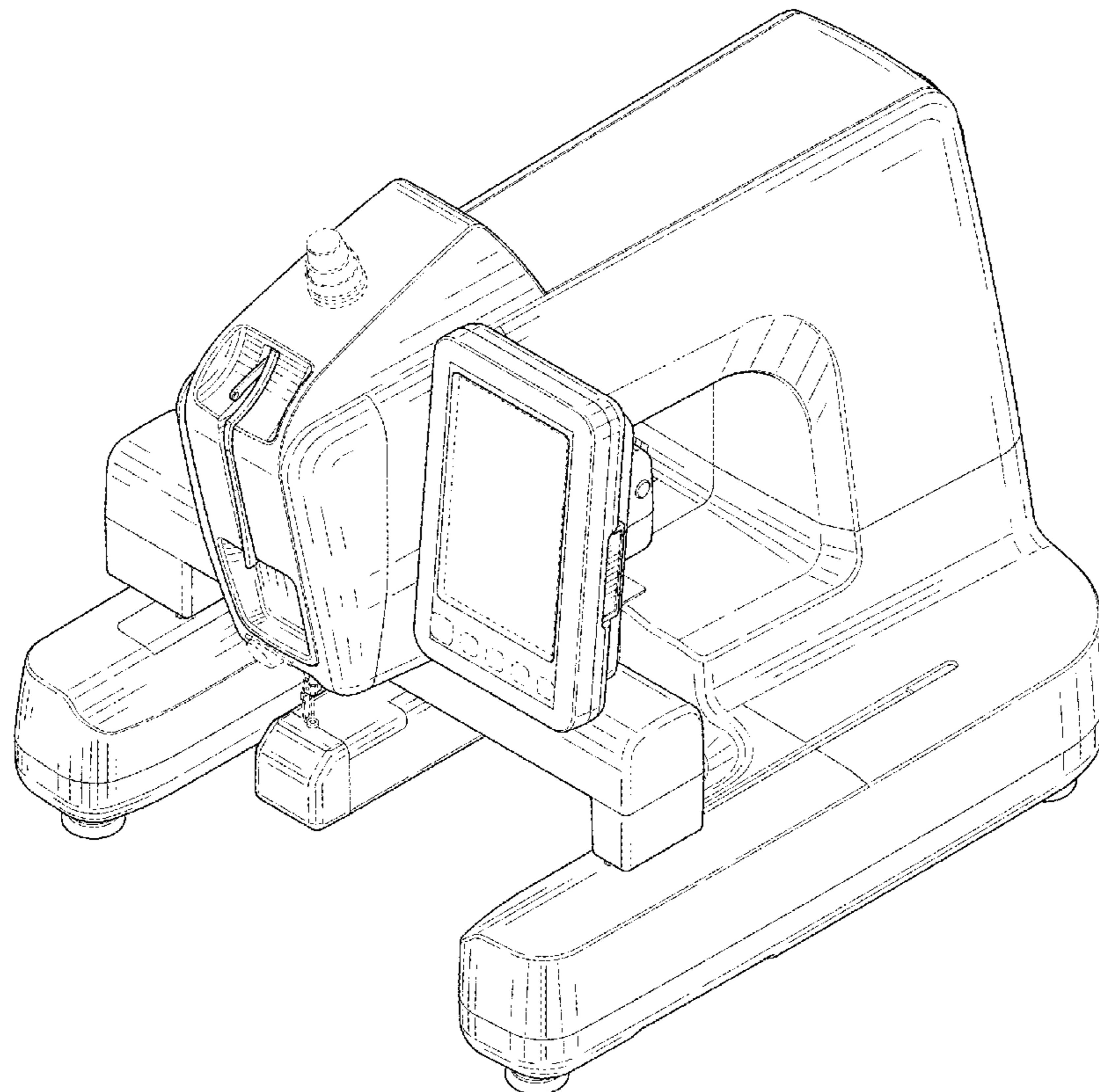
(57) **CLAIM**

The ornamental design for a sewing machine, as shown and described.

DESCRIPTION

FIG. 1 is a top, front, right-side perspective view of a sewing machine;
FIG. 2 is a front view thereof;
FIG. 3 is a top view thereof;
FIG. 4 is a right-side view thereof;
FIG. 5 is a left-side view thereof;
FIG. 6 is a rear view thereof;
FIG. 7 is a bottom view thereof; and,
FIG. 8 is a top, rear, left-side perspective view thereof.
The broken lines depict environmental subject matter only and form no part of the claimed design.

1 Claim, 8 Drawing Sheets



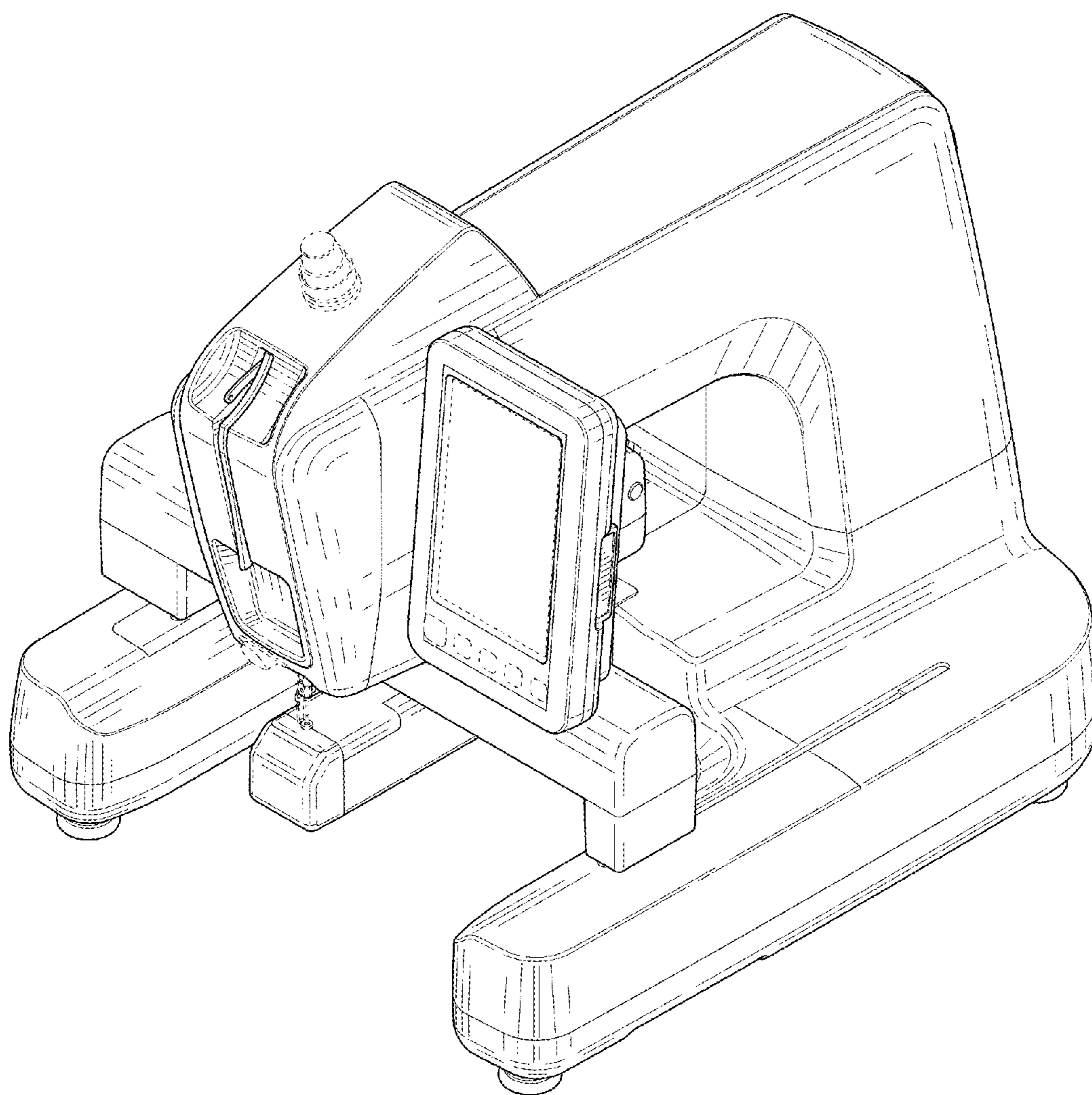


FIG. 1

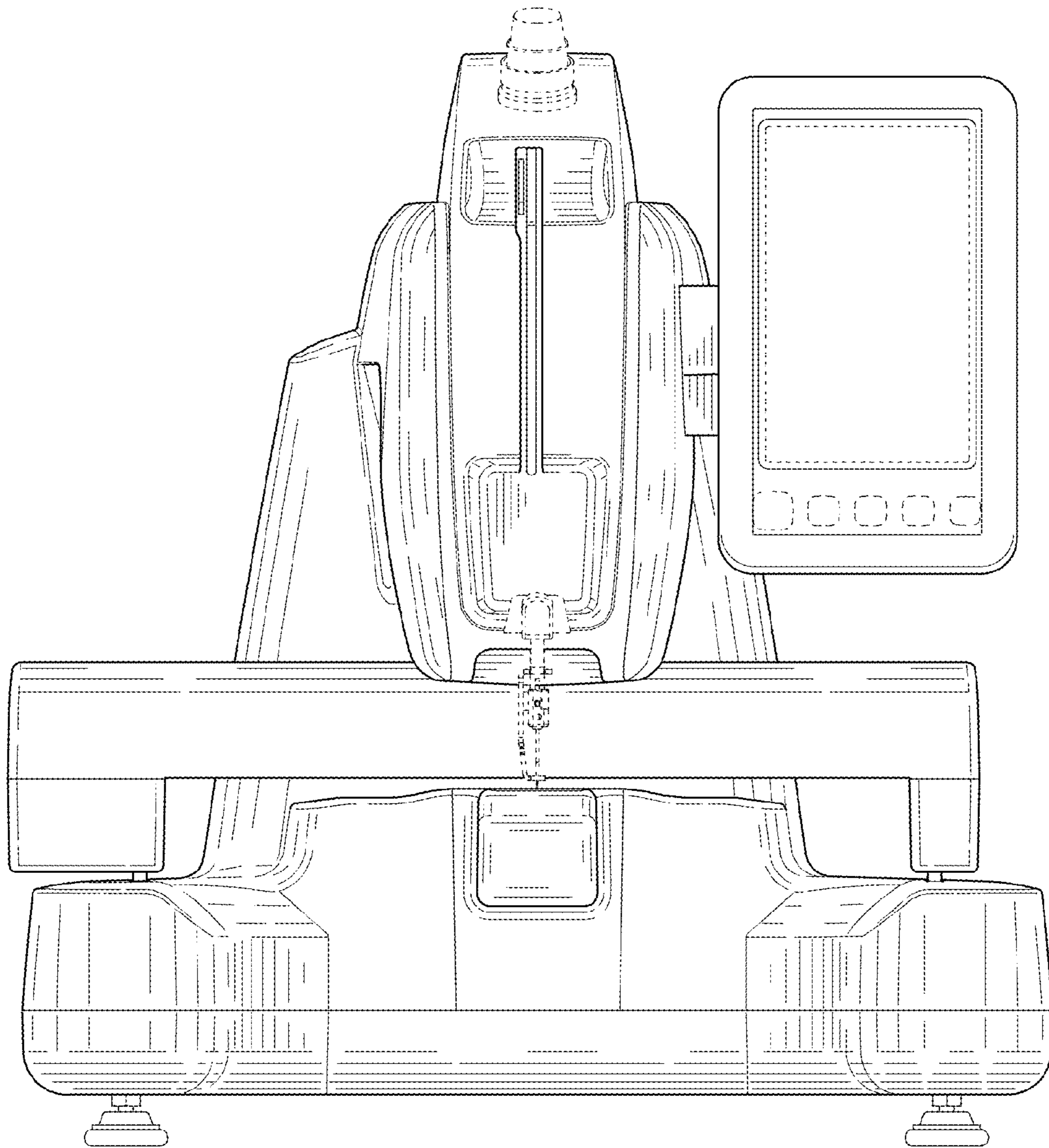


FIG. 2

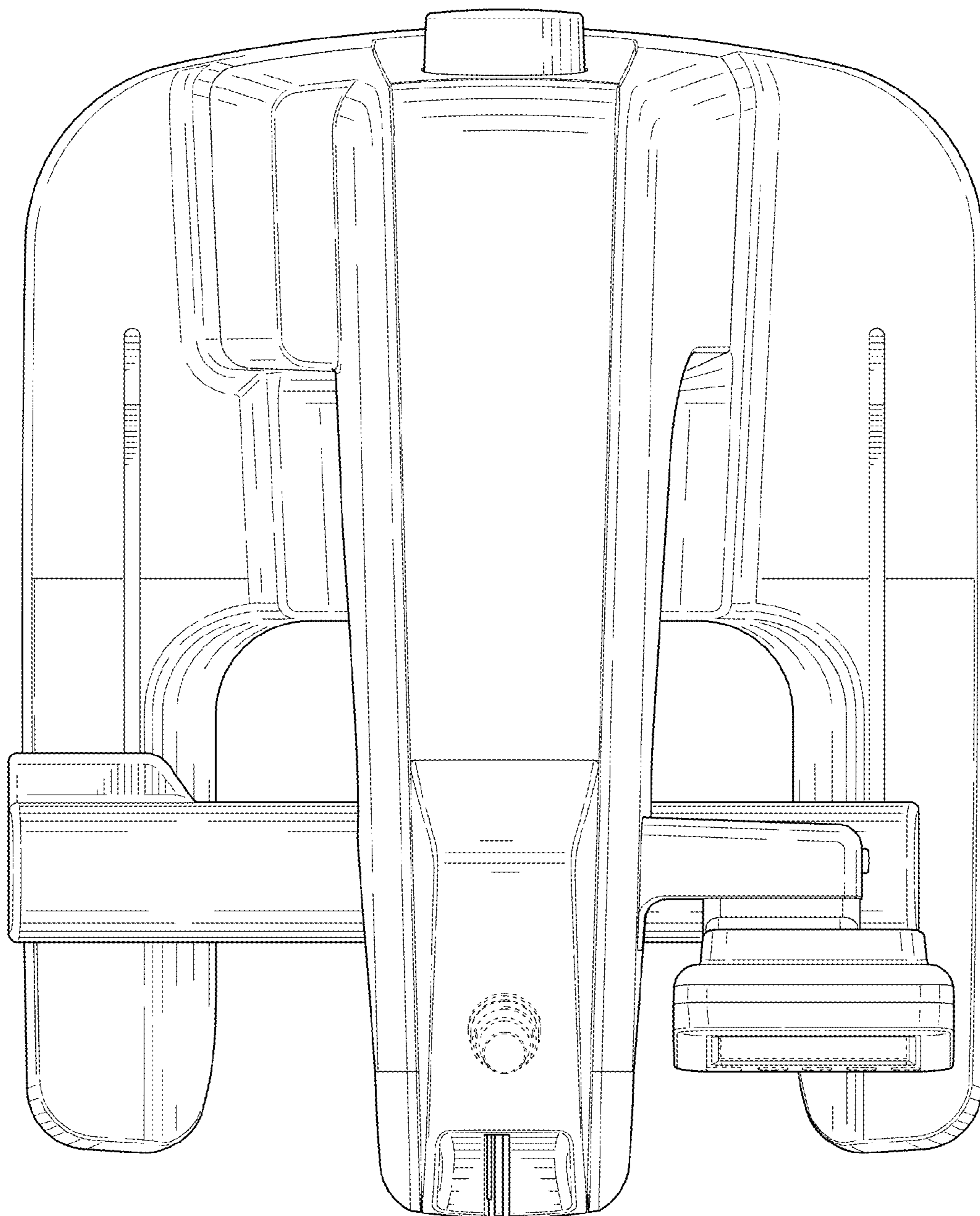


FIG. 3

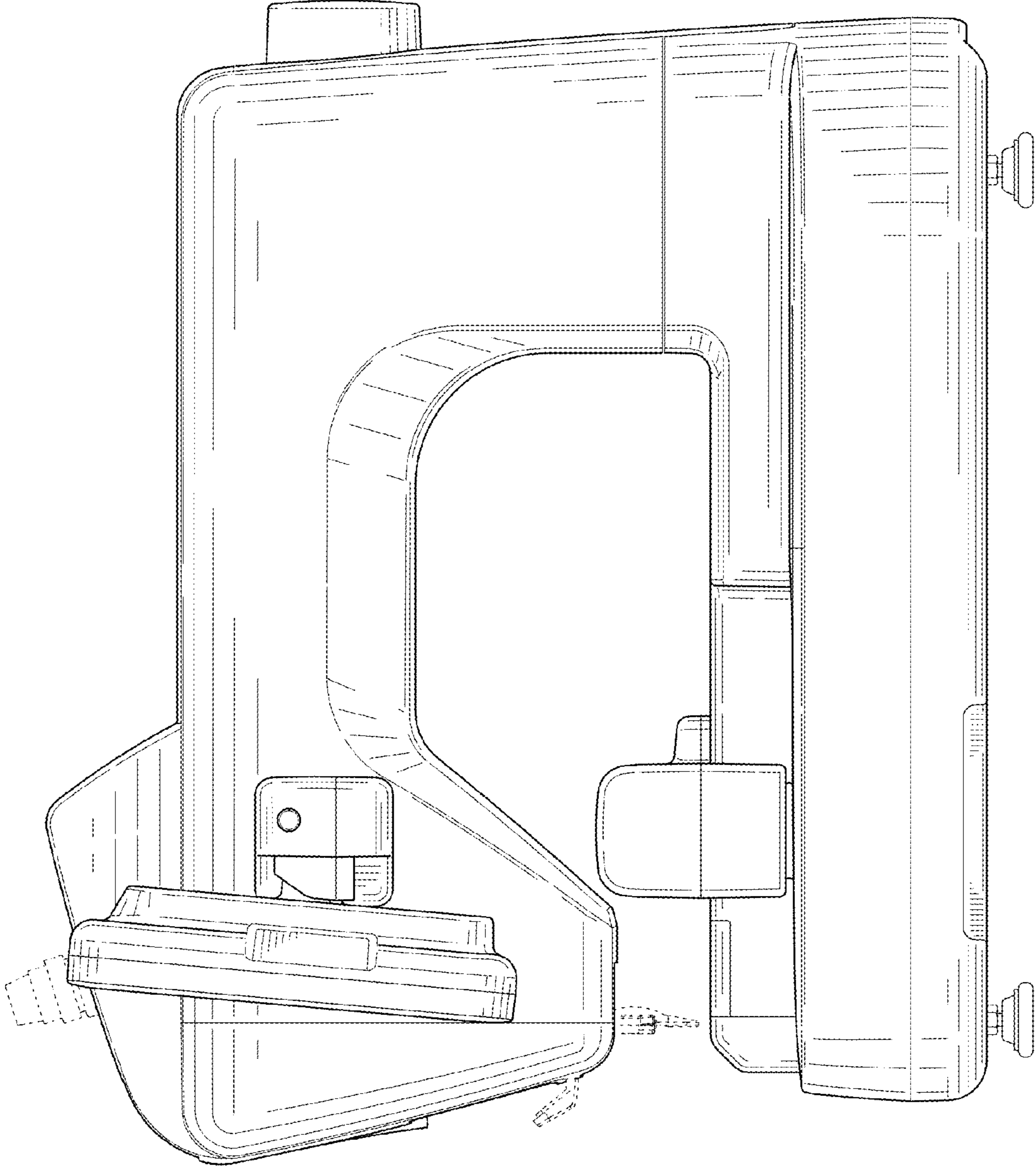


FIG. 4

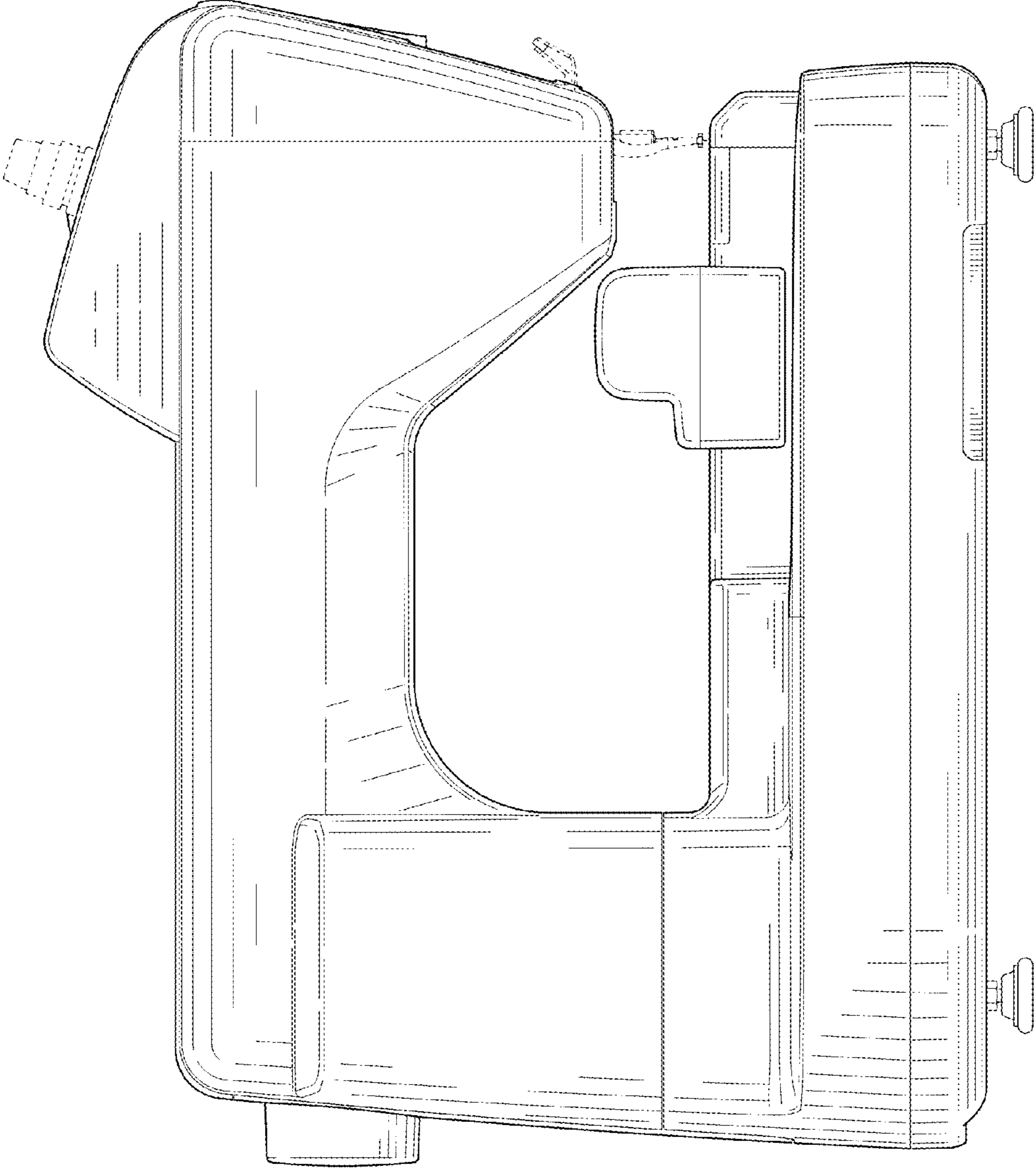


FIG. 5

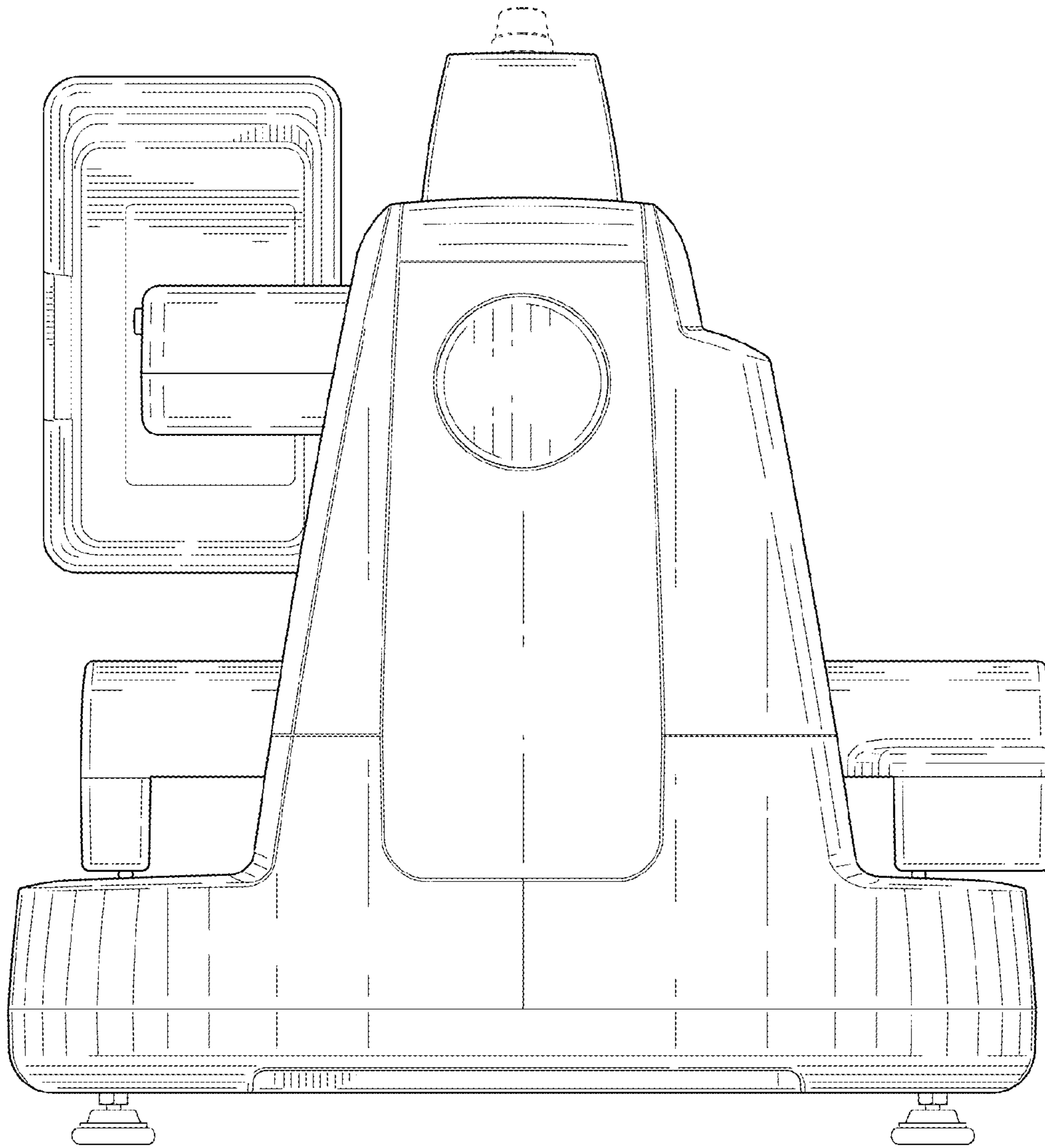


FIG. 6

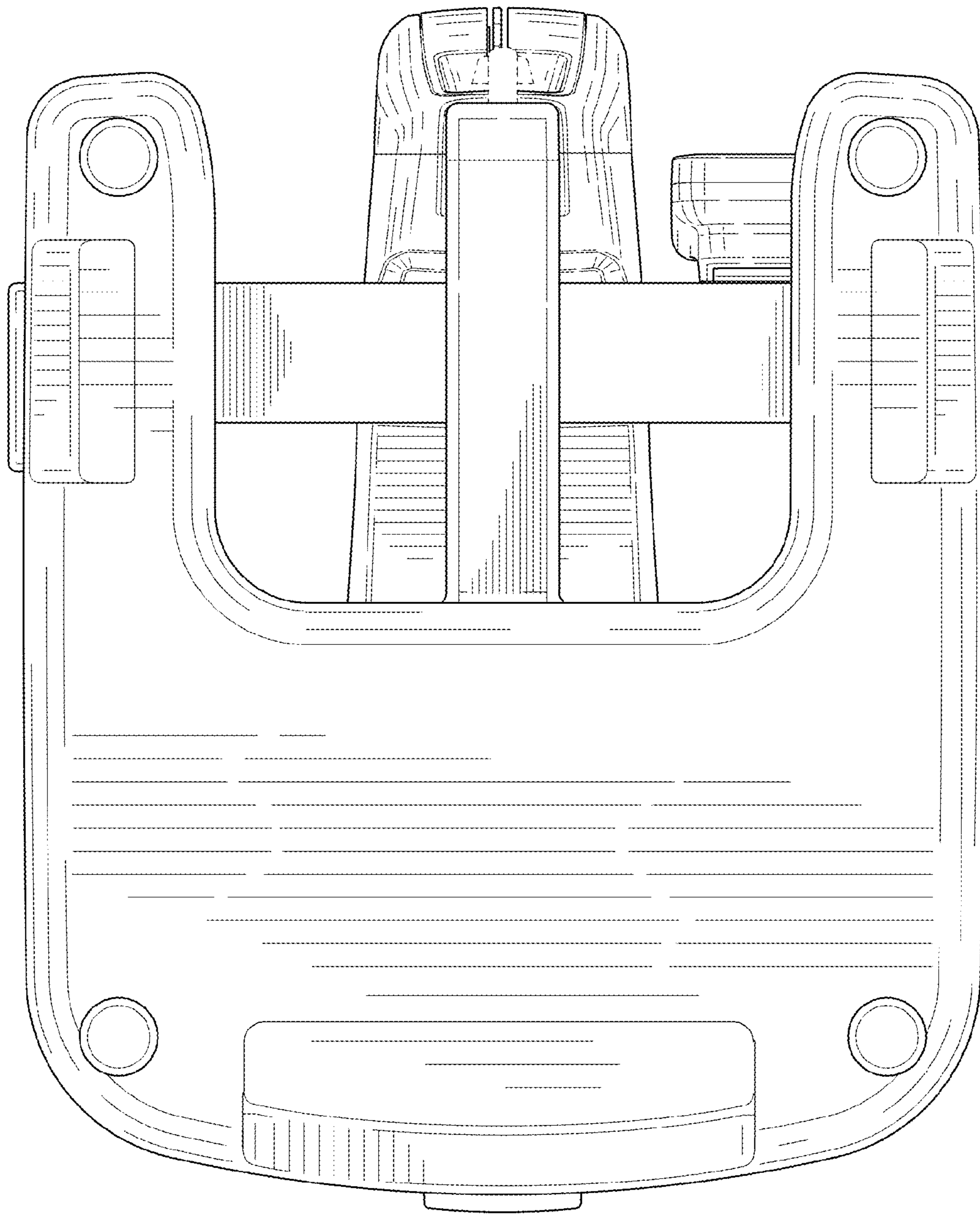


FIG. 7

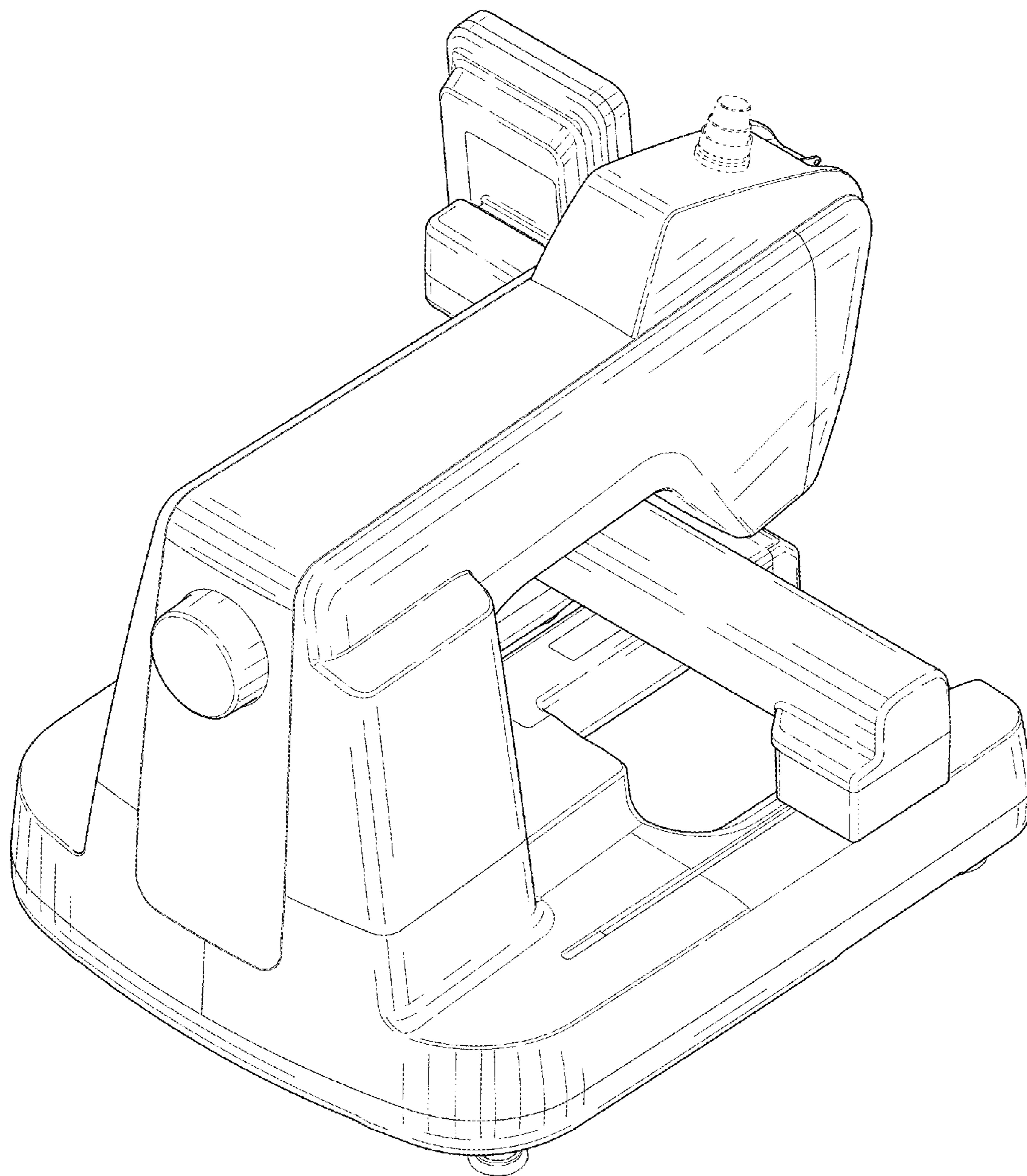


FIG. 8