



US00D740332S

(12) **United States Design Patent**  
**Denson et al.**

(10) **Patent No.:** **US D740,332 S**  
(45) **Date of Patent:** **\*\* Oct. 6, 2015**

- (54) **SPRING TINE**
- (71) Applicant: **AGCO Corporation**, Duluth, GA (US)
- (72) Inventors: **Shane Dalton Denson**, Buhler, KS (US);  
**Allen Joseph Kuhn**, Hesston, KS (US)
- (73) Assignee: **AGCO CORPORATION**, Duluth, GA (US)
- (\*\*) Term: **14 Years**
- (21) Appl. No.: **29/448,476**
- (22) Filed: **Mar. 12, 2013**
- (51) **LOC (10) Cl.** ..... **15-03**
- (52) **U.S. Cl.**  
USPC ..... **D15/29**
- (58) **Field of Classification Search**  
USPC ..... D15/28, 29; 56/400, 364; 172/572  
CPC ..... A01B 35/28  
See application file for complete search history.

7,073,317 B2 *	7/2006	Bright et al.	.....	56/400
7,934,365 B2 *	5/2011	Schumacher et al.	.....	56/400
8,051,636 B2 *	11/2011	McClure et al.	.....	56/364
8,584,439 B2 *	11/2013	Kuhn et al.	.....	56/364

\* cited by examiner

*Primary Examiner* — Robin V Webster

(57) **CLAIM**  
The ornamental design for a spring tine, as shown and described.

**DESCRIPTION**

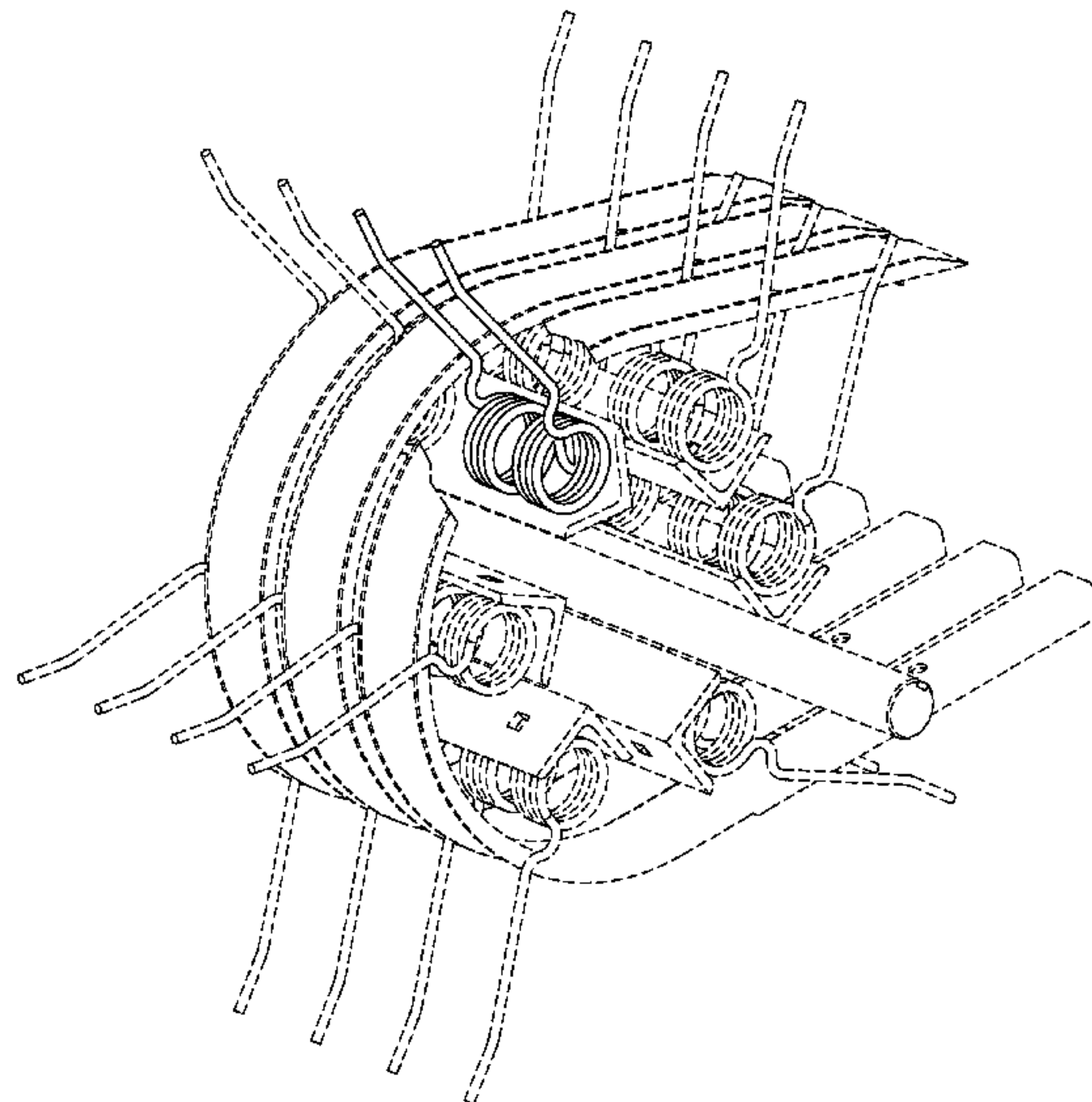
FIG. 1 is a perspective view of a spring tine embodying our design and being depicted as part of a pickup assembly of an agricultural implement for environmental purposes;  
 FIG. 2 is an enlarged perspective view of the spring tine as depicted in FIG. 1;  
 FIG. 3 is a side elevation view of the spring tine as depicted in FIGS. 1 and 2;  
 FIG. 4 is a perspective view of the spring tine shown in FIGS. 1-3, but with the other components of the pickup assembly being removed to show the spring tine alone;  
 FIG. 5 is a perspective view of the spring tine taken at a generally opposite angle than that shown in FIG. 4;  
 FIG. 6 is a bottom elevation view of the spring tine shown in FIGS. 1-5;  
 FIG. 7 is a side elevation view of the spring tine shown in FIGS. 1-6, with the opposite side elevation view being a mirror image thereof;  
 FIG. 8 is a top elevation view of the spring tine shown in FIGS. 1-7;  
 FIG. 9 is an end elevation view of the spring tine shown in FIGS. 1-7; and,  
 FIG. 10 is an end elevation view of the spring tine opposite that shown in FIG. 9.  
 The broken lines are directed to environment and/or are for illustrative purposes only. None of the broken lines form part of the claimed design.

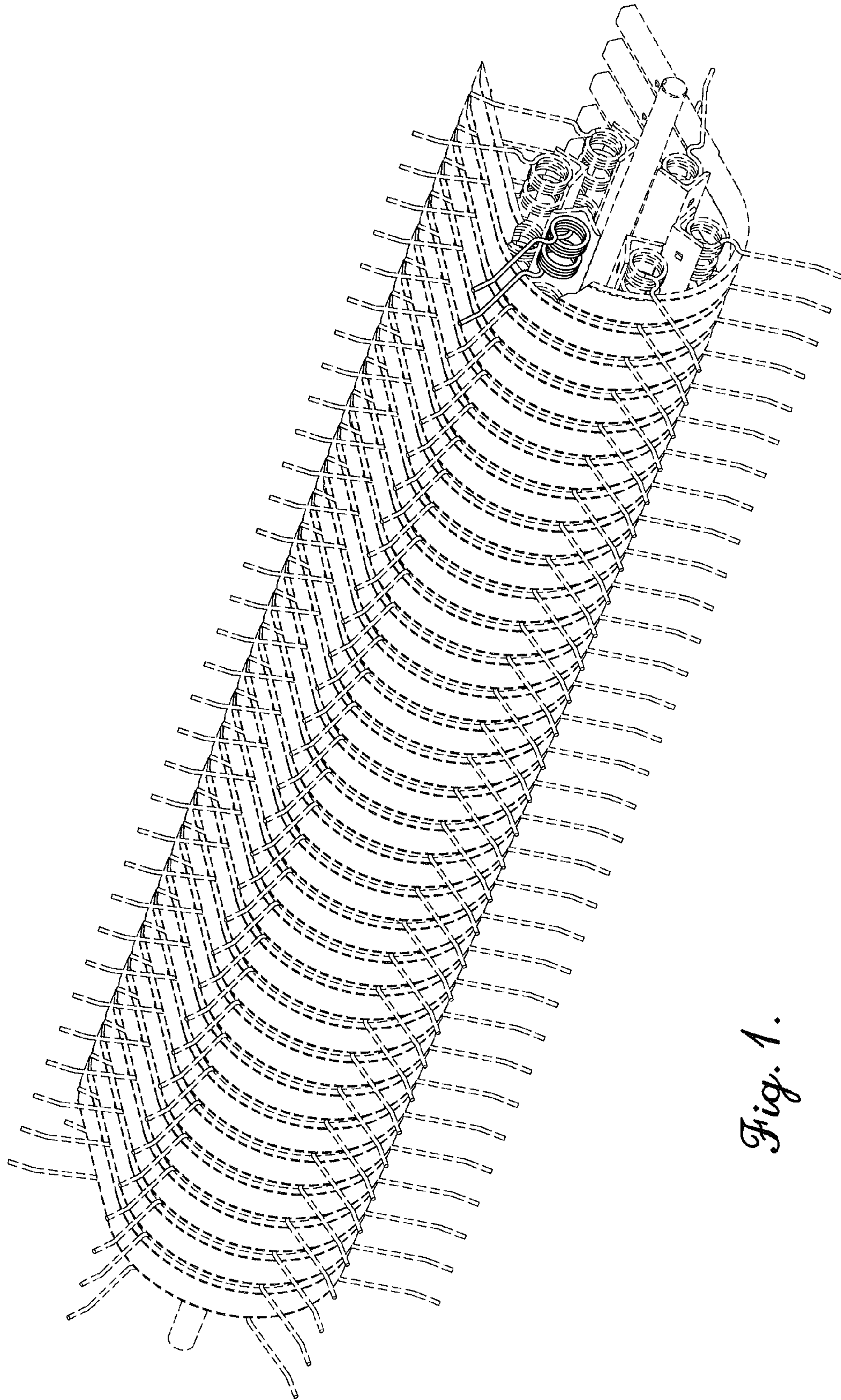
(56) **References Cited**

U.S. PATENT DOCUMENTS

1,497,526 A	6/1924	Martin	
2,036,807 A	4/1936	Honn	
2,514,560 A *	7/1950	Scranton	..... 56/400
2,714,796 A *	8/1955	Haupt et al.	..... 56/400
2,908,129 A	10/1959	Van Der Lely	
2,953,830 A *	9/1960	MacRae	..... 56/400
3,302,378 A *	2/1967	Rasmussen	..... 56/328.1
3,511,362 A	5/1970	Gaeddert et al.	
3,705,483 A	12/1972	Jarrell et al.	
4,145,866 A *	3/1979	Zweegers	..... 56/400
4,161,859 A	7/1979	Storm et al.	
D262,028 S *	11/1981	Johnson	..... D15/29
4,467,591 A	8/1984	Dynie	
4,606,180 A	8/1986	Archer	
5,042,243 A *	8/1991	Doering	..... 56/400
6,412,571 B1 *	7/2002	McIlhargey	..... 172/572

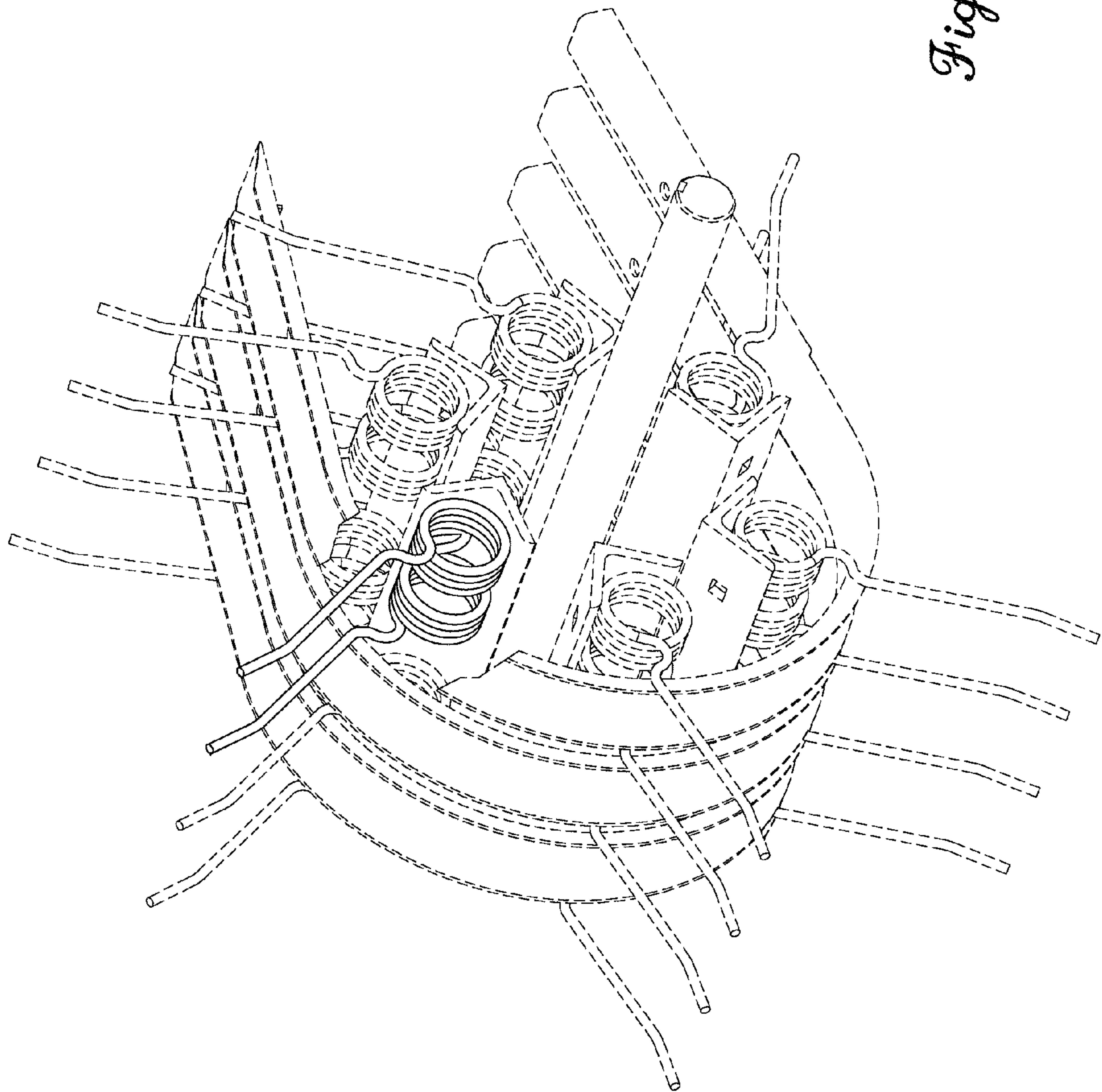
**1 Claim, 6 Drawing Sheets**



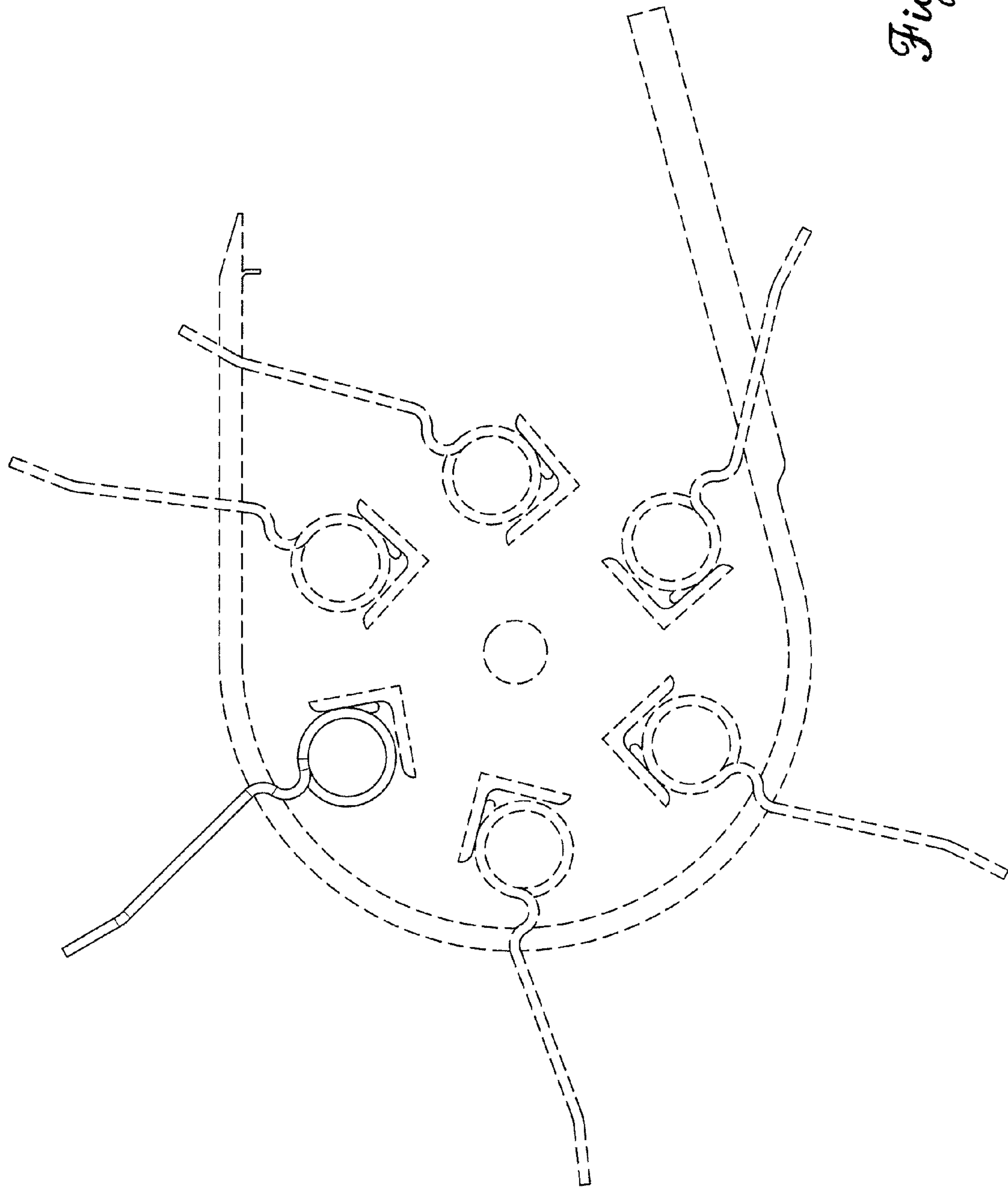


*Fig. 1.*

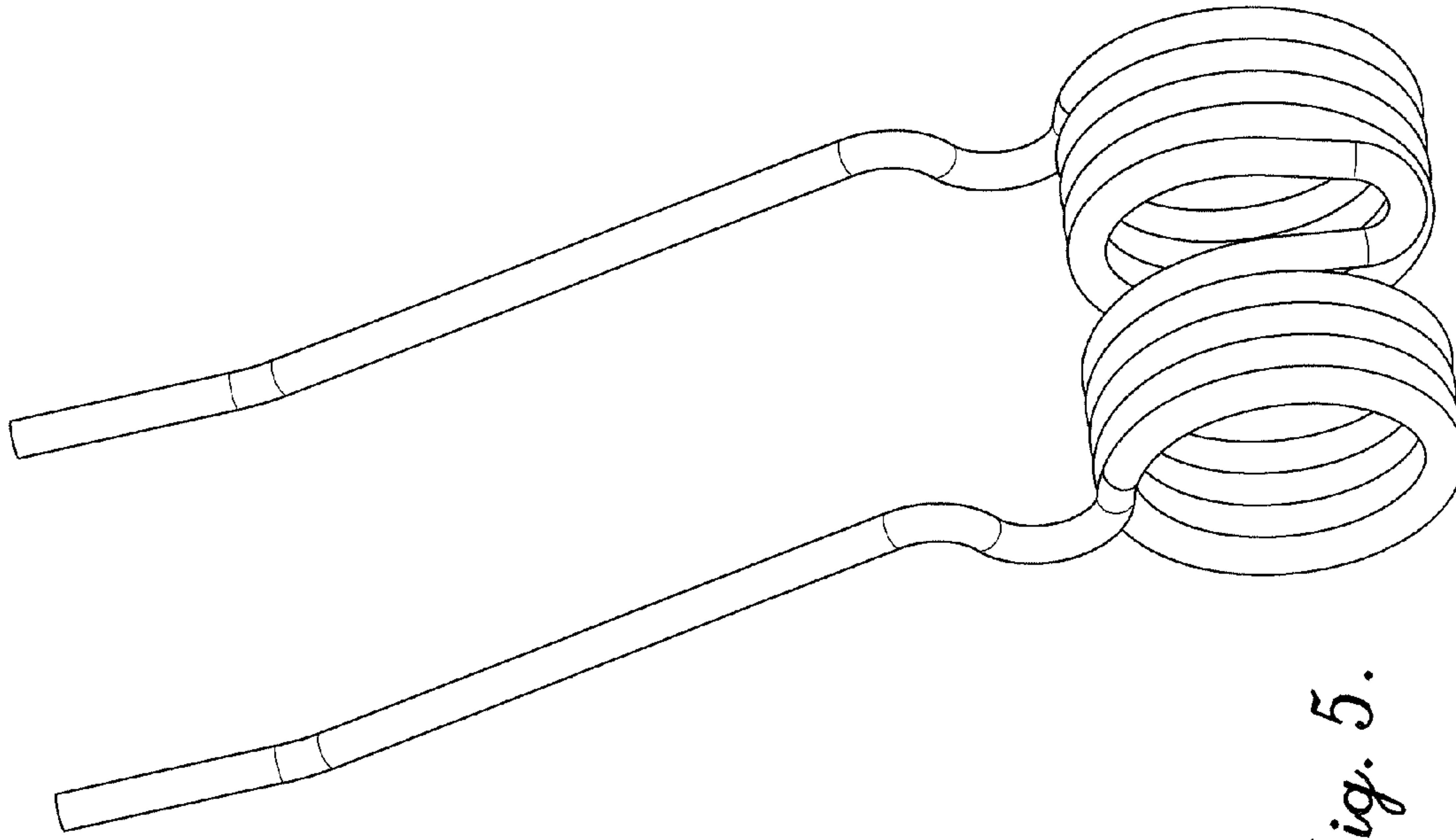




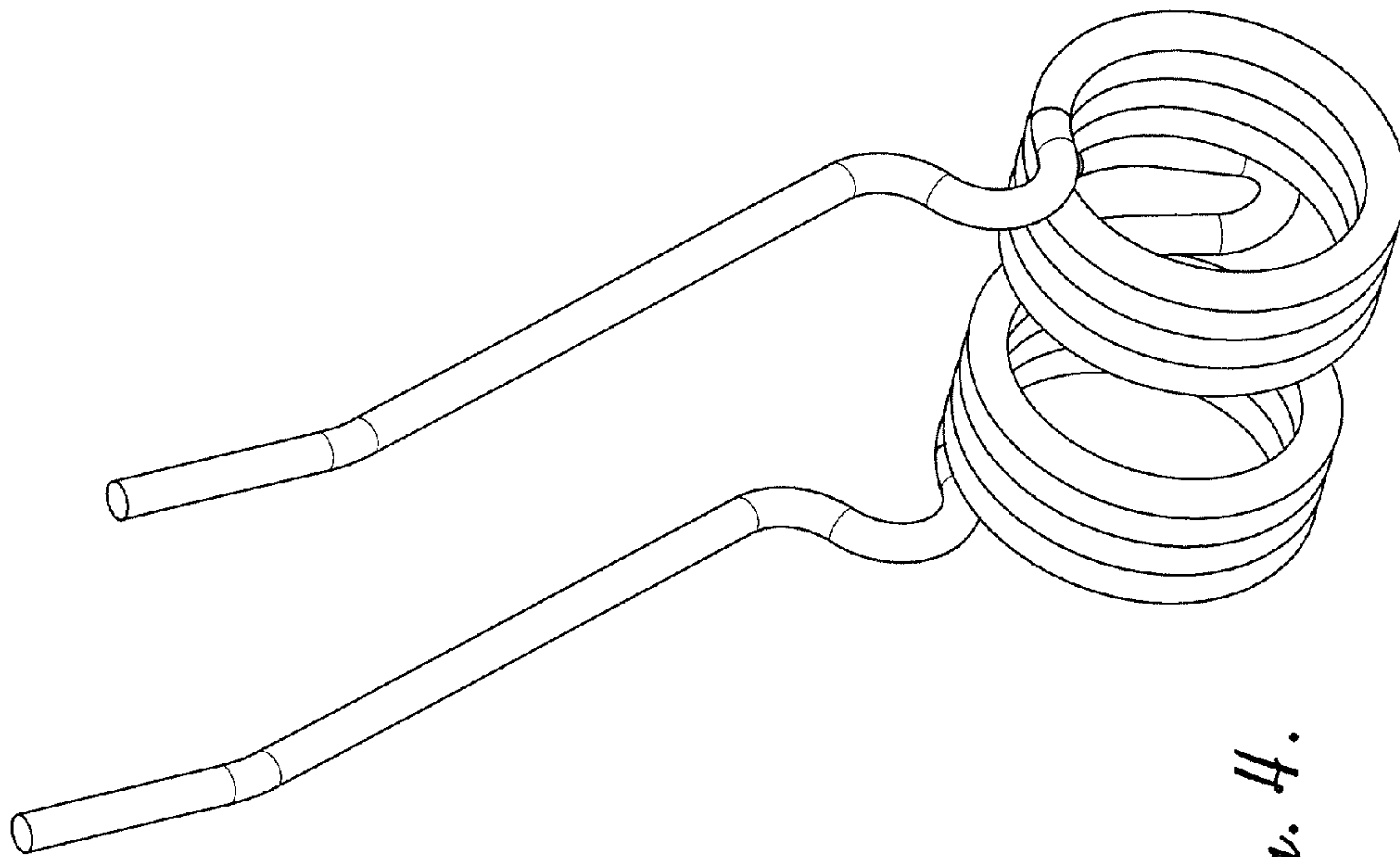
*Fig. 2.*



*Fig. 3.*

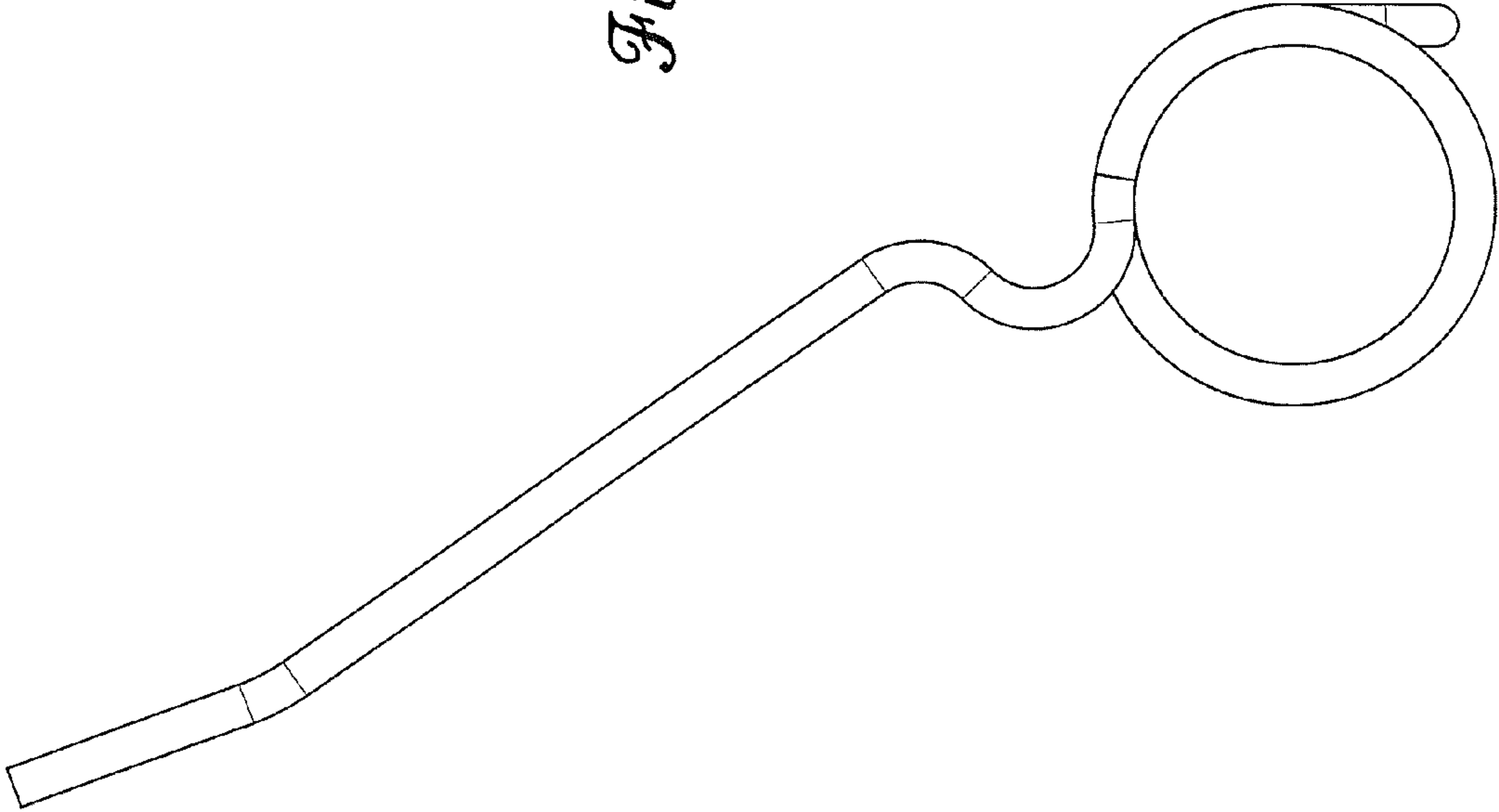


*Fig. 5.*

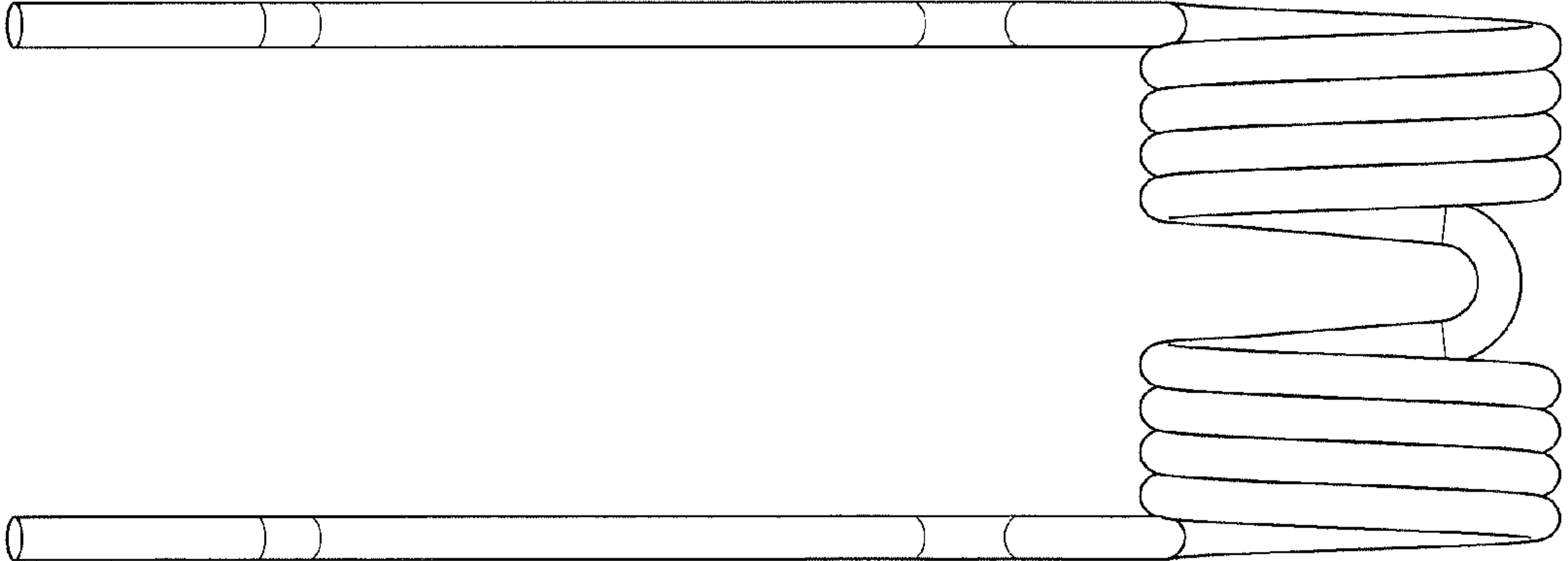


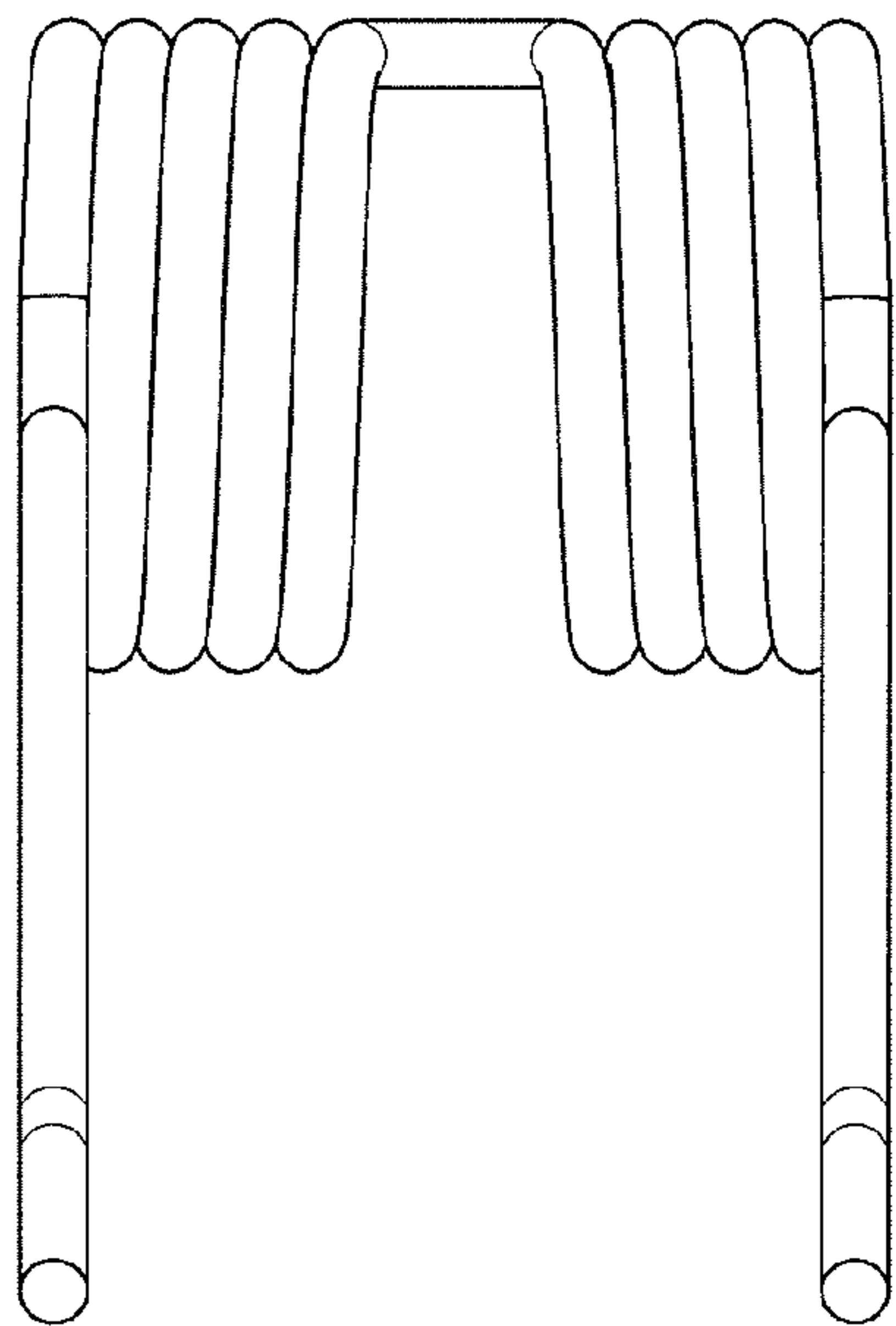
*Fig. 4.*

*Fig. 7.*

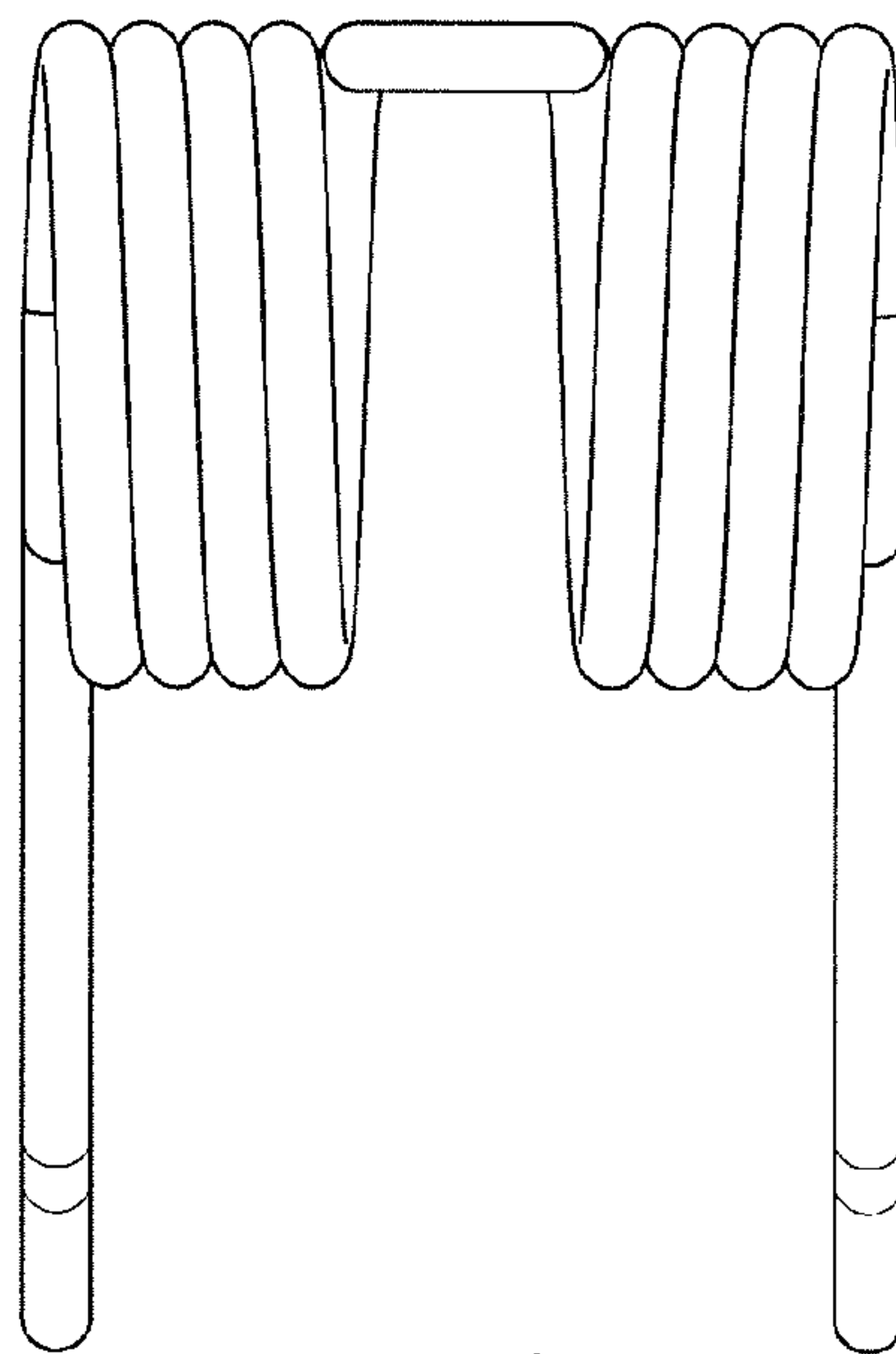


*Fig. 6.*

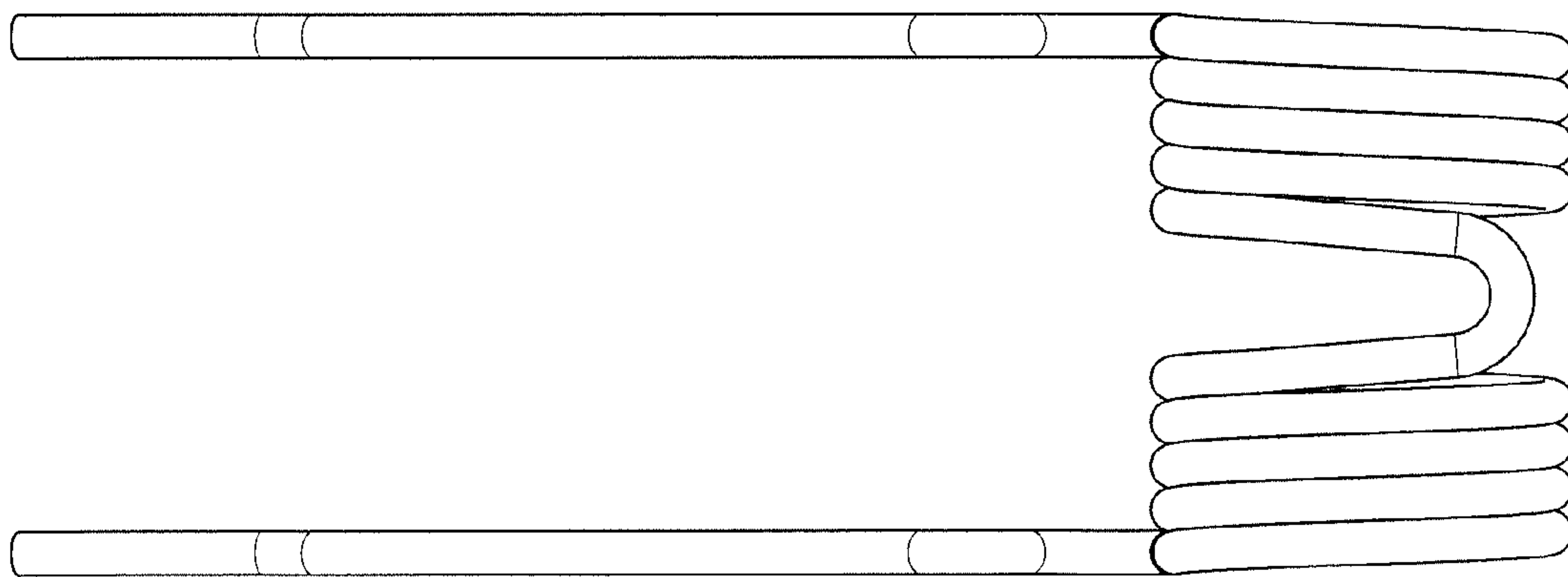




*Fig. 9.*



*Fig. 10.*



*Fig. 8.*