



US00D740331S

(12) **United States Design Patent**
Mikkola

(10) **Patent No.:** **US D740,331 S**
(45) **Date of Patent:** **** Oct. 6, 2015**

(54) **DREDGER**
(75) Inventor: **Toni Mikkola, Sakyla (FI)**
(73) Assignee: **LÄNNEN MCE OY (FI)**
(**) Term: **14 Years**
(21) Appl. No.: **29/431,890**
(22) Filed: **Sep. 12, 2012**
(51) **LOC (10) Cl.** **15-03**
(52) **U.S. Cl.**
USPC **D15/10**
(58) **Field of Classification Search**
USPC D15/10, 21; 210/242.3, 923; 37/312,
37/317, 320, 341, 346
CPC E02F 5/006; E02F 5/285; E02F 9/18;
E02F 9/062; E02F 9/06
See application file for complete search history.

4,505,214	A *	3/1985	Tjebbes et al.	114/29
4,750,279	A *	6/1988	Hofland	37/313
5,044,827	A *	9/1991	Gray et al.	405/173
5,060,404	A *	10/1991	Lipford	37/326
5,146,699	A *	9/1992	Lipford	37/319
5,269,635	A *	12/1993	Taylor, Jr.	406/10
5,300,219	A *	4/1994	Braid	210/122
5,311,682	A *	5/1994	Sturdivant	37/312
6,024,145	A *	2/2000	Ackles	144/382
6,125,560	A *	10/2000	Beaumont	37/344
6,374,519	B1 *	4/2002	Beaumont	37/307
6,625,907	B2 *	9/2003	Murray et al.	37/332
7,143,532	B2 *	12/2006	Lowry	37/345
7,694,441	B2 *	4/2010	Clymans	37/327
2002/0059740	A1 *	5/2002	Murray et al.	37/317
2002/0104238	A1 *	8/2002	Ollinger	37/327
2003/0154634	A1 *	8/2003	Thomas	37/307
2006/0236566	A1 *	10/2006	Clymans	37/343
2008/0008546	A1 *	1/2008	Dietens et al.	408/18
2009/0241383	A1 *	10/2009	Zandee et al.	37/320

* cited by examiner

Primary Examiner — Mark Goodwin

(74) *Attorney, Agent, or Firm* — Galbreath Law Offices,
P.C.; John A. Galbreath

(56) **References Cited**

U.S. PATENT DOCUMENTS

1,408,498	A *	3/1922	Brown et al.	37/331
1,759,490	A *	5/1930	Neveling	37/322
1,821,177	A *	9/1931	Ellis	37/327
3,512,281	A *	5/1970	Hadjidakis	37/308
3,603,643	A *	9/1971	Hirota et al.	299/9
3,650,238	A *	3/1972	Stockdale	114/249
3,739,503	A *	6/1973	Barker et al.	37/308
3,772,805	A *	11/1973	De Koning	37/308
3,909,416	A *	9/1975	In't Veld	210/242.2
3,919,790	A *	11/1975	Sasaki et al.	37/329
3,975,842	A *	8/1976	Andreae	37/322
4,023,518	A *	5/1977	Fahrner	114/244
4,102,064	A *	7/1978	Pot	37/310
4,242,816	A *	1/1981	Jeanson	37/331
4,267,652	A *	5/1981	Senesac	37/329
4,365,427	A *	12/1982	Chapman, Jr.	37/327
4,394,265	A *	7/1983	van Drimmelen et al.	210/242.3
4,403,428	A *	9/1983	Chapman et al.	37/319
4,485,569	A *	12/1984	Matsumae et al.	37/346

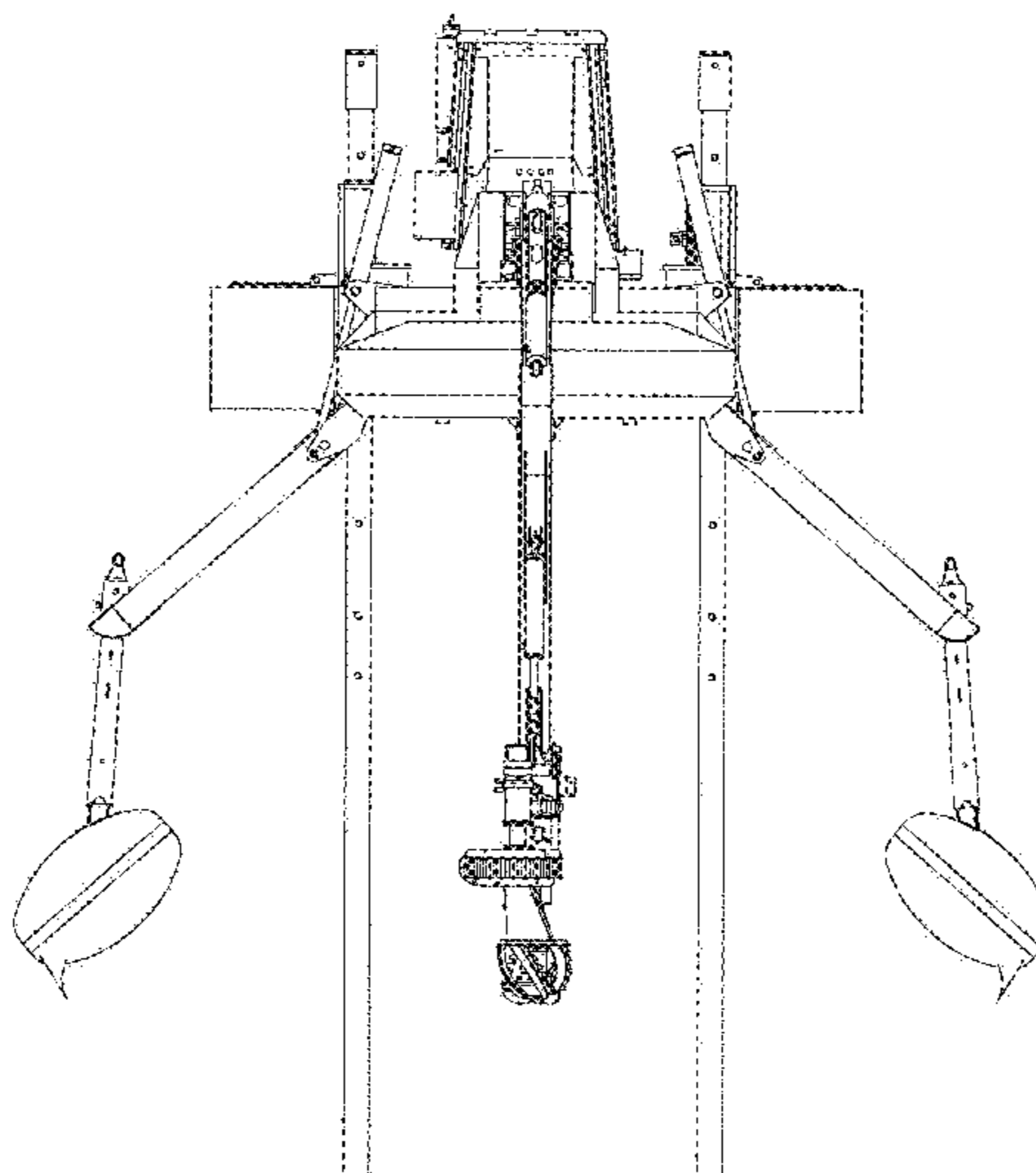
(57) **CLAIM**

The ornamental design for a dredger, as shown and described.

DESCRIPTION

FIG. 1 is a front view of a dredger showing my new design;
FIG. 2 is a top plan view thereof;
FIG. 3 is a left perspective view thereof;
FIG. 4 is another left perspective view thereof with the boom
and front legs raised; and,
FIG. 5 is a right side view thereof.
The bottom view and rear view forms no part of the claimed
design.
The portions of the dredger that are shown in broken lines in
the drawings are for illustrative purposes only and do not form
part of the claimed design.

1 Claim, 5 Drawing Sheets



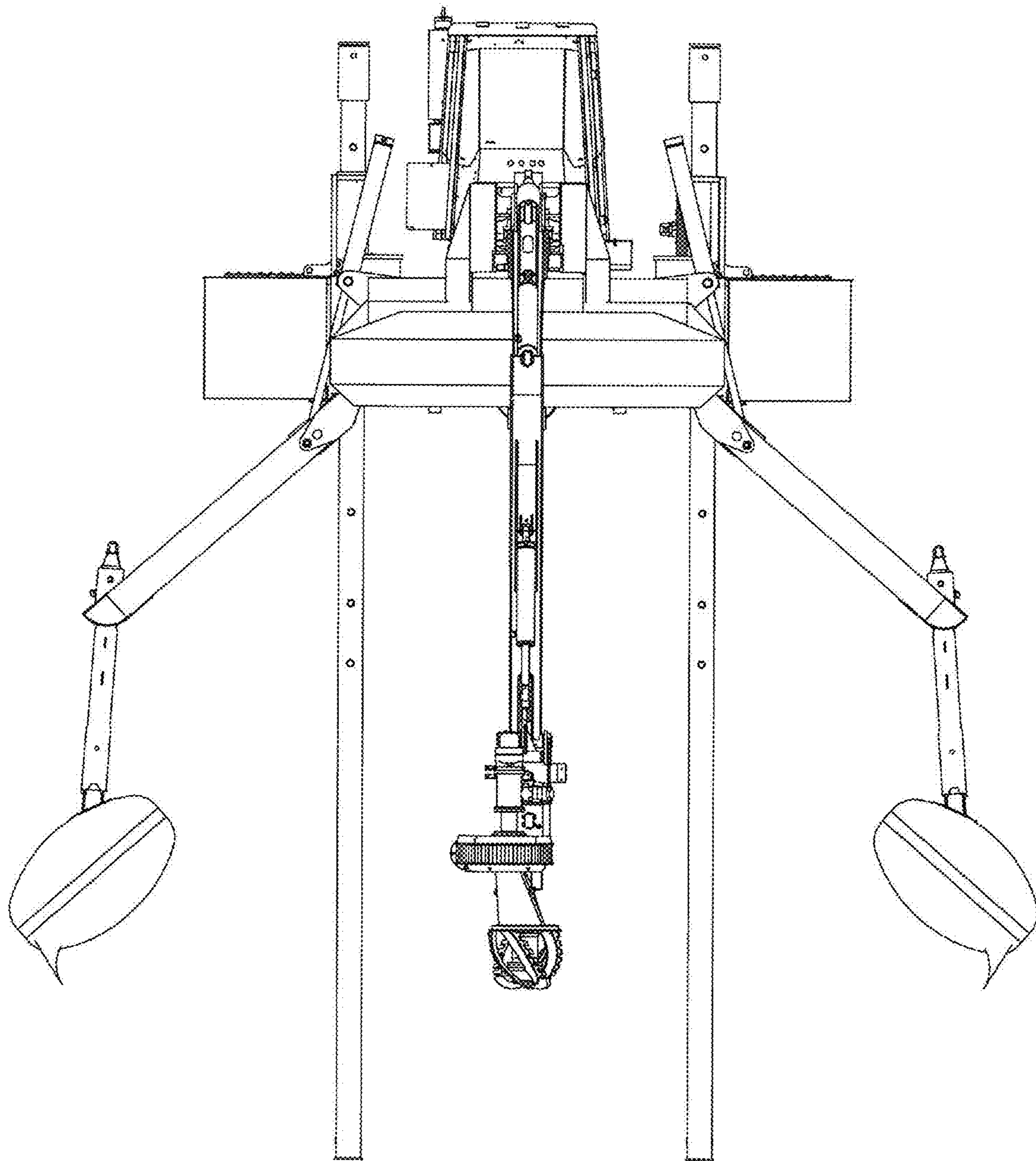


Fig. 1

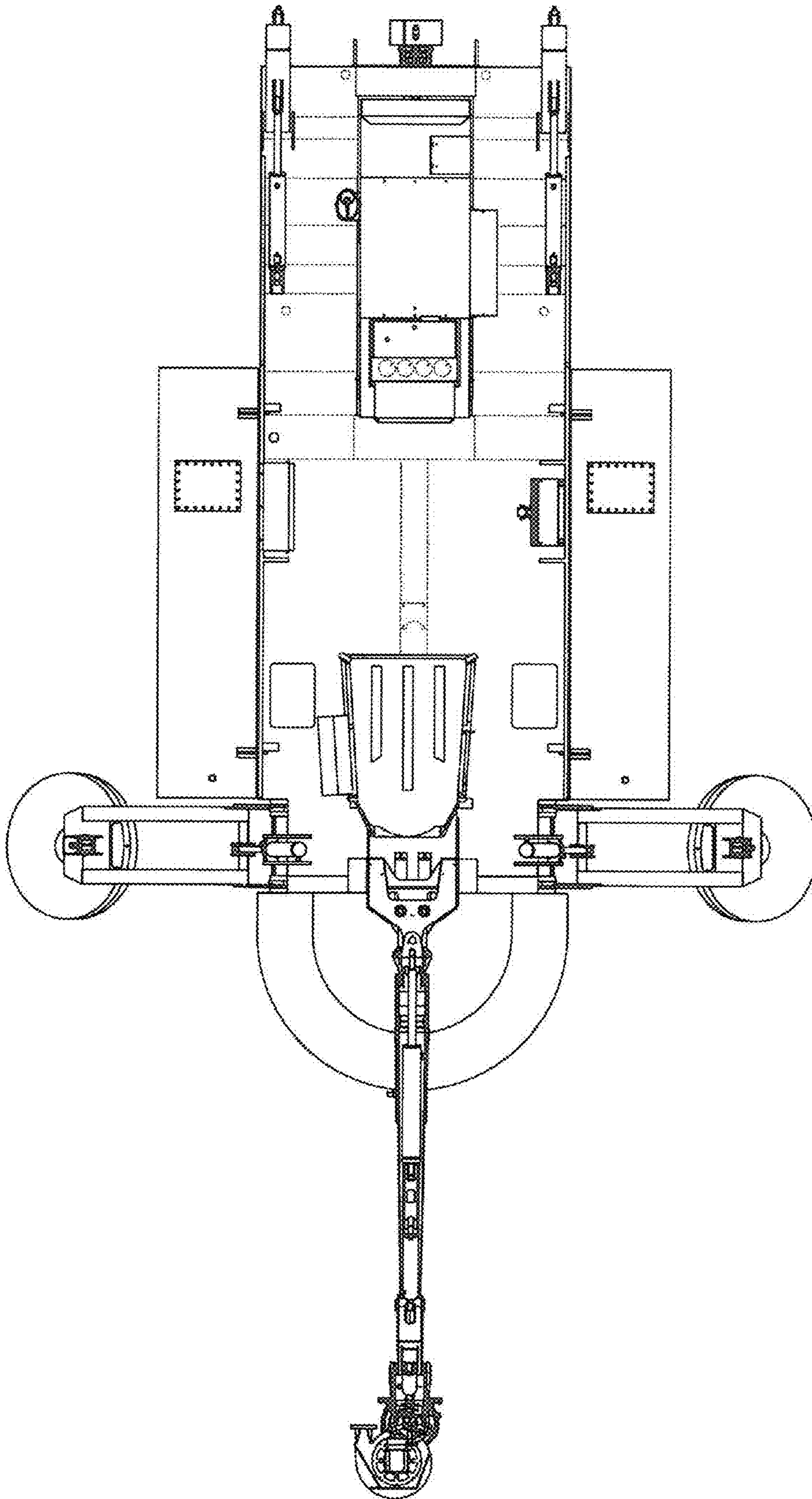


Fig. 2

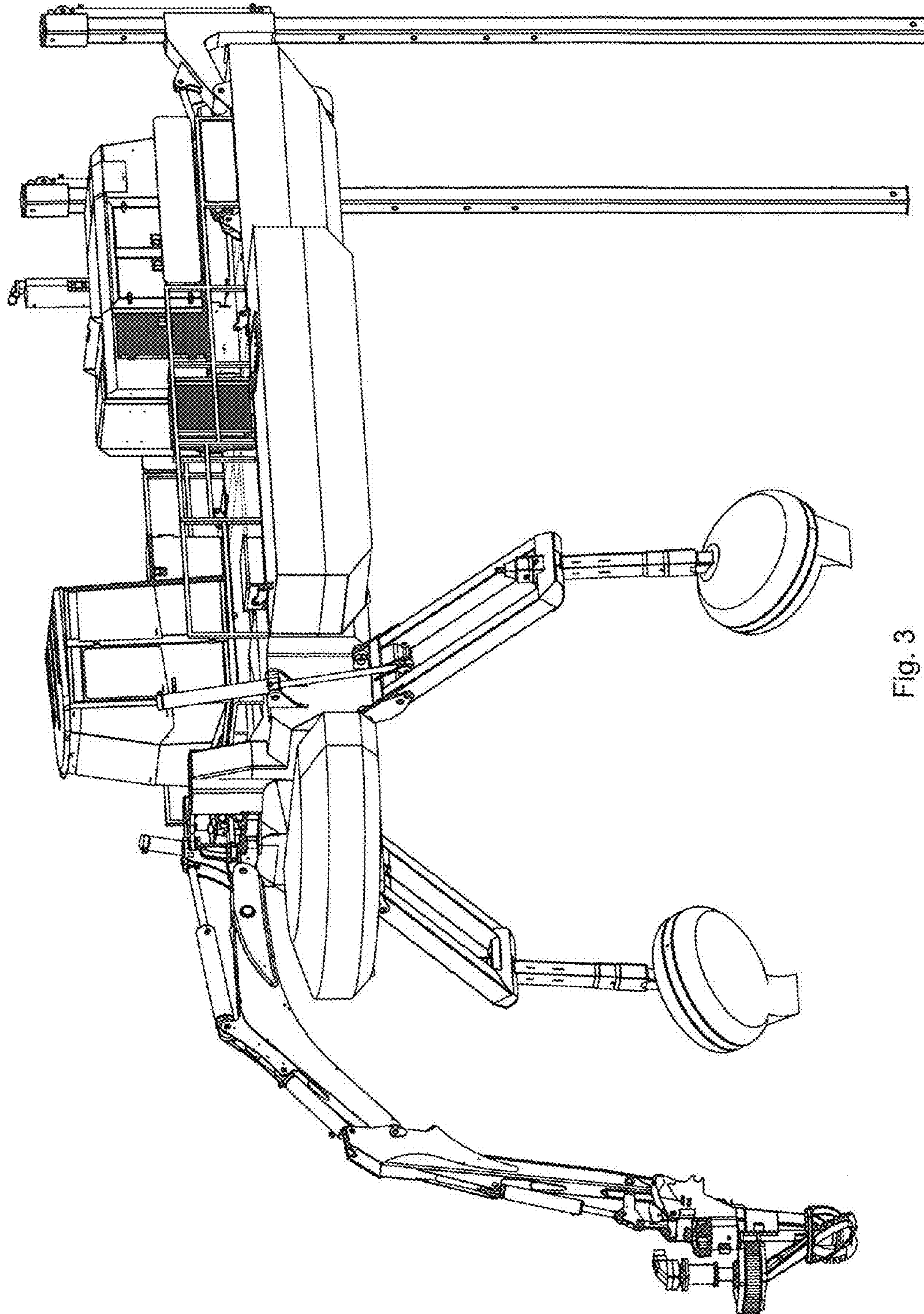


Fig. 3

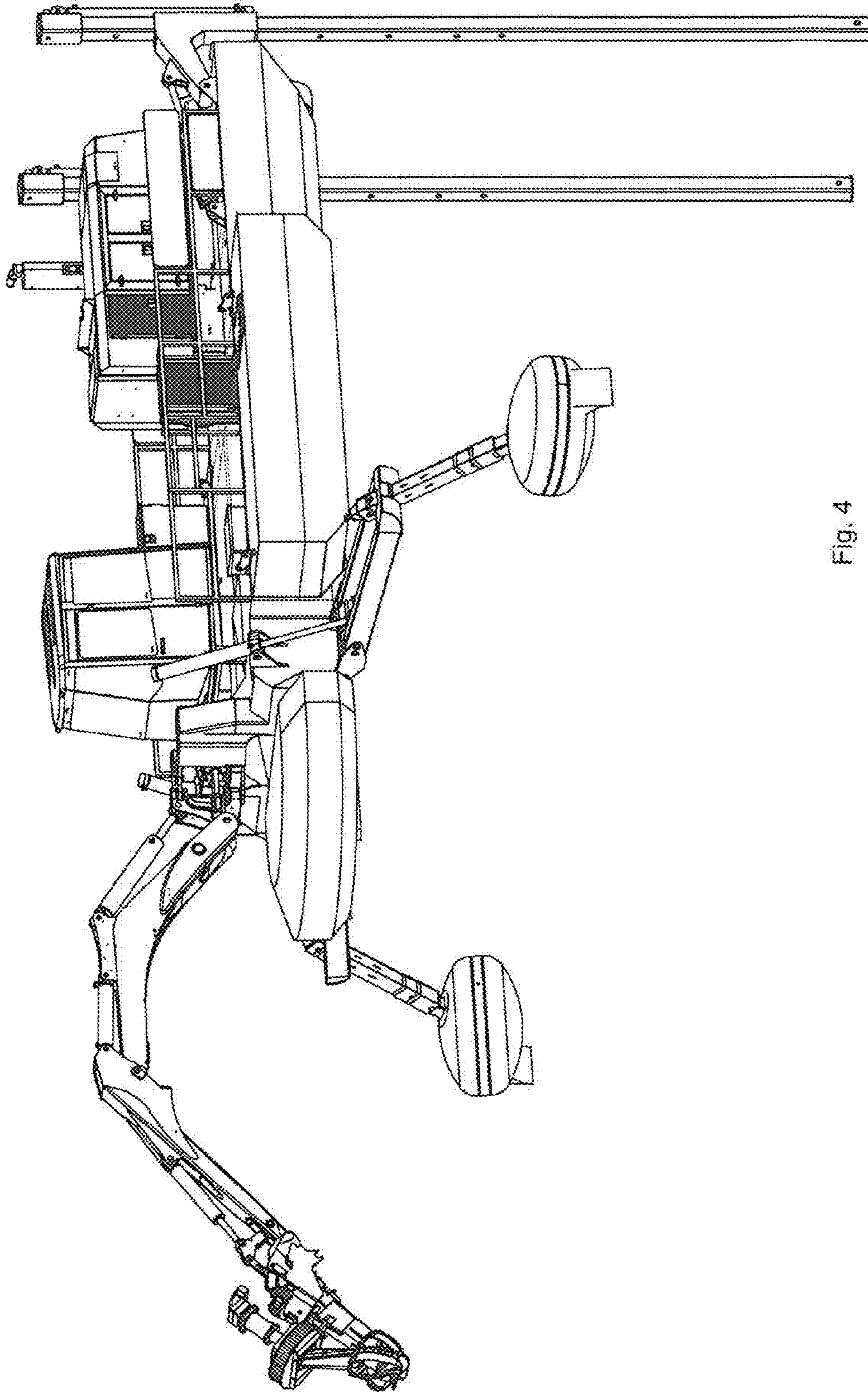


Fig. 4

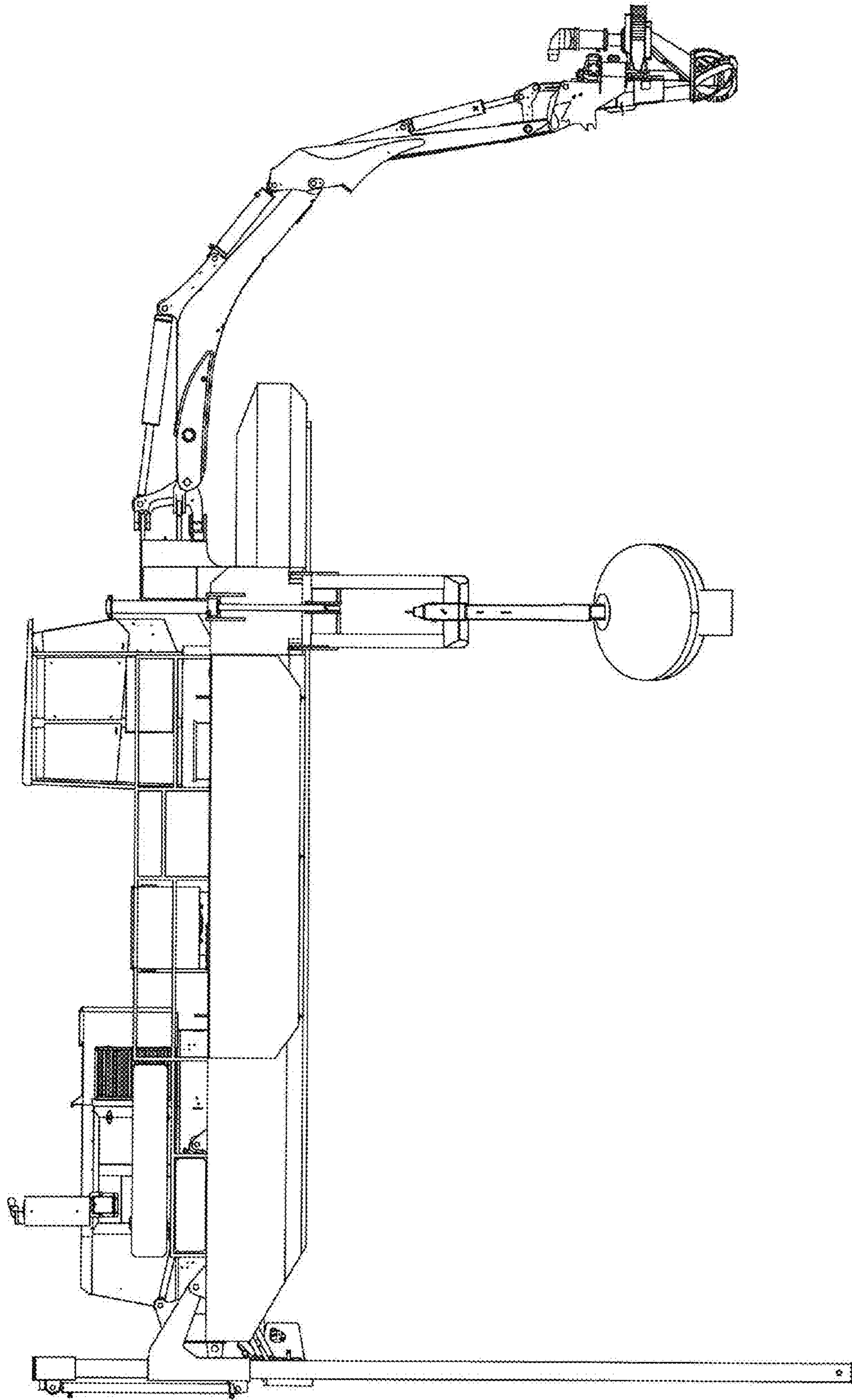


Fig. 5