



US00D740329S

(12) **United States Design Patent**  
**Gilbert et al.**

(10) **Patent No.:** **US D740,329 S**

(45) **Date of Patent:** **\*\* Oct. 6, 2015**

(54) **DIRECT CURRENT SUMP PUMP**

(71) Applicant: **ZOELLER PUMP COMPANY, LLC**,  
Louisville, KY (US)

(72) Inventors: **Dave Gilbert**, Louisville, KY (US);  
**Anthony Hunchman**, Floyds Knobs, IN  
(US)

(73) Assignee: **ZOELLER PUMP COMPANY, LLC**,  
Louisville, KY (US)

(\*\*) Term: **14 Years**

(21) Appl. No.: **29/506,476**

(22) Filed: **Oct. 16, 2014**

(51) **LOC (10) Cl.** ..... **15-02**

(52) **U.S. Cl.**  
USPC ..... **D15/7**

(58) **Field of Classification Search**  
USPC ..... D15/7-9; D23/231, 232, 225; 417/60,  
417/235, 265, 321, 355, 358, 363, 359,  
417/410.1, 415-416, 405, 900, 491, 53,  
417/254; 60/408, 412; 184/26-37;  
415/140-147; 123/495, 509; D24/111  
CPC ..... F04B 25/00; F04B 35/00; F04B 37/00;  
F04B 39/00; F04B 27/00; F04B 19/20  
See application file for complete search history.

(56) **References Cited**

U.S. PATENT DOCUMENTS

D227,168 S	6/1973	Chase et al.	
D227,934 S *	7/1973	Campbell	D15/7
D229,783 S *	1/1974	Campbell	D15/7
D236,756 S *	9/1975	Franzen	D15/7

D237,011 S *	9/1975	Stroberg	D15/7
D268,412 S *	3/1983	Davis et al.	D15/7
D289,402 S *	4/1987	Carlson et al.	D15/7
D351,602 S	10/1994	Rosebraugh et al.	
D443,881 S	6/2001	Tsai	
D466,527 S *	12/2002	Graber et al.	D15/9
D500,770 S *	1/2005	Pohler	D15/7
D558,233 S *	12/2007	Itani	D15/7
D565,600 S *	4/2008	Tazioli	D15/7
D590,420 S *	4/2009	Casalini	D15/7
D623,201 S *	9/2010	Yu	D15/7
D649,164 S *	11/2011	Cook	D15/7
D677,702 S *	3/2013	O'Shea	D15/7
D678,338 S *	3/2013	O'Shea	D15/7
D693,371 S *	11/2013	Orsini	D15/7
D700,213 S *	2/2014	Taniguchi et al.	D15/7
D700,214 S *	2/2014	Taniguchi et al.	D15/7
D700,624 S *	3/2014	Taniguchi et al.	D15/7

\* cited by examiner

*Primary Examiner* — Ralf Seifert

(74) *Attorney, Agent, or Firm* — Scott R. Cox

(57) **CLAIM**

The ornamental design for a direct current sump pump, as shown and described.

**DESCRIPTION**

FIG. 1 is a perspective view of the top, front and right side of the sump pump;

FIG. 2 is a front elevation view of the sump pump;

FIG. 3 is a right side elevation view of the sump pump;

FIG. 4 is a rear elevation view of the sump pump;

FIG. 5 is a left side elevation view of the sump pump;

FIG. 6 is a top plan view of the sump pump; and,

FIG. 7 is a view looking upwardly at the sump pump from below.

**1 Claim, 7 Drawing Sheets**

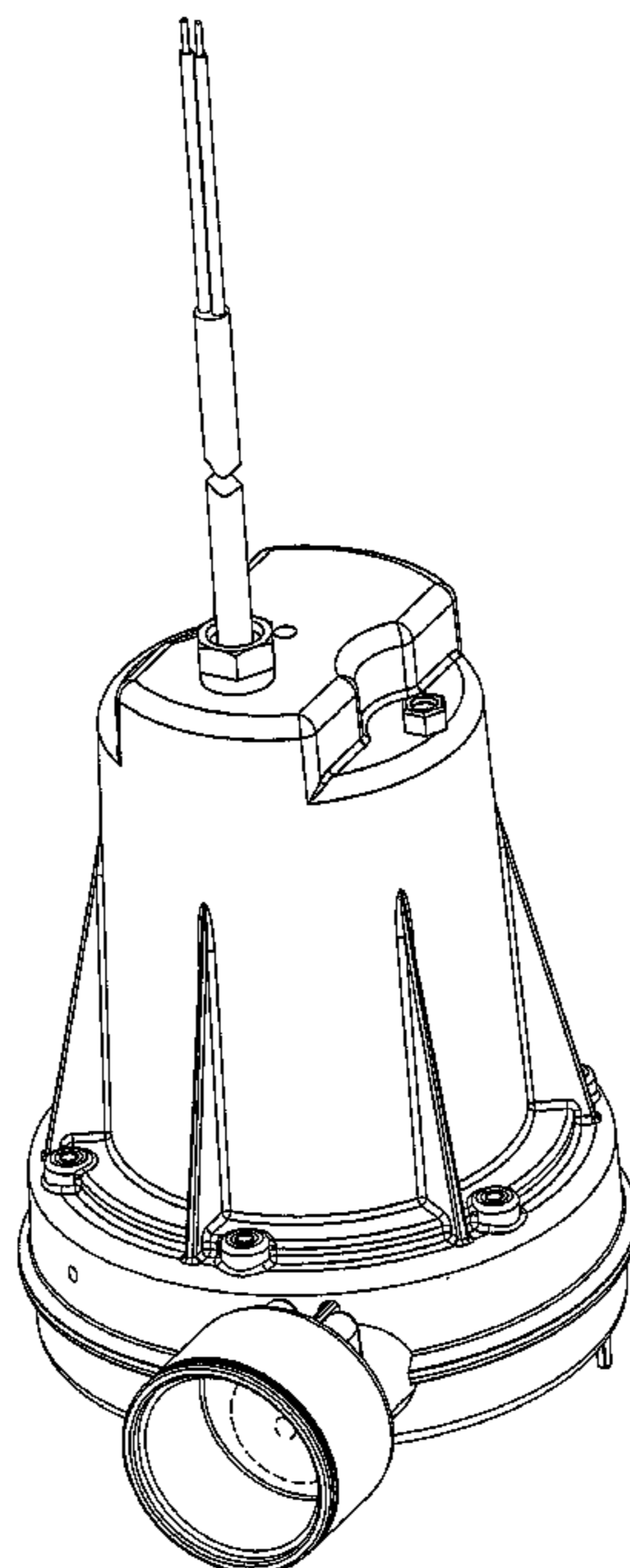


FIGURE 1

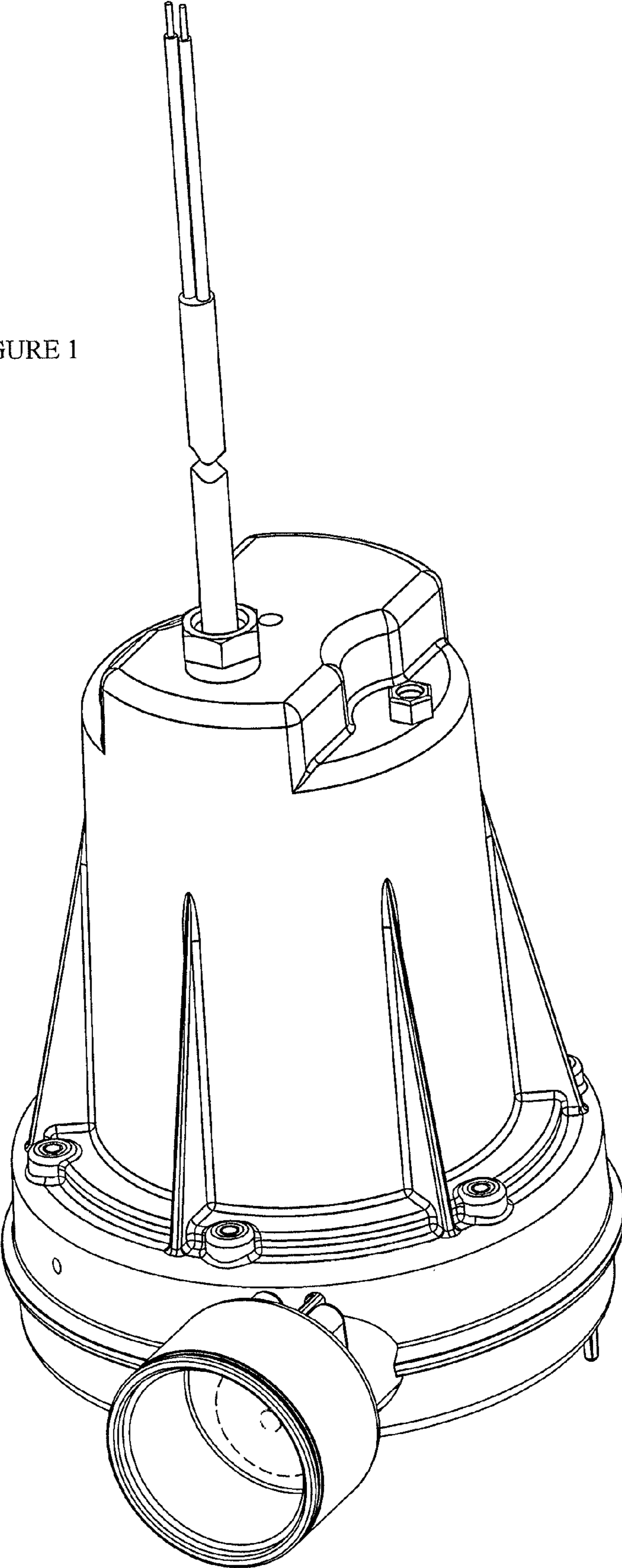


FIGURE 2

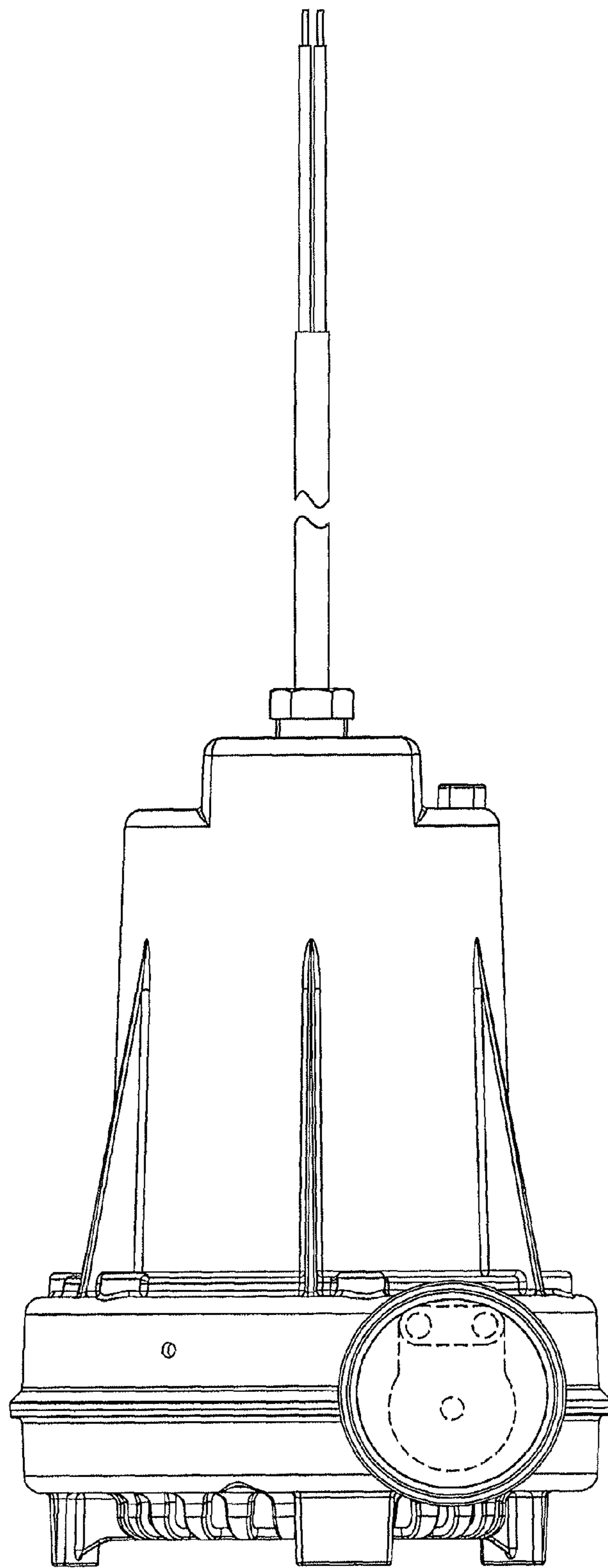


FIGURE 3

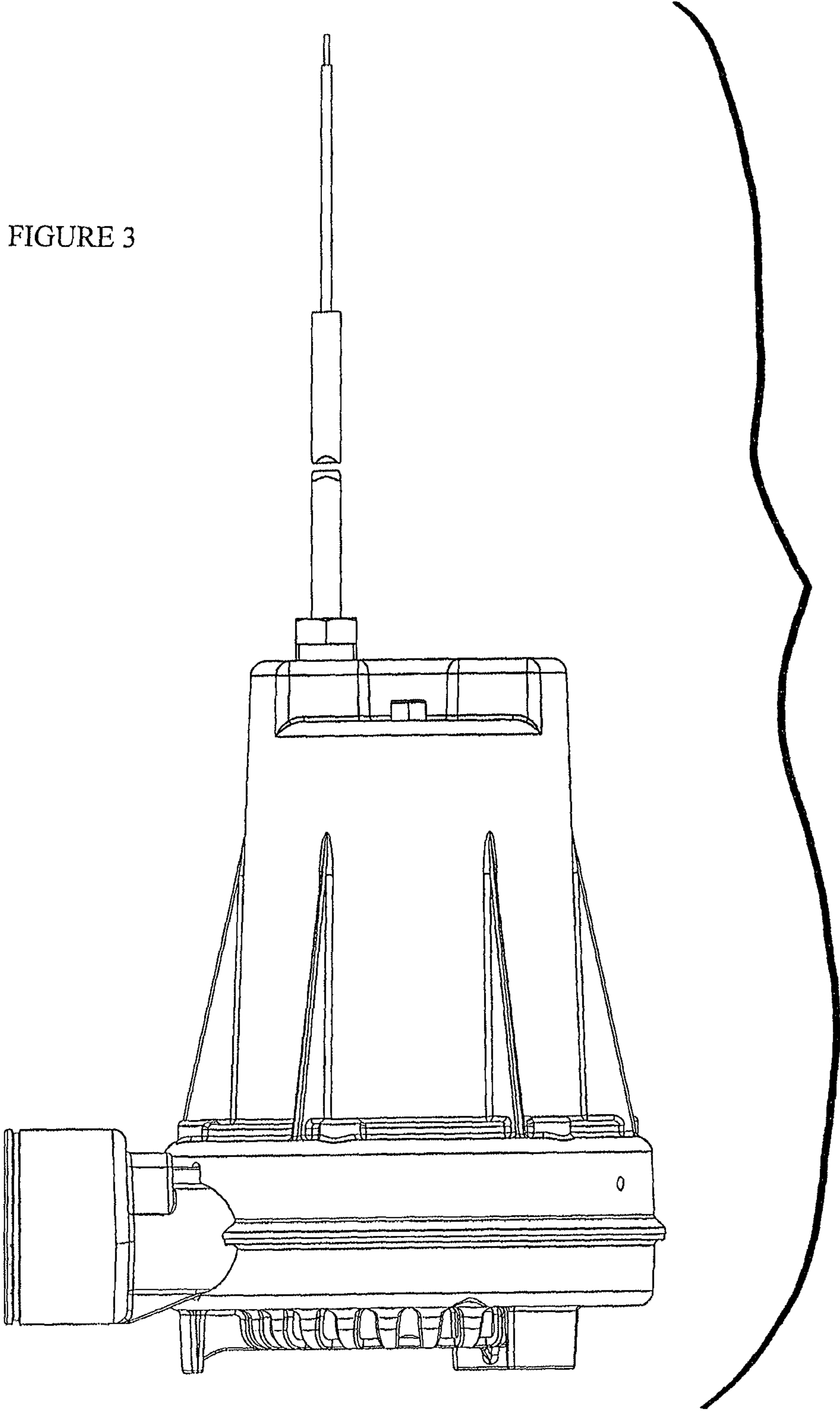


FIGURE 4

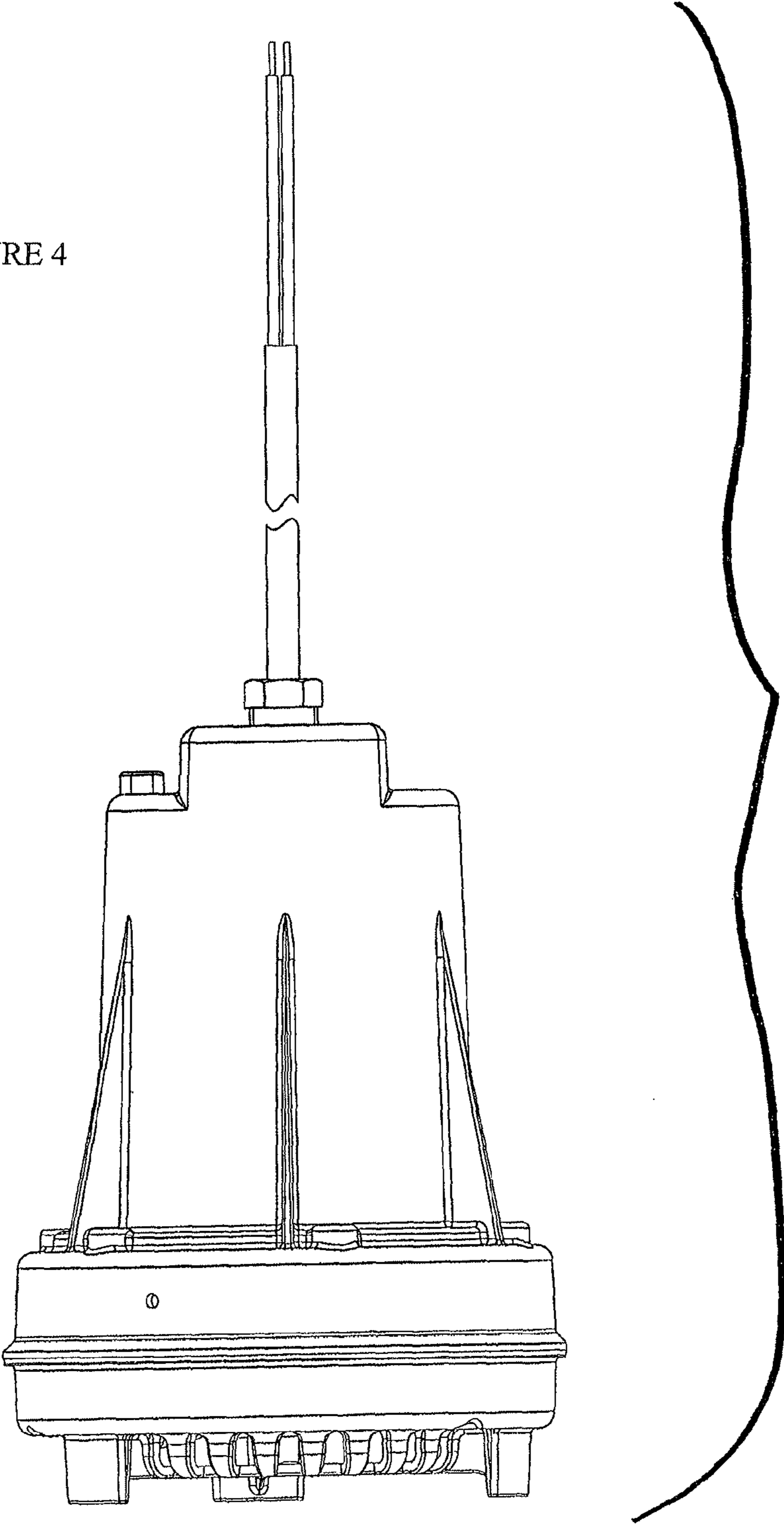


FIGURE 5

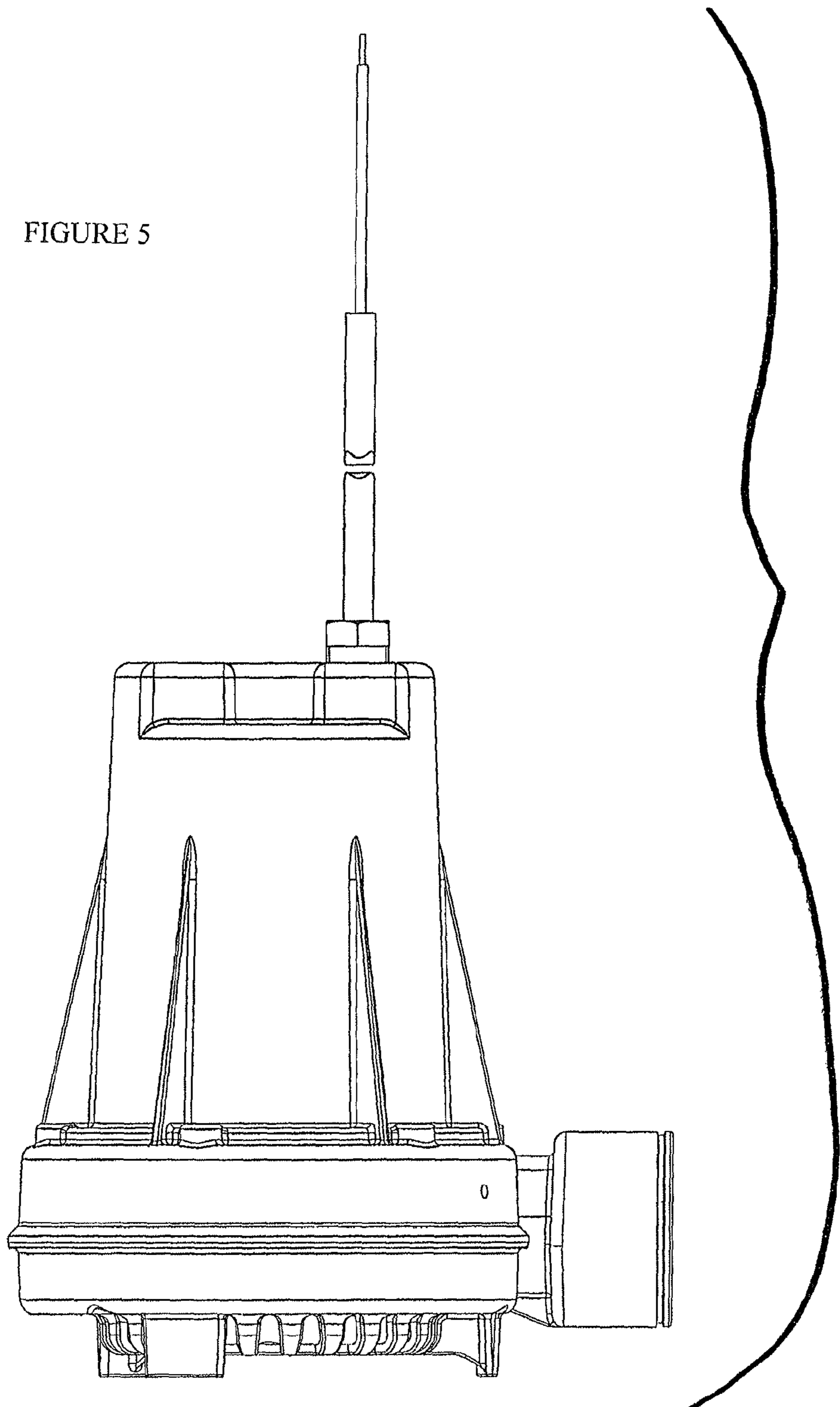


FIGURE 6

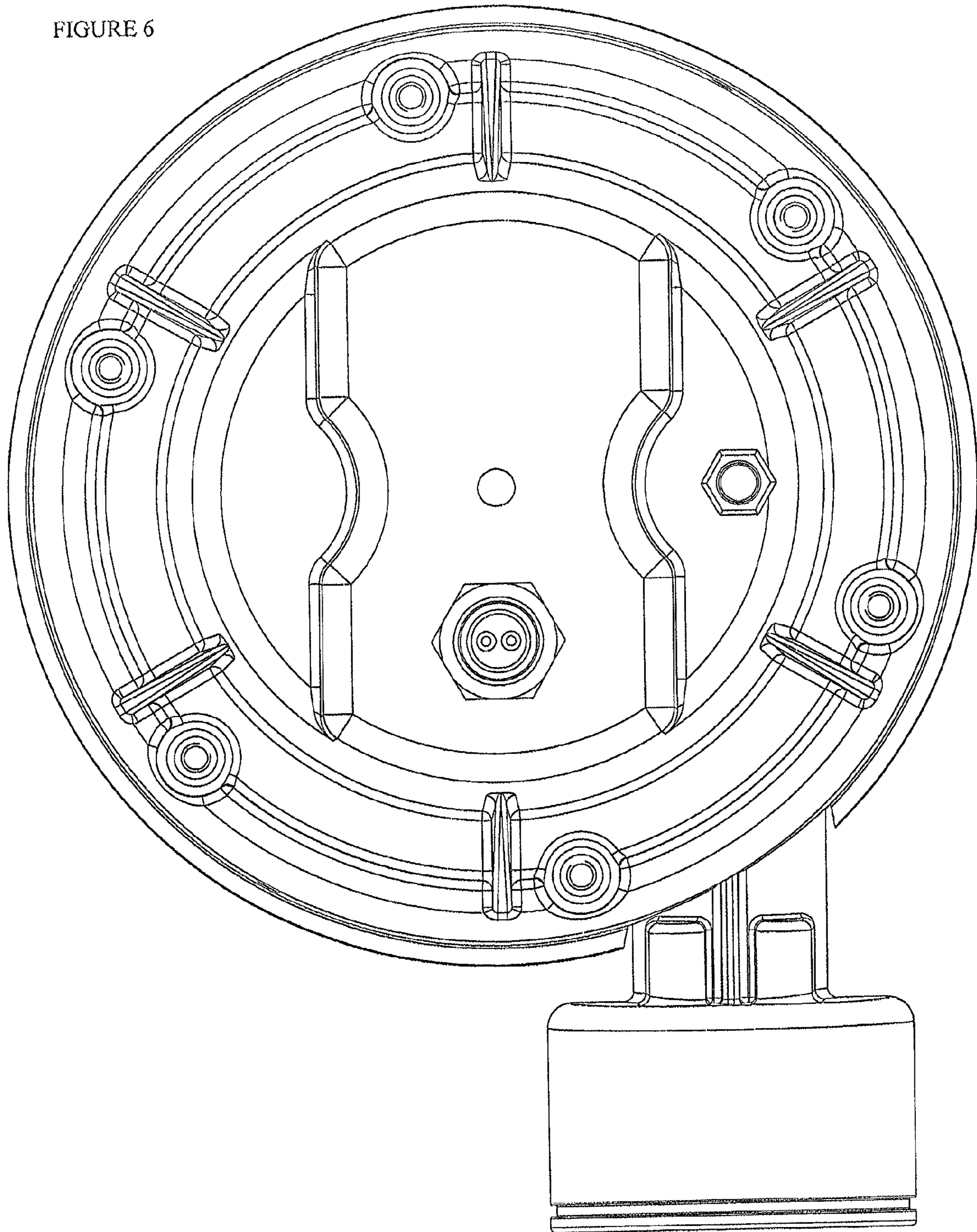


FIGURE 7

