



US00D740328S

(12) **United States Design Patent**
Maw

(10) **Patent No.:** **US D740,328 S**
(45) **Date of Patent:** **** Oct. 6, 2015**

- (54) **INFLATION NEEDLE**
- (71) Applicant: **Kerry J. Maw**, Ogden, UT (US)
- (72) Inventor: **Kerry J. Maw**, Ogden, UT (US)
- (**) Term: **14 Years**
- (21) Appl. No.: **29/503,557**
- (22) Filed: **Sep. 26, 2014**

5,556,258	A *	9/1996	Lange et al.	417/63
D375,315	S *	11/1996	Paul-Johansson	D15/7
D406,267	S *	3/1999	Carter	D15/7
D454,358	S *	3/2002	Davis et al.	D15/7
D460,704	S *	7/2002	Peele	D10/86
6,923,222	B2 *	8/2005	Gaines	141/98
D513,924	S *	1/2006	Benedict	D7/368
D588,161	S *	3/2009	Daniel	D15/7
D611,961	S *	3/2010	Boussu et al.	D15/7
7,730,913	B2 *	6/2010	Voorhies et al.	141/329
7,857,015	B2 *	12/2010	Voorhies et al.	141/329
D707,716	S *	6/2014	Bishop et al.	D15/7

* cited by examiner

Related U.S. Application Data

- (63) Continuation-in-part of application No. 14/078,335, filed on Nov. 12, 2013.
- (51) **LOC (10) Cl.** **15-02**
- (52) **U.S. Cl.**
USPC **D15/7**
- (58) **Field of Classification Search**
USPC D15/7-9; D23/231, 232, 225; 417/60, 417/235, 265, 321, 355, 358, 363, 359, 417/410.1, 415-416, 405, 900, 151; 60/408, 412; 184/26-37; 415/140-147; 123/495, 509; 137/565.34; 141/329; D21/707, 753
CPC F02M 37/04; F02M 37/14; F16K 43/00
See application file for complete search history.

Primary Examiner — Ralf Seifert

(74) *Attorney, Agent, or Firm* — Workman Nydegger

(57) **CLAIM**

The ornamental design for an inflation needle, as shown and described.

DESCRIPTION

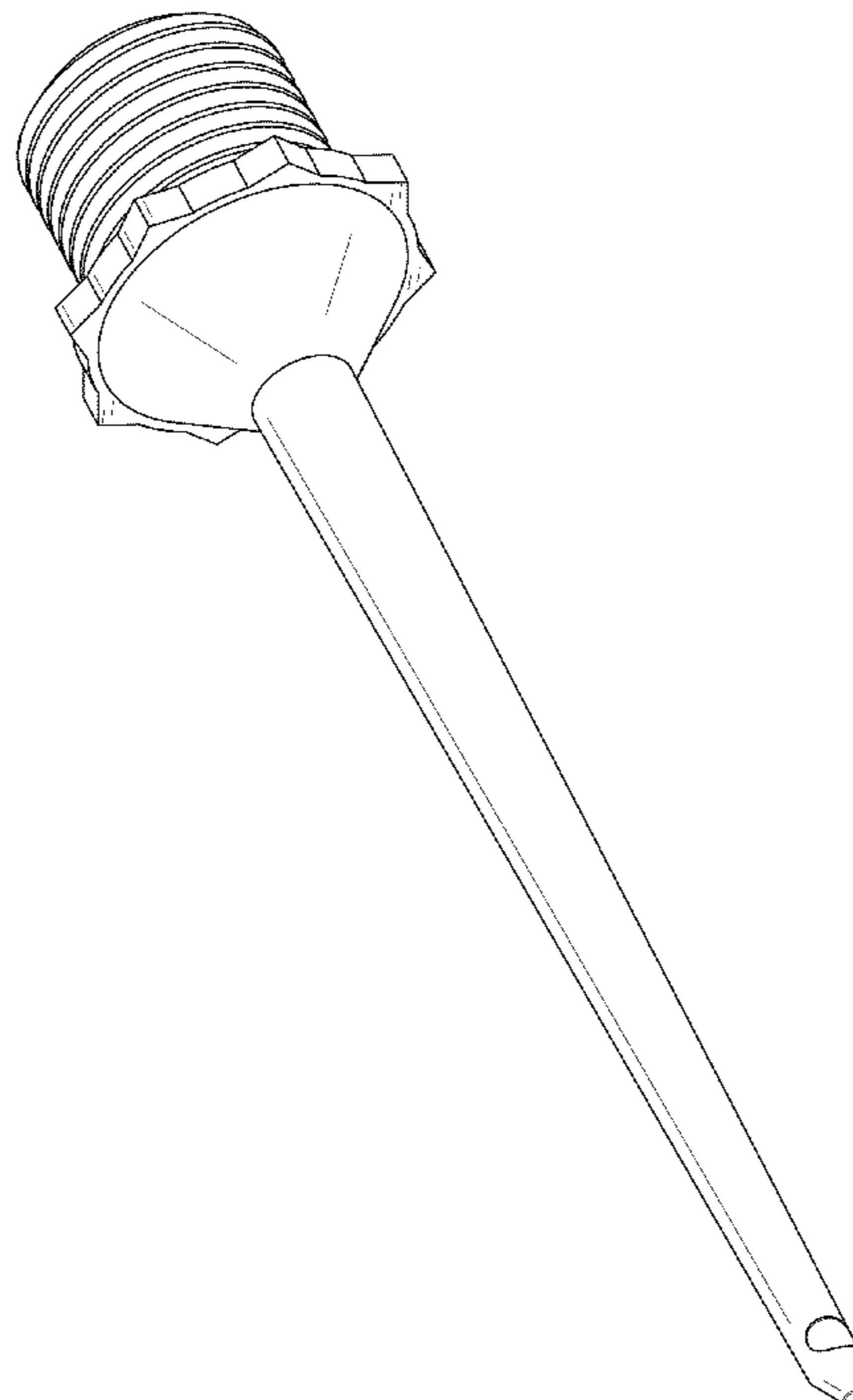
FIG. 1 is a perspective view of an inflation needle showing the new design;
 FIG. 2 is a front elevational view thereof;
 FIG. 3 is a rear elevational view thereof;
 FIG. 4 is a right side elevational view thereof;
 FIG. 5 is a left side elevational view thereof;
 FIG. 6 is a top plan view thereof; and,
 FIG. 7 is a bottom plan view thereof.
 The broken lines are included for the purpose of illustrating portions of the inflation needle that form no part of the claimed design.

(56) **References Cited**

U.S. PATENT DOCUMENTS

- 3,933,177 A * 1/1976 Dwyer, Jr. 137/861
- 4,043,356 A * 8/1977 Morris et al. 137/320

1 Claim, 4 Drawing Sheets



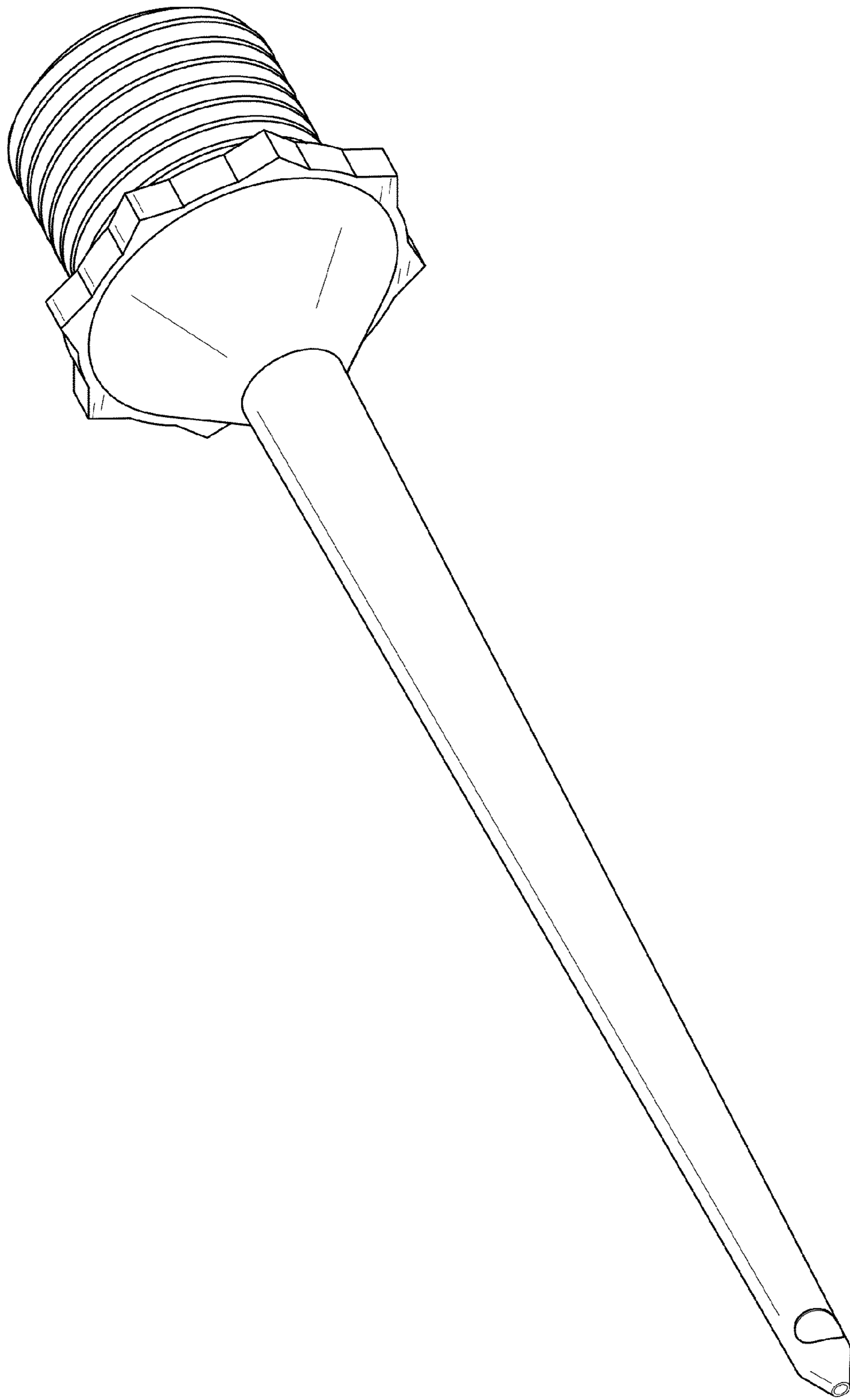


FIG. 1

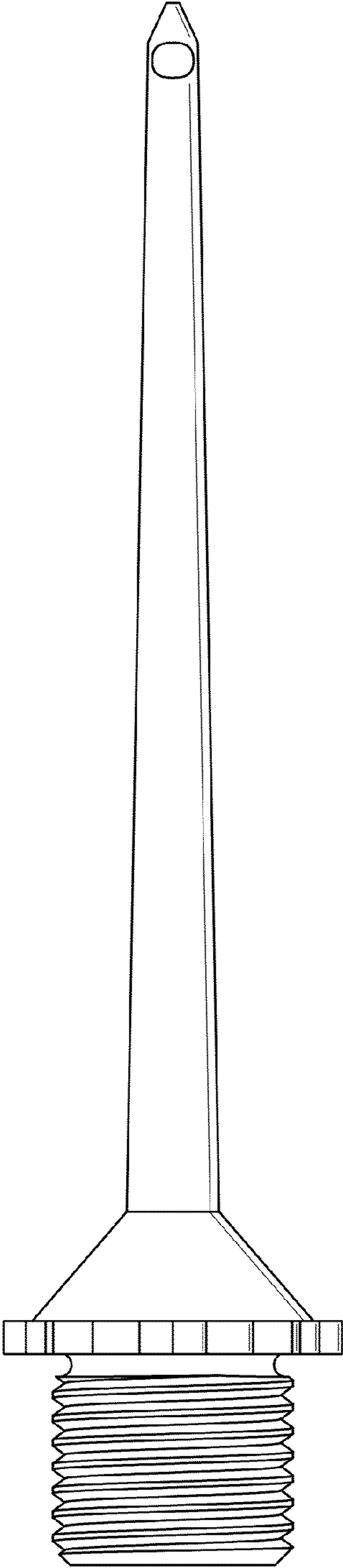


FIG. 2

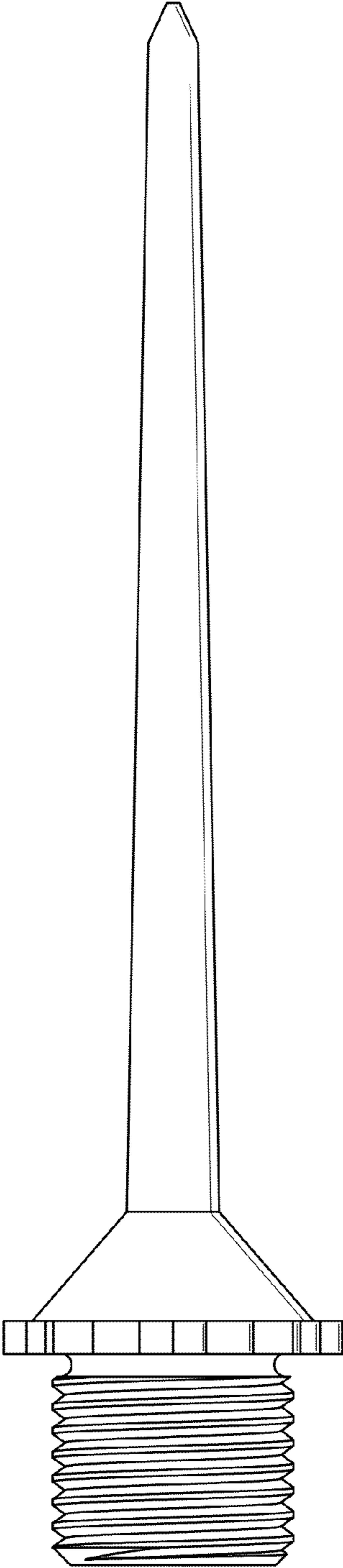


FIG. 3

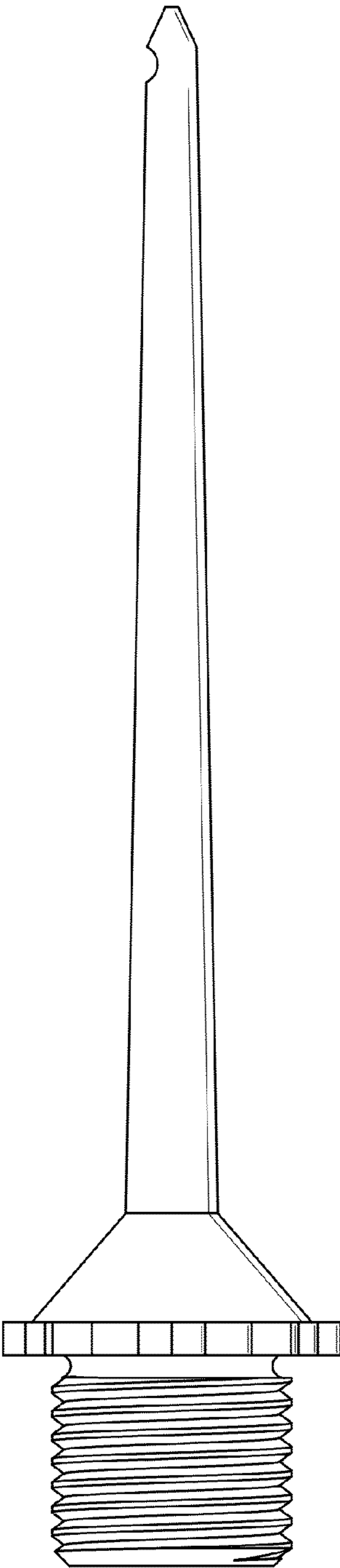


FIG. 4

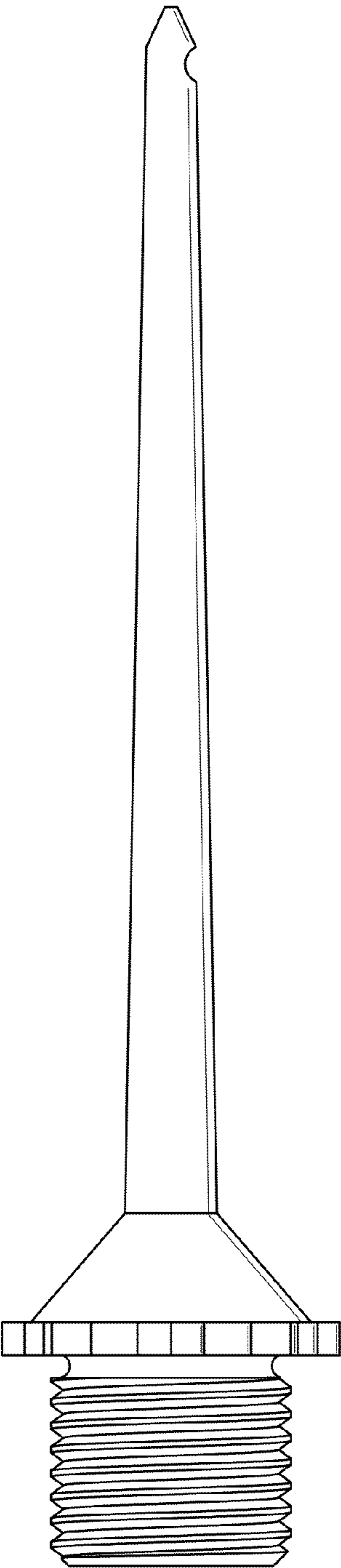


FIG. 5

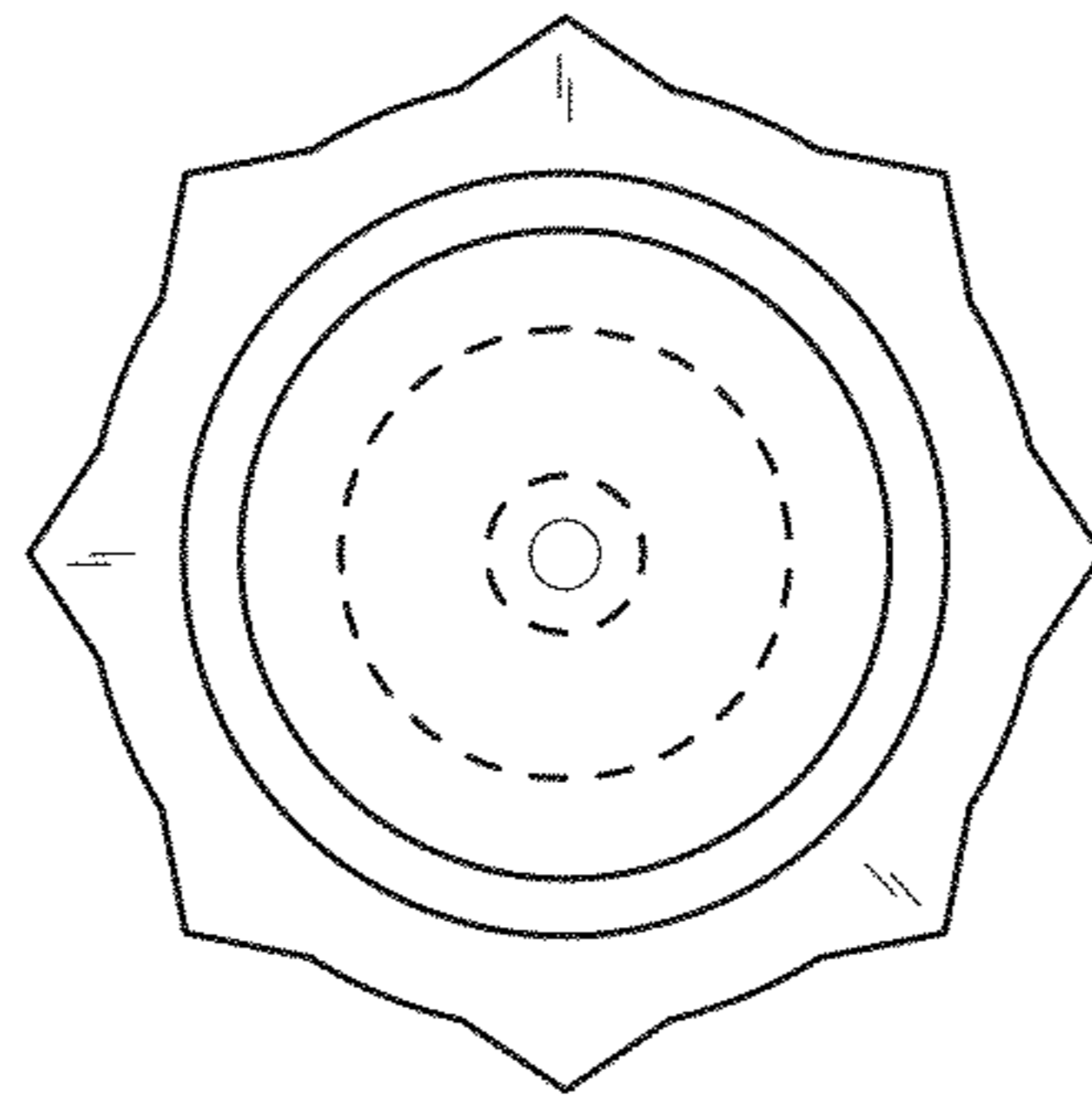


FIG. 7

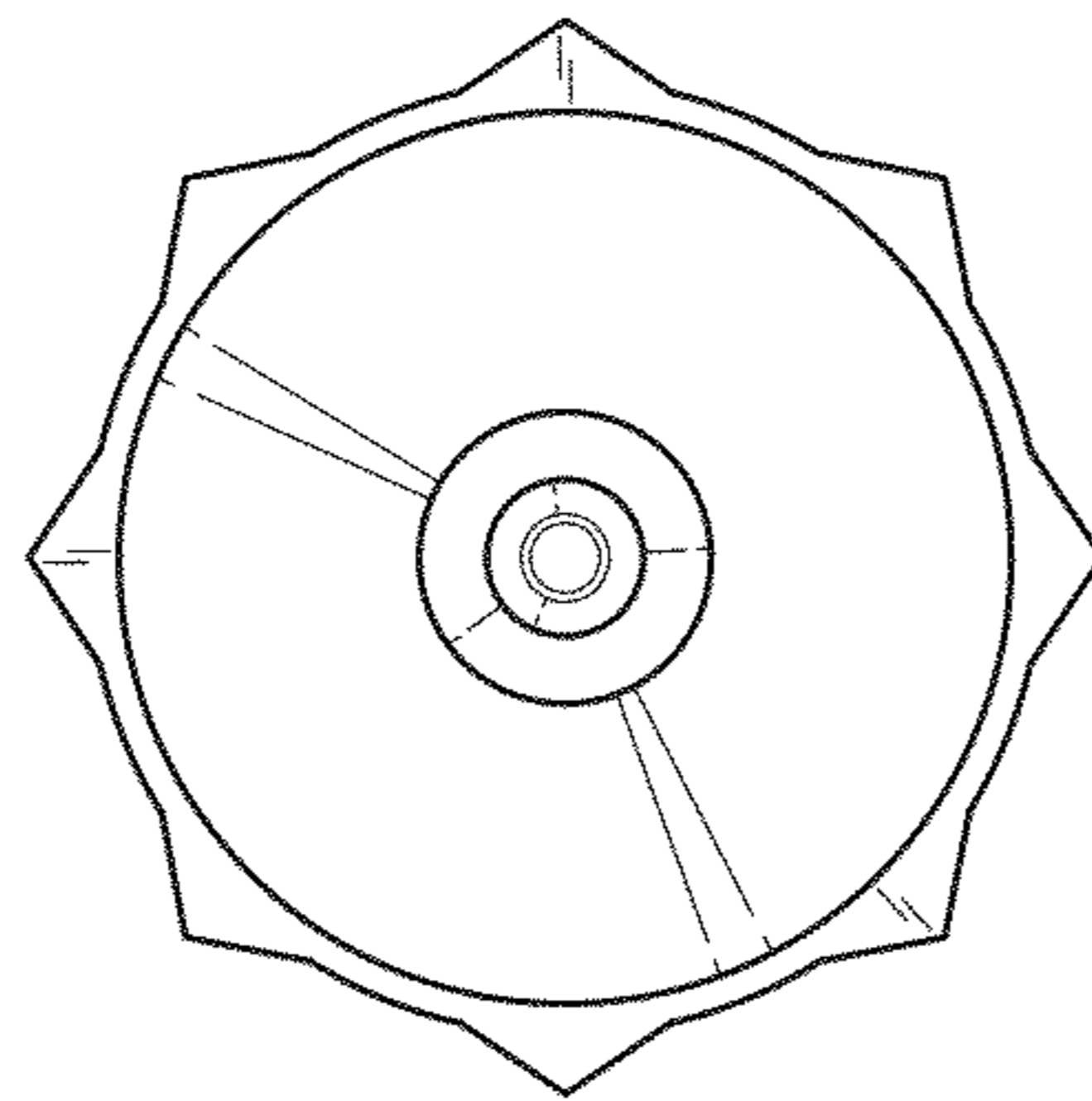


FIG. 6