



US00D740327S

(12) **United States Design Patent**
Naruoka et al.

(10) **Patent No.:** **US D740,327 S**
(45) **Date of Patent:** **** Oct. 6, 2015**

(54) **SUPERCHARGER CASING FOR INTERNAL COMBUSTION ENGINES**

(71) Applicant: **Kawasaki Jukogyo Kabushiki Kaisha,**
Hyogo (JP)

(72) Inventors: **Shohei Naruoka,** Kakogawa (JP);
Hisatoyo Arima, Himeji (JP)

(73) Assignee: **KAWASAKI JUKOGYO**
KABUSHIKI KAISHA, Hyogo (JP)

(**) Term: **14 Years**

(21) Appl. No.: **29/474,049**

(22) Filed: **May 13, 2014**

(30) **Foreign Application Priority Data**

Nov. 19, 2013 (JP) 2013-027053

(51) **LOC (10) Cl.** **15-01**

(52) **U.S. Cl.**
USPC **D15/5**

(58) **Field of Classification Search**
USPC D15/1-6; 123/559.1, 563; 415/17.4,
415/319, 139, 201.1, 206.1; 60/599, 611
See application file for complete search history.

(56) **References Cited**

U.S. PATENT DOCUMENTS

3,319,573 A * 5/1967 Judd 415/144
D232,324 S * 8/1974 Drouin D15/5

4,802,820 A * 2/1989 Komatsu 415/201
5,273,010 A * 12/1993 Elder 123/184.21
D368,269 S * 3/1996 Chapman D15/5
D368,913 S * 4/1996 Wightley D15/7
D381,339 S * 7/1997 Wightley D15/7
D609,248 S * 2/2010 Foreman et al. D15/7
D616,902 S * 6/2010 Foreman et al. D15/7
8,677,750 B2 * 3/2014 Ferrazzi 60/605.2
8,790,077 B2 * 7/2014 Burgess et al. 415/127
2005/0092307 A1 * 5/2005 Middlebrook et al. 123/559.1
2015/0086347 A1 * 3/2015 Jinnai et al. 415/204

* cited by examiner

Primary Examiner — T. Chase Nelson

Assistant Examiner — Ania Aman

(57) **CLAIM**

The ornamental design for a supercharger casing for internal combustion engines, as shown and described.

DESCRIPTION

FIG. 1 is a front elevational view of a supercharger casing for internal combustion engines showing our new design; FIG. 2 is a rear elevational view thereof; FIG. 3 is a left side elevational view thereof; FIG. 4 is a right side elevational view thereof; FIG. 5 is a top plan view thereof; FIG. 6 is a bottom plan view thereof; FIG. 7 is a cross sectional view taken along line VII-VII in FIG. 1; and FIG. 8 is a front perspective view thereof; and, FIG. 9 is a rear perspective view thereof. The supercharger casing is used in an internal combustion engine to cover a supercharger system.

1 Claim, 9 Drawing Sheets

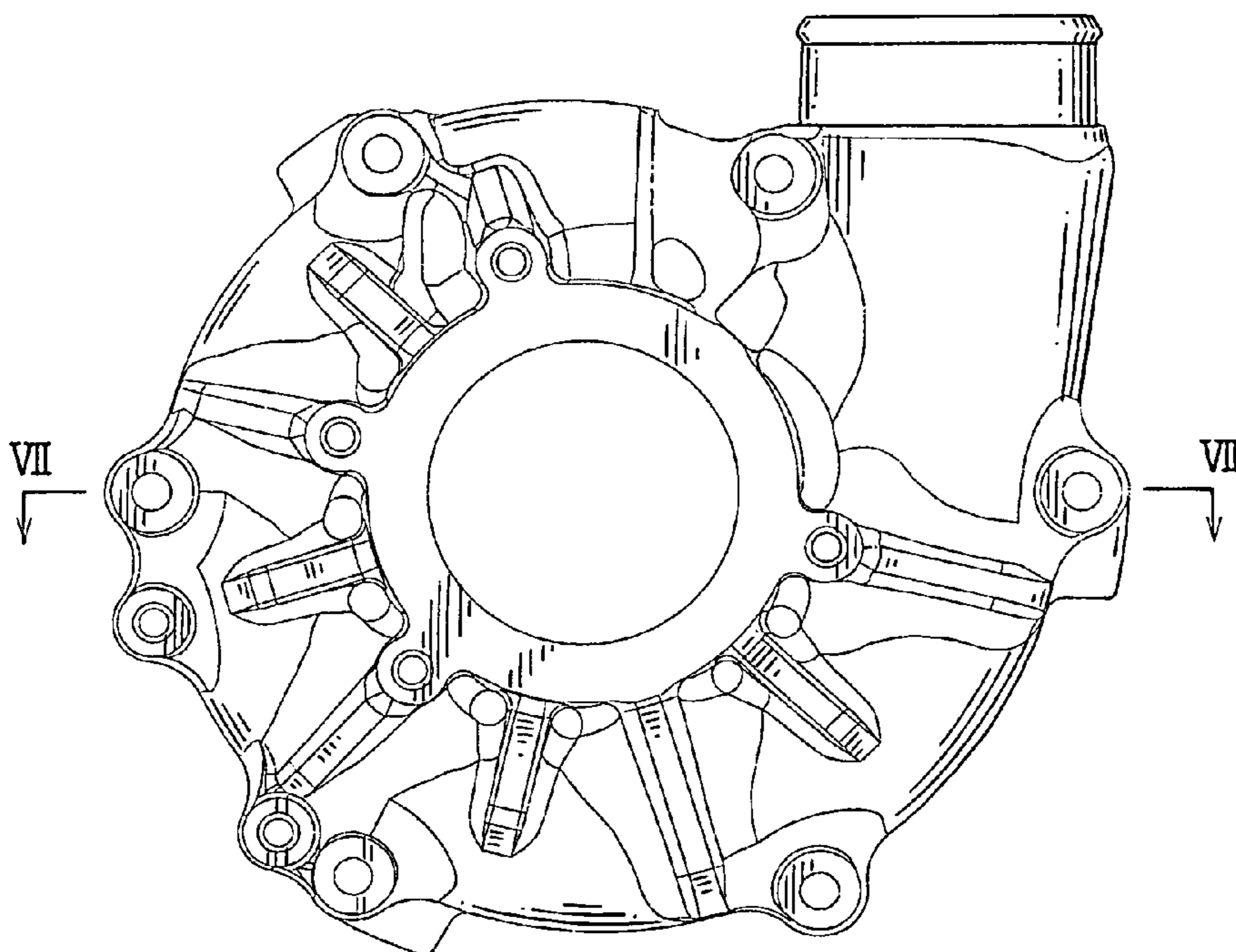


Fig. 1

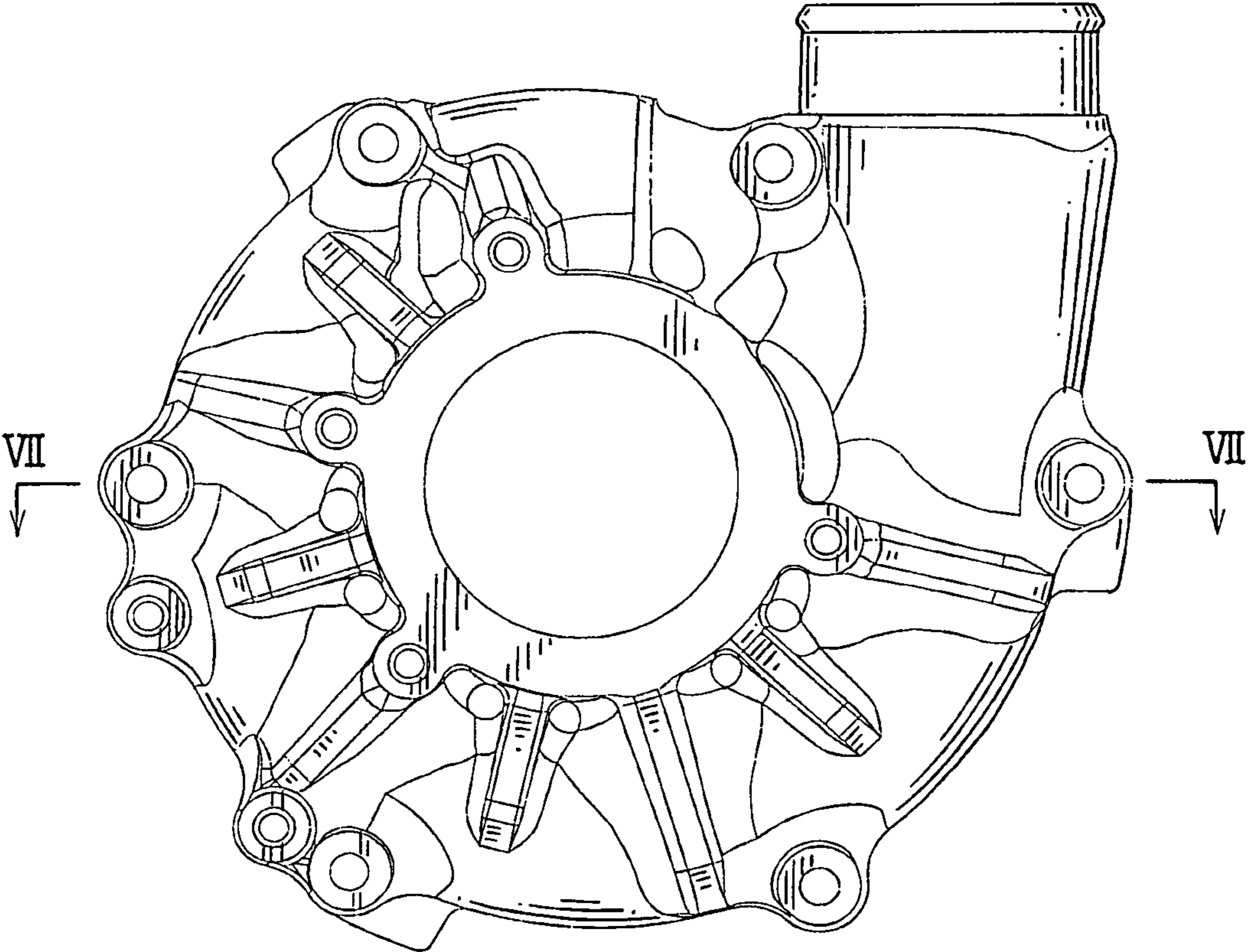


Fig. 2

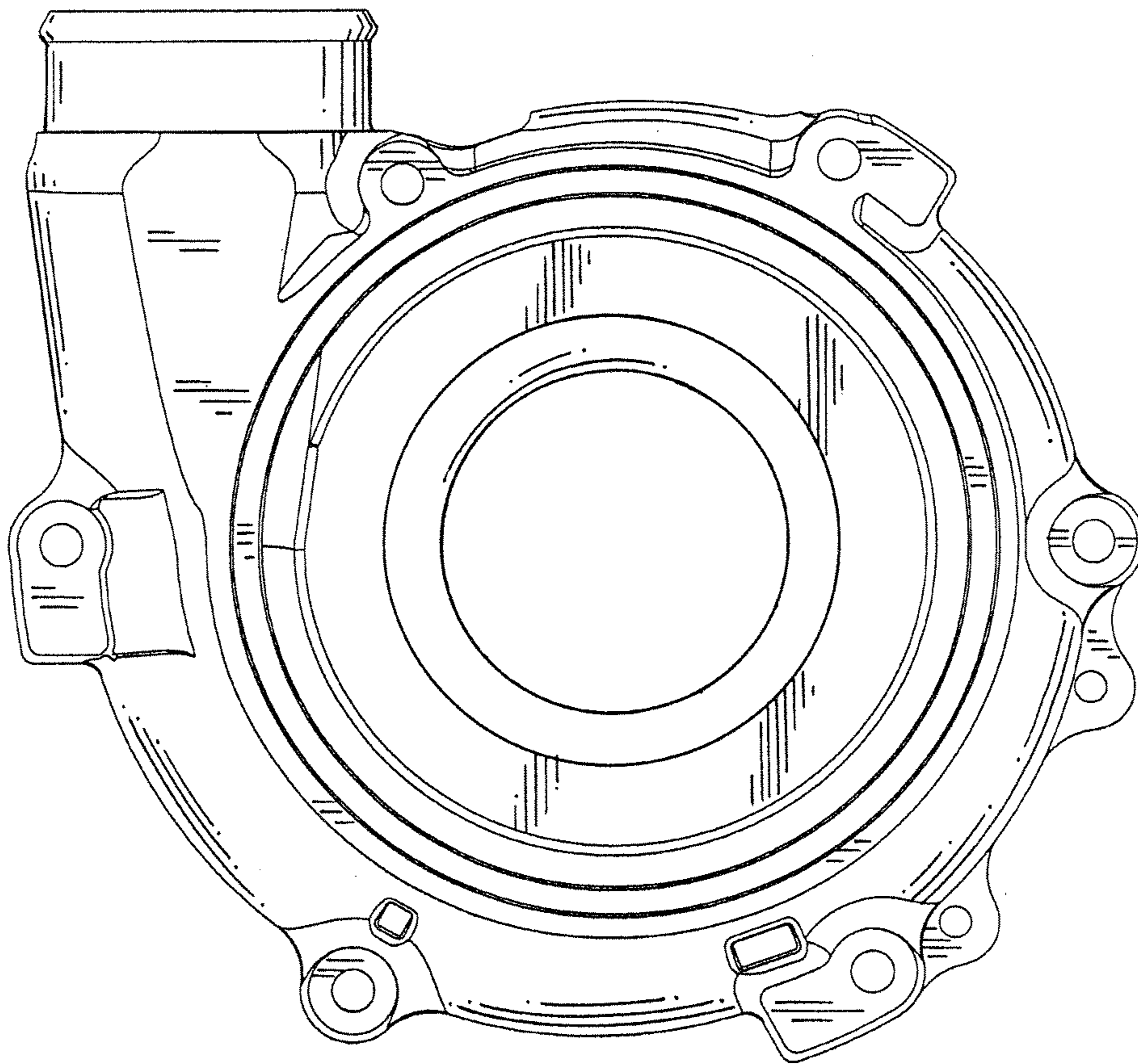


Fig. 3

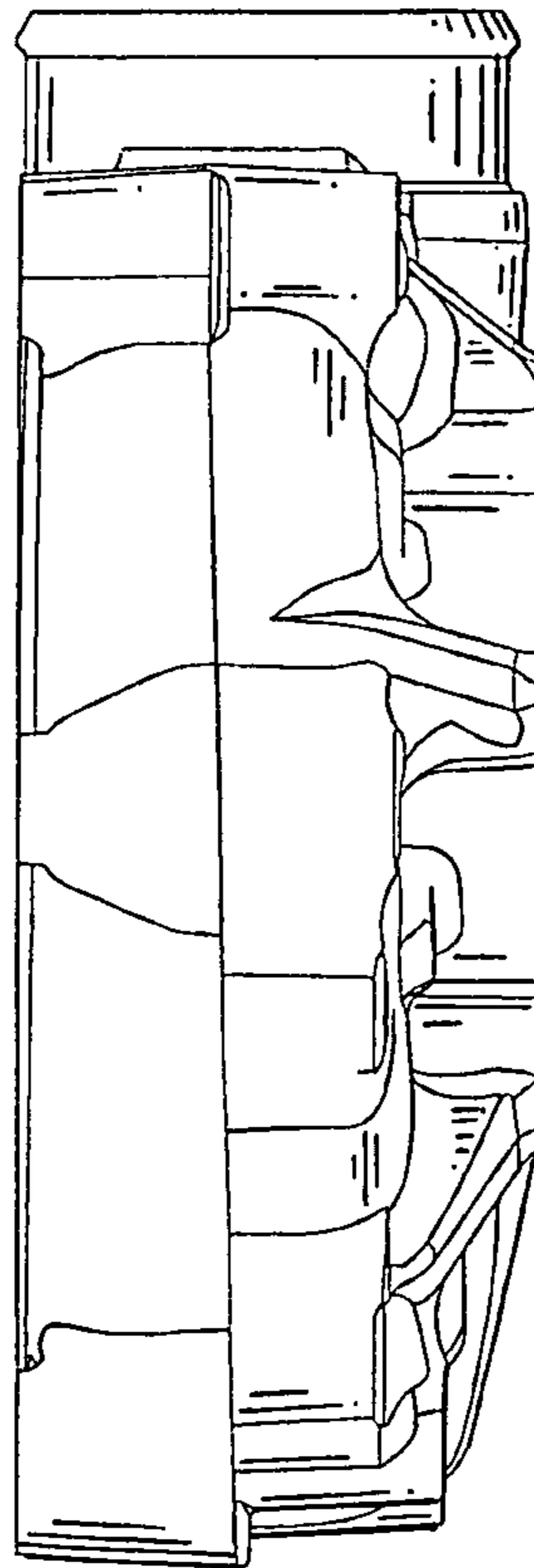


Fig. 4

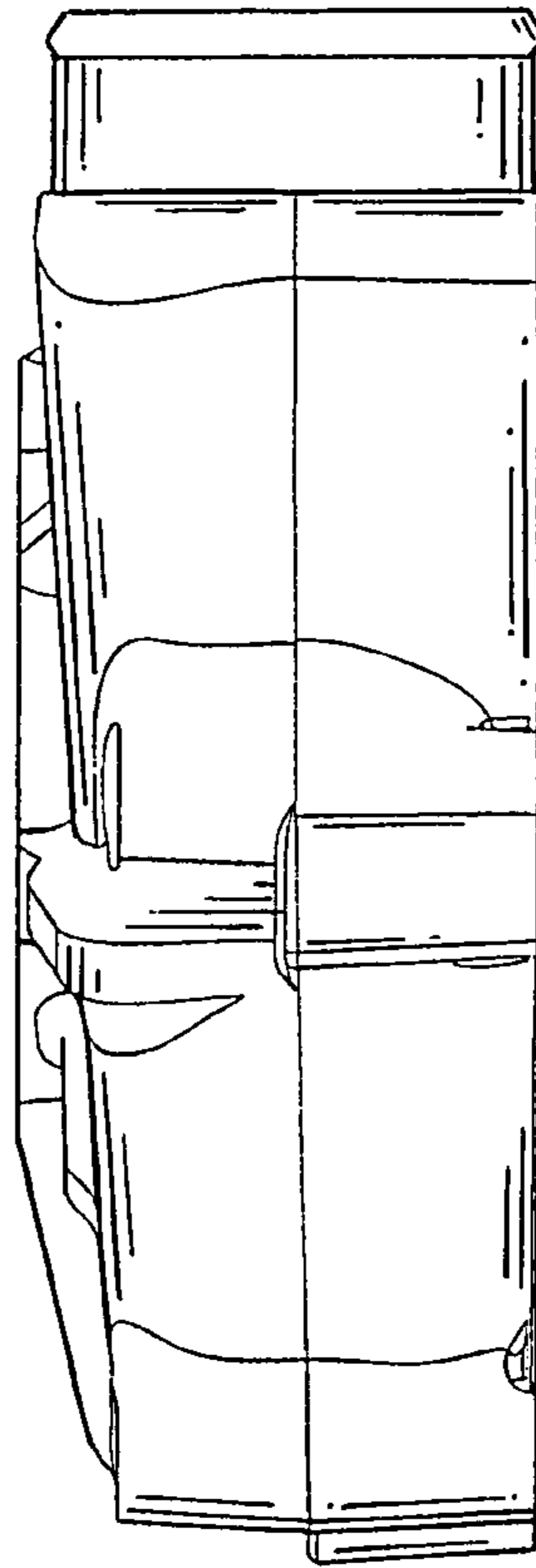


Fig. 5

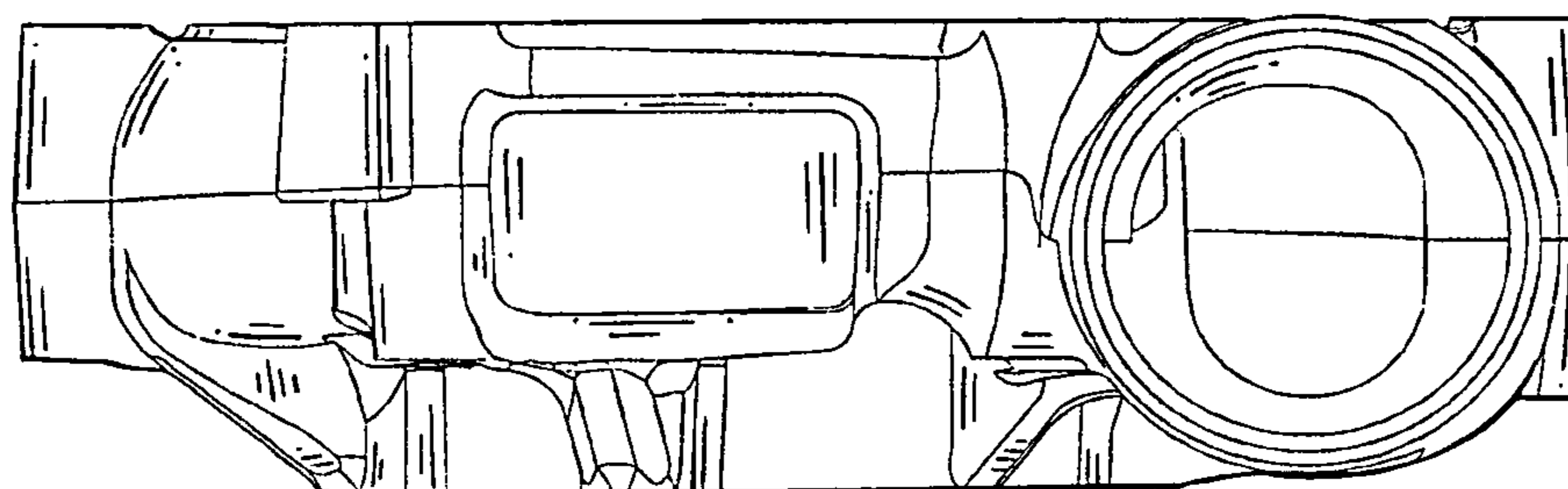


Fig. 6

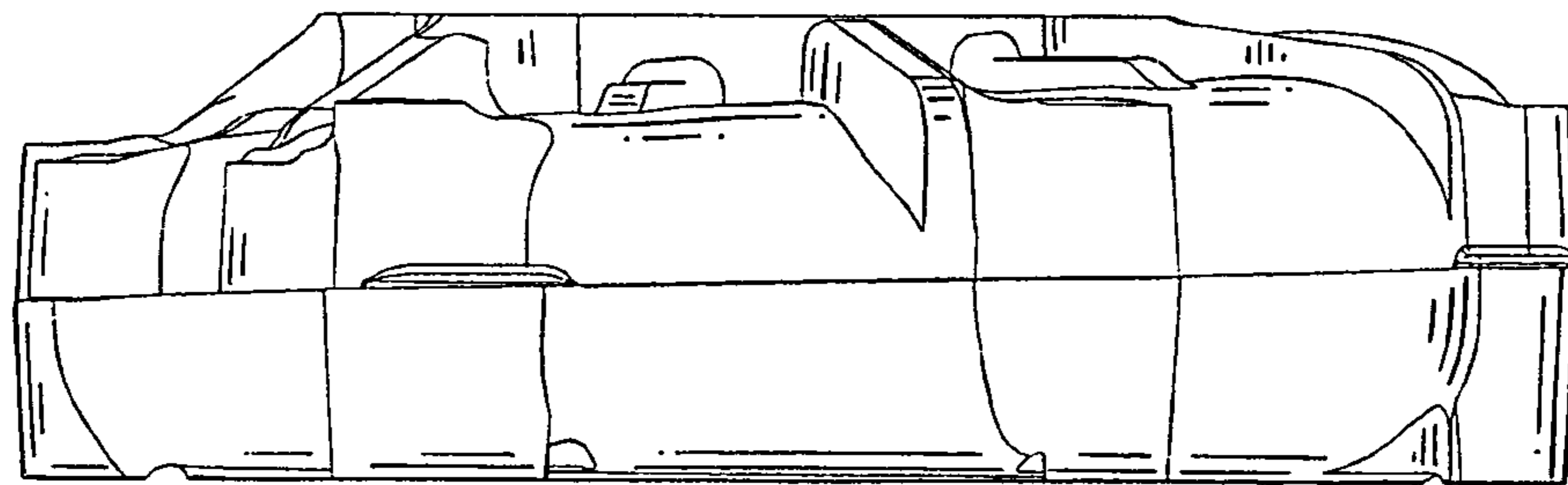


Fig. 7

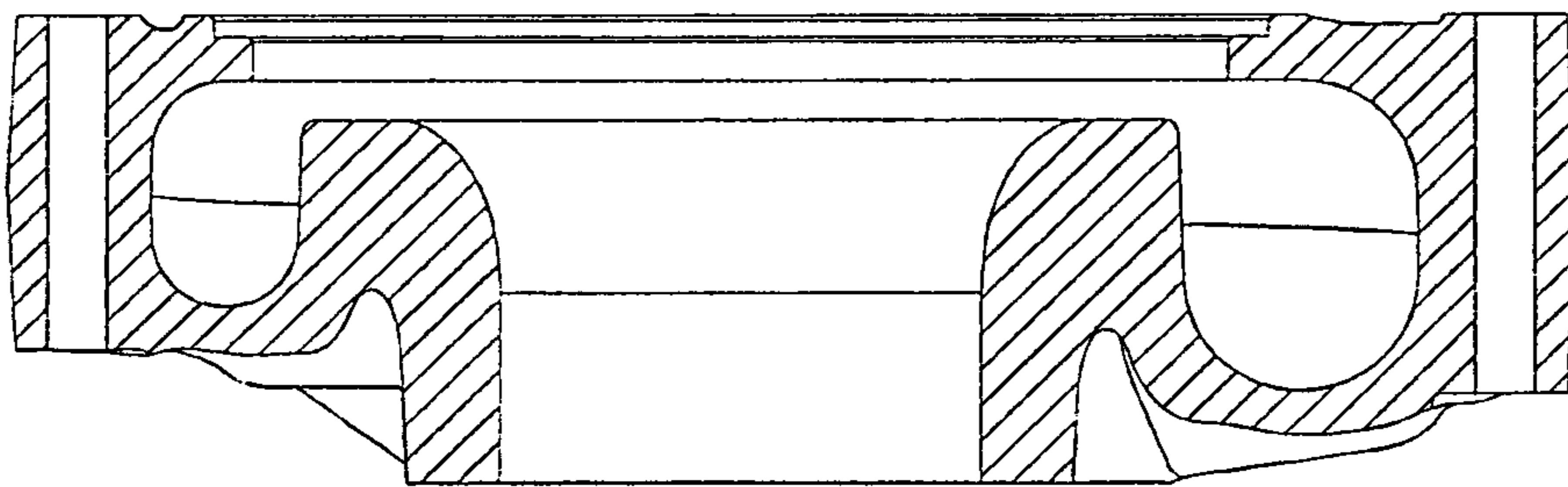


Fig. 8

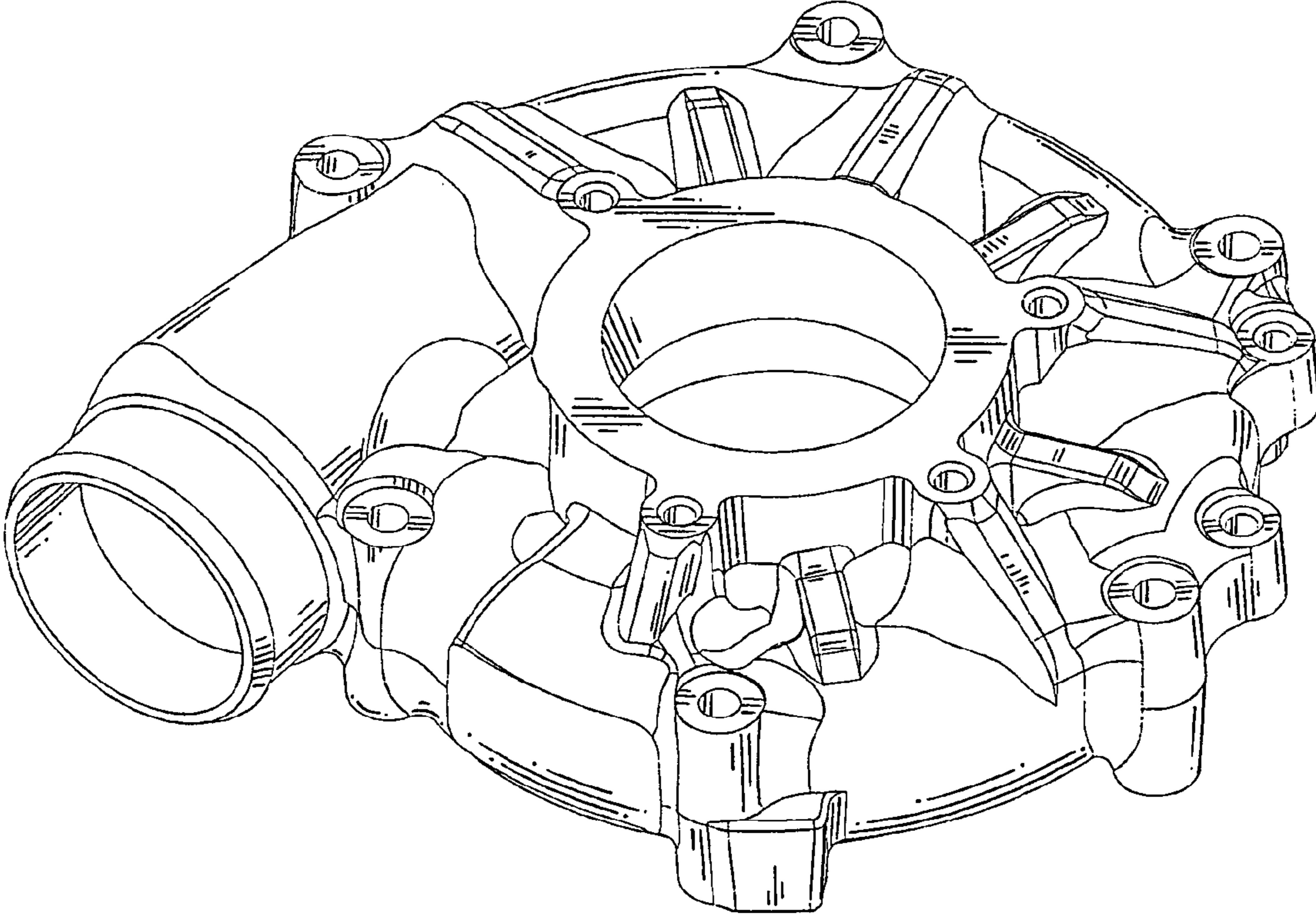


Fig. 9

