



US00D740321S

(12) **United States Design Patent**
Bray et al.

(10) **Patent No.:** **US D740,321 S**
(45) **Date of Patent:** **** Oct. 6, 2015**

(54) **DISPLAY SCREEN OR PORTION THEREOF WITH ICON**

(71) Applicant: **Deere & Company**, Moline, IL (US)

(72) Inventors: **Nicholas R. Bray**, Marion, IA (US);
Jason D. Thompson, Garner, IA (US)

(73) Assignee: **Deere & Company**, Moline, IL (US)

(**) Term: **14 Years**

(21) Appl. No.: **29/518,512**

(22) Filed: **Feb. 24, 2015**

Related U.S. Application Data

(62) Division of application No. 29/456,092, filed on May 28, 2013, now Pat. No. Des. 730,401.

(51) **LOC (10) Cl.** **14-04**

(52) **U.S. Cl.**
USPC **D14/492**

(58) **Field of Classification Search**
USPC D14/485-495; 715/703, 715, 727, 763,
715/773, 776, 779, 839, 810, 811, 812, 813,
715/814, 815, 821, 825, 828, 833, 835, 836,
715/837, 838, 840, 846, 847, 864, 963, 974,
715/976, 977
CPC G06F 3/0482; G06F 8/34; G06F 3/04817;
G06F 3/048

See application file for complete search history.

(56) **References Cited**

U.S. PATENT DOCUMENTS

5,712,782 A 1/1998 Weigelt et al.
5,889,671 A 3/1999 Autermann et al.
5,978,720 A 11/1999 Hieronymus et al.
6,085,135 A 7/2000 Steckel
D531,186 S 10/2006 Sauter
7,337,023 B2 2/2008 Diekhans

D568,336 S * 5/2008 Miglietta et al. D14/492
D590,409 S 4/2009 Shibata et al.
D636,398 S * 4/2011 Matas D14/486
D642,194 S 7/2011 Kozlowski et al.
D642,589 S 8/2011 Kozlowski et al.
D645,051 S 9/2011 Kozlowski et al.
D650,802 S 12/2011 Jang et al.
D652,425 S 1/2012 Kozlowski et al.
D685,386 S 7/2013 Makhoulouf
D689,096 S 9/2013 Nagaoka et al.
D692,918 S 11/2013 Ridl et al.

(Continued)

FOREIGN PATENT DOCUMENTS

EP 1865396 A2 12/2007
EP 1992213 A1 11/2008

OTHER PUBLICATIONS

VisualPharm "Transport Tractor Icon." IconArchive.com online catalog. Copyright 2013 IconArchive.com.

(Continued)

Primary Examiner — Angela J Lee

(74) *Attorney, Agent, or Firm* — Ingrassia, Fisher & Lorenz, P.C.

(57) **CLAIM**

The ornamental design for a display screen or portion thereof with icon, as shown and described.

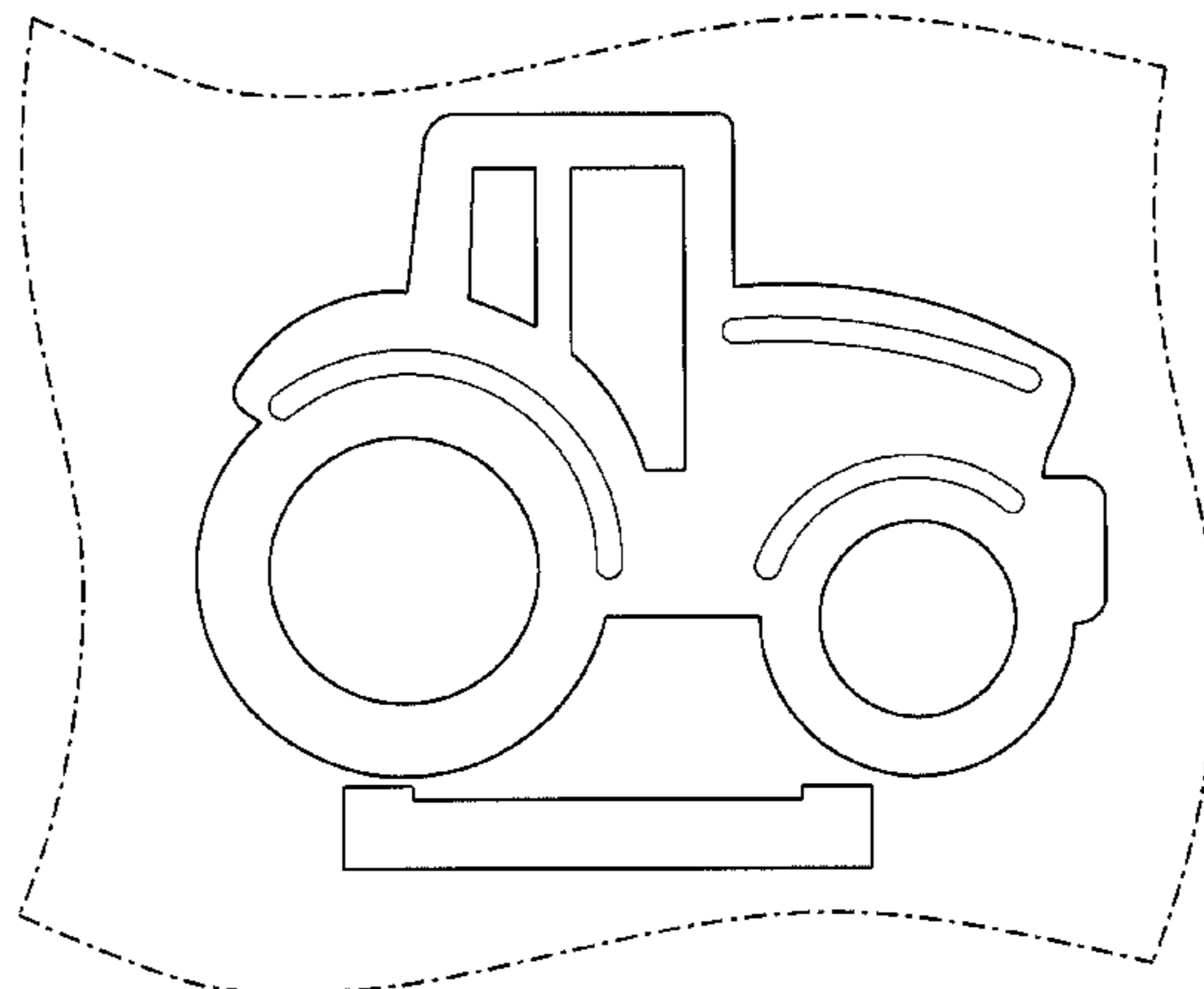
DESCRIPTION

The sole FIGURE is a front view of a display screen or portion thereof with icon showing our new design.

The broken line representation of the display screen or portion thereof forms no part of the claimed design.

Example devices having display screens on which the various icons of the claimed design may be provided include one or more of computers, tablets, smart phones, control interfaces, gauges and measurement instruments.

1 Claim, 1 Drawing Sheet



(56)

References Cited

U.S. PATENT DOCUMENTS

D712,421 S 9/2014 Inose et al.
D712,928 S 9/2014 Brener et al.
D721,730 S * 1/2015 Thompson D14/489
D729,265 S * 5/2015 Mariet et al. D14/486
D730,372 S * 5/2015 Mariet et al. D14/486
D730,401 S * 5/2015 Bray et al. D14/492
D730,923 S * 6/2015 Mariet et al. D14/486
D730,935 S * 6/2015 Franganillo et al. D14/492
2007/0139182 A1* 6/2007 O'Connor et al. 340/521
2007/0240079 A1* 10/2007 Flynt et al. 715/810
2008/0014908 A1* 1/2008 Vasant 455/414.1

2008/0084332 A1 4/2008 Ritter et al.
2009/0093236 A1* 4/2009 Balan et al. 455/411
2011/0126249 A1* 5/2011 Makhlouf 725/109

OTHER PUBLICATIONS

“Elegant Agriculture Icons Set Created for Mobile, Web and Applications.” Bing.com online.
John Deere. Operator’s Manual. “GS2 Display—Basic Applications.” pp. 120-1 and 120-4. Copyright 2010 Deere & Company.
John Deere. “User Guide—GS3 2630 Display.” p. 5. Copyright 2012 Deere & Company.

* cited by examiner

