



US00D740297S

(12) **United States Design Patent**  
**Yoo**

(10) **Patent No.:** **US D740,297 S**

(45) **Date of Patent:** **\*\* Oct. 6, 2015**

(54) **KEYBOARD**

(56) **References Cited**

(71) Applicant: **Samsung Electronics Co., Ltd.**,  
Suwon-si, Gyeonggi-do (KR)

(72) Inventor: **Sang-Hun Yoo**, Seongnam-si (KR)

(73) Assignee: **SAMSUNG ELECTRONICS CO., LTD.** (KR)

(\*\*) Term: **14 Years**

(21) Appl. No.: **29/488,912**

(22) Filed: **Apr. 24, 2014**

(30) **Foreign Application Priority Data**

Dec. 30, 2013 (KR) ..... 30-2013-0066127

(51) **LOC (10) Cl.** ..... **14-02**

(52) **U.S. Cl.**  
USPC ..... **D14/455**

(58) **Field of Classification Search**

USPC ..... D14/240, 138, 318, 341, 391-399, 443,  
D14/455, 456, 434; D18/1, 2, 7, 11;  
178/17 A, 17 C; 200/5 A, 5 R, 6 A, 6 R;  
235/145 A, 145 R; 341/20-23; 345/156,  
345/160, 168, 169, 173; 361/679.08,  
361/679.09, 679.11-679.19; 400/484-489,  
400/492, 472

CPC ..... G06F 1/16; G06F 1/1616; G06F 1/162;  
G06F 1/1601; G06F 1/1626; G09B 13/04;  
H03M 11/00; H03K 17/94; H05K 5/00;  
H01H 3/125; H01H 13/705

See application file for complete search history.

U.S. PATENT DOCUMENTS

6,614,649	B1 *	9/2003	Wang	.....	361/679.11
6,781,819	B2 *	8/2004	Yang et al.	.....	361/679.09
6,882,524	B2 *	4/2005	Ulla et al.	.....	361/679.09
7,611,113	B2 *	11/2009	Lai	.....	248/286.1
D659,139	S *	5/2012	Gengler	.....	D14/392
D692,014	S *	10/2013	Gengler	.....	D14/455
D693,821	S *	11/2013	Bates et al.	.....	D14/440
2012/0092195	A1 *	4/2012	Lin	.....	341/22

\* cited by examiner

*Primary Examiner* — Freda S Nunn

(74) *Attorney, Agent, or Firm* — Cantor Colburn LLP

(57) **CLAIM**

I claim, the ornamental design for a keyboard, as shown and described.

**DESCRIPTION**

FIG. 1 is a front perspective view of a keyboard showing my new design;

FIG. 2 is a front view thereof;

FIG. 3 is a rear view thereof;

FIG. 4 is a side view thereof;

FIG. 5 is another side view thereof;

FIG. 6 is a top view thereof;

FIG. 7 is a bottom view thereof;

FIG. 8 is an enlarged cross-sectional view thereof taken along line 8-8 in FIG. 2;

FIG. 9 is another enlarged cross-sectional view thereof taken along line A-A in FIG. 2, in an alternate position; and, FIG. 10 is a rear perspective view thereof, as shown in an environment of use.

The broken lines illustrating portions of the keyboard are for environmental purposes only and form no part of the claimed design.

**1 Claim, 7 Drawing Sheets**

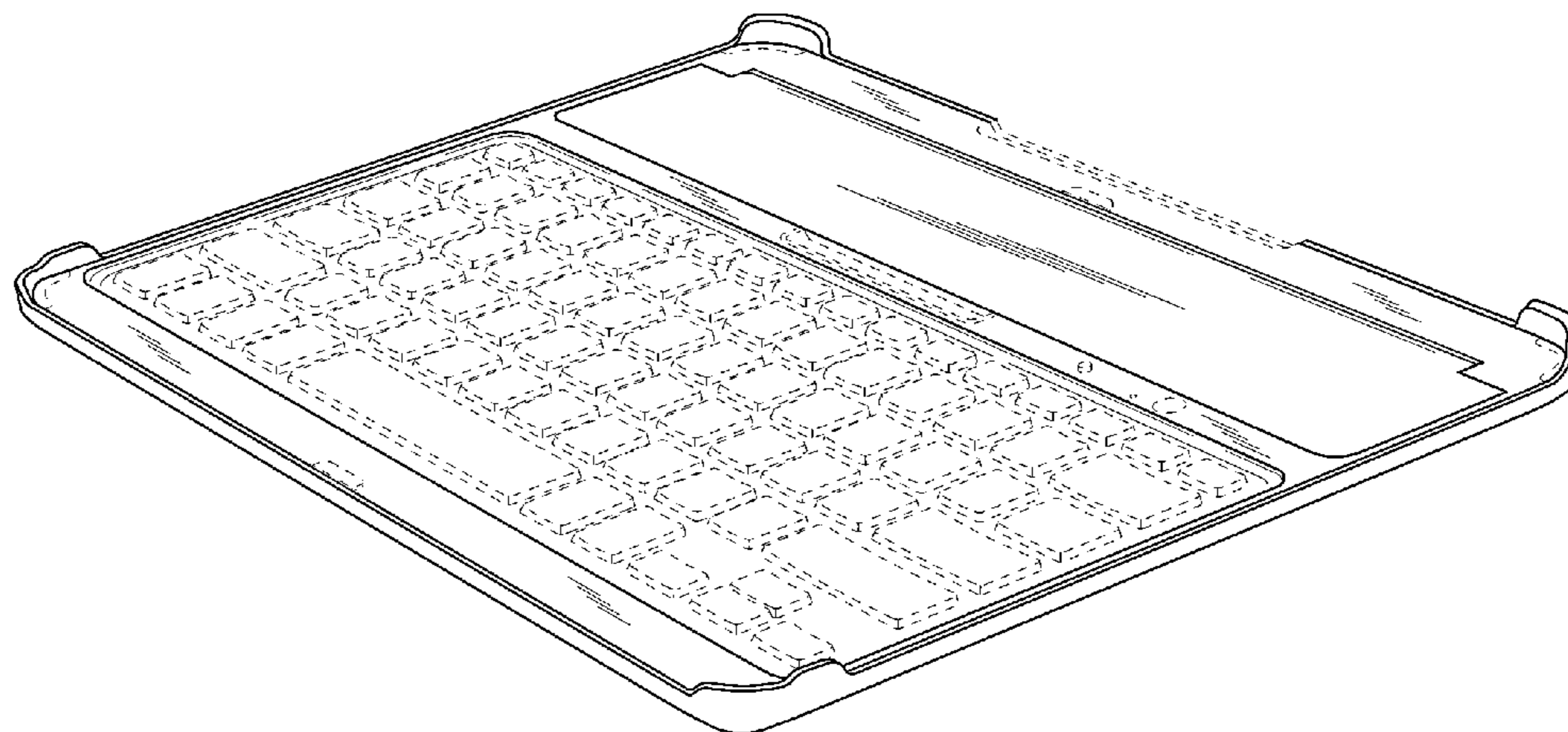


FIG.1

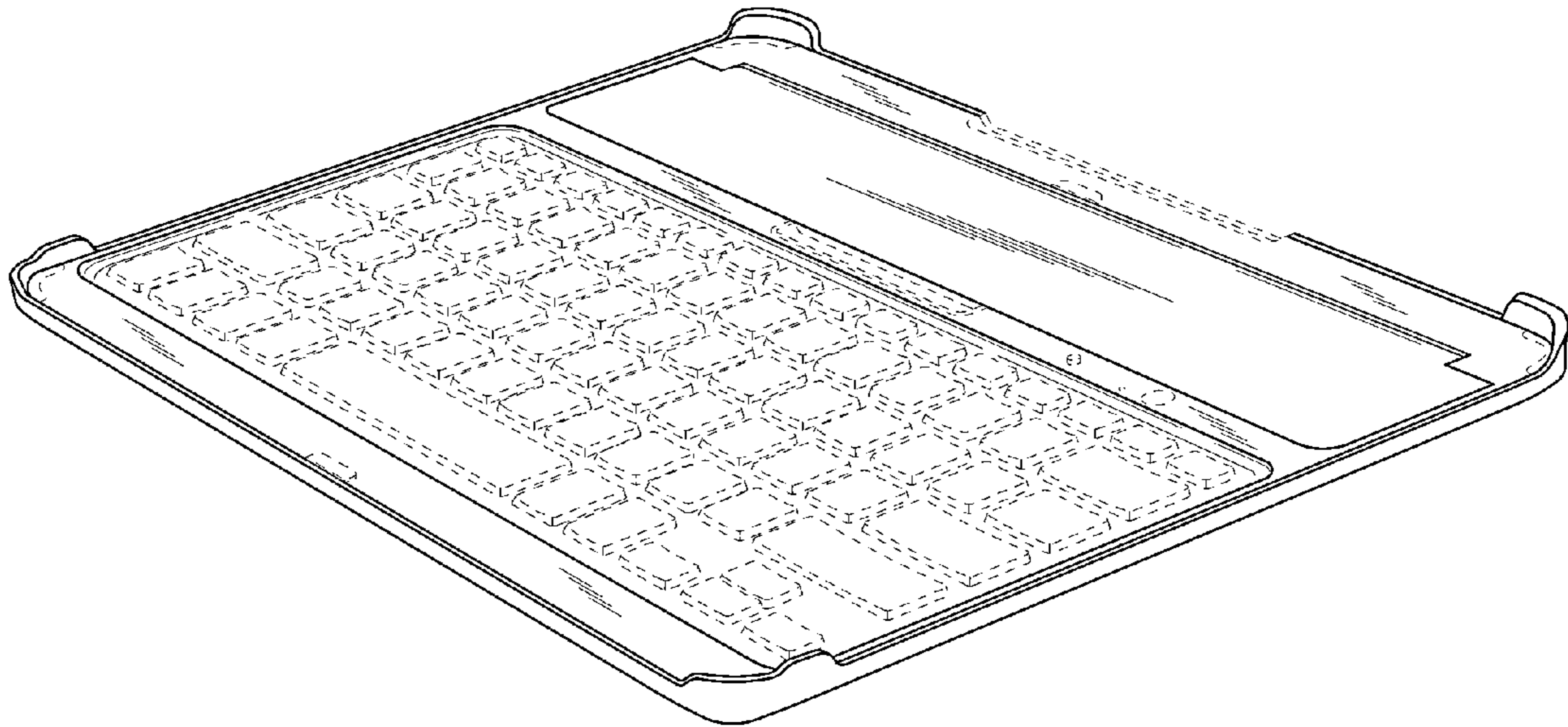
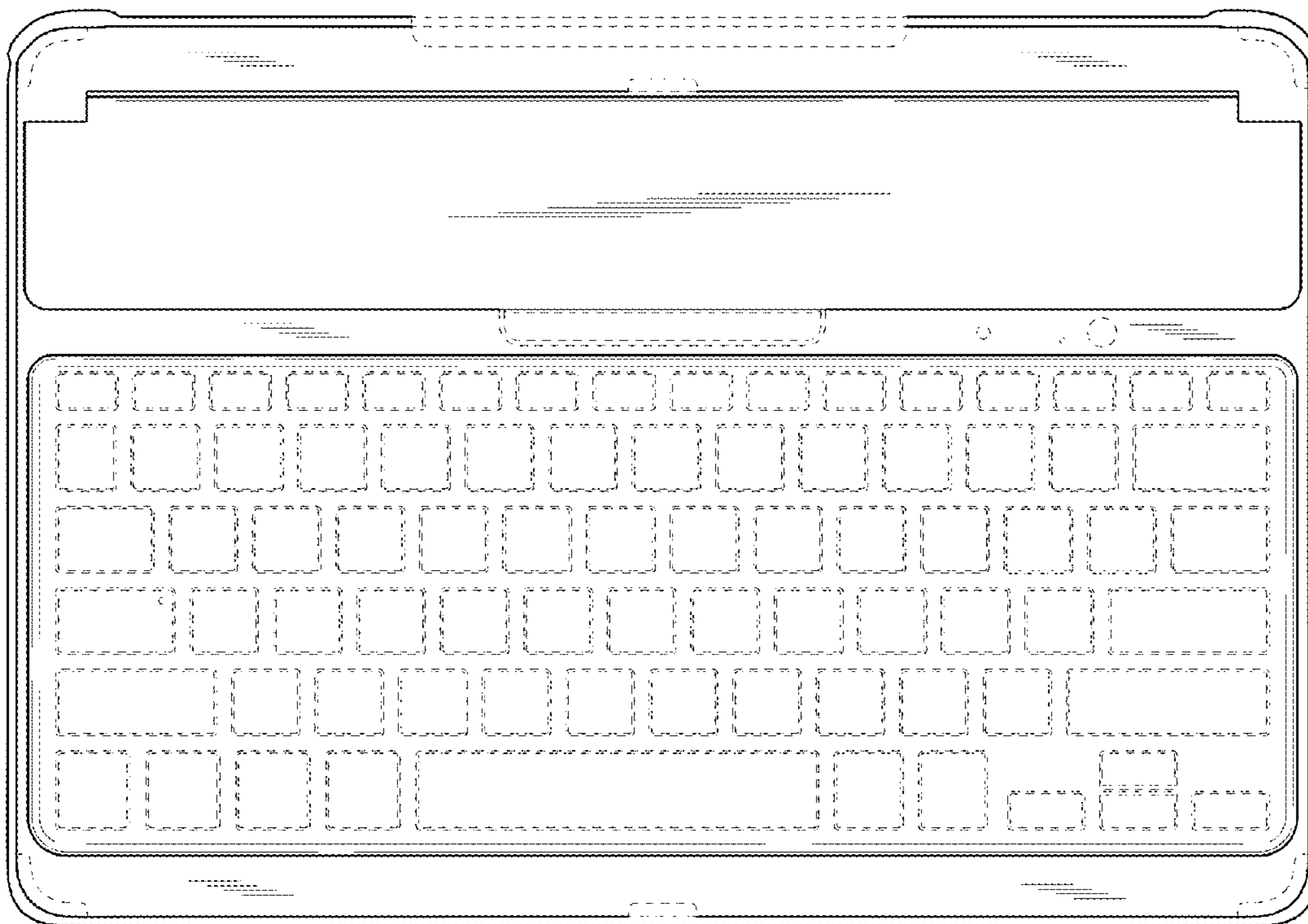


FIG.2

8 ←



8 ←

FIG.3



FIG.4

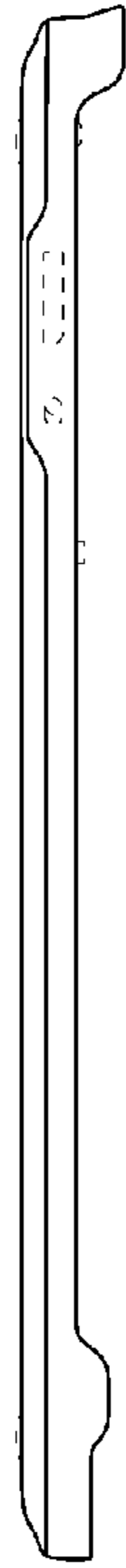


FIG.5

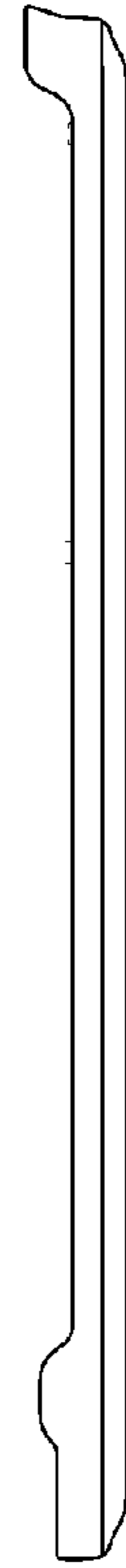


FIG.6

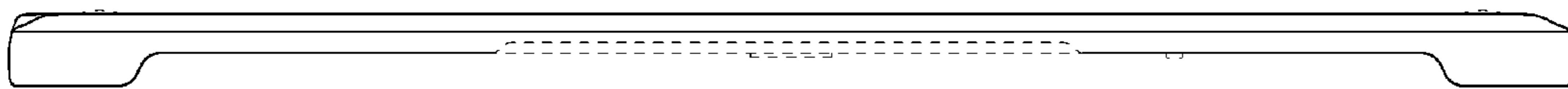


FIG.7

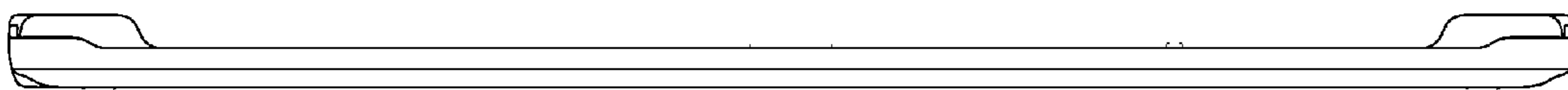


FIG.8

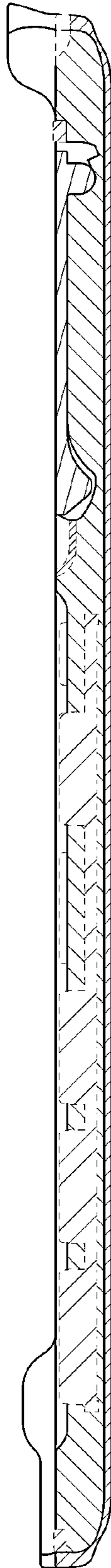


FIG.9

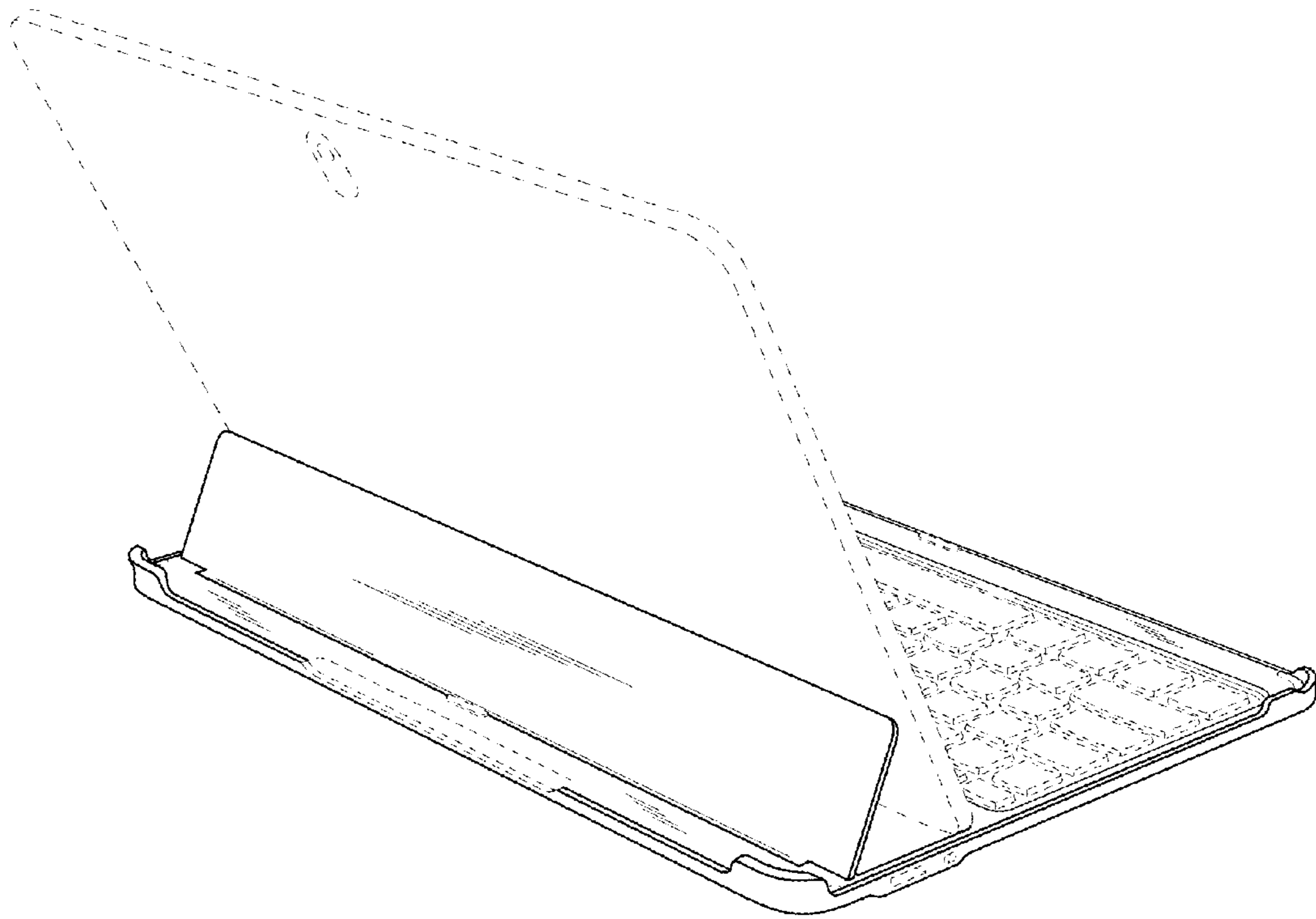


FIG.10

