



US00D740296S

(12) **United States Design Patent**  
**Itano et al.**

(10) **Patent No.:** **US D740,296 S**  
(45) **Date of Patent:** **\*\* Oct. 6, 2015**

(54) **KEYBOARD**

(71) Applicant: **FUJITSU LIMITED**, Kawasaki-shi,  
Kanagawa (JP)

(72) Inventors: **Ichiro Itano**, Chigasaki (JP); **Kentaro Ohki**, Yokohama (JP)

(73) Assignee: **FUJITSU LIMITED**, Kawasaki (JP)

(\*\*) Term: **14 Years**

(21) Appl. No.: **29/485,688**

(22) Filed: **Mar. 21, 2014**

(30) **Foreign Application Priority Data**

Sep. 27, 2013 (JP) ..... 2013-022523

(51) **LOC (10) Cl.** ..... **14-02**

(52) **U.S. Cl.**  
USPC ..... **D14/455**; D14/318

(58) **Field of Classification Search**

USPC ..... D14/315, 318, 391-399, 455, 456;  
D18/1, 2, 7, 11; 178/17 A, 17 C;  
200/5 A, 5 R, 6 A, 6 R; 235/145 A, 145 R;  
341/20-23; 345/156, 160, 168, 169,  
345/173; 361/679.08, 679.09,  
361/679.11-679.19; 400/484-489, 492,  
400/472

CPC ..... G06F 1/16; G06F 1/1616; G06F 1/162;  
G06F 1/1601; G06F 1/1626; G09B 13/04;  
H03M 11/00; H03K 17/94; H05K 5/00

See application file for complete search history.

(56) **References Cited**

**U.S. PATENT DOCUMENTS**

D319,632 S \* 9/1991 Heimburger ..... D14/398  
D404,392 S \* 1/1999 Inbal et al. .... D14/392  
D460,070 S \* 7/2002 Chang ..... D14/392  
6,937,468 B2 \* 8/2005 Lin et al. .... 361/679.41  
D658,177 S \* 4/2012 Song et al. .... D14/392

8,599,542 B1 \* 12/2013 Healey et al. .... 361/679.17  
D701,214 S \* 3/2014 Gengler ..... D14/447  
2012/0066424 A1 \* 3/2012 Gentil ..... 710/303  
2013/0039000 A1 \* 2/2013 Vicente et al. .... 361/679.41  
2013/0155583 A1 \* 6/2013 Yang et al. .... 361/679.01  
2014/0002974 A1 \* 1/2014 Kuo et al. .... 361/679.01

\* cited by examiner

*Primary Examiner* — Freda S Nunn

(74) *Attorney, Agent, or Firm* — Staas & Halsey LLP

(57) **CLAIM**

The ornamental design for a keyboard, as shown and described.

**DESCRIPTION**

FIG. 1 is a perspective view of front, top and right side of a keyboard showing our new design;

FIG. 2 is a perspective view of rear, top and left side thereof;

FIG. 3 is a front view thereof;

FIG. 4 is a rear view thereof;

FIG. 5 is a left side view thereof;

FIG. 6 is a right side view thereof;

FIG. 7 is a top view thereof;

FIG. 8 is a bottom view thereof;

FIG. 9 is a perspective view thereof showing a state that a tablet-attaching-part is closed;

FIG. 10 is a perspective view thereof showing a state that a tablet-attaching-part is closed;

FIG. 11 is a perspective view thereof showing a state that a tablet is attached;

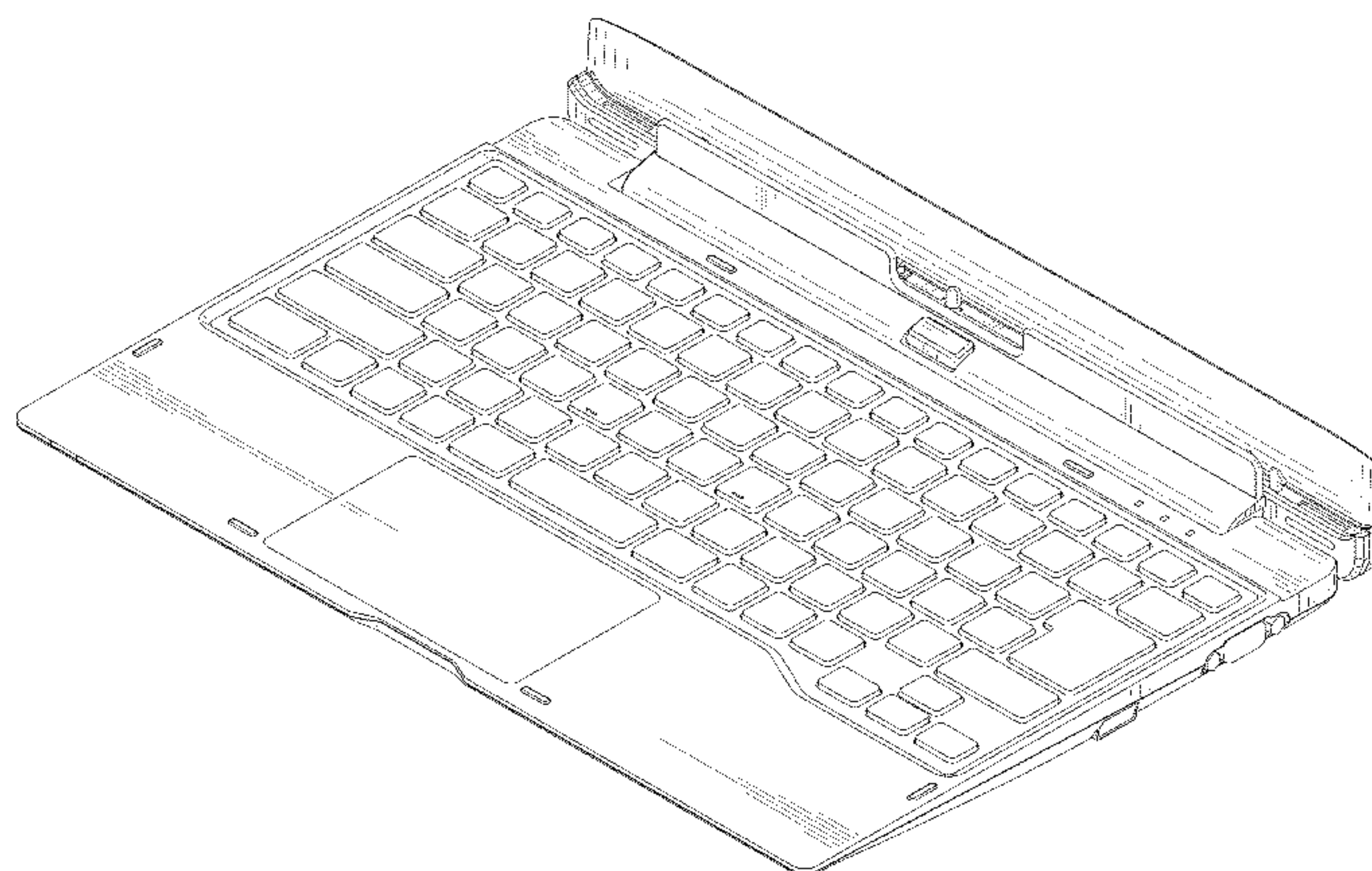
FIG. 12 is a perspective view thereof showing a state that a tablet is attached;

FIG. 13 is a perspective view thereof showing a state that a tablet is attached and closed; and,

FIG. 14 is a perspective view thereof showing a state that a tablet is attached and closed.

The broken lines shown are included for the purpose of illustrating the unclaimed portions of a keyboard and form no part of the claimed design.

**1 Claim, 12 Drawing Sheets**



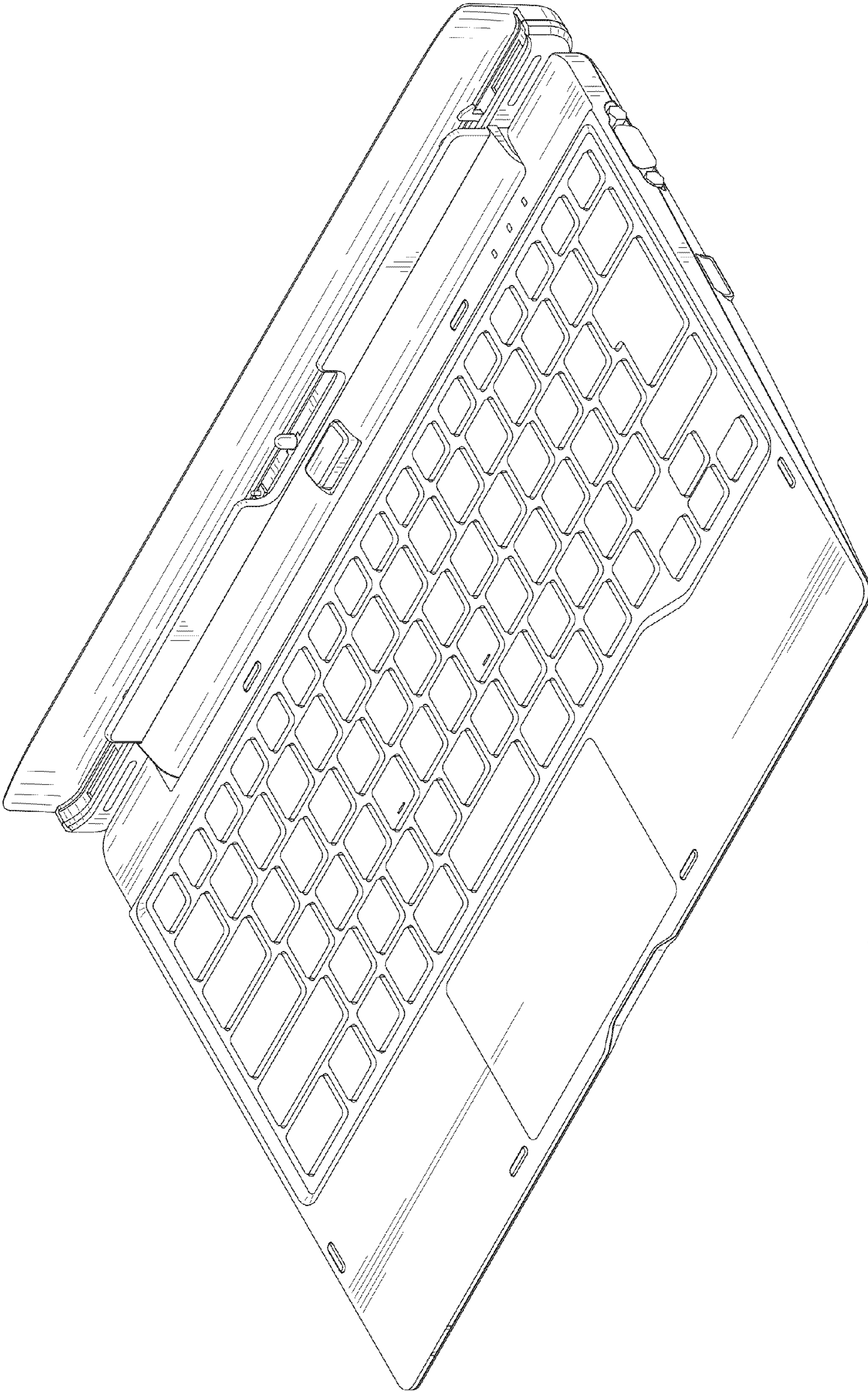


FIG. 1



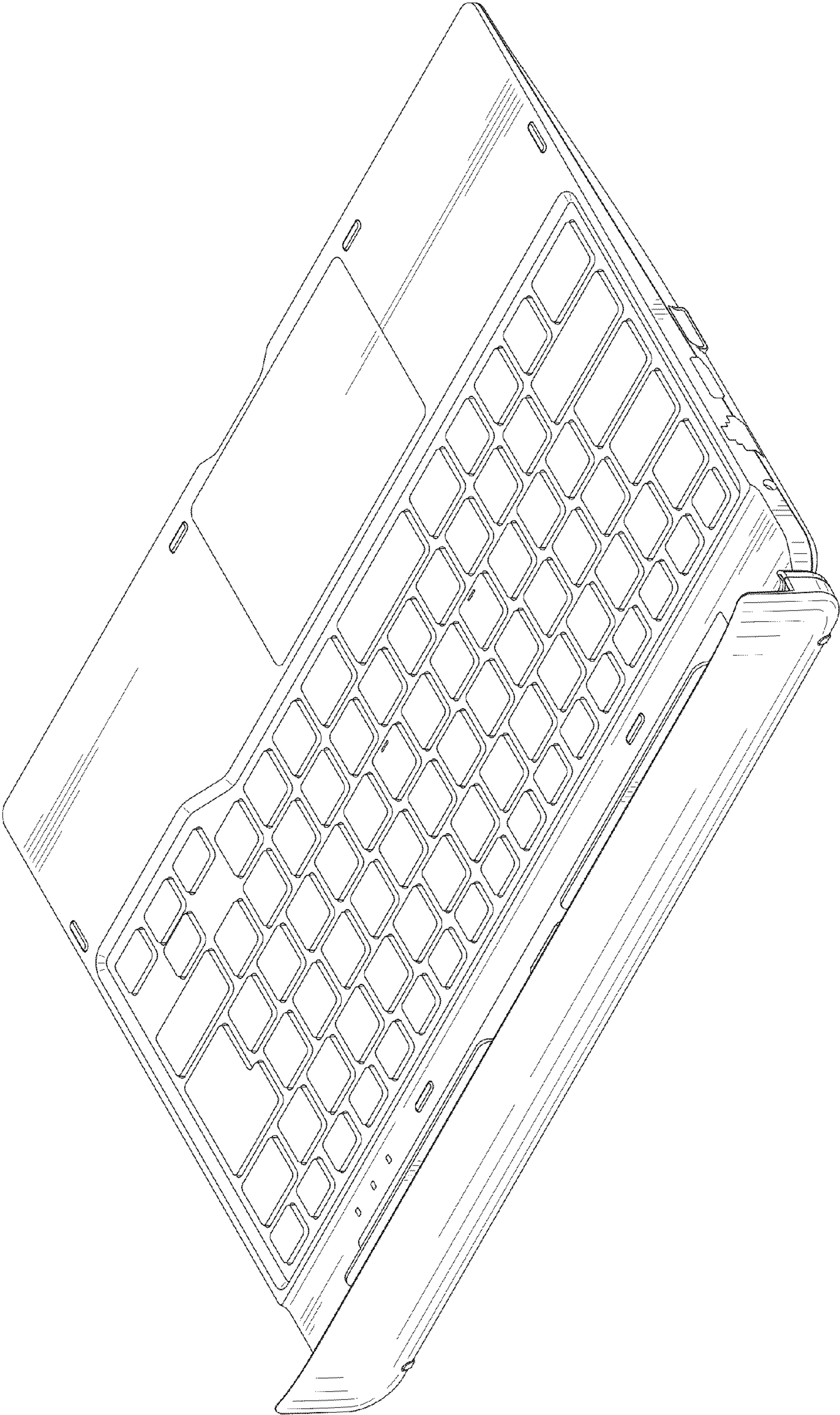


FIG. 2

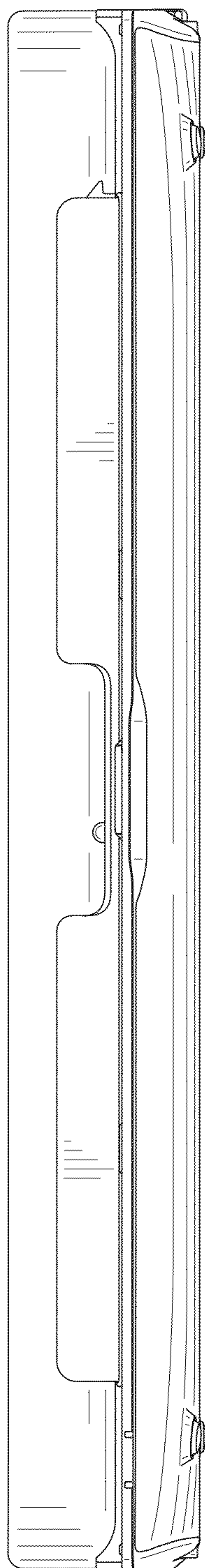


FIG. 3

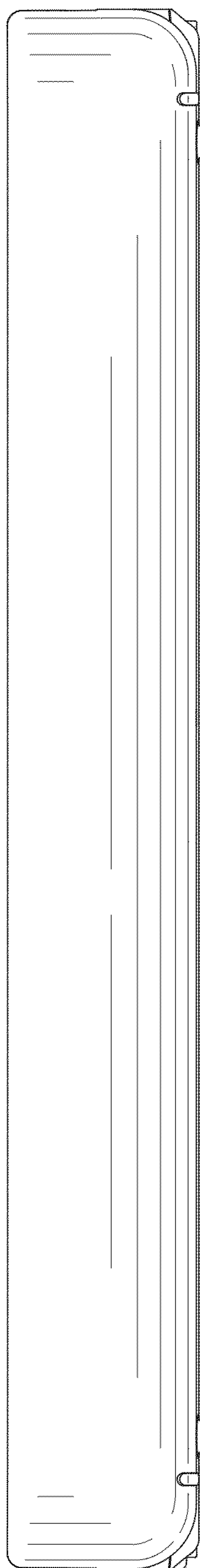


FIG. 4

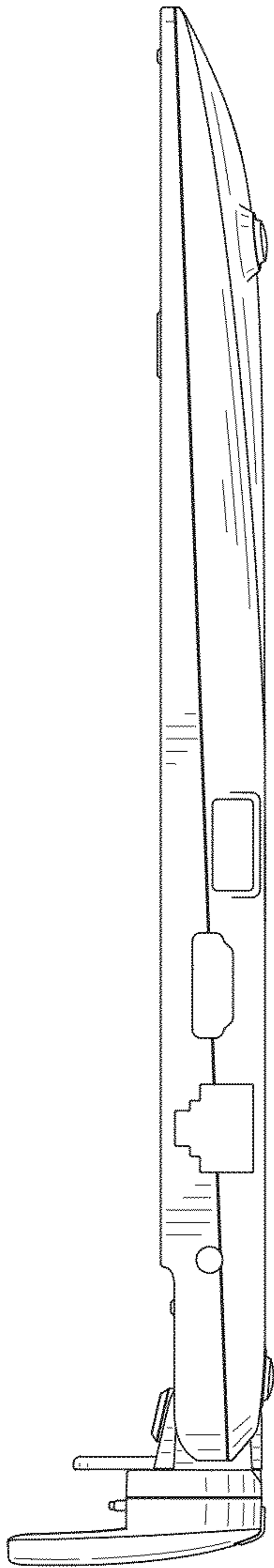


FIG. 5

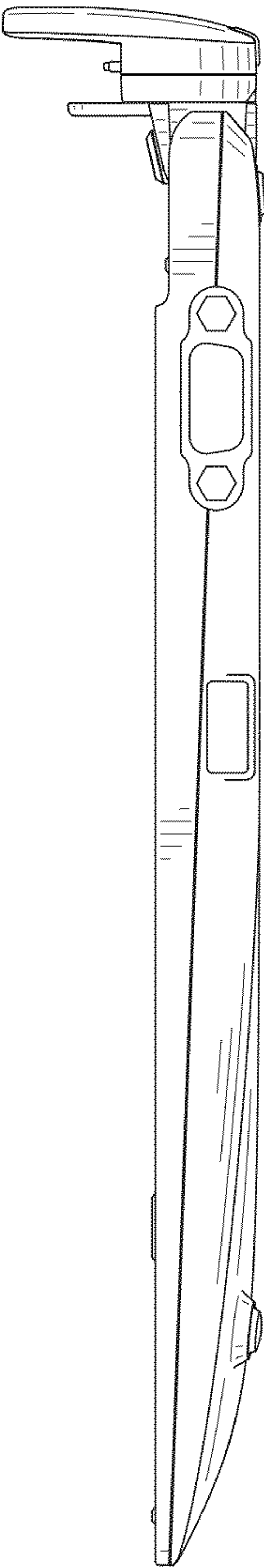


FIG. 6



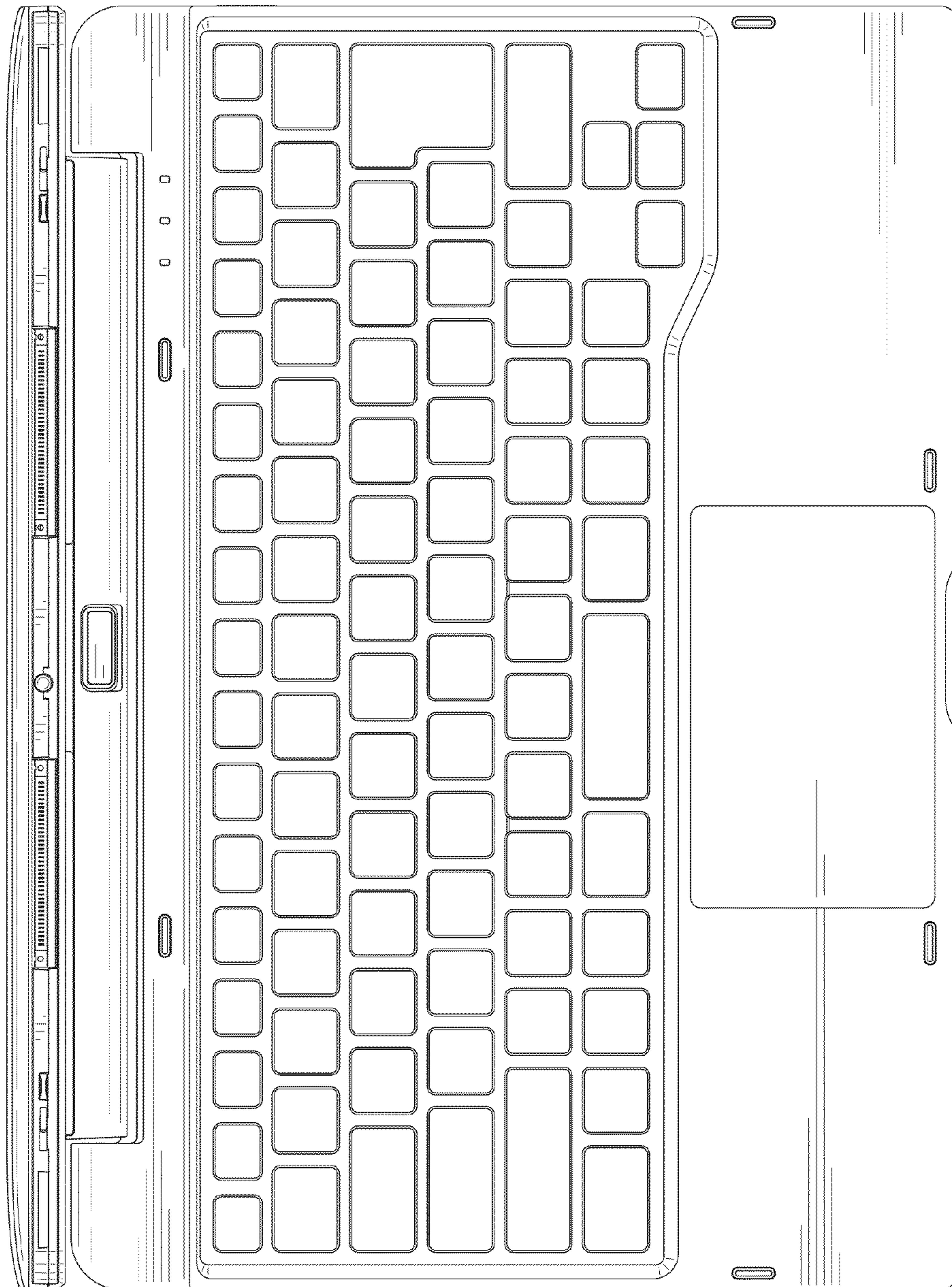


FIG. 7

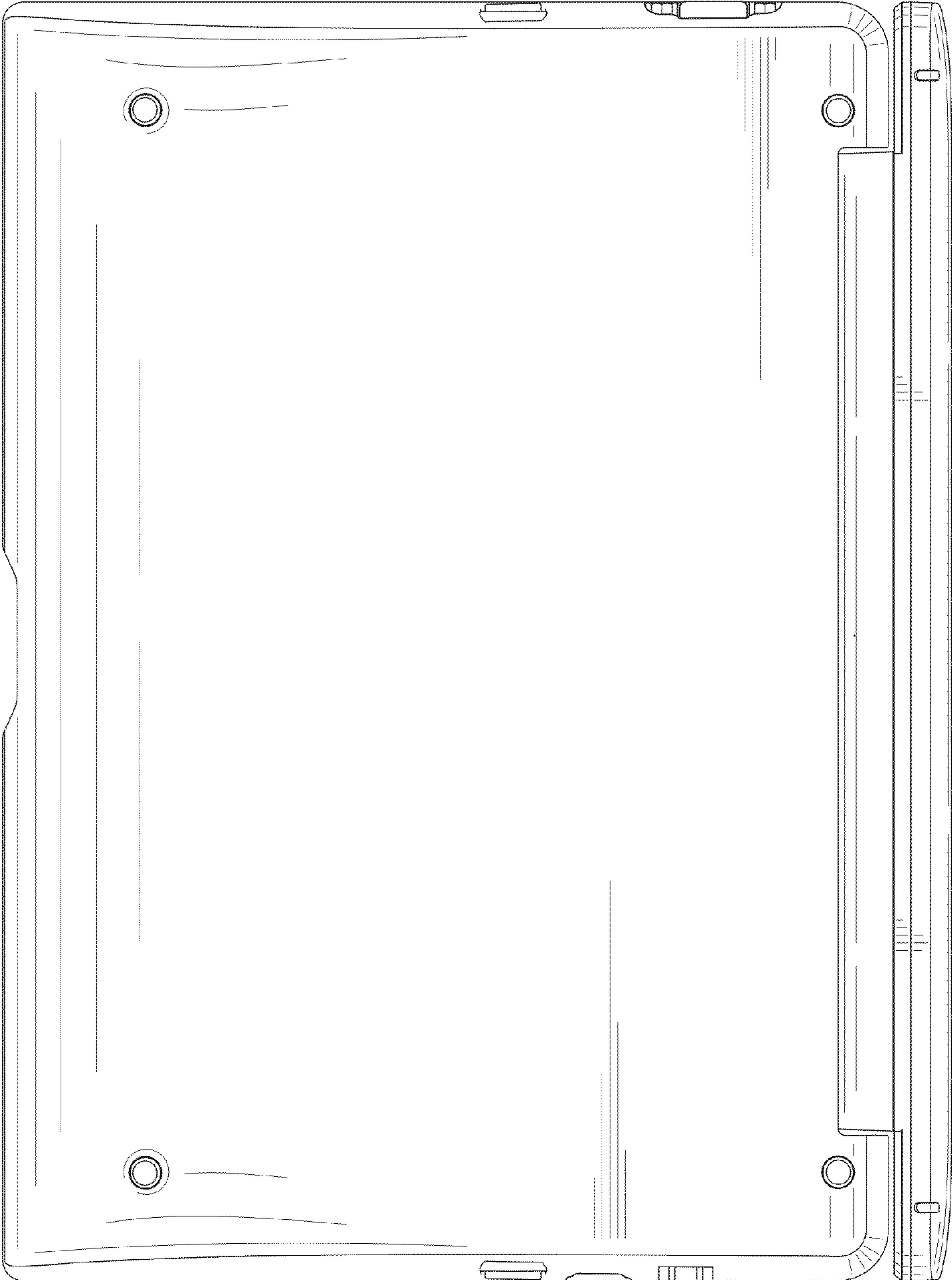


FIG. 8

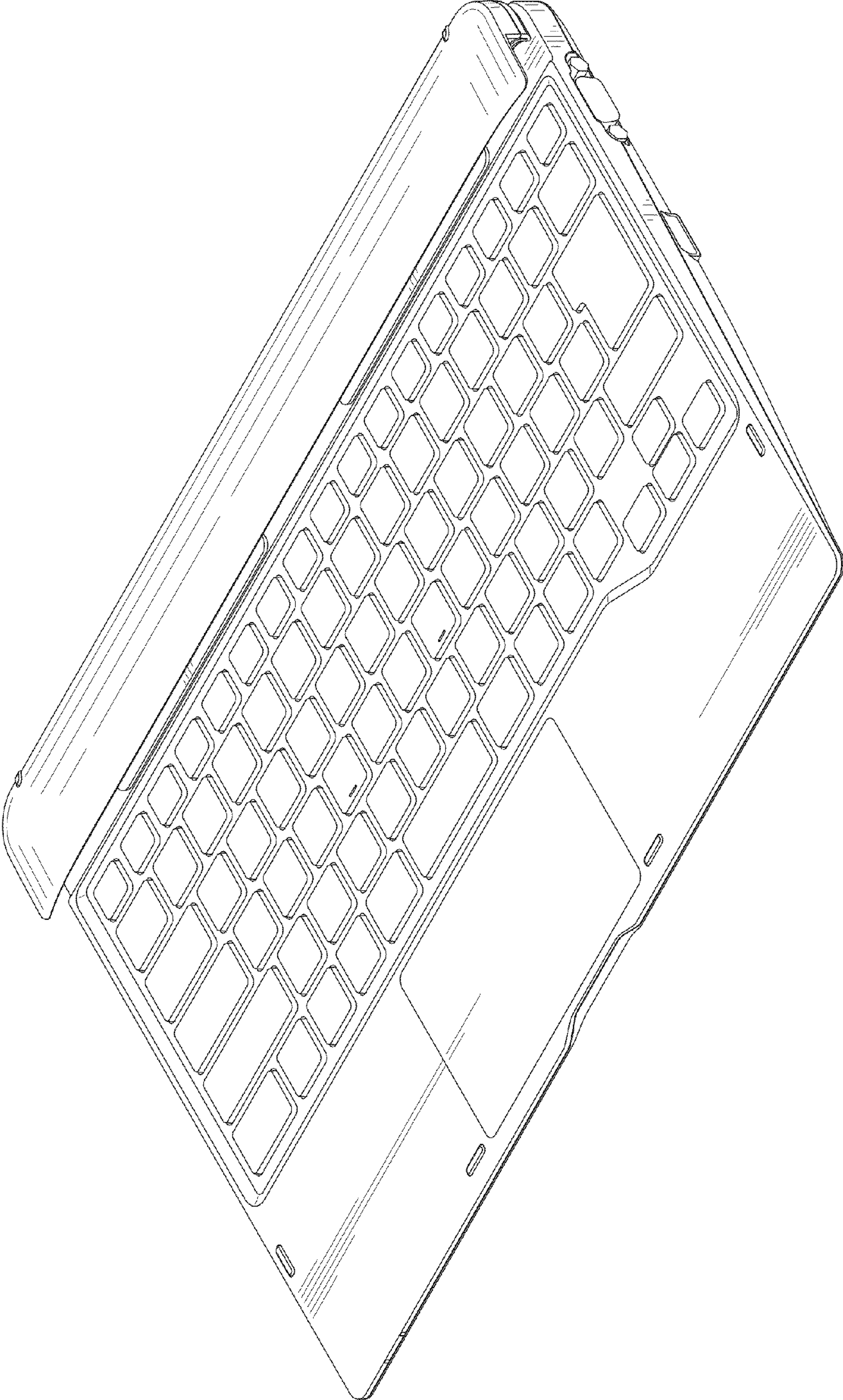


FIG. 9



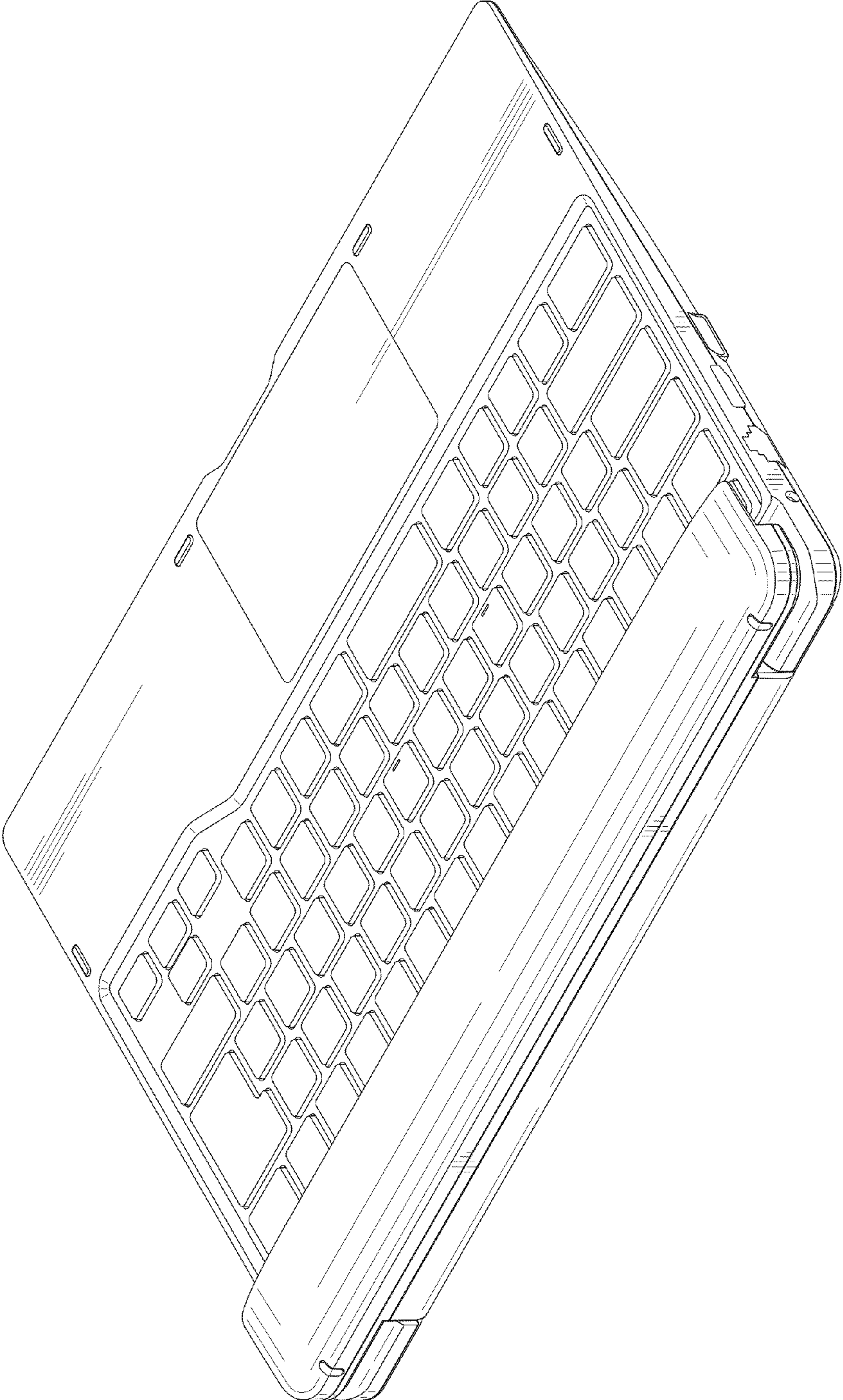


FIG. 10

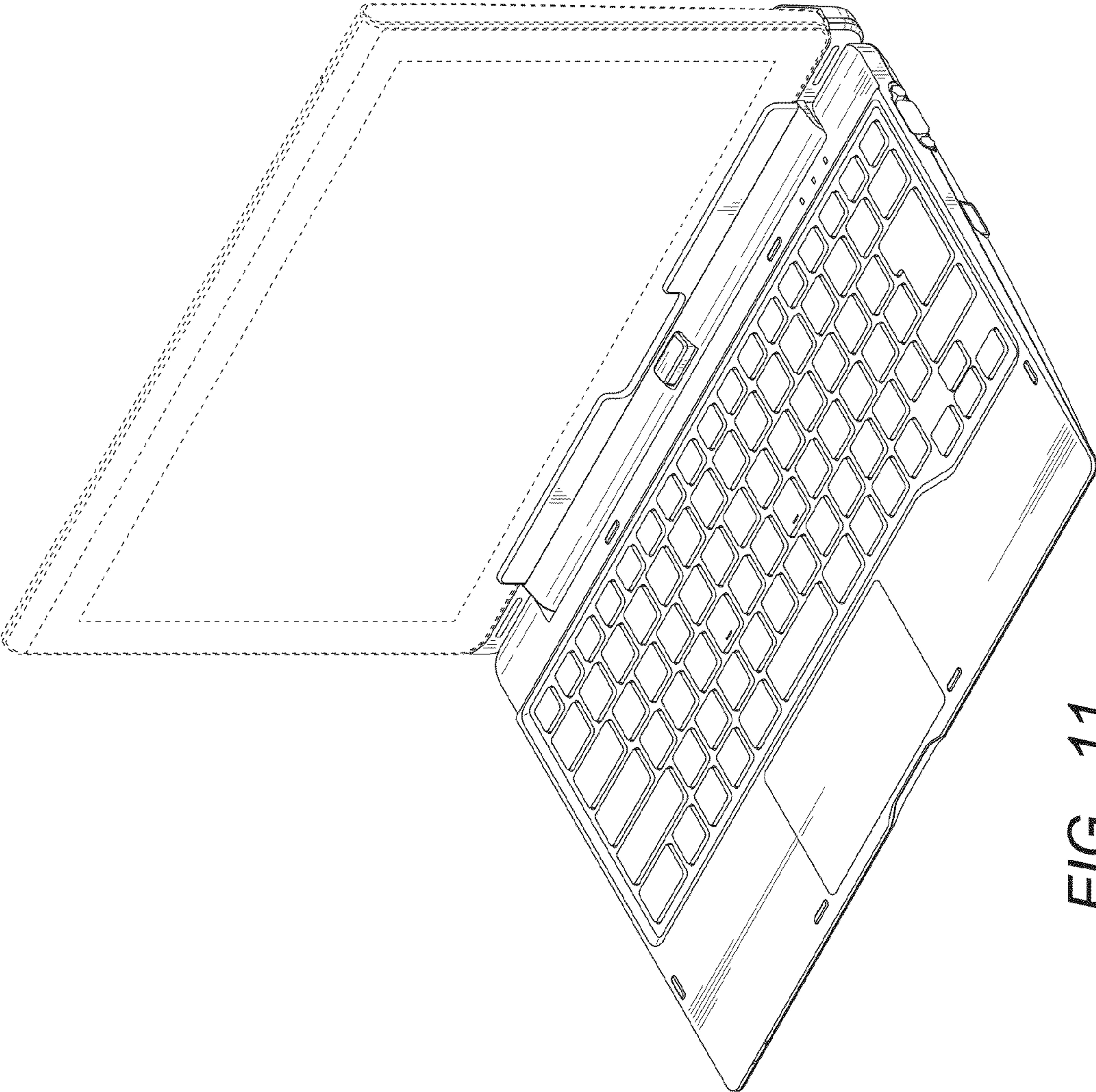


FIG. 11

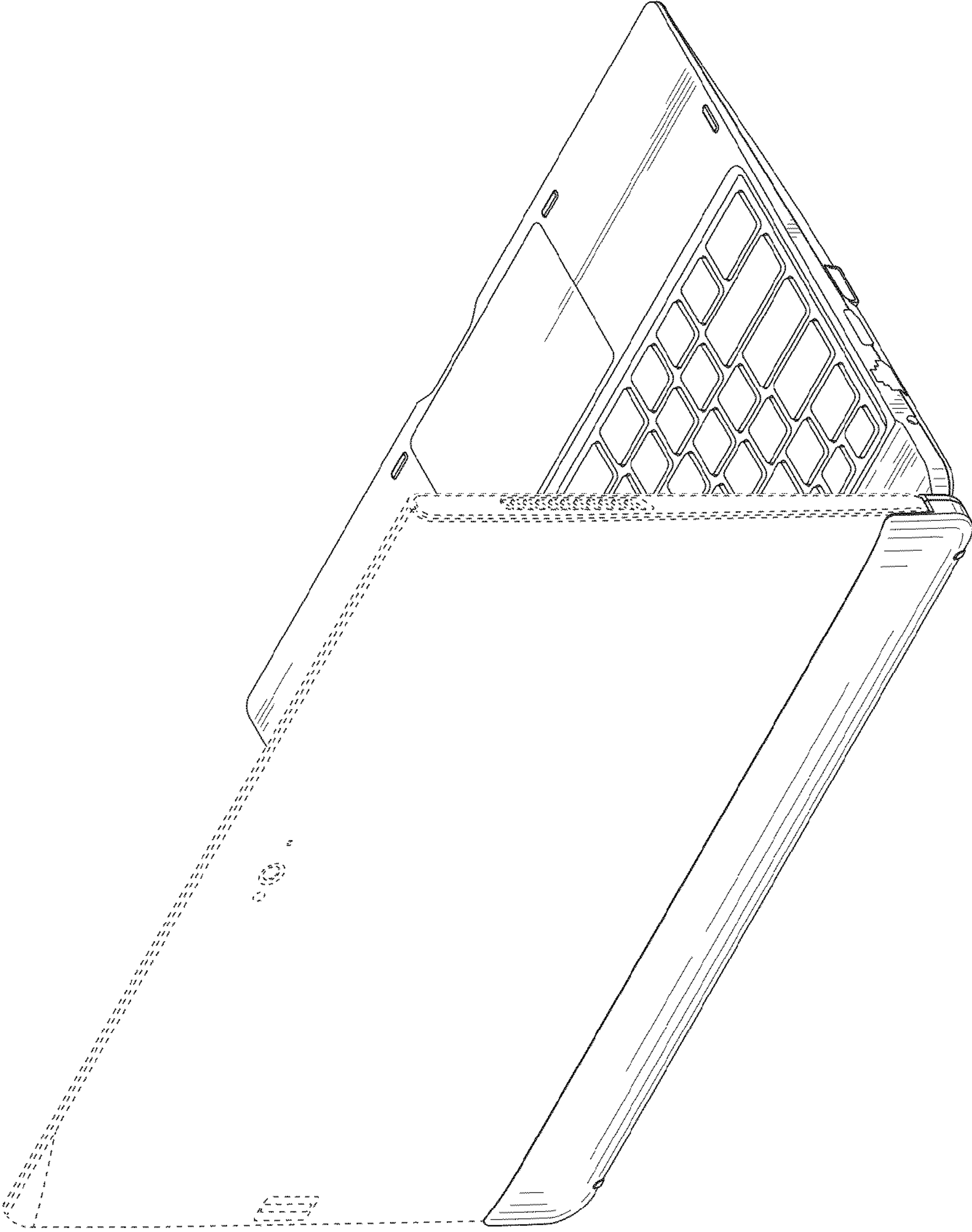


FIG. 12



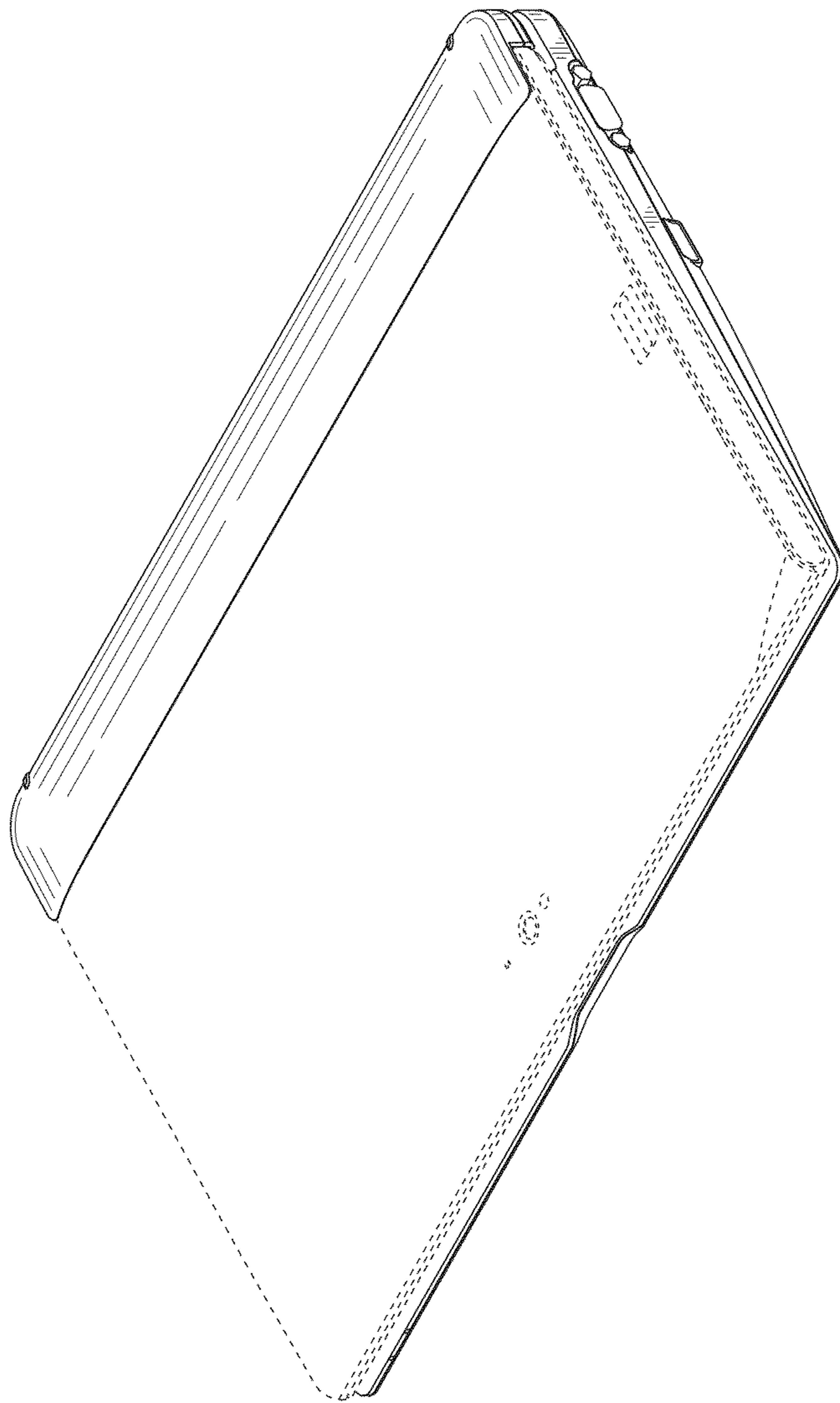


FIG. 13

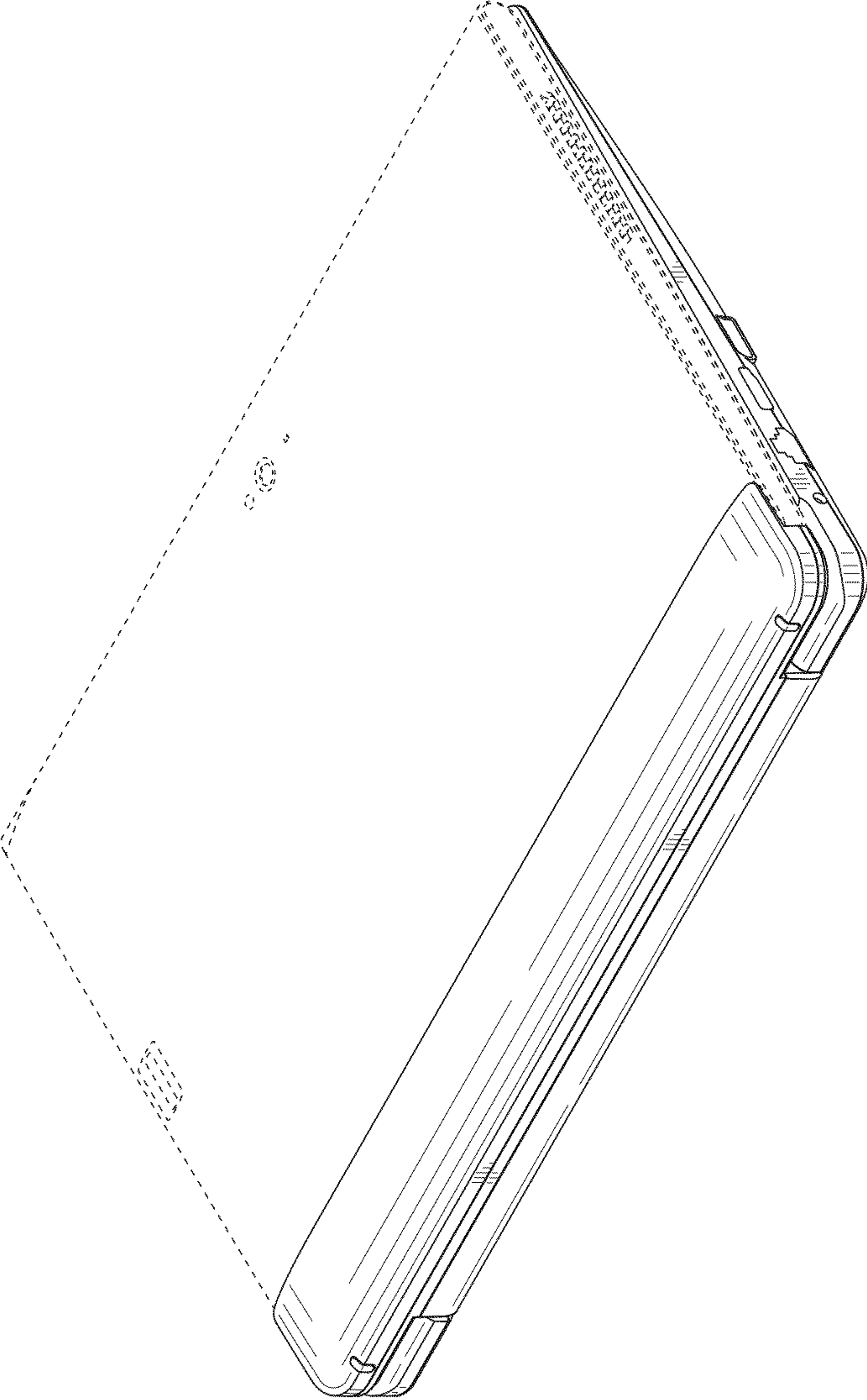


FIG. 14