



US00D740291S

(12) **United States Design Patent**
Turksu et al.

(10) **Patent No.:** **US D740,291 S**
(45) **Date of Patent:** **** Oct. 6, 2015**

(54) **CLAMP HUB FOR COMPUTER ACCESSORIES**

(71) Applicant: **SARIANA, LLC**, San Diego, CA (US)

(72) Inventors: **Alan Turksu**, San Diego, CA (US);
Mustafa Burak Guclu, San Diego, CA (US)

(73) Assignee: **SARIANA, LLC**, San Diego, CA (US)

(**) Term: **14 Years**

(21) Appl. No.: **29/519,478**

(22) Filed: **Mar. 5, 2015**

(51) **LOC (10) Cl.** **14-02**

(52) **U.S. Cl.**
USPC **D14/433**

(58) **Field of Classification Search**
USPC D14/356, 432-434, 453, 454, 511,
D14/203.8, 209.1, 238.1, 240, 125;
439/638, 928, 105, 502; 710/303, 304;
361/679.41, 679.55, 679.56; D13/110,
D13/133, 146
CPC ... H04L 12/2832; H04L 12/2838; G06F 3/00;
G06F 5/00; G06F 13/14
See application file for complete search history.

(56) **References Cited**

U.S. PATENT DOCUMENTS

D478,086 S * 8/2003 Chuang D14/433
D559,848 S * 1/2008 Siu D14/433
D559,849 S * 1/2008 Siu D14/433
7,499,271 B2 * 3/2009 Wagatsuma et al. 361/679.33
D604,725 S * 11/2009 Chen D14/240

D606,549 S * 12/2009 He D14/480.7
D641,753 S * 7/2011 Obata D14/356
D646,683 S * 10/2011 Tao et al. D14/433
D670,291 S * 11/2012 Dalton D14/433
D688,198 S * 8/2013 Takeshita et al. D13/103
D688,248 S * 8/2013 Tsuda et al. D14/439
D702,242 S * 4/2014 Tsuda et al. D14/439
D709,892 S * 7/2014 Lui D14/433
D717,803 S * 11/2014 Takano et al. D14/439
D720,755 S * 1/2015 Nokuo D14/433
D727,906 S * 4/2015 Neumann D14/433
D733,144 S * 6/2015 Kostrzewski et al. D14/435

* cited by examiner

Primary Examiner — Austin Murphy

(74) *Attorney, Agent, or Firm* — Wagenknecht IP Law Group PC

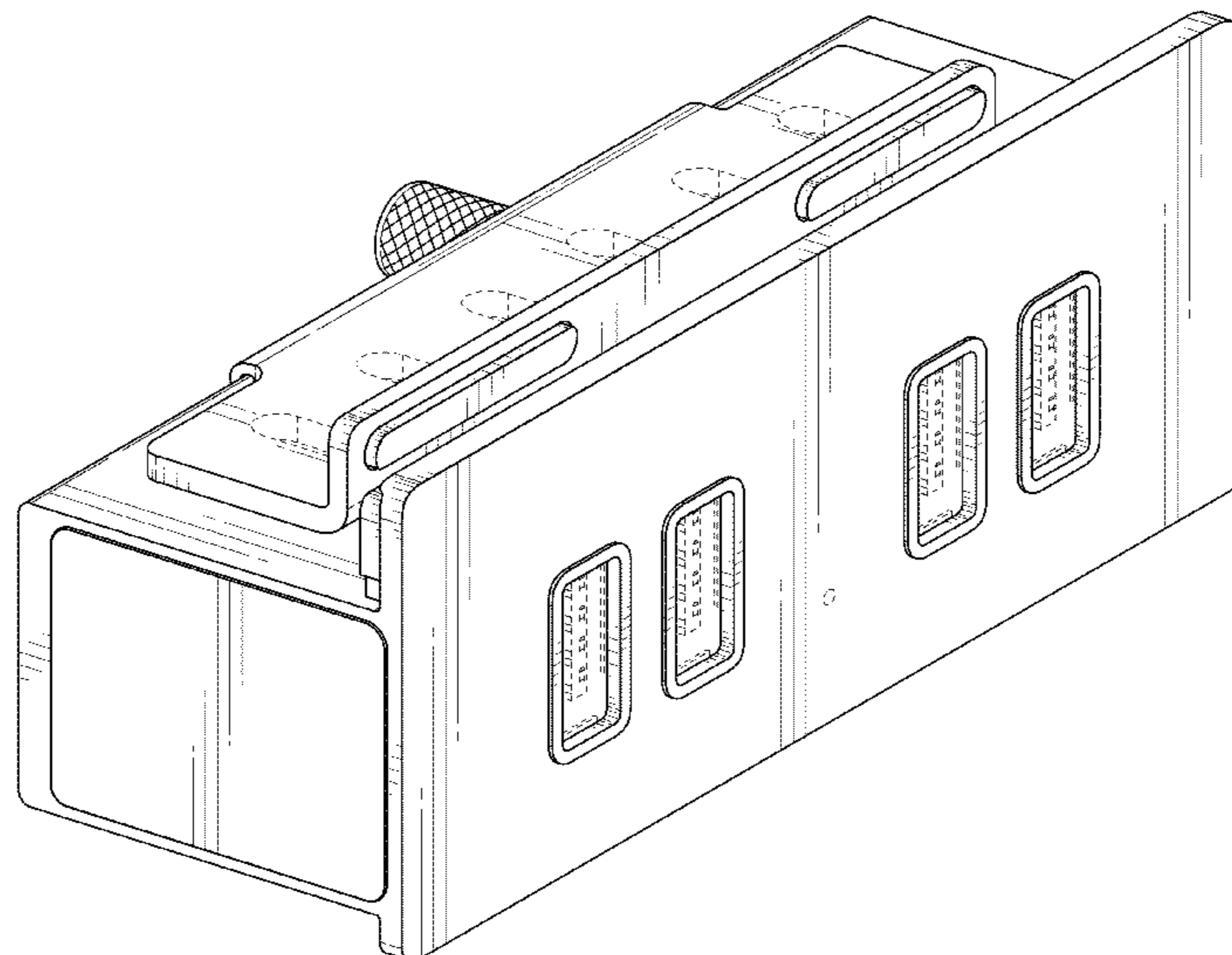
(57) **CLAIM**

What is claimed is an ornamental design for a clamp hub for computer accessories, as shown and described.

DESCRIPTION

FIG. 1 is a top, front left view of a clamp hub for computer accessories showing our new design;
FIG. 2 is a front elevational view thereof;
FIG. 3 is a rear elevational view thereof;
FIG. 4 is a left side elevational view thereof;
FIG. 5 is a right side elevational view thereof;
FIG. 6 is a top plan view thereof;
FIG. 7 is a bottom plan view thereof;
FIG. 8 is a top, rear, left view thereof; and,
FIG. 9 is a top, front, right view showing use of the clamp hub for computer accessories.
Broken lines are included for illustrative purposes only and form no part of the claimed design.

1 Claim, 8 Drawing Sheets



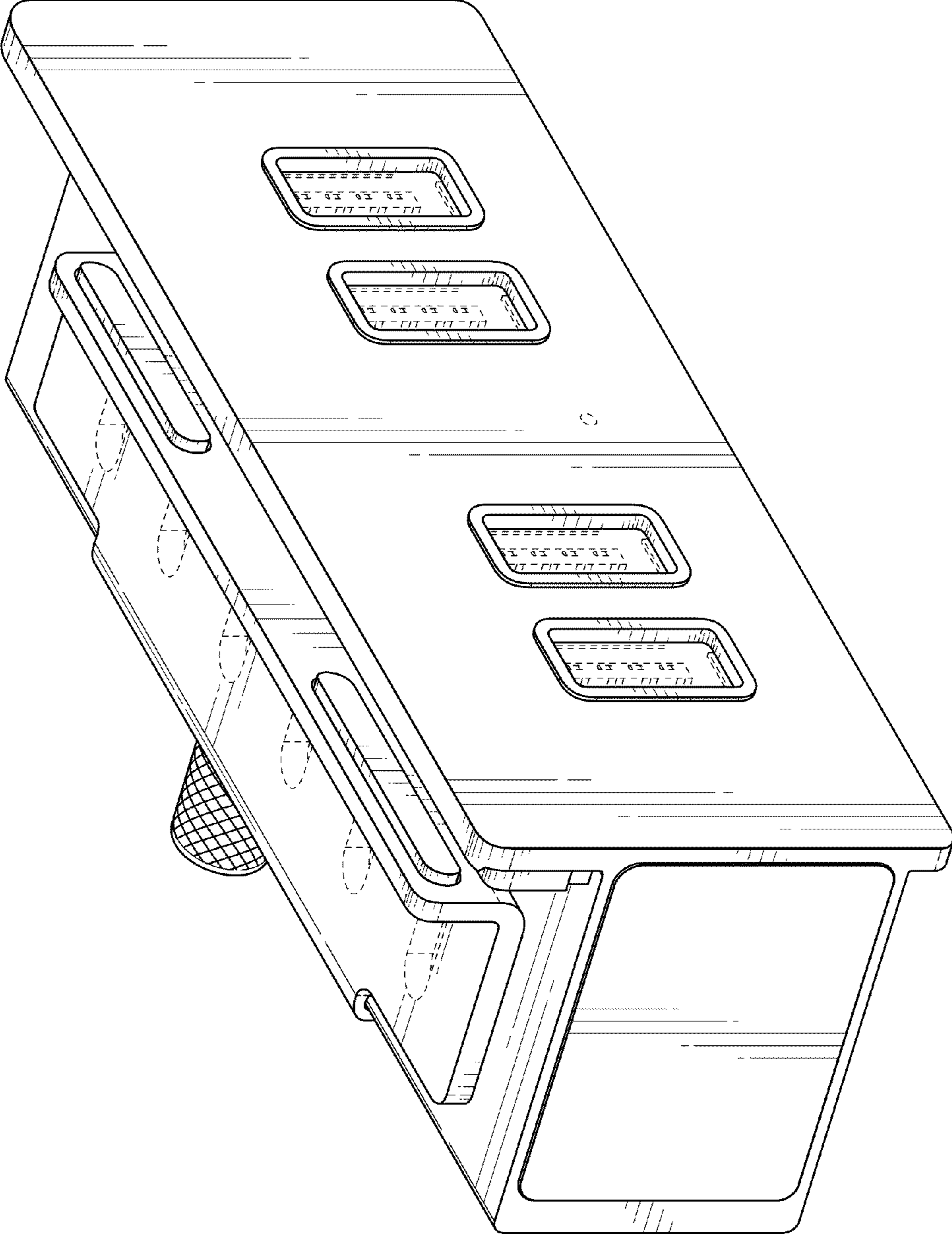


FIG. 1

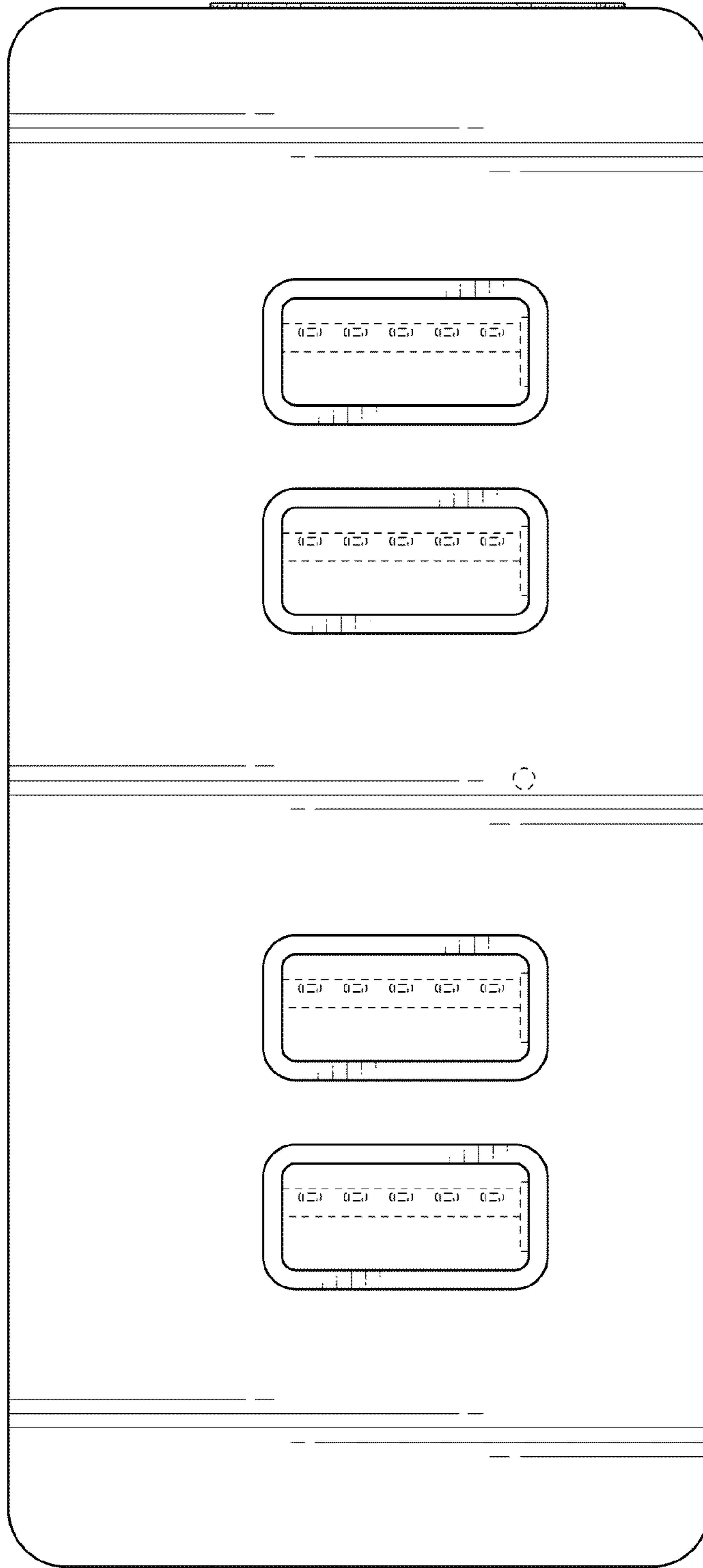


FIG. 2

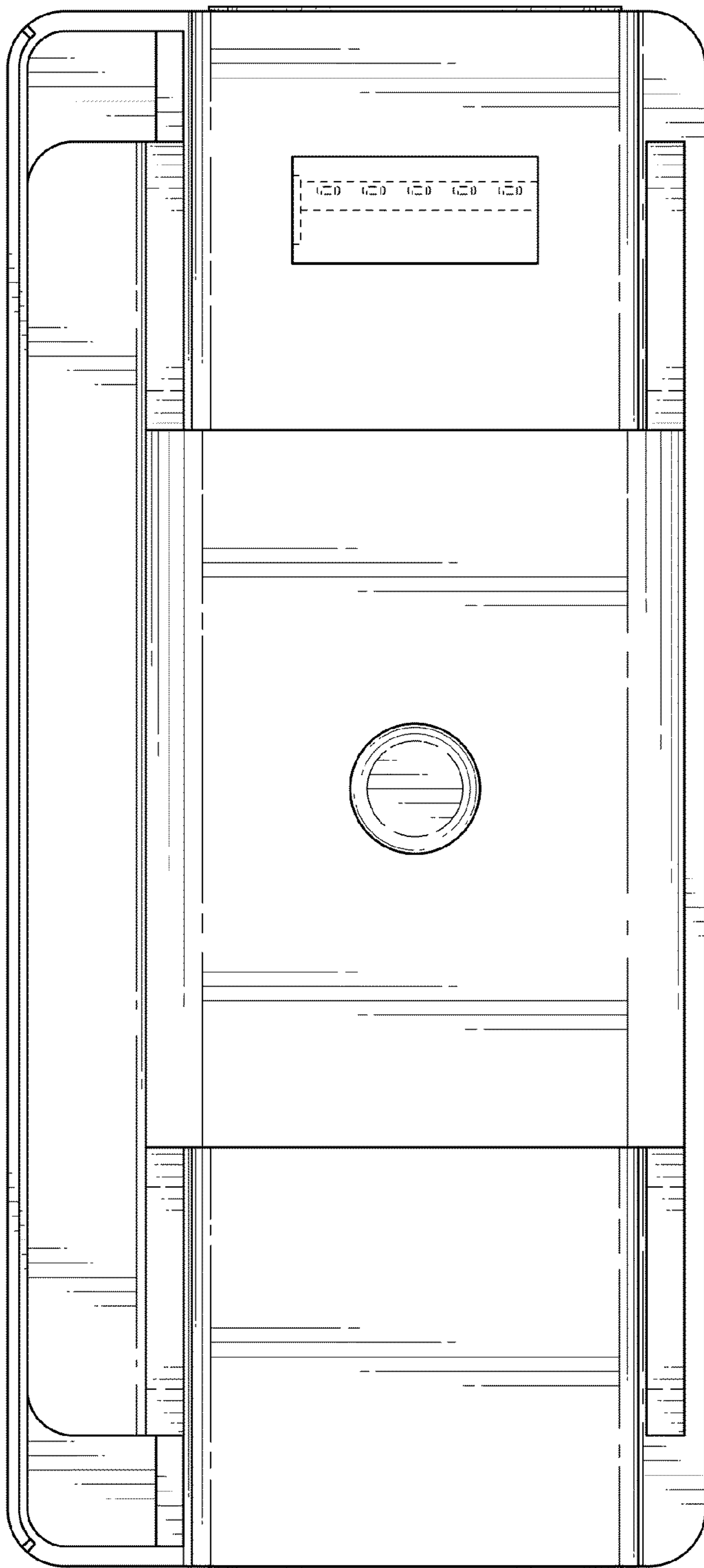


FIG. 3

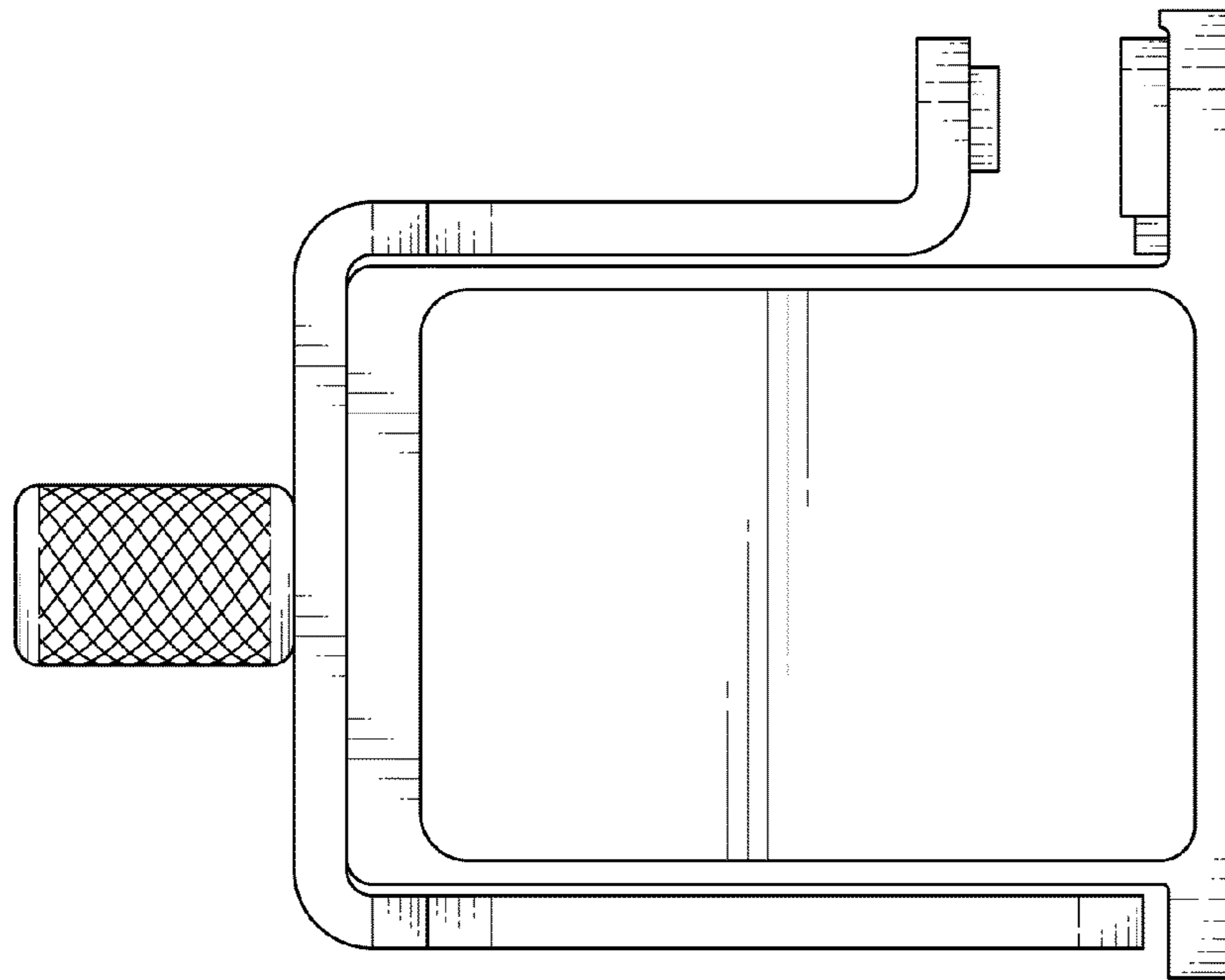


FIG. 4

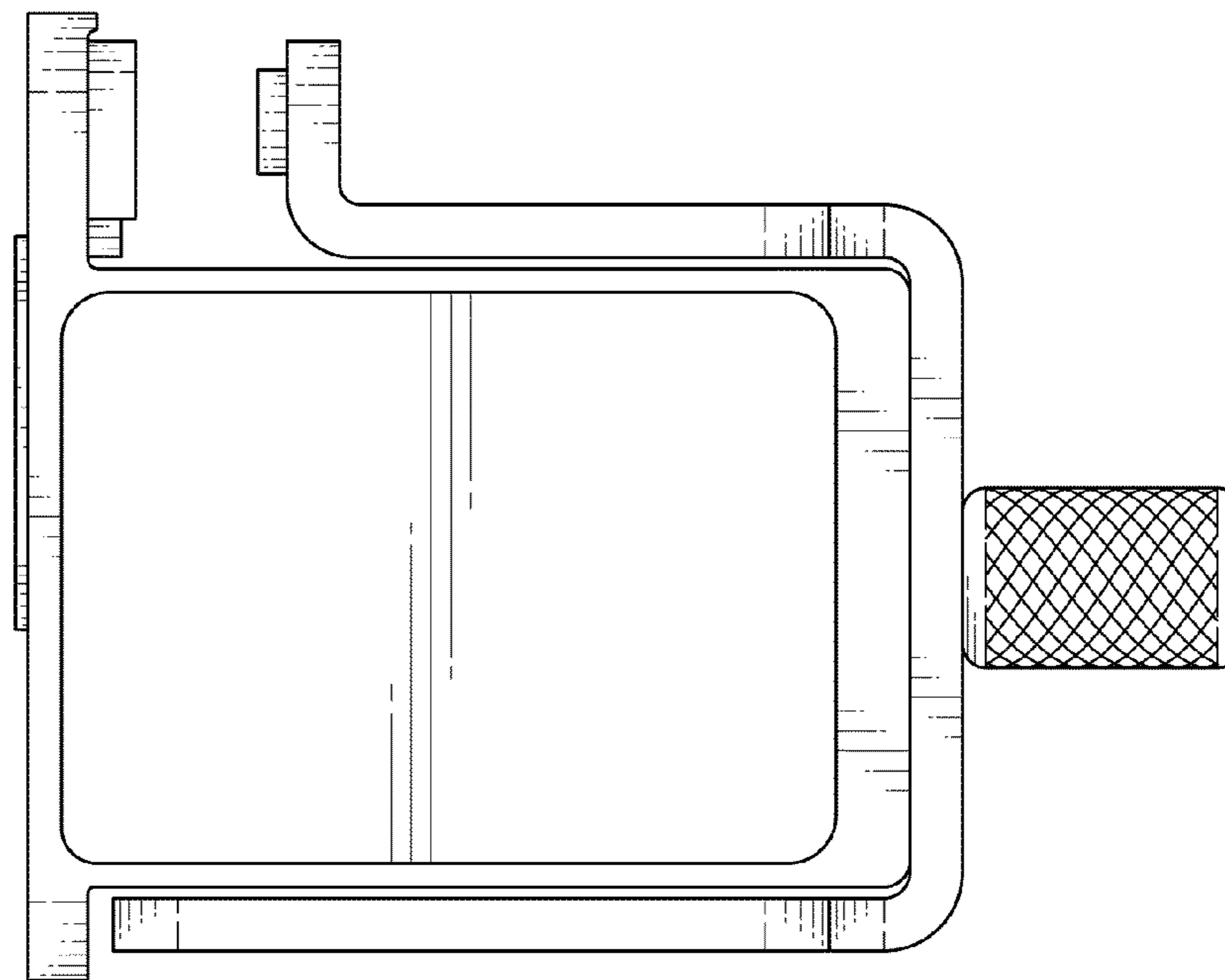


FIG. 5

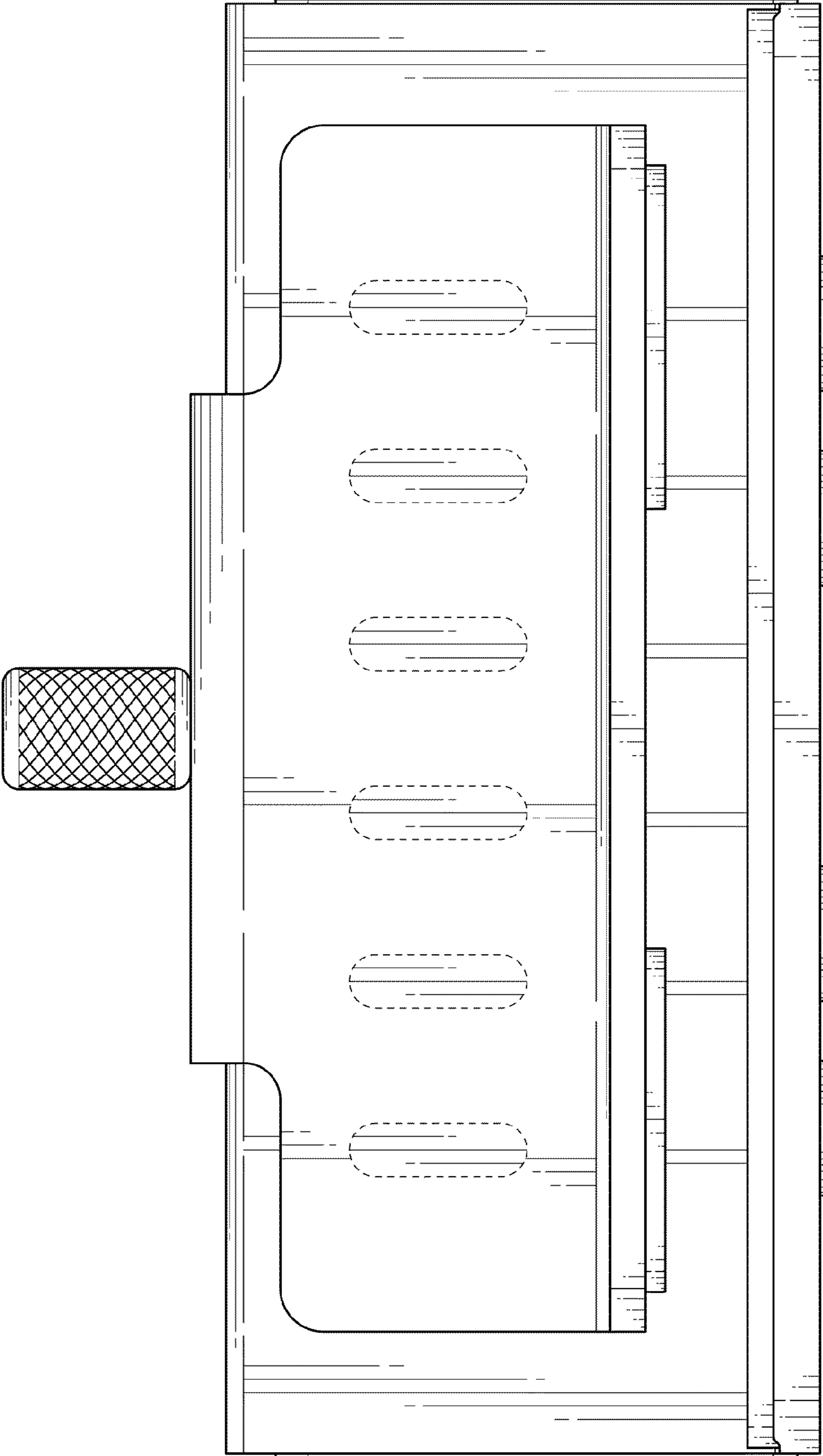


FIG. 6

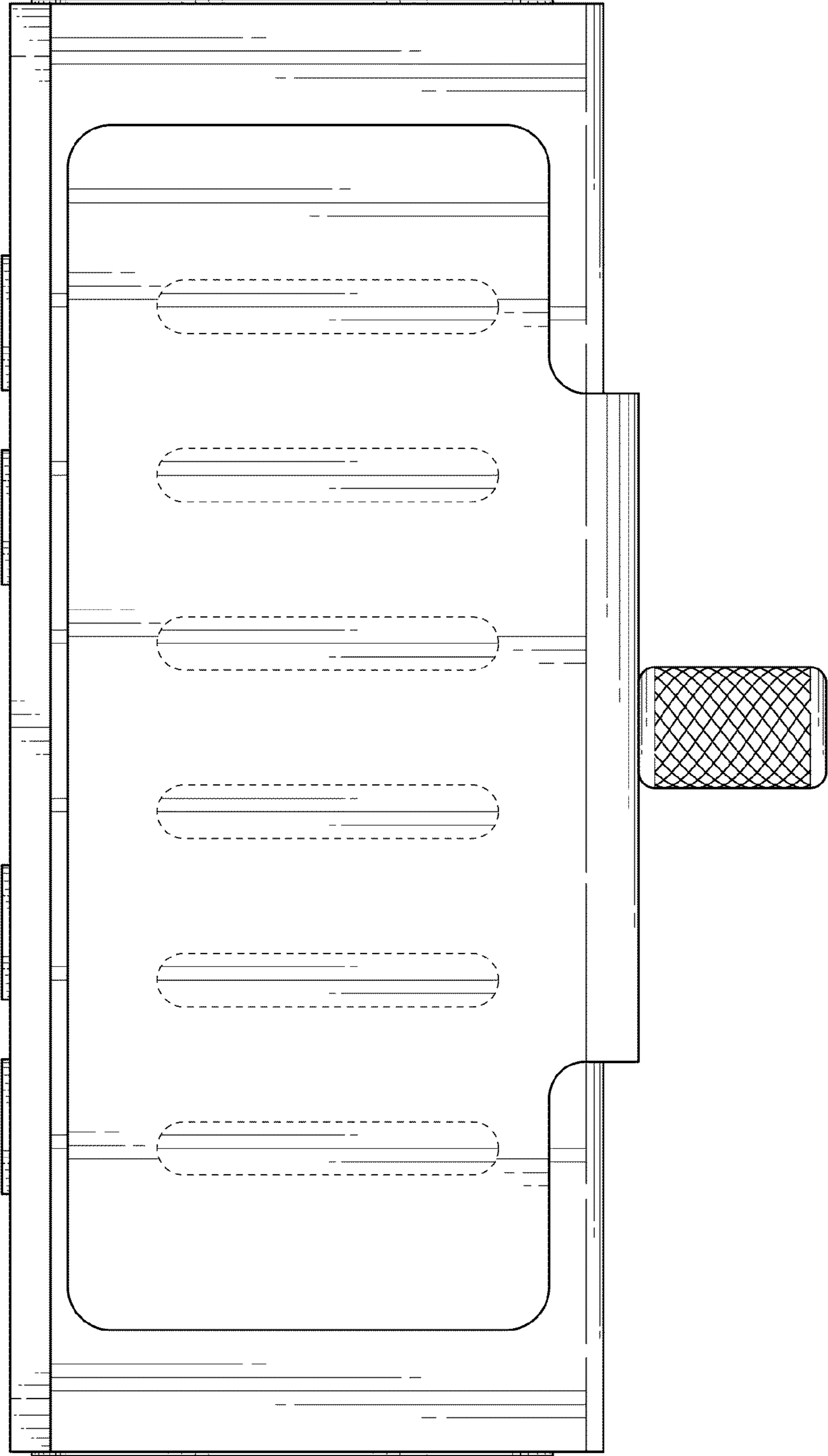


FIG. 7

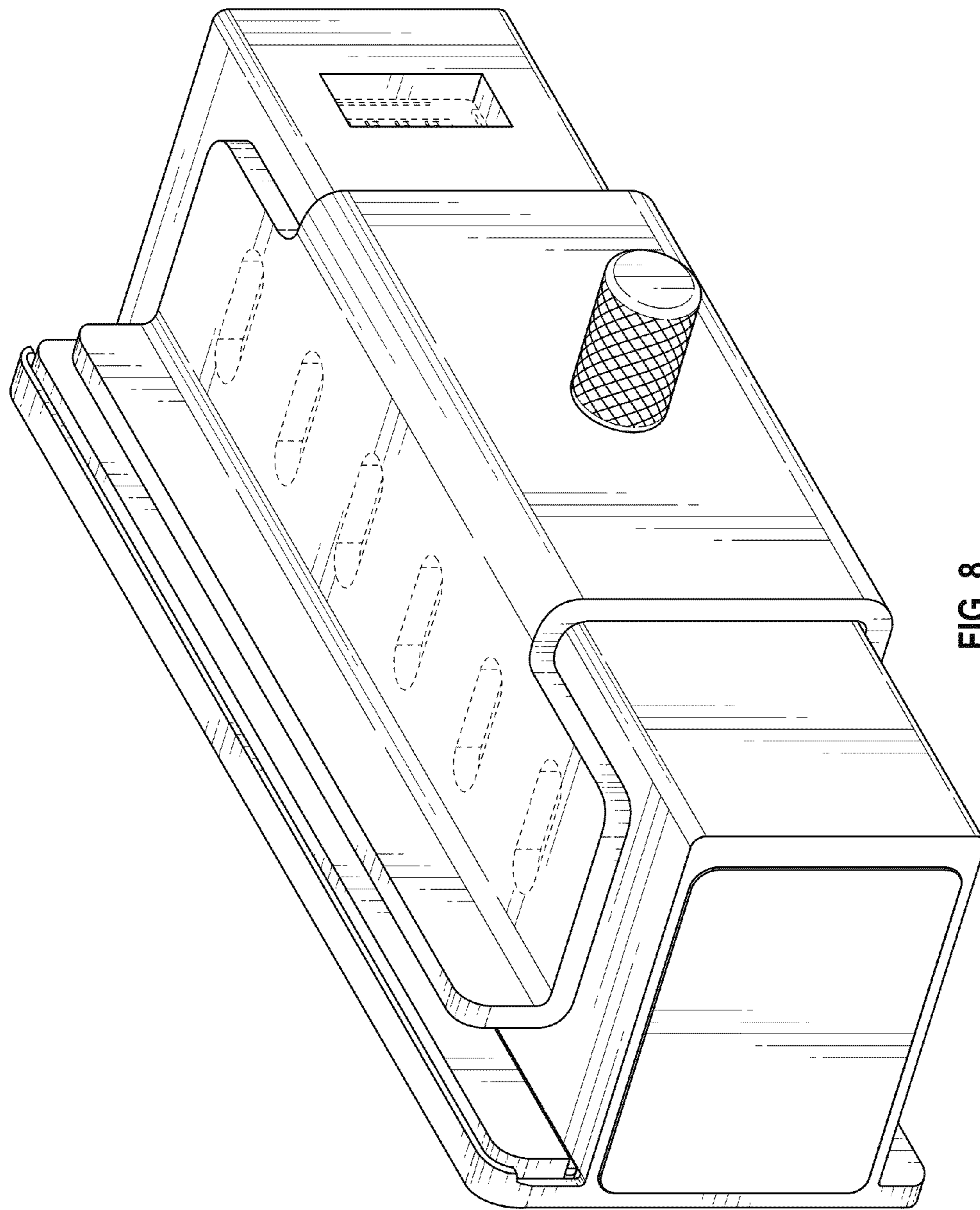


FIG. 8

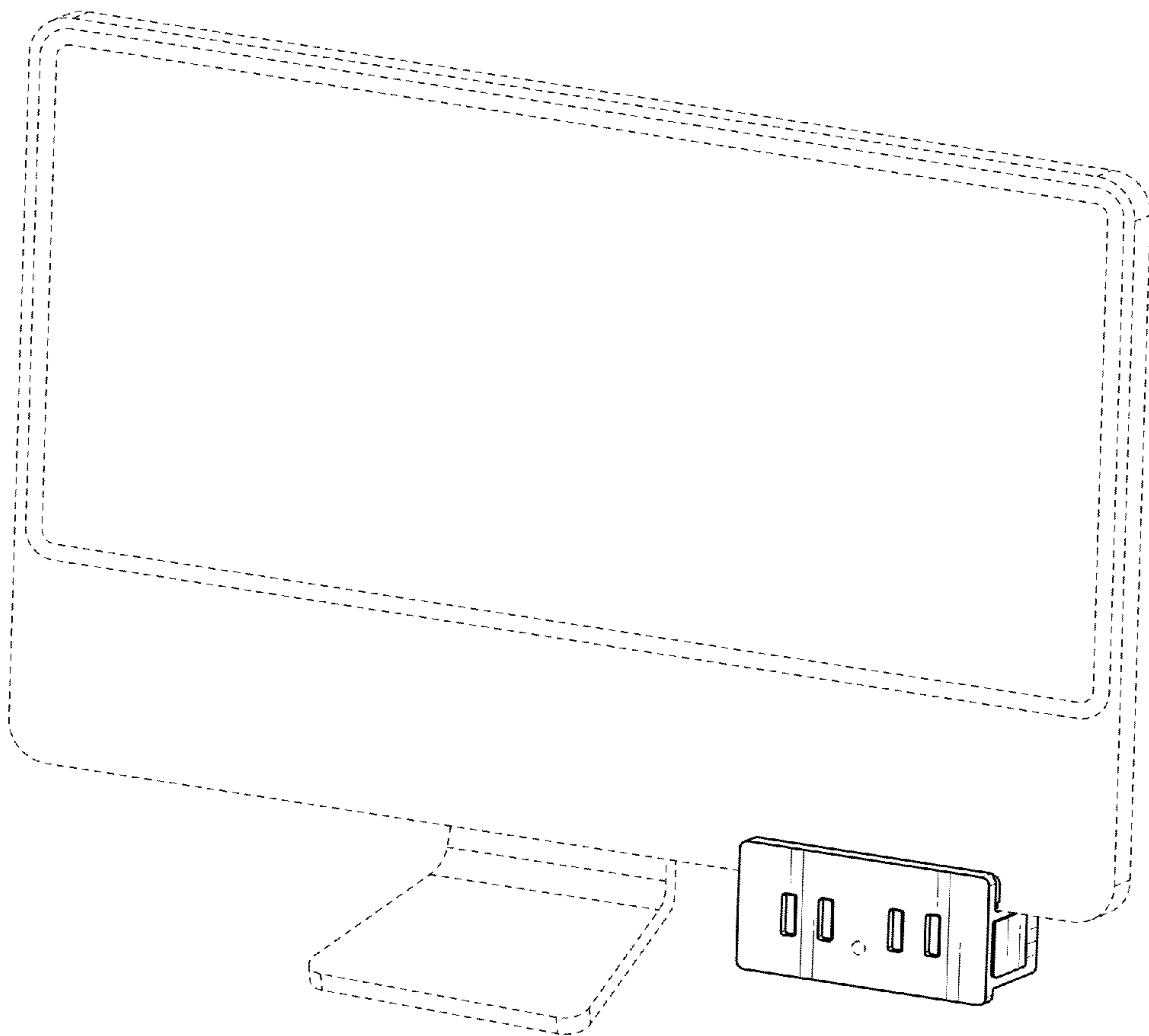


FIG. 9