



US00D740287S

(12) **United States Design Patent**
Peschel et al.

(10) **Patent No.:** **US D740,287 S**

(45) **Date of Patent:** **** Oct. 6, 2015**

(54) **CARD READER FOR MOBILE DEVICE**

(56) **References Cited**

(71) Applicant: **EBAY INC.**, San Jose, CA (US)

U.S. PATENT DOCUMENTS

(72) Inventors: **David Peschel**, San Carlos, CA (US);
Kimberlee Hayashi, San Francisco, CA
(US); **Vincent Pascual**, Pleasanton, CA
(US)

D433,231 S *	11/2000	Kaplan	D3/294
D472,464 S *	4/2003	Snider	D3/294
D492,726 S *	7/2004	Nuttall et al.	D19/65
D675,618 S *	2/2013	Behar et al.	D14/385
D686,208 S *	7/2013	Miller et al.	D14/385
D687,829 S *	8/2013	Miller et al.	D14/385
D700,606 S *	3/2014	Lo	D14/385
D706,266 S *	6/2014	Rotsaert	D14/385

(73) Assignee: **PayPal, Inc.**, San Jose, CA (US)

* cited by examiner

(**) Term: **14 Years**

Primary Examiner — Carla Jobe Wright

Assistant Examiner — Holly E Thurman

(21) Appl. No.: **29/467,893**

(74) *Attorney, Agent, or Firm* — Haynes and Boone, LLP

(22) Filed: **Sep. 24, 2013**

(57) **CLAIM**

The ornamental design for a card reader for a mobile device,
as shown and described.

(51) **LOC (10) Cl.** **14-02**

DESCRIPTION

(52) **U.S. Cl.**

USPC **D14/385**; D18/4.6

(58) **Field of Classification Search**

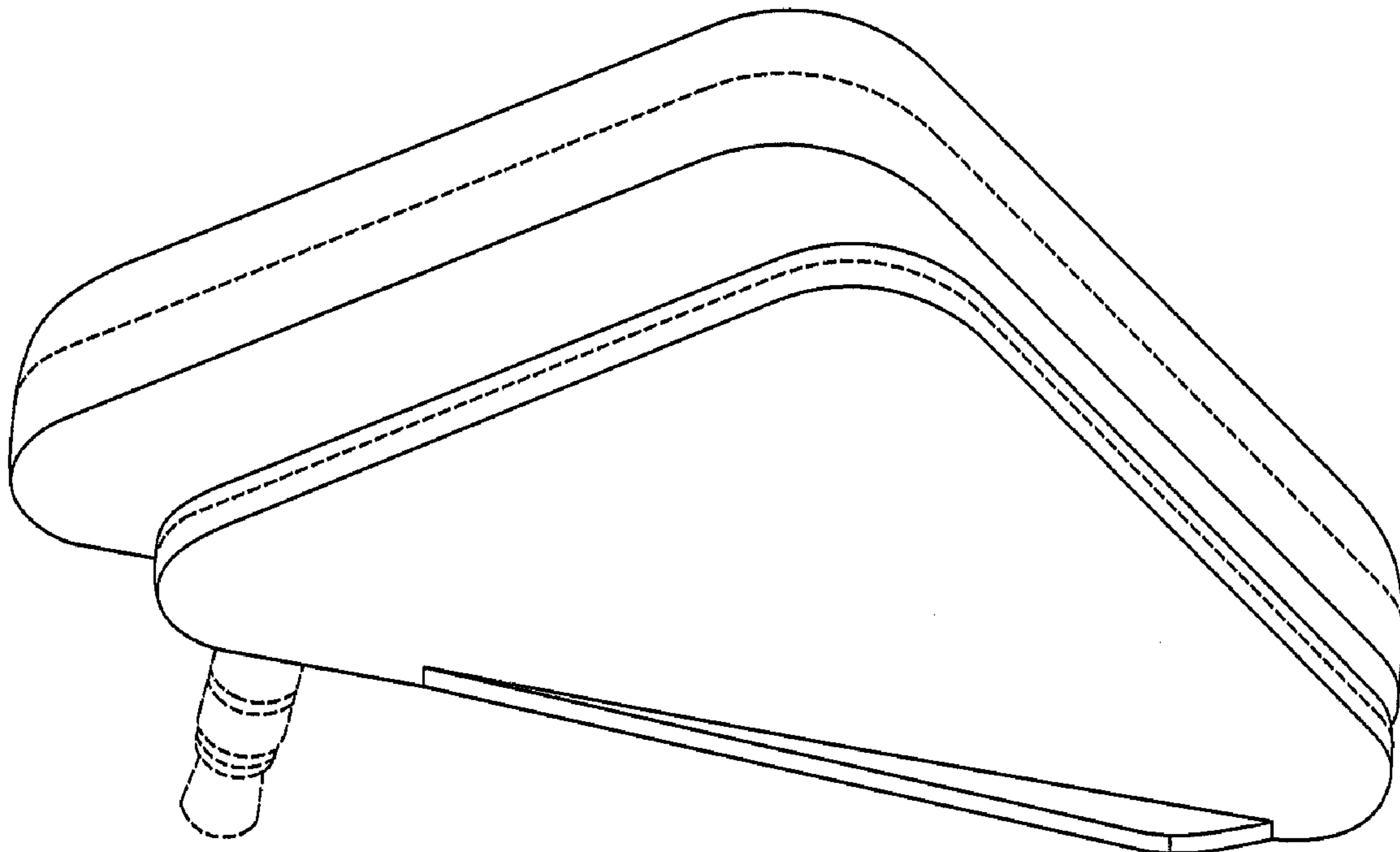
USPC D18/3.1–3.3, 4.1–4.6, 6–8, 11, 12,
D18/12.1–12.3; D21/324, 325, 332;
D99/28, 34–36, 43; 235/1 E, 7 R, 2, 12,
235/22, 33, 51, 52; 705/12, 15–18, 43;
D14/383, 384, 385, 386, 387

CPC H04M 1/6058

See application file for complete search history.

FIG. 1 is a top and front perspective view of a card reader for a mobile device showing our new design;
FIG. 2 is a bottom and front perspective view thereof;
FIG. 3 is a front elevational view thereof;
FIG. 4 is a right side elevational view thereof;
FIG. 5 is a left side elevational view thereof;
FIG. 6 is a rear elevational view thereof;
FIG. 7 is a top plan view thereof; and,
FIG. 8 is bottom plan view thereof.
The broken lines depict portions of the card reader that form no part of the claimed design.

1 Claim, 8 Drawing Sheets



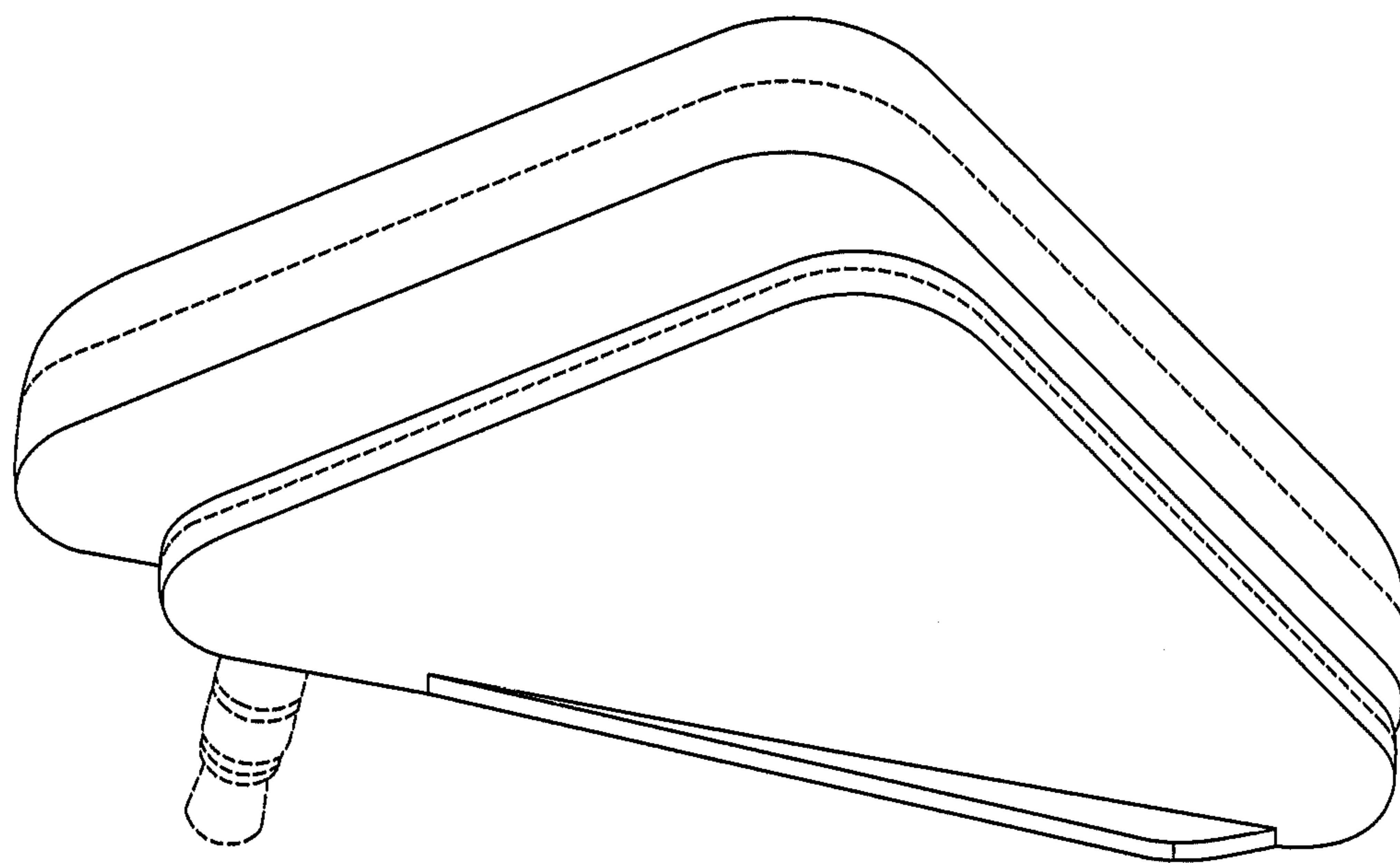


FIG. 1

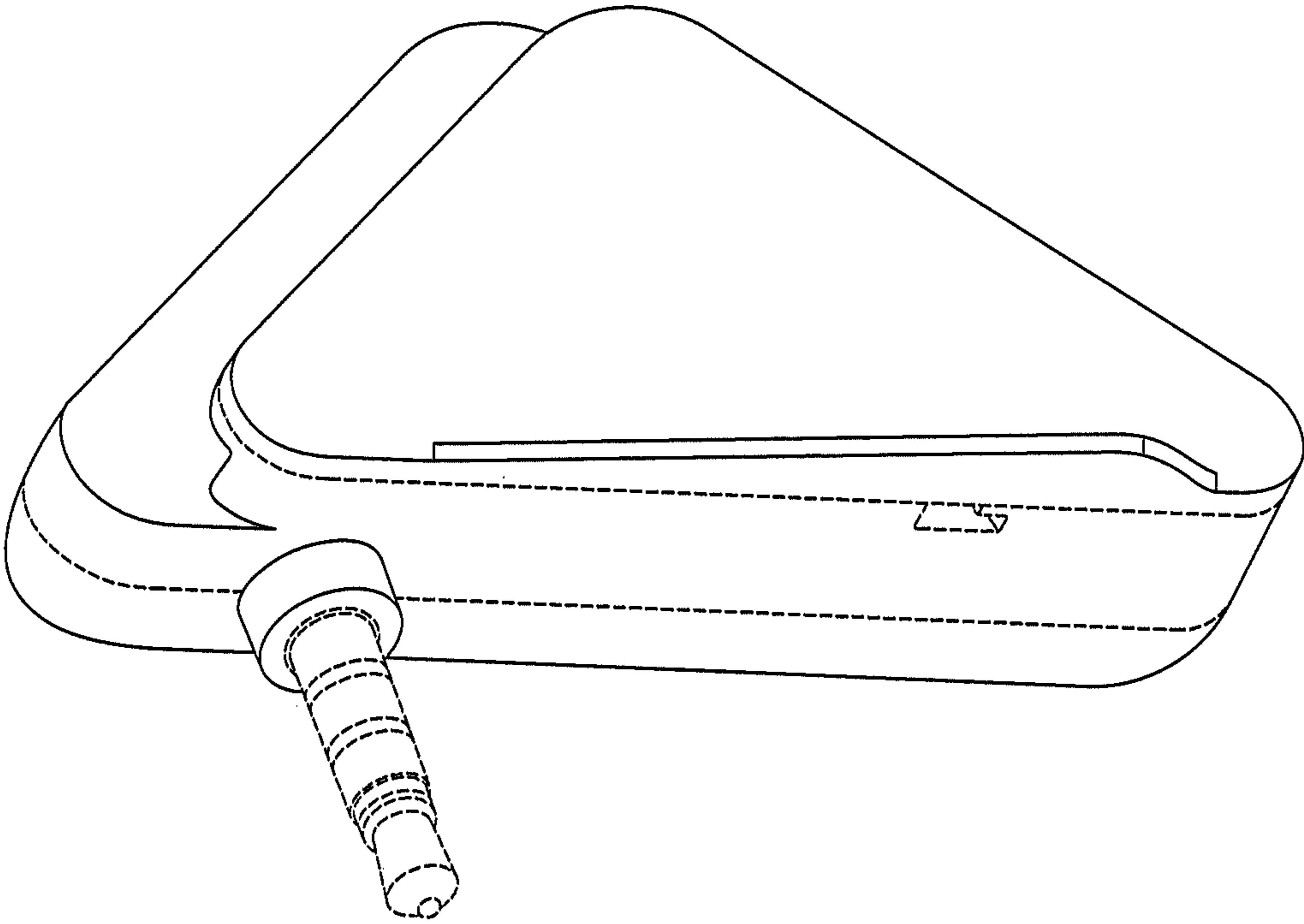


FIG. 2

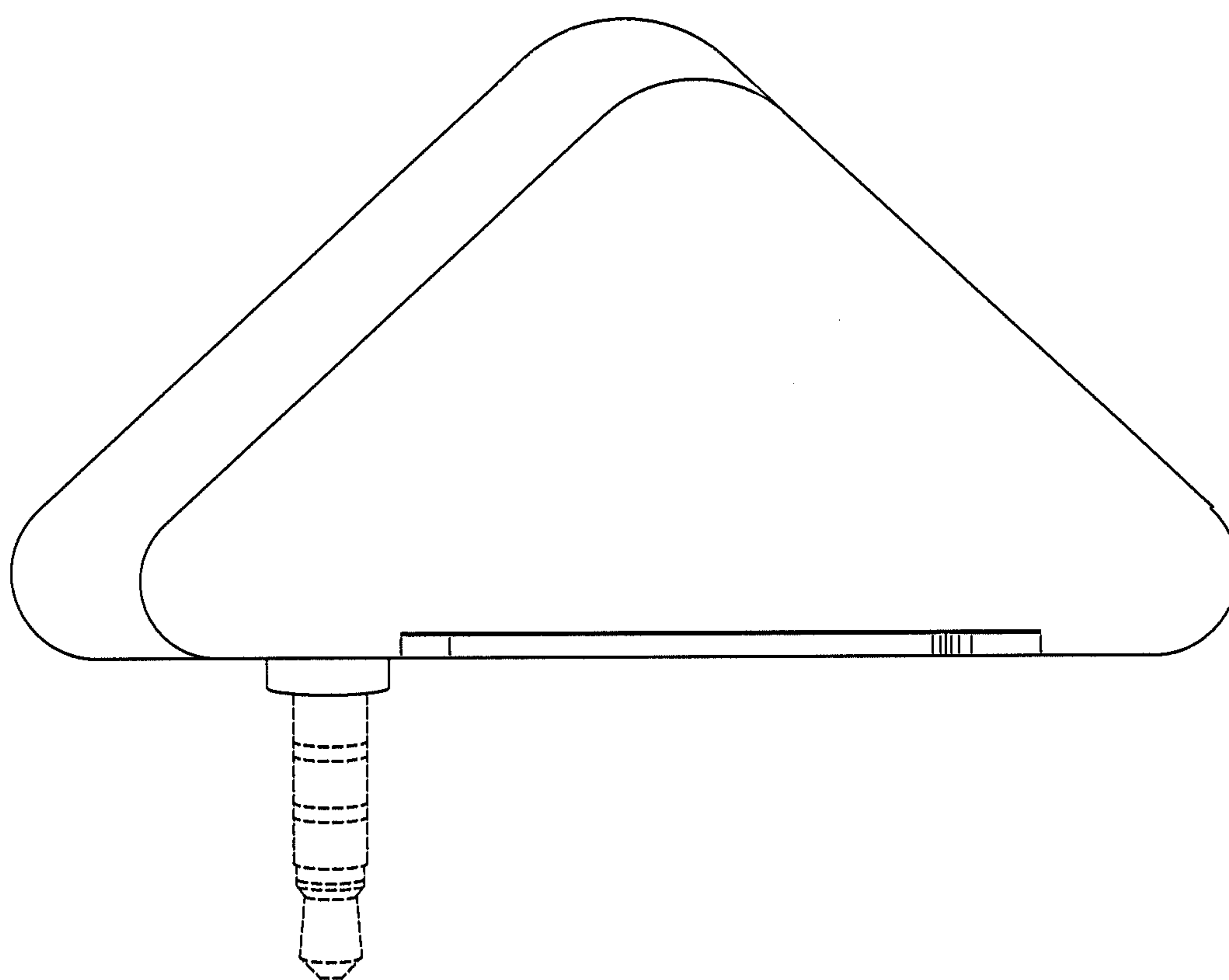


FIG. 3

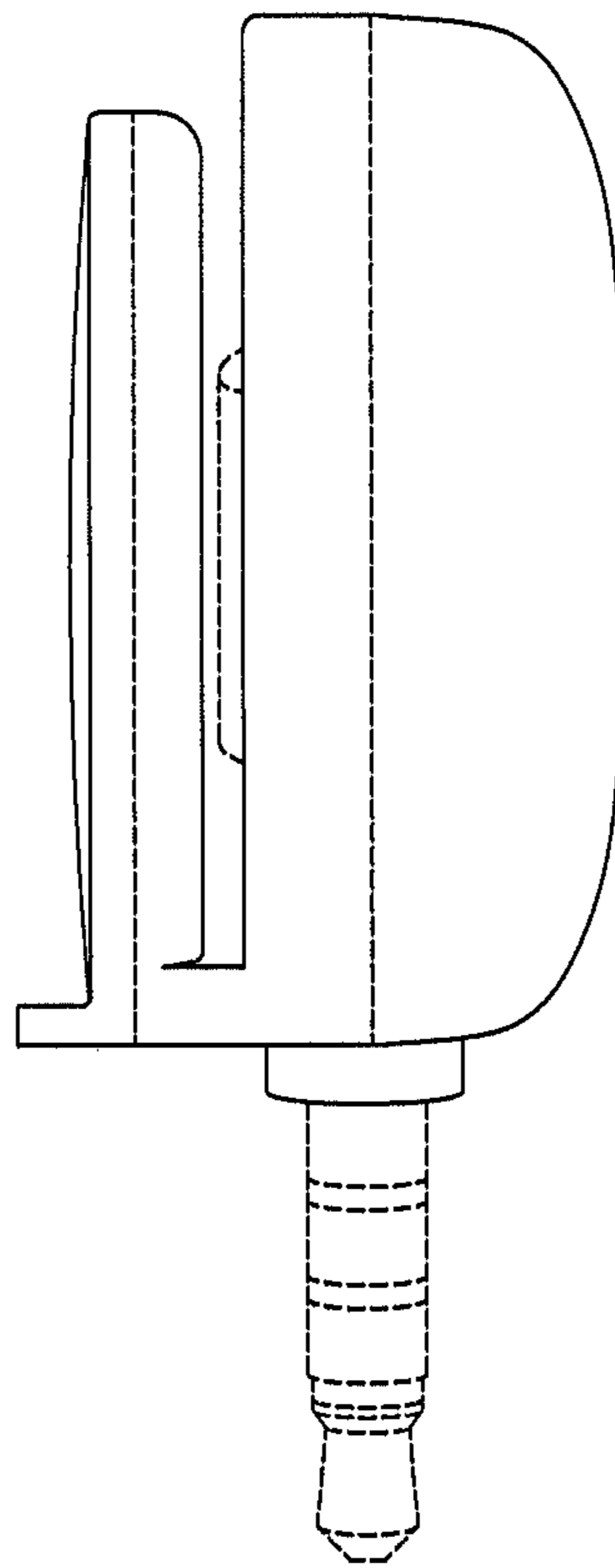


FIG. 4

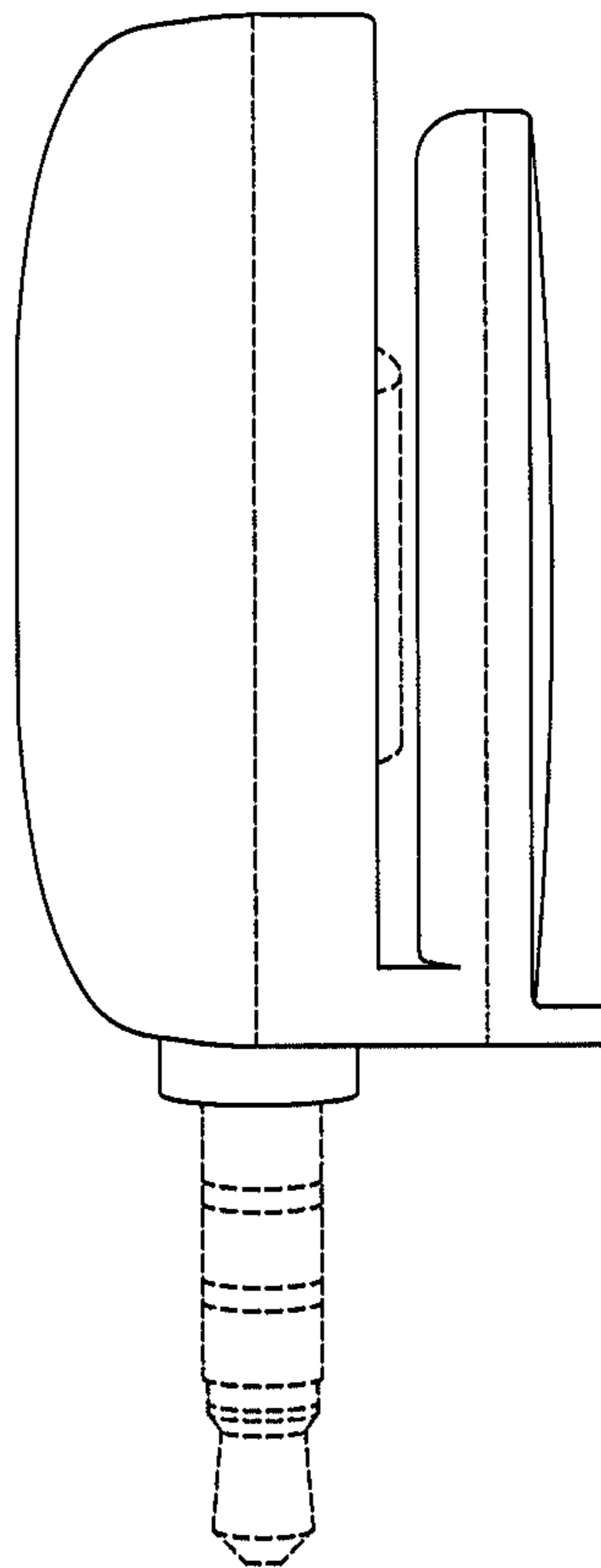


FIG. 5

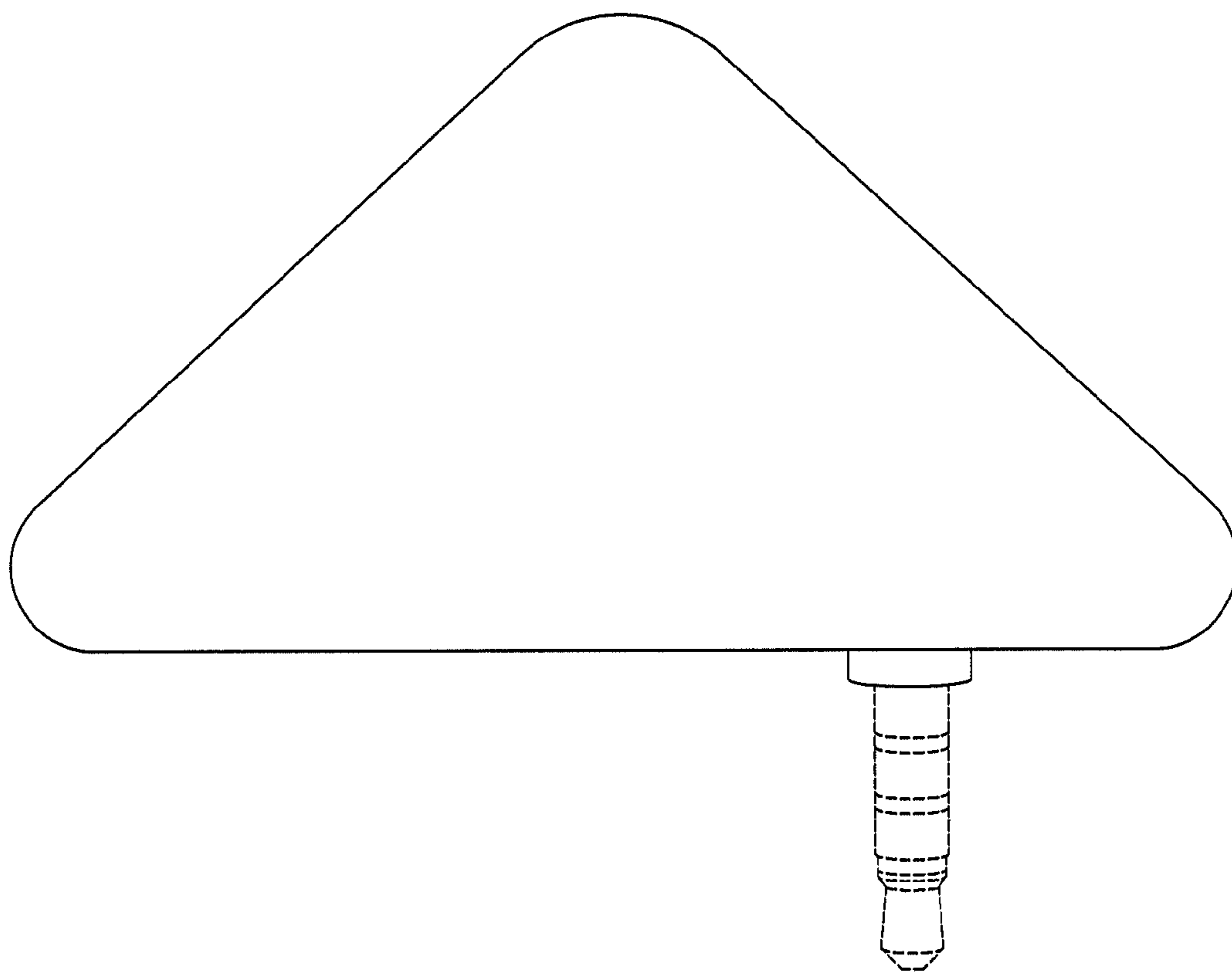


FIG. 6

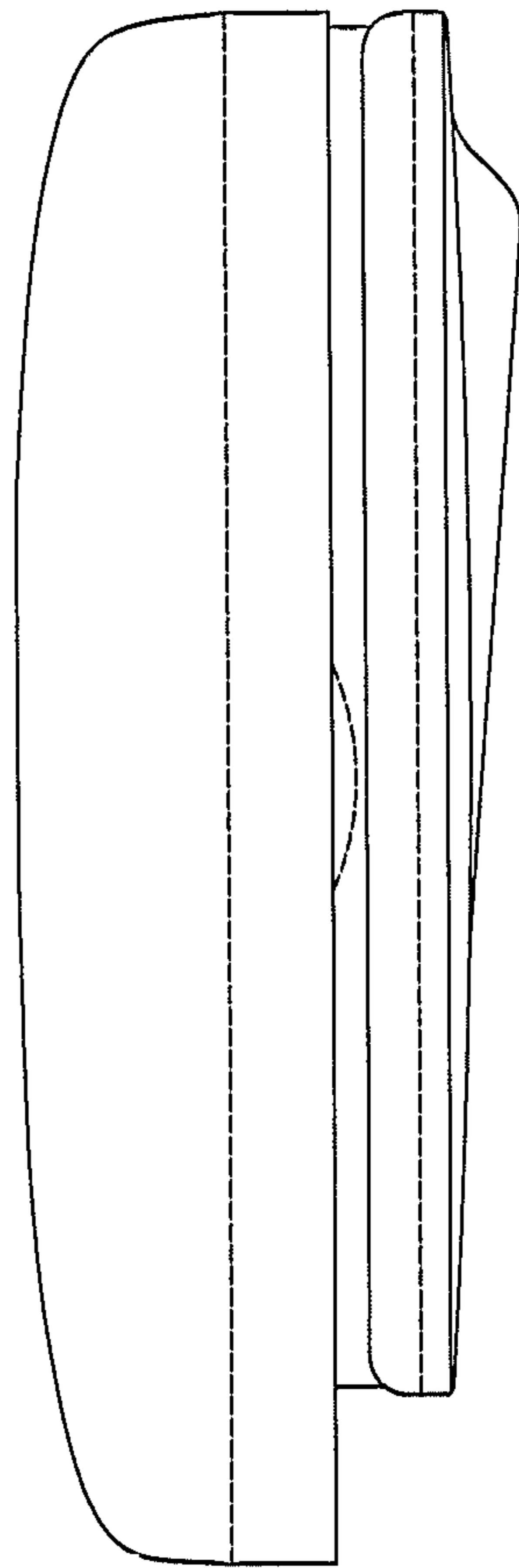


FIG. 7

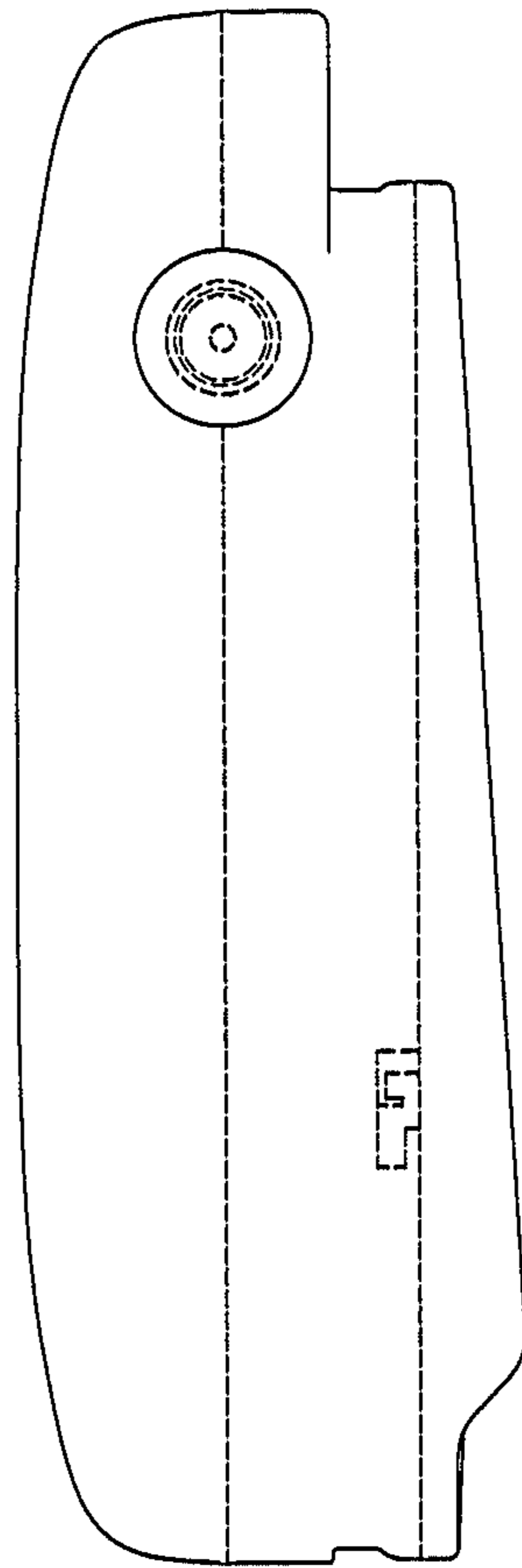


FIG. 8