



US00D740286S

(12) **United States Design Patent**
Templeton

(10) **Patent No.:** **US D740,286 S**

(45) **Date of Patent:** **** Oct. 6, 2015**

(54) **WIRELESS CARD READER**

(71) Applicant: **Square, Inc.**, San Francisco, CA (US)

(72) Inventor: **Thomas Templeton**, San Francisco, CA (US)

(73) Assignee: **Square, Inc.**, San Francisco, CA (US)

(**) Term: **14 Years**

(21) Appl. No.: **29/447,767**

(22) Filed: **Mar. 6, 2013**

(51) **LOC (10) Cl.** **14-02**

(52) **U.S. Cl.**
USPC **D14/385**

(58) **Field of Classification Search**
USPC D14/356–358, 383–385, 420, 426, 427,
D14/432–439, 447, 453, 454, 217, 253,
D14/299; D13/107, 108, 133, 146, 147,
D13/152, 154, 156, 158, 162, 162.1, 168,
D13/173, 177, 102; 235/441, 451, 492, 380,
235/439, 375; 361/679.31, 600, 679.01,
361/679.02

CPC ... G06Q 20/347; G06Q 20/322; G06Q 40/02;
G06Q 30/06; G07F 7/0886

See application file for complete search history.

(56) **References Cited**

U.S. PATENT DOCUMENTS

D491,953 S *	6/2004	Arakaki et al.	D14/453
D500,039 S *	12/2004	Chen	D14/385
D537,445 S *	2/2007	Bousfield	D14/383
D598,013 S *	8/2009	Ju et al.	D14/240
D624,912 S *	10/2010	Chen et al.	D14/356
D624,915 S *	10/2010	Ferreira Sanchez	D14/385
D641,740 S *	7/2011	Jeon et al.	D14/240
D650,377 S *	12/2011	Akana et al.	D14/314
D653,664 S *	2/2012	Turnbull et al.	D14/385

D654,885 S *	2/2012	Isaias	D14/125
D656,097 S *	3/2012	Nomi et al.	D13/108
D657,784 S *	4/2012	Akana et al.	D14/314
D660,834 S *	5/2012	Akana et al.	D14/314
D675,173 S *	1/2013	Paradise et al.	D14/125

(Continued)

OTHER PUBLICATIONS

Jorgensen, Andrew. *Square*. Jorgensen Family. Published Nov. 19, 2010. Retrieved Jun. 6, 2014. Retrieved from the Internet: URL<<http://andrew.jorgensenfamily.us/2010/11/square/>>. 3 pages.

(Continued)

Primary Examiner — Austin Murphy

(74) *Attorney, Agent, or Firm* — Novak Druce Connolly Bove + Quigg LLP

(57) **CLAIM**

The ornamental design for a wireless card reader, substantially as shown and described.

DESCRIPTION

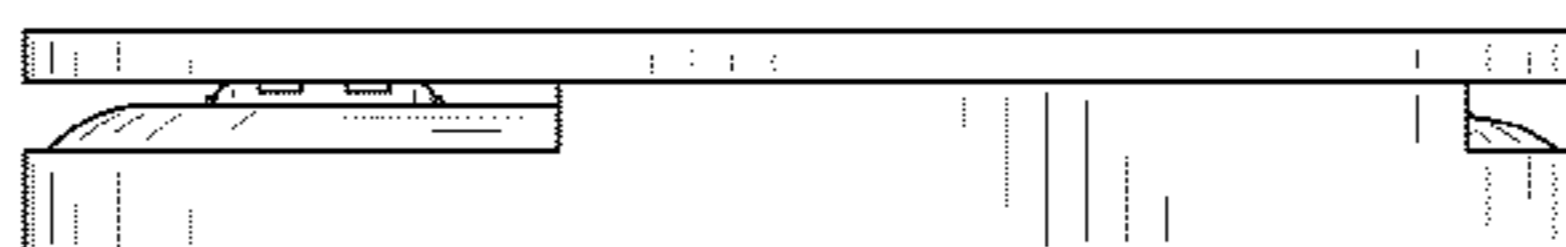
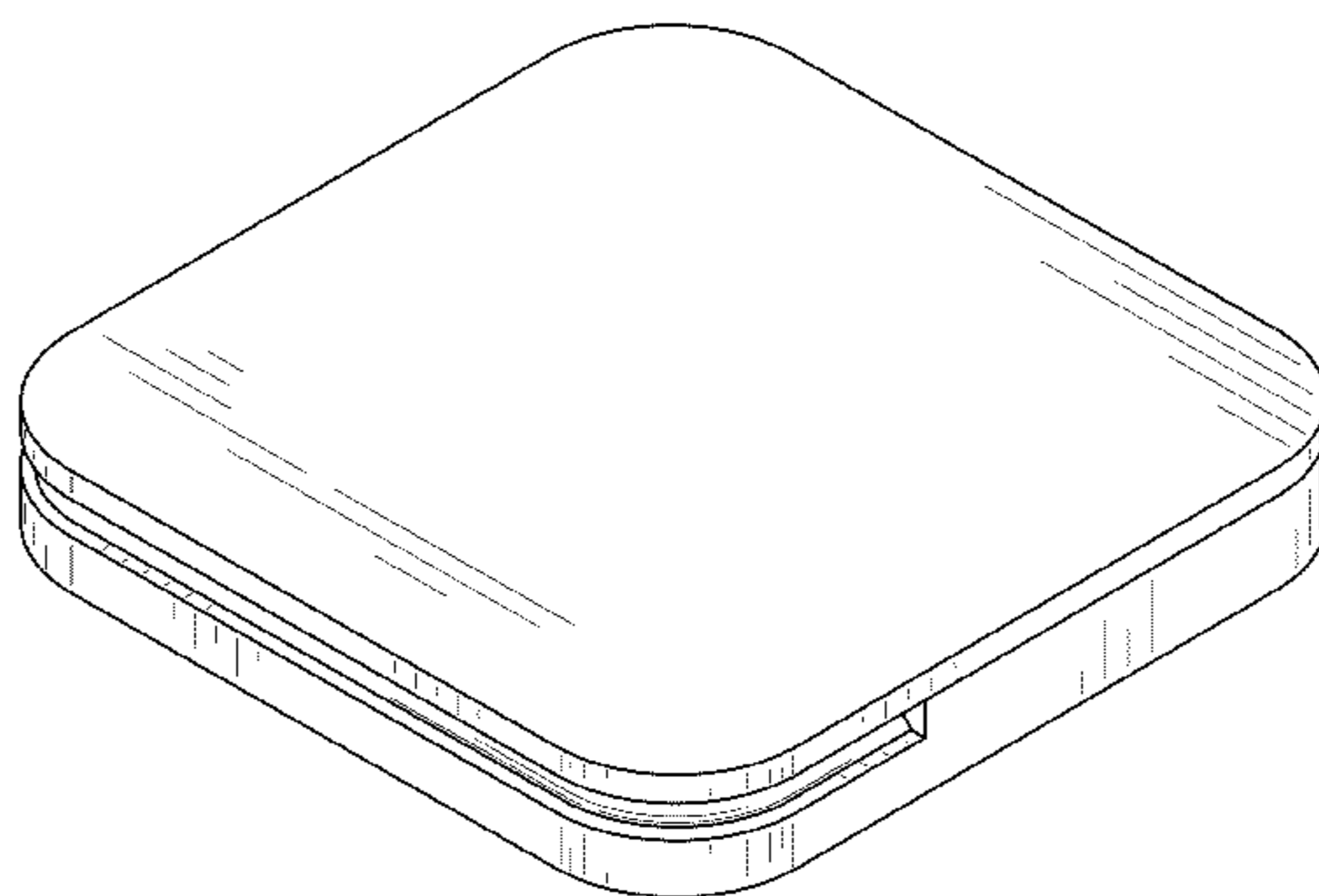
FIG. 1 is a perspective view of a first embodiment of a wireless card reader showing our new design; FIG. 2 is a front elevational view thereof; FIG. 3 is a rear elevational view thereof; FIG. 4 is a left side elevational view thereof; FIG. 5 is a right side elevational view thereof; FIG. 6 is a top plan view thereof; and FIG. 7 is a bottom plan view thereof.

FIG. 8 is a perspective view of a second embodiment of the wireless card reader; and,

FIG. 9 is a top plan view thereof.

The front, rear, right side, left side elevational views and the bottom plan view of the second embodiment of the wireless card reader are the same as those of the first embodiment and, therefore, are not shown.

1 Claim, 5 Drawing Sheets



(56)

References Cited

U.S. PATENT DOCUMENTS

D686,198 S * 7/2013 Lewis et al. D14/240
D688,241 S * 8/2013 Miller et al. D14/385
D696,255 S * 12/2013 Bousfield et al. D14/385
D700,606 S * 3/2014 Lo D14/385
D702,239 S * 4/2014 Lee et al. D14/432
D704,176 S * 5/2014 Kwak et al. D14/240
D705,201 S * 5/2014 Isaacs et al. D14/240
D706,266 S * 6/2014 Rotsaert D14/385

D709,069 S * 7/2014 Cruz et al. D14/385
D719,561 S * 12/2014 Akana et al. D14/314

OTHER PUBLICATIONS

Thomas, Taylor. *iPhone Credit Card Readers*. Top Ten Reviews. Published Feb. 11, 2011. Retrieved Jun. 6, 2014. Retrieved from the Internet: URL<<http://credit-card-processing-review.toptenreviews.com/mobile-credit-card-processing/iphone-credit-card-readers-pg9.html>>. 3 pages.

* cited by examiner

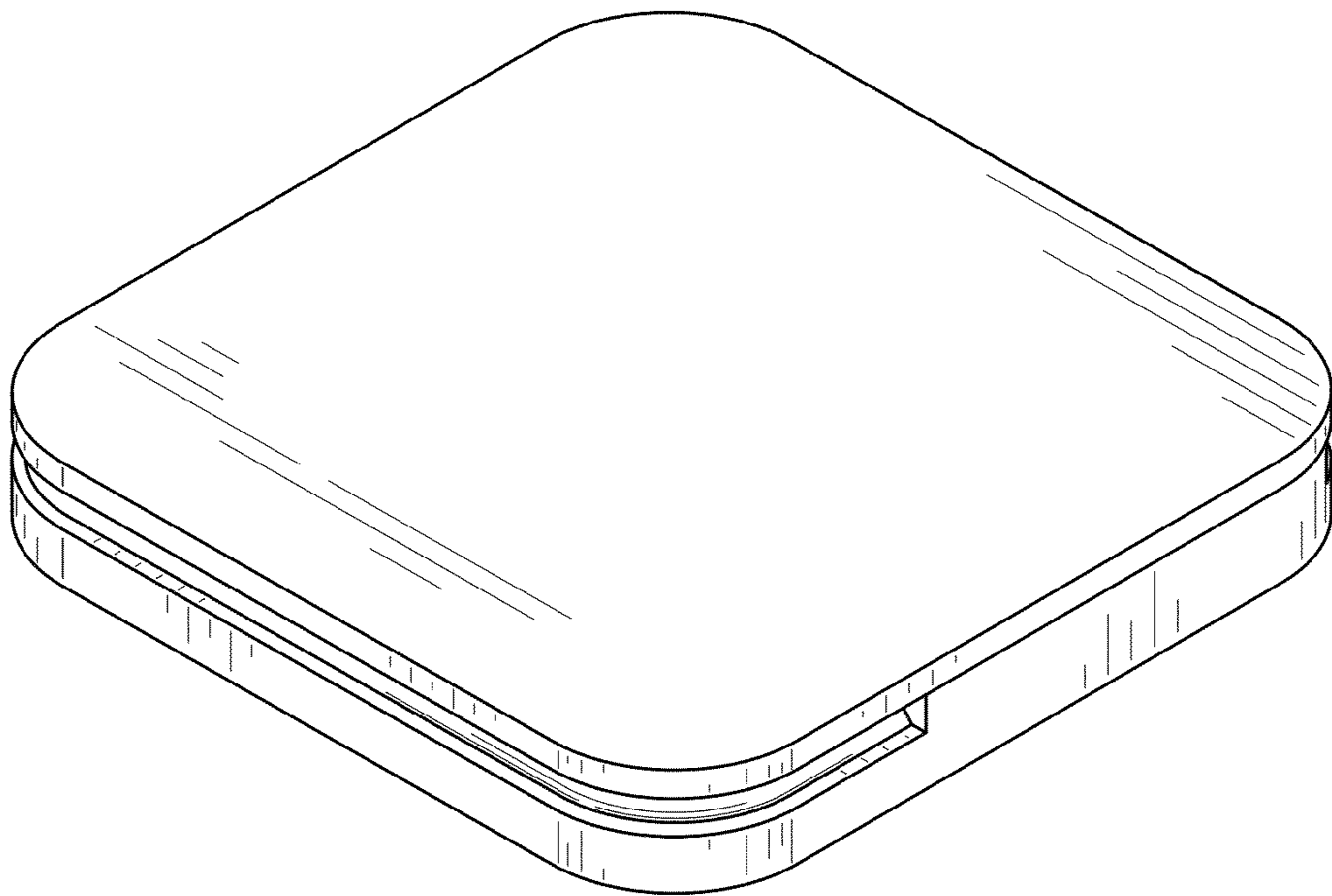


FIG. 1

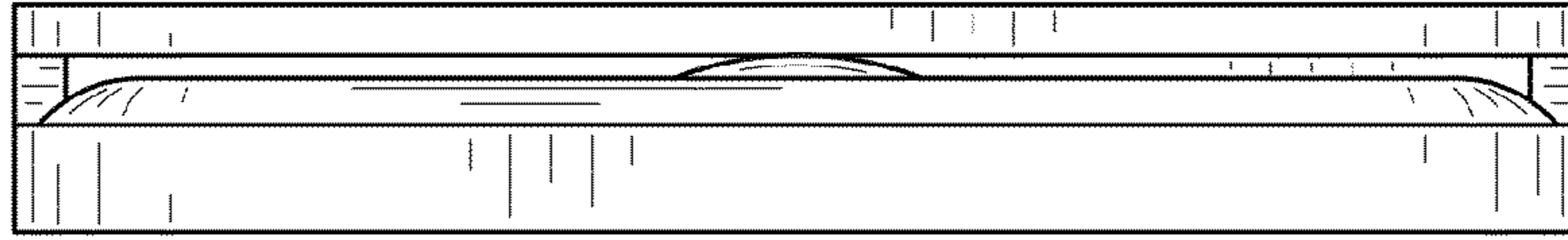


FIG. 2

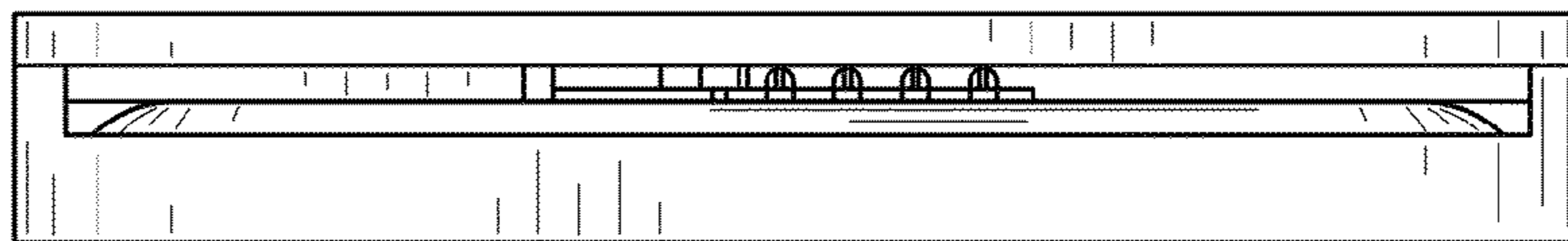


FIG. 3

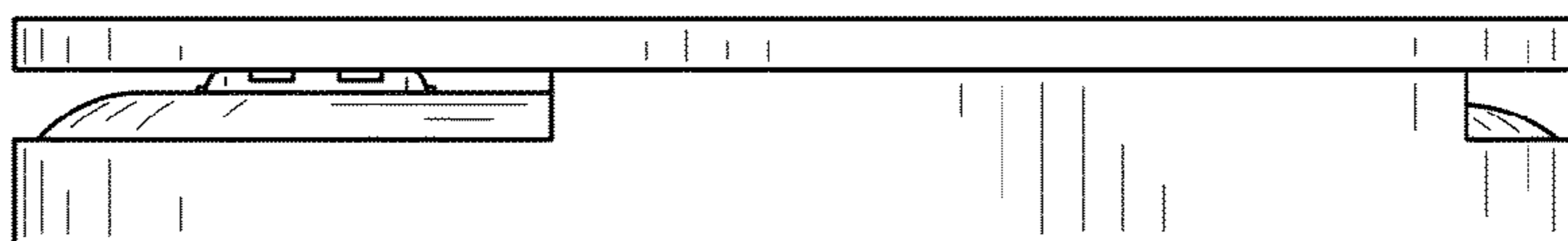


FIG. 4

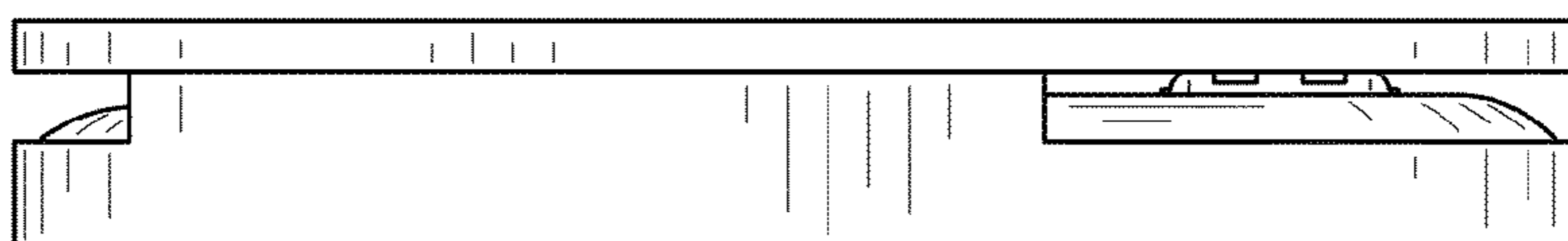


FIG. 5

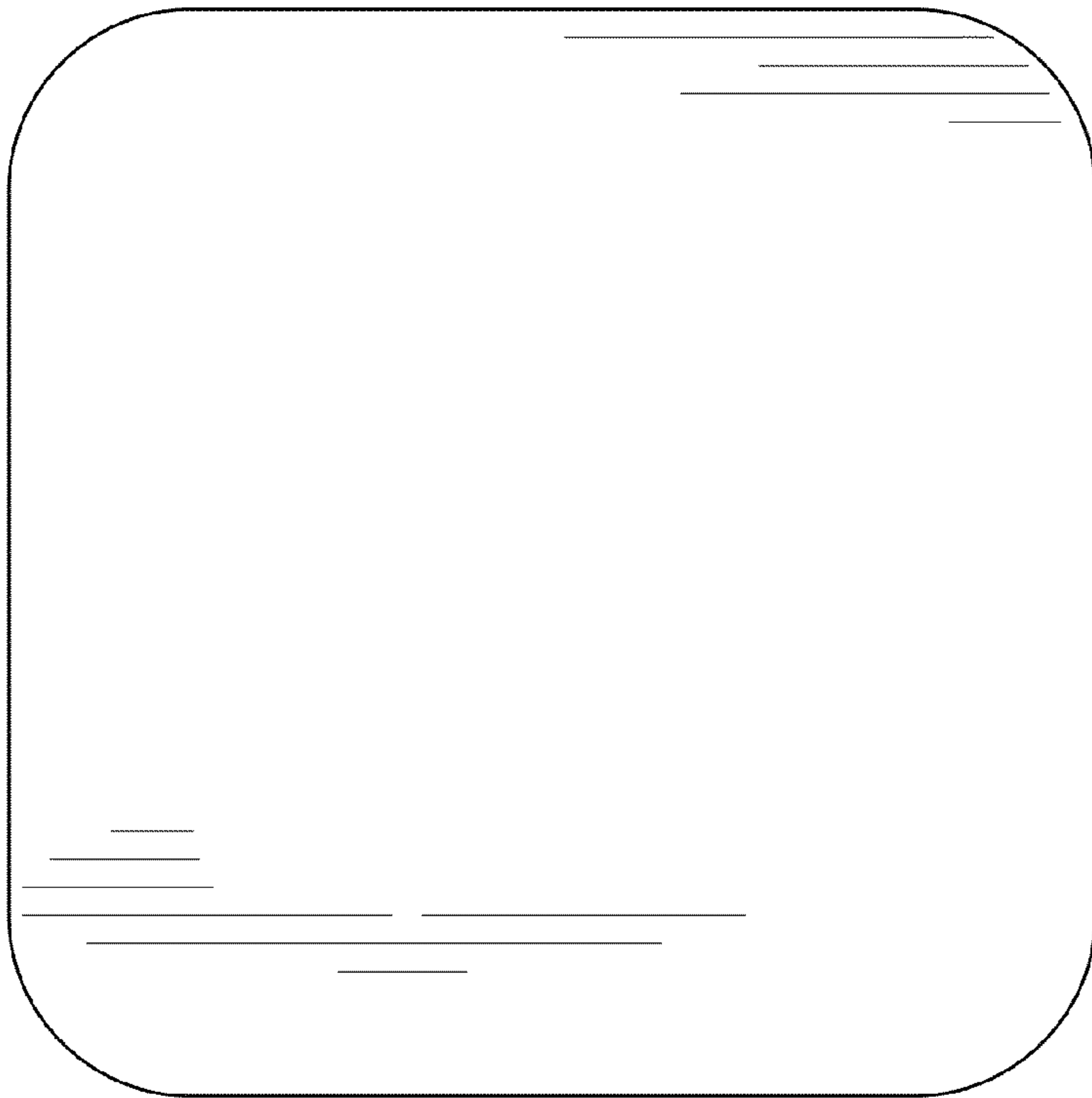


FIG. 6

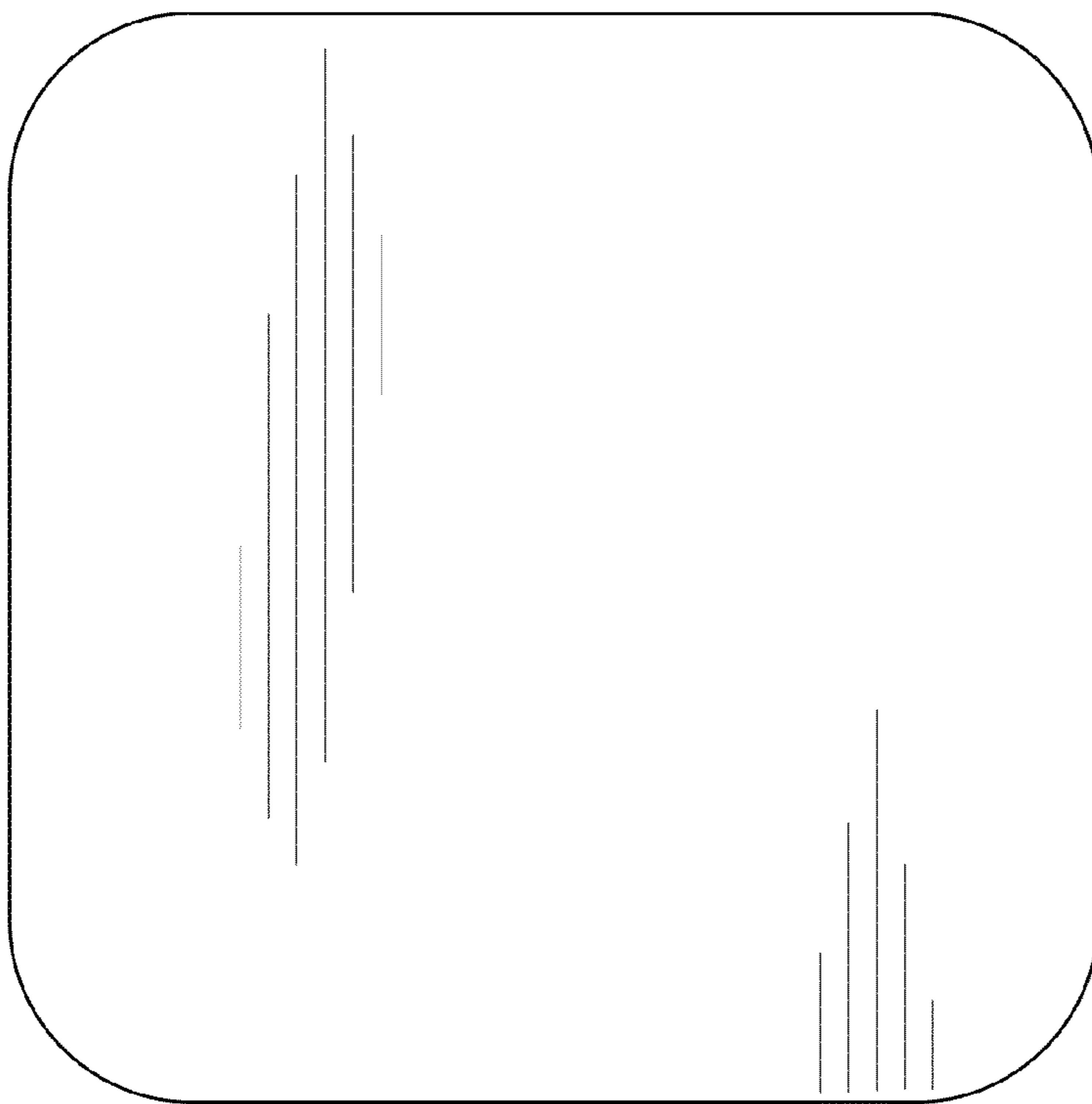


FIG. 7

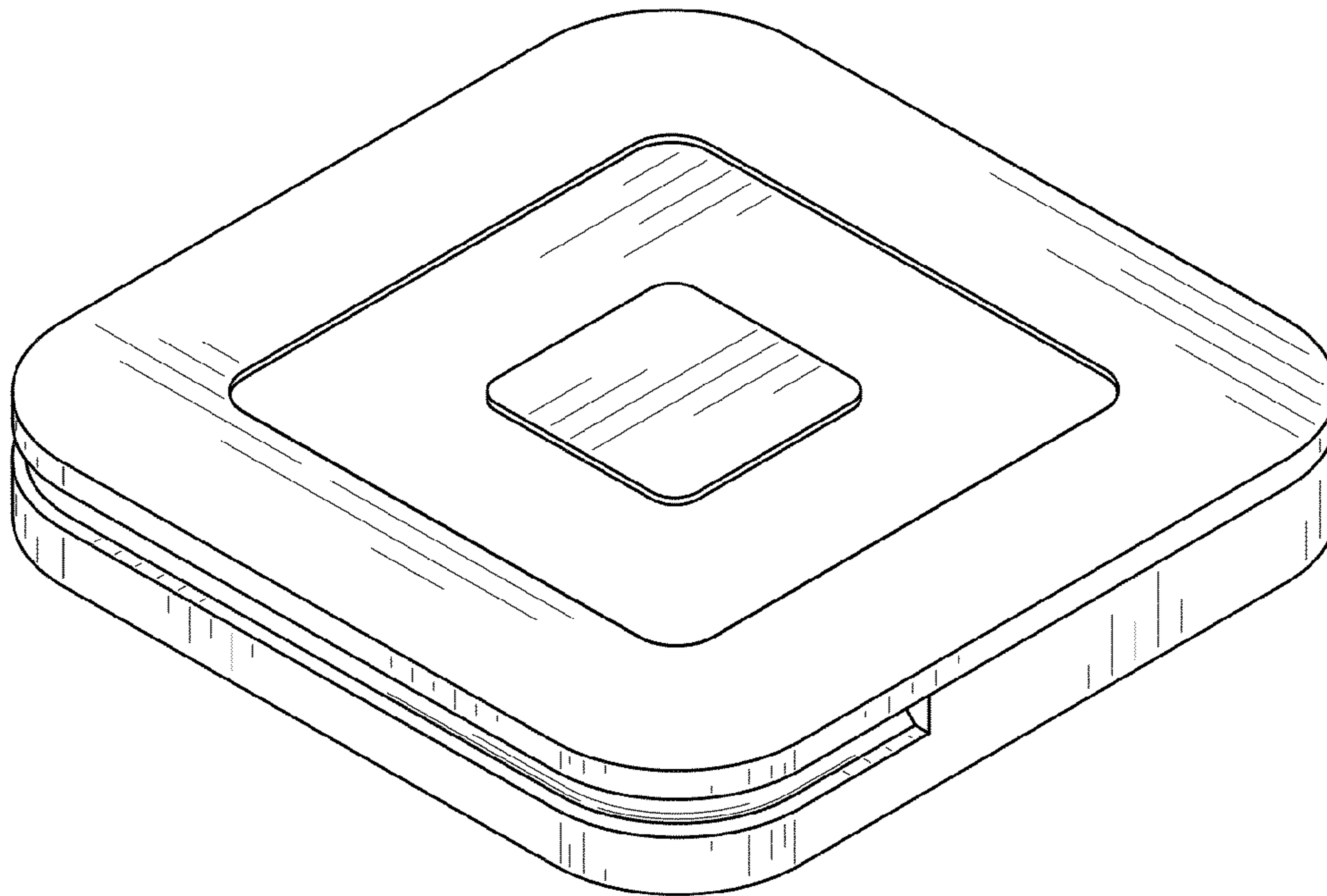


FIG. 8

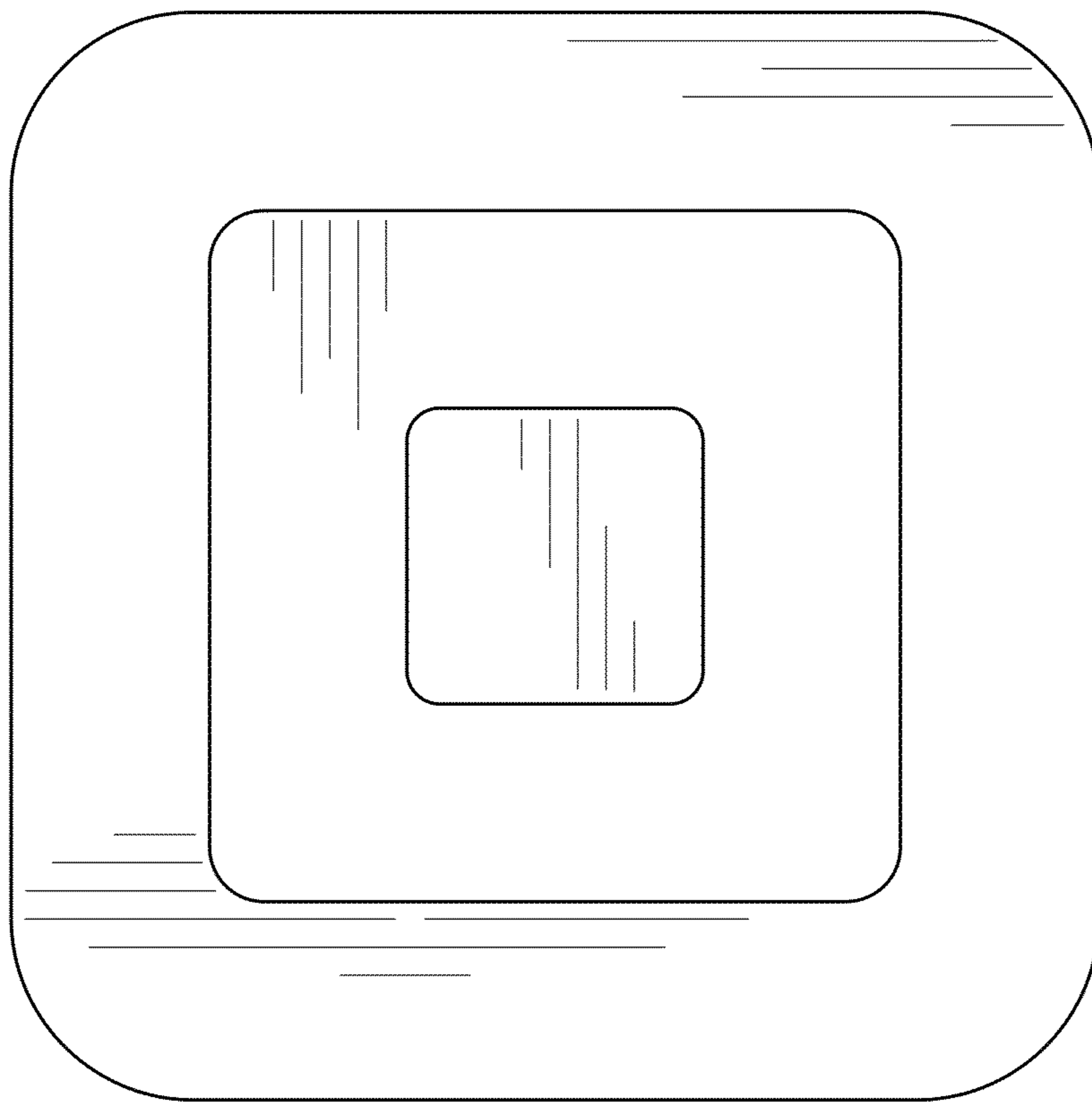


FIG. 9