



US00D740280S

(12) **United States Design Patent**
Fujioka

(10) **Patent No.:** **US D740,280 S**

(45) **Date of Patent:** **** Oct. 6, 2015**

(54) **ELECTRONIC DEVICE**

(71) Applicant: **Robb Fujioka**, Manhattan Beach, CA
(US)

(72) Inventor: **Robb Fujioka**, Manhattan Beach, CA
(US)

(73) Assignee: **Fuhu, Inc.**, El Segundo, CA (US)

(**) Term: **14 Years**

(21) Appl. No.: **29/446,123**

(22) Filed: **Feb. 20, 2013**

(51) **LOC (10) Cl.** **14-02**

(52) **U.S. Cl.**
USPC **D14/341**

(58) **Field of Classification Search**
USPC D14/341-347, 137, 138 R, 138 AA,
D14/138 C, 138 G, 496, 203.1, 203.3, 203.4,
D14/203.7, 129, 130, 147, 218, 248, 389,
D14/388, 426, 420; D10/65, 104.1;
D18/6-7; D21/324, 329, 330;
455/556.1, 556.2, 566, 575.1, 90.3;
379/433.04, 433.01, 433.06, 916;
345/173, 901, 905; 361/679.26, 679.3,
361/679.55, 679.56
CPC ... H04M 1/00; H04M 11/066; H04M 1/2478;
H04M 1/72519; H04M 2201/38; H04M
2250/22; G06F 15/00
See application file for complete search history.

(56) **References Cited**

U.S. PATENT DOCUMENTS

D537,441 S * 2/2007 Bruker D14/341
D601,557 S * 10/2009 Wesolek D14/341

D615,973 S * 5/2010 Sip et al. D14/346
D628,570 S * 12/2010 Li D14/341
D672,767 S * 12/2012 Yoneya et al. D14/341
D676,043 S * 2/2013 Hirose D14/341
D676,046 S * 2/2013 Hatori et al. D14/341
D687,822 S * 8/2013 Growney et al. D14/341
2013/0148270 A1 * 6/2013 Fujioka et al. 361/679.01

* cited by examiner

Primary Examiner — Barbara Fox

(74) *Attorney, Agent, or Firm* — Steptoe & Johnson LLP

(57) **CLAIM**

The ornamental design for an electronic device, as shown and described.

DESCRIPTION

FIG. 1 is a front perspective view of an electronic device showing a new design, according to a first embodiment and a second embodiment;

FIG. 2 is a front view thereof, according to the first embodiment and the second embodiment;

FIG. 3 is a back view thereof, according to the first embodiment;

FIG. 4 is a back view thereof, according to the second embodiment;

FIG. 5 is a left side view thereof, according to the first embodiment and the second embodiment;

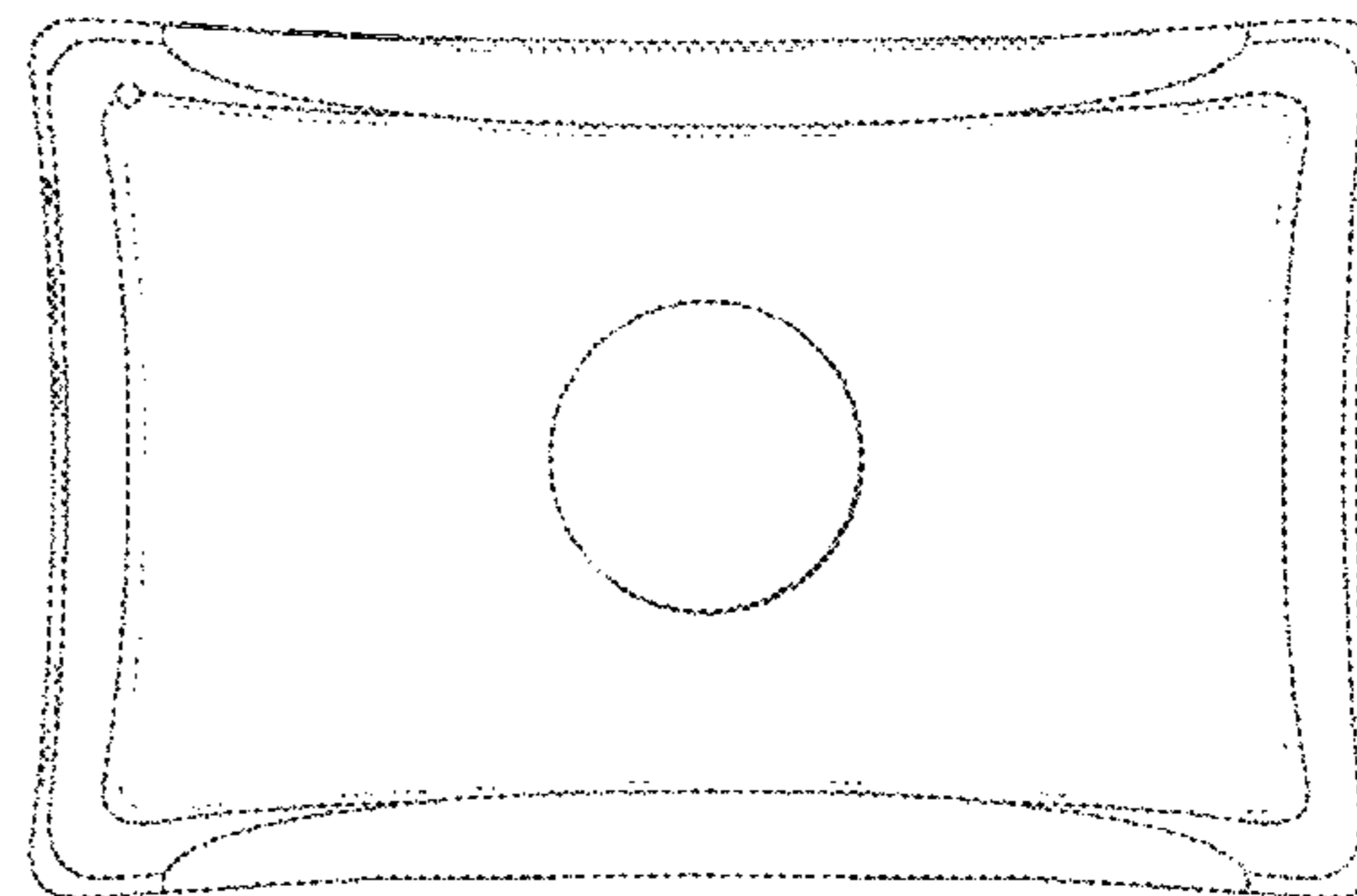
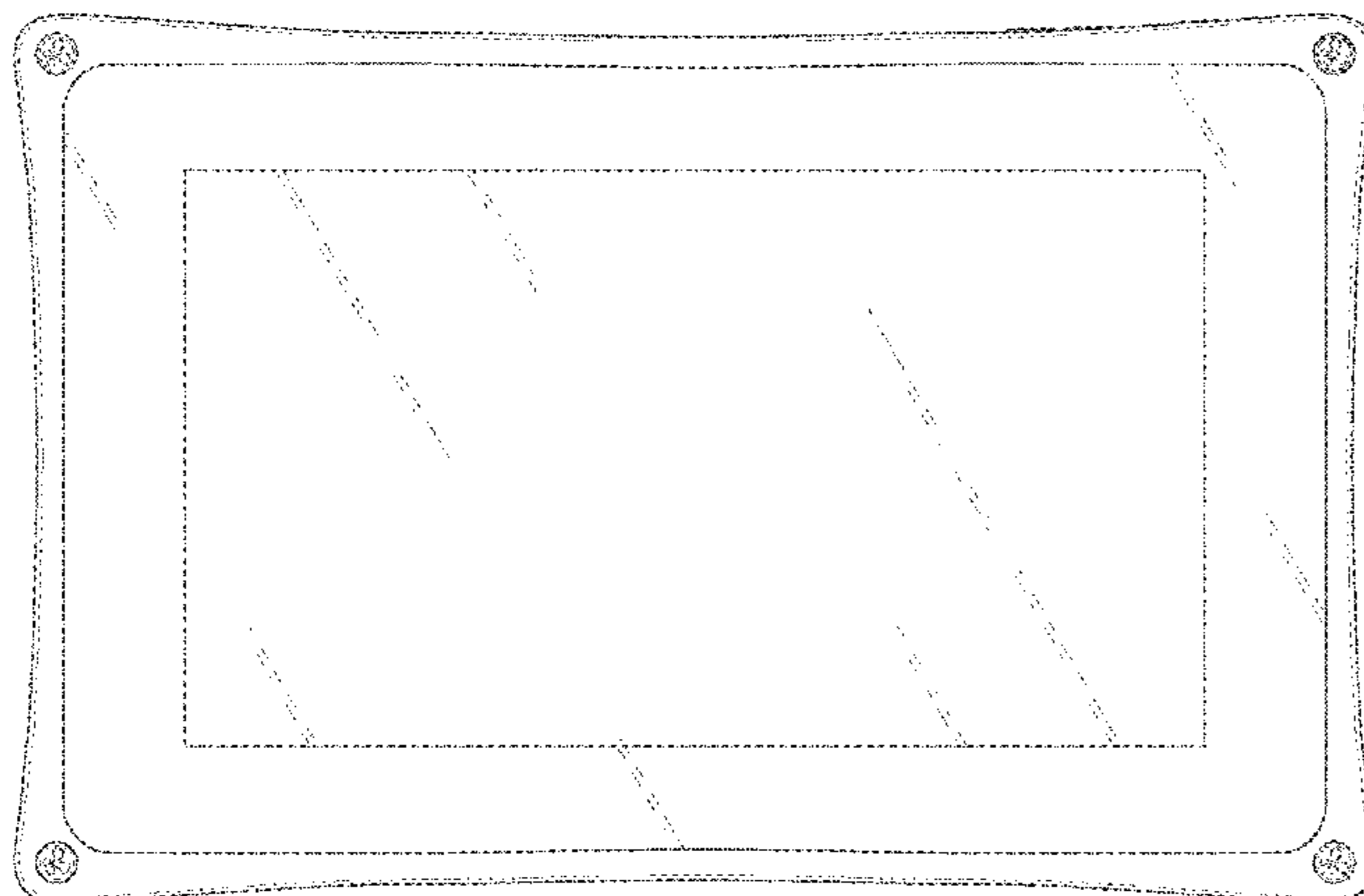
FIG. 6 is a right side view thereof, according to the first embodiment and the second embodiment;

FIG. 7 is a top view thereof, according to the first embodiment and the second embodiment; and,

FIG. 8 is a bottom view thereof, according to the first embodiment and the second embodiment.

The broken lines shown in the drawings represent portions of the electronic device which form no part of the claimed design.

1 Claim, 5 Drawing Sheets



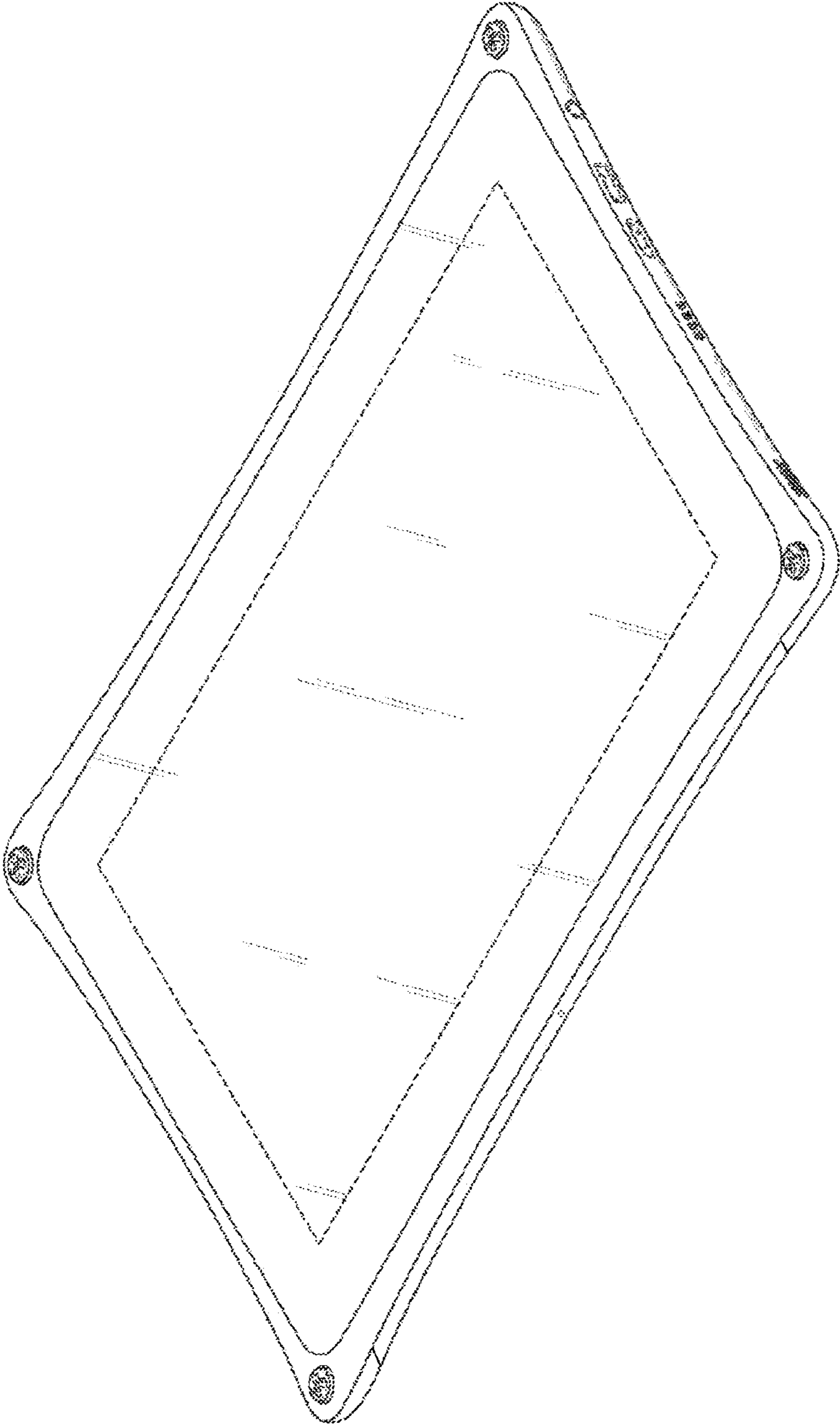


Fig. 1

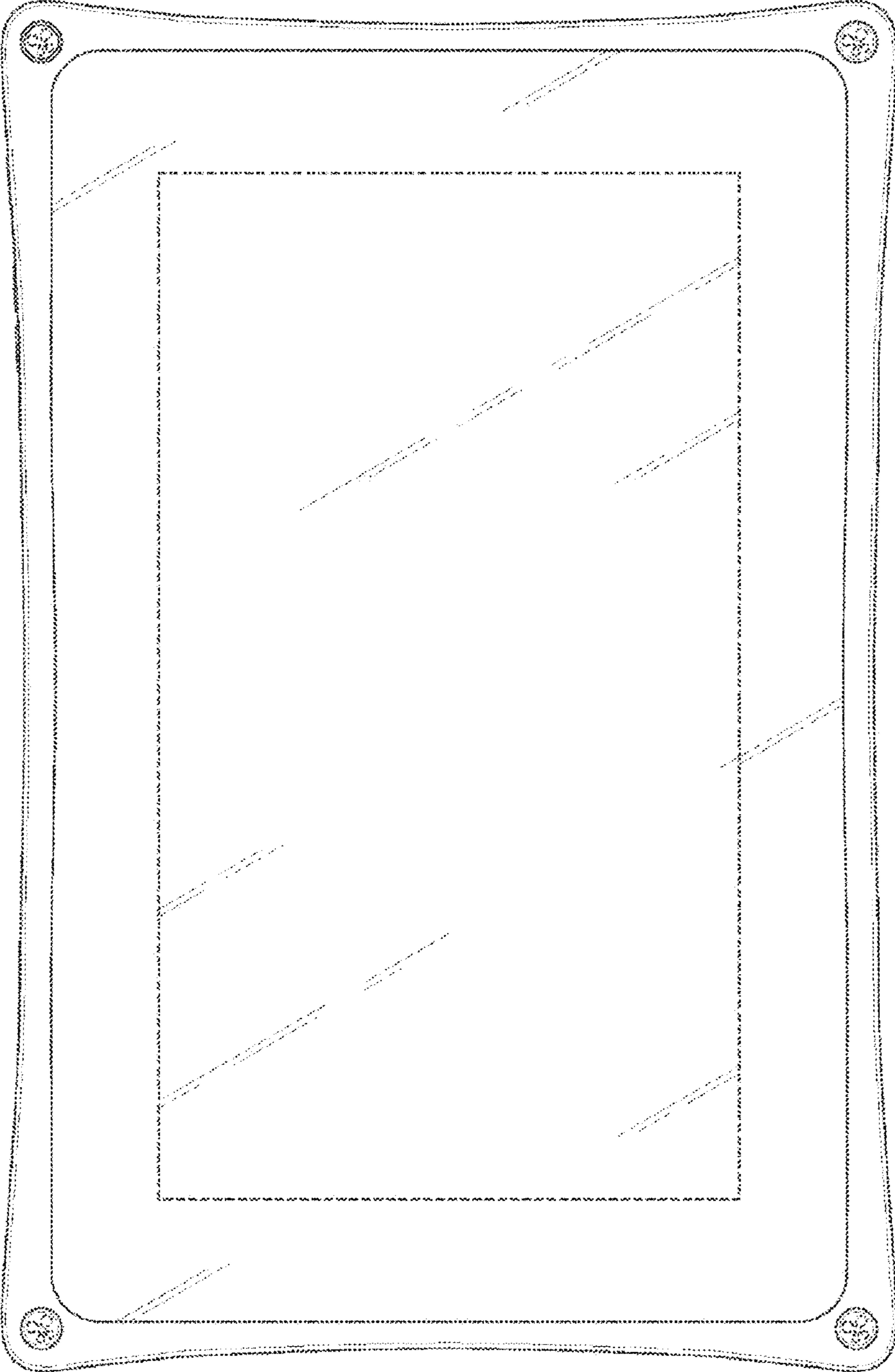


Fig. 2

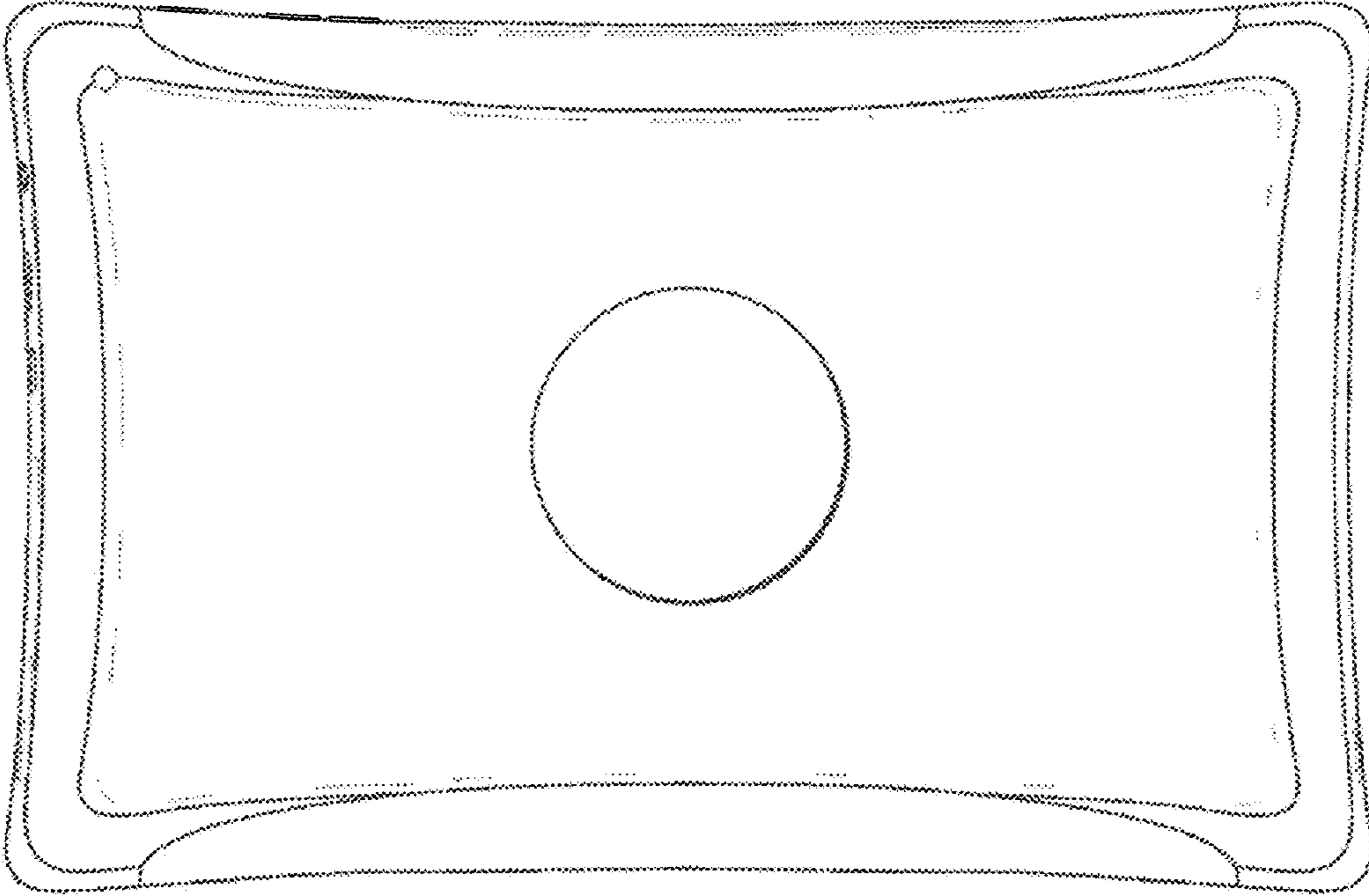


Fig. 3

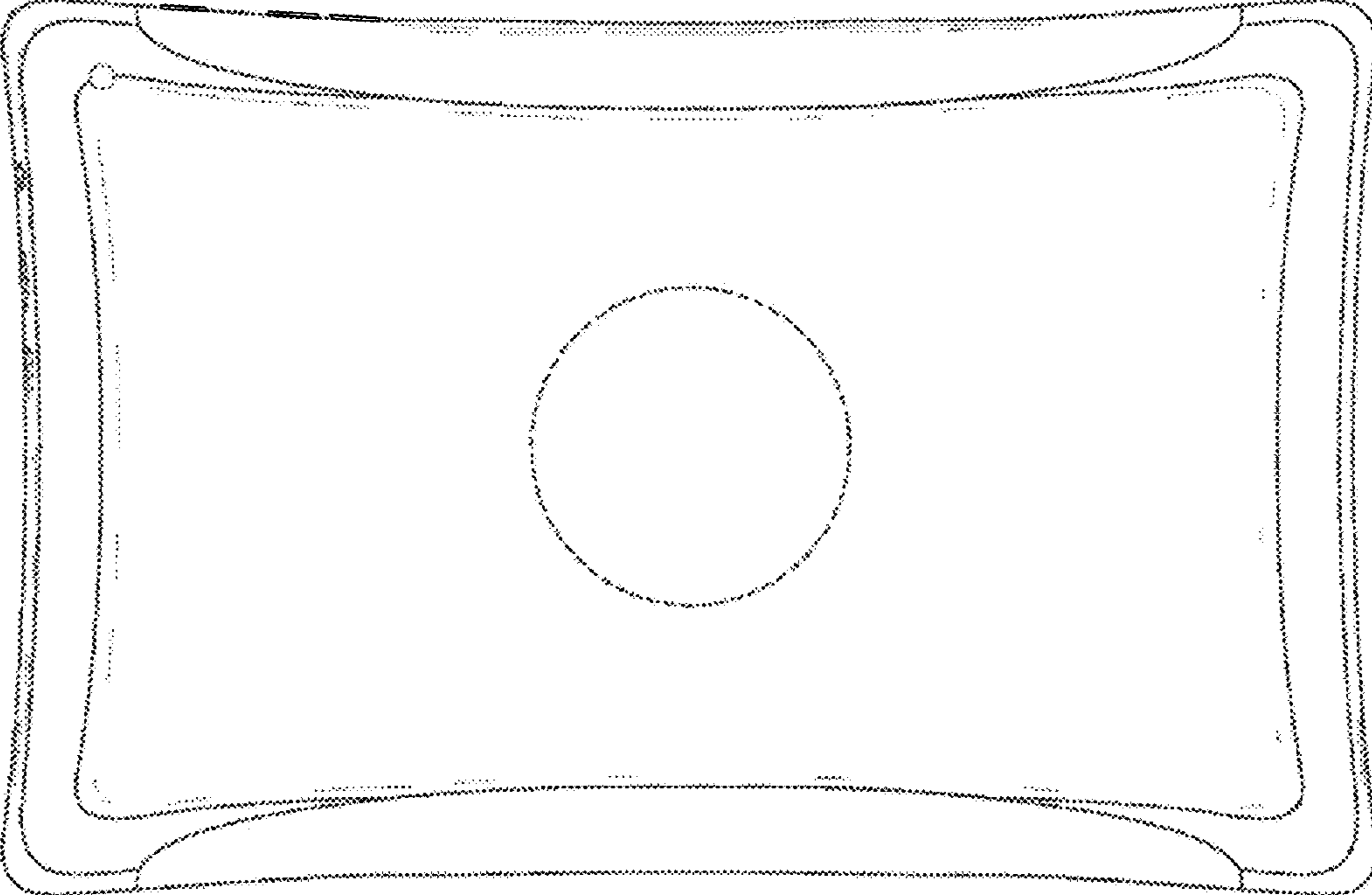


Fig. 4

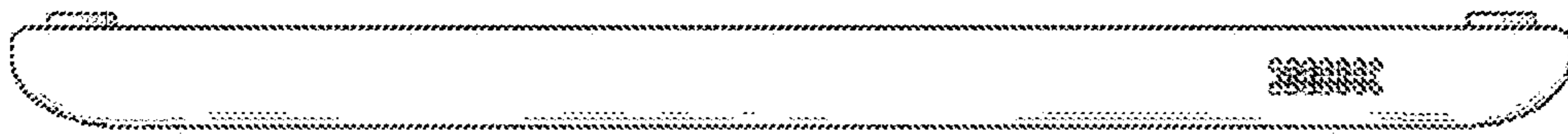


Fig. 5

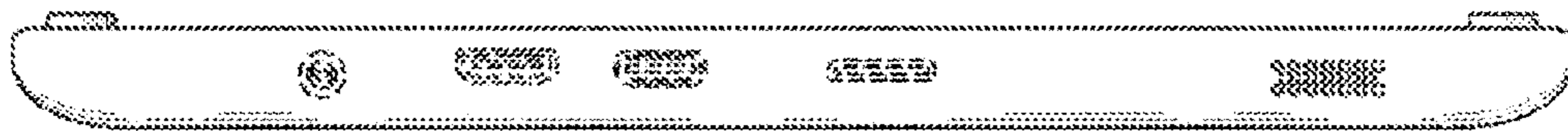


Fig. 6

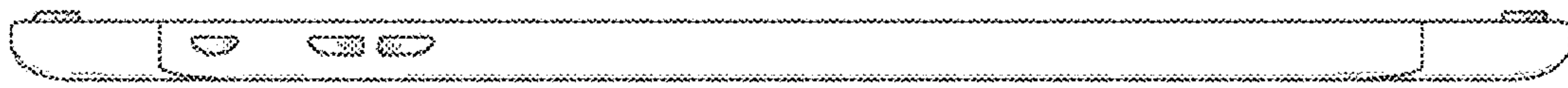


Fig. 7

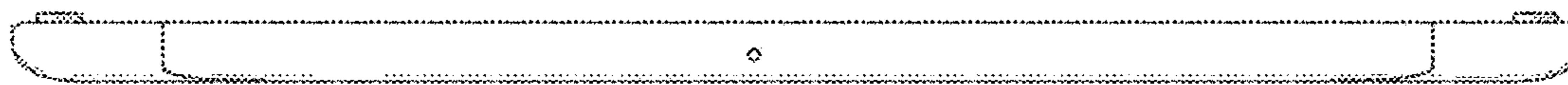


Fig. 8