



US00D740274S

(12) **United States Design Patent**
Lim

(10) **Patent No.:** **US D740,274 S**
(45) **Date of Patent:** **** Oct. 6, 2015**

(54) **WALL MOUNTED PERSONAL COMPUTER CASE**

(71) Applicant: **Jonghoon Lim**, Gyeonggi-do (KR)

(72) Inventor: **Jonghoon Lim**, Gyeonggi-do (KR)

(**) Term: **14 Years**

(21) Appl. No.: **29/498,513**

(22) Filed: **Aug. 5, 2014**

(30) **Foreign Application Priority Data**

Feb. 6, 2014 (KR) 30-2014-0006097

(51) **LOC (10) Cl.** **14-02**

(52) **U.S. Cl.**
USPC **D14/308**; D14/300

(58) **Field of Classification Search**
USPC D14/240, 300, 301, 308, 313, 314,
D14/348-356, 364-368, 439; D13/162,
D13/184, 199; 312/223.1-223.3, 351.11;
360/99.01-99.12; 369/34.01-36.01;
361/679.31-679.33, 679.37, 679.39,
361/679.46, 679.53, 679.4, 679.41, 727
CPC G06F 1/20; G06F 1/181; G06F 1/187;
G06F 7/00; G06F 1/1601; G06F 1/1613;
G06F 1/1632; G06F 1/16; H05K 7/16; H05K
7/1424; H05H 7/20; G11B 33/128
See application file for complete search history.

(56) **References Cited**

U.S. PATENT DOCUMENTS

D456,364 S *	4/2002	Suen	D13/162
D580,435 S *	11/2008	Huang et al.	D14/356
D584,243 S *	1/2009	Rinna	D13/169
D607,842 S *	1/2010	Rinna	D13/162
D678,697 S *	3/2013	Hill	D6/661.3
D693,817 S	11/2013	Lim		

OTHER PUBLICATIONS

Design U.S. Appl. No. 29/498,500, filed Aug. 5, 2014.
Design U.S. Appl. No. 29/498,515, filed Aug. 5, 2014.

Design U.S. Appl. No. 29/498,518, filed Aug. 5, 2014.
Design U.S. Appl. No. 29/498,522, filed Aug. 5, 2014.
Design U.S. Appl. No. 29/498,524, filed Aug. 5, 2014.
Korean Design Patent Application No. 30-2014-0006095, filed Feb. 6, 2014. (English Description Attached).
Korean Design Patent Application No. 30-2014-0006097, filed Feb. 6, 2014. (English Description Attached).
Korean Design Patent Application No. 30-2014-0006166, filed Feb. 7, 2014. (English Description Attached).
Korean Design Patent Application No. 30-2014-0006168, filed Feb. 7, 2014. (English Description Attached).
Korean Design Patent Application No. 30-2014-0006169, filed Feb. 7, 2014. (English Description Attached).
Korean Design Patent Application No. 30-2014-0013839, filed Mar. 19, 2014. (English Description Attached).

* cited by examiner

Primary Examiner — Freda S Nunn
(74) *Attorney, Agent, or Firm* — Amster, Rothstein & Ebenstein, LLP

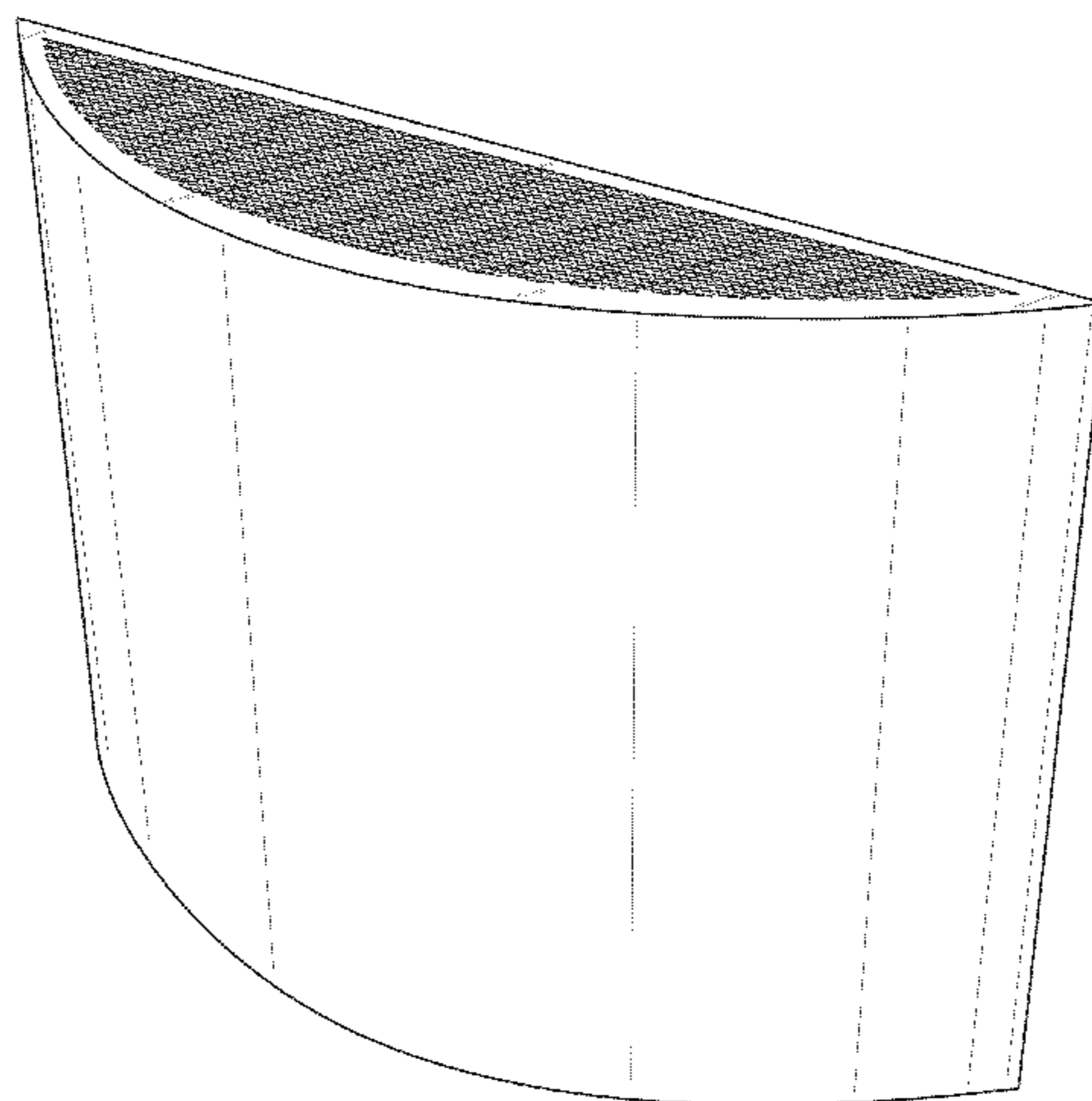
(57) **CLAIM**

The ornamental design for a wall mounted personal computer case, as shown and described.

DESCRIPTION

FIG. 1 is a perspective view of a new wall mounted personal computer case showing my new design;
FIG. 2 is a rear view of the wall mounted personal computer case of FIG. 1;
FIG. 3 is a front view of the wall mounted personal computer case of FIG. 1;
FIG. 4 is a right side view of the wall mounted personal computer case of FIG. 1;
FIG. 5 is a left side view of the wall mounted personal computer case of FIG. 1;
FIG. 6 is a top plan view of the wall mounted personal computer case of FIG. 1; and,
FIG. 7 is a bottom plan view of the wall mounted personal computer case of FIG. 1.

1 Claim, 7 Drawing Sheets



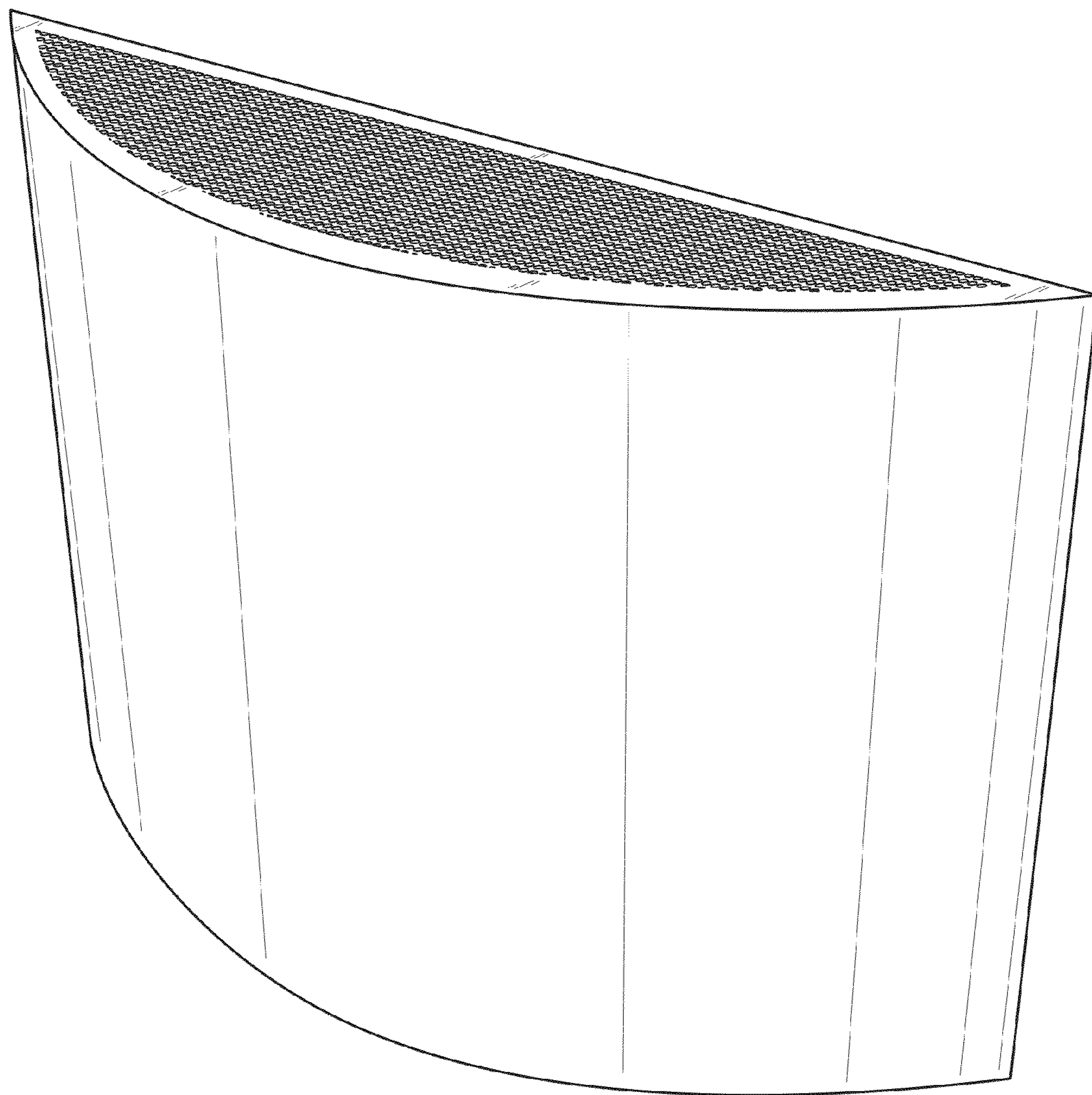


FIG. 1

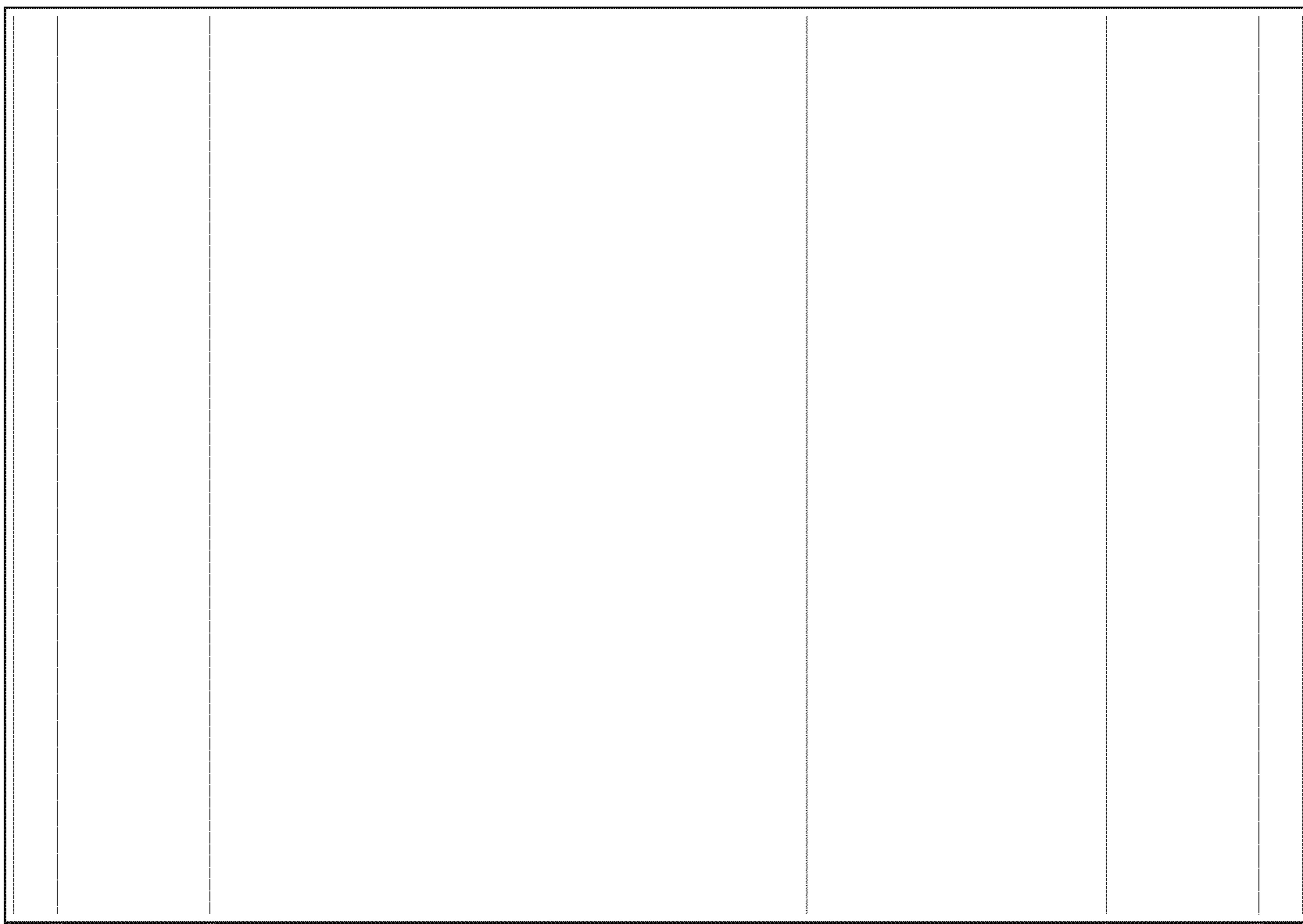


FIG. 2

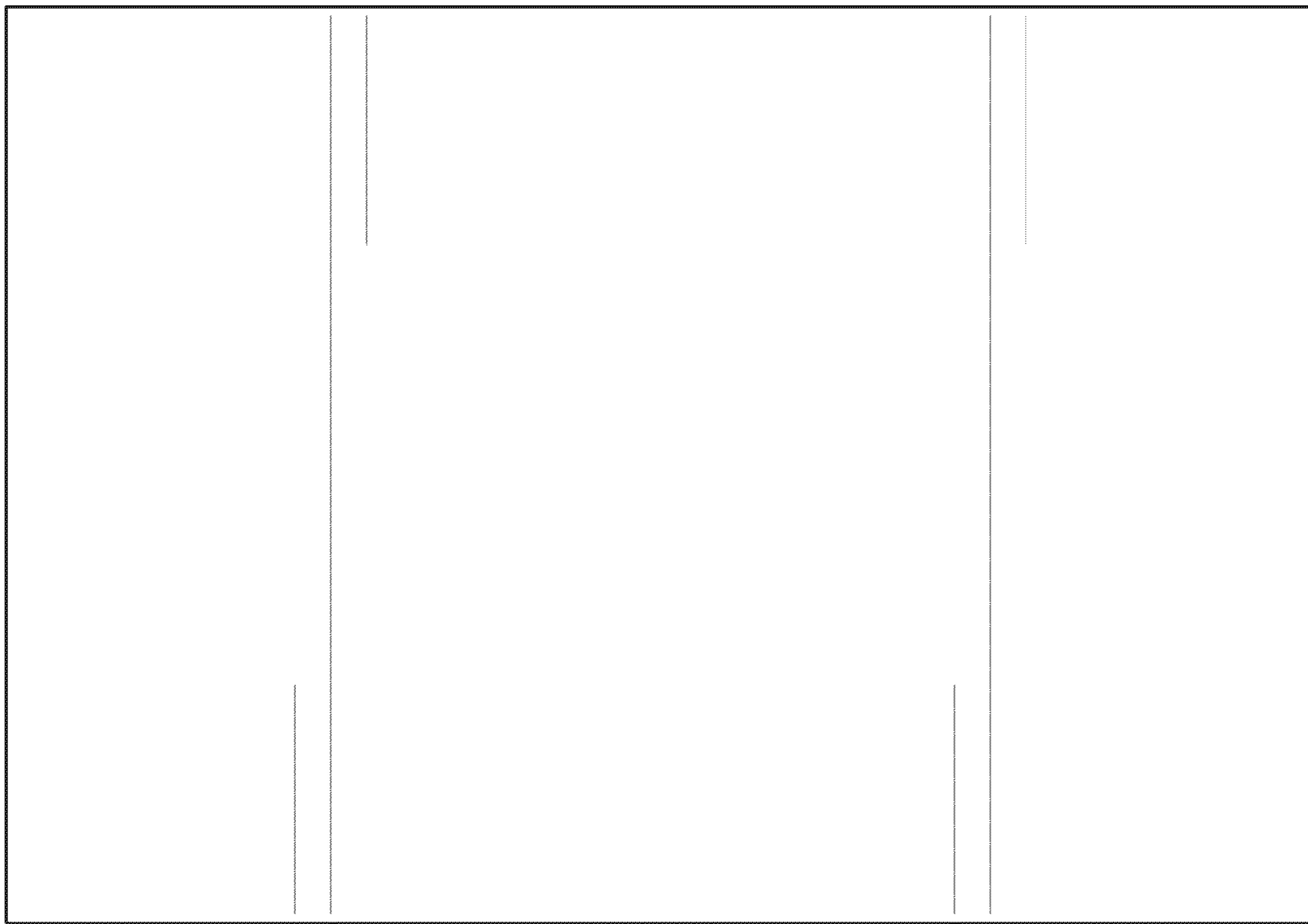


FIG. 3

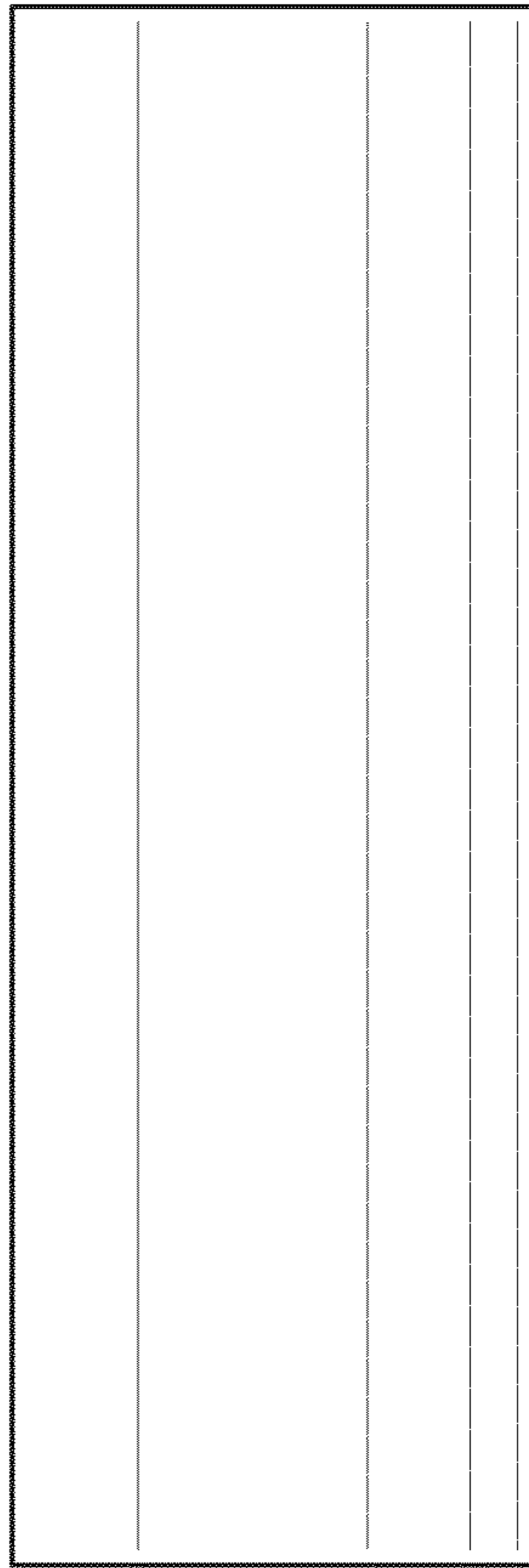


FIG. 4

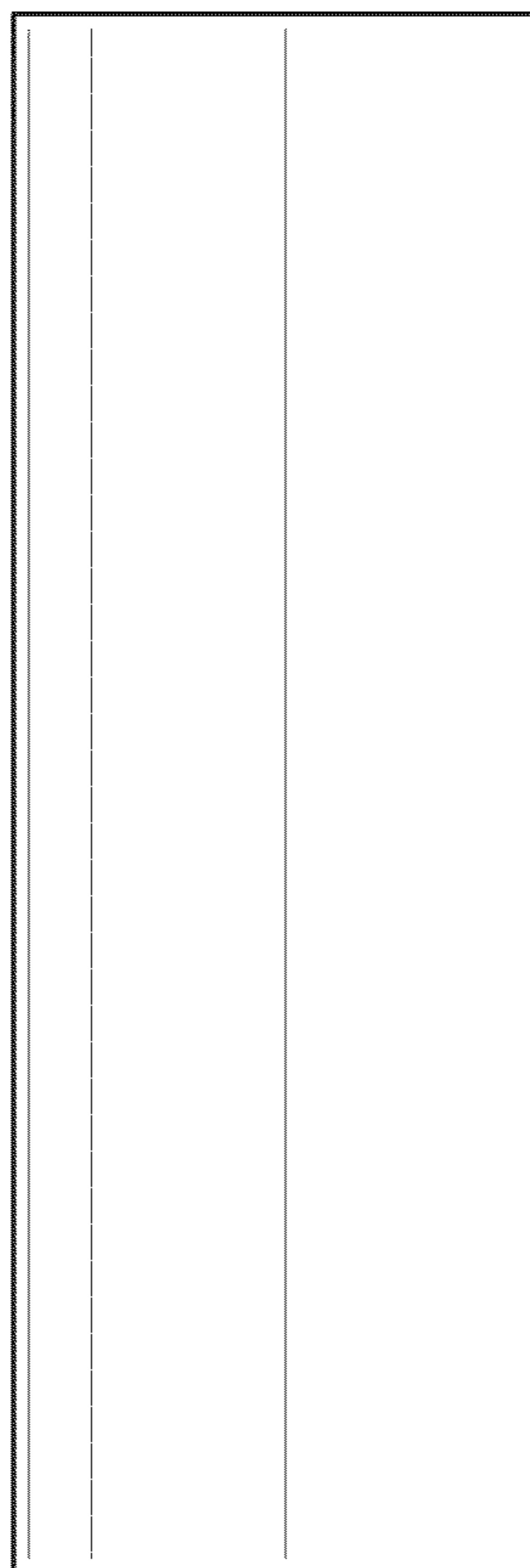


FIG. 5

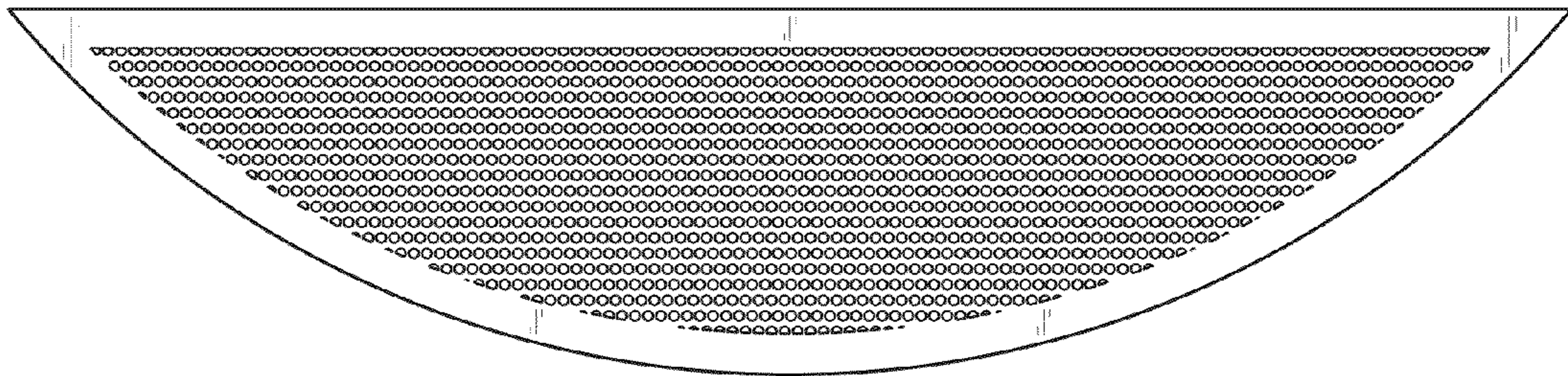


FIG. 6

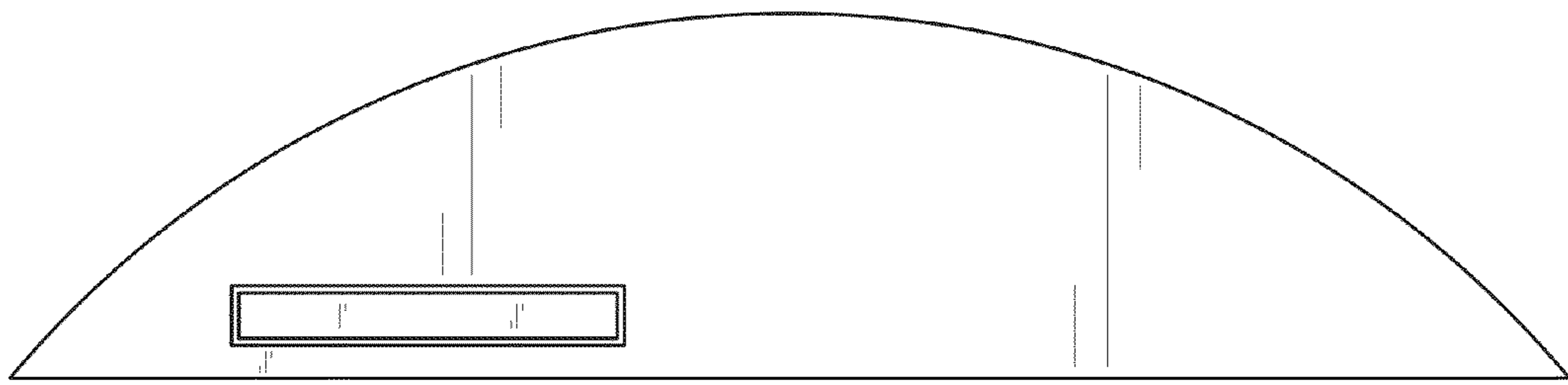


FIG. 7