



US00D740268S

(12) **United States Design Patent**  
**O'Neill et al.**

(10) **Patent No.:** **US D740,268 S**  
(45) **Date of Patent:** **\*\* Oct. 6, 2015**

(54) **CASE FOR A COMMUNICATION DEVICE**

(71) Applicant: **Premier Systems USA, Inc.**, Huntington Beach, CA (US)  
(72) Inventors: **Patrick D. O'Neill**, Huntington Beach, CA (US); **Chong Pak**, Lakewood, CA (US)  
(73) Assignee: **olloclip, LLC**, Huntington Beach, CA (US)

(\*\*) Term: **14 Years**

(21) Appl. No.: **29/441,469**

(22) Filed: **Jan. 4, 2013**

(51) **LOC (10) Cl.** ..... **14-03**

(52) **U.S. Cl.**  
USPC ..... **D14/250**

(58) **Field of Classification Search**  
USPC ..... D14/138 AD, 138 C, 138 G, 203.7, 230, D14/238.1, 240, 247, 248, 250, 253, 341, D14/345, 346, 439, 440, 447; D13/103, D13/107, 119; D3/201, 218, 228, 269, 273, D3/303; 206/320; 220/662; 361/679.27, 361/679.56, 737, 753; 224/666; 455/456.1, 455/572, 557, 575.1, 575.4, 575.8  
See application file for complete search history.

(56) **References Cited**

**U.S. PATENT DOCUMENTS**

D565,290	S	*	4/2008	Brandenburg et al.	.....	D3/218
D663,263	S	*	7/2012	Gupta et al.	.....	D13/103
D676,432	S	*	2/2013	Hasbrook et al.	.....	D14/250
D677,250	S	*	3/2013	Takamoto	.....	D14/250
D679,695	S	*	4/2013	Fahrendorff et al.	.....	D14/250
D684,567	S	*	6/2013	Murchison et al.	.....	D14/250
D706,271	S	*	6/2014	Gelsomini et al.	.....	D14/440
D709,439	S	*	7/2014	Ferber et al.	.....	D13/103
D709,485	S	*	7/2014	Bishop	.....	D14/250

D714,275	S	*	9/2014	Tompkin	.....	D14/250
D720,738	S	*	1/2015	Rodriguez et al.	.....	D14/250
2009/0181729	A1		7/2009	Griffin, Jr. et al.		
2011/0073505	A1		3/2011	Stiehl		
2013/0063004	A1*		3/2013	Lai et al.	.....	312/223.1
2014/0227026	A1*		8/2014	O'Neill et al.	.....	403/322.4

\* cited by examiner

*Primary Examiner* — Barbara Fox

(74) *Attorney, Agent, or Firm* — Knobbe, Martens, Olson & Bear, LLP

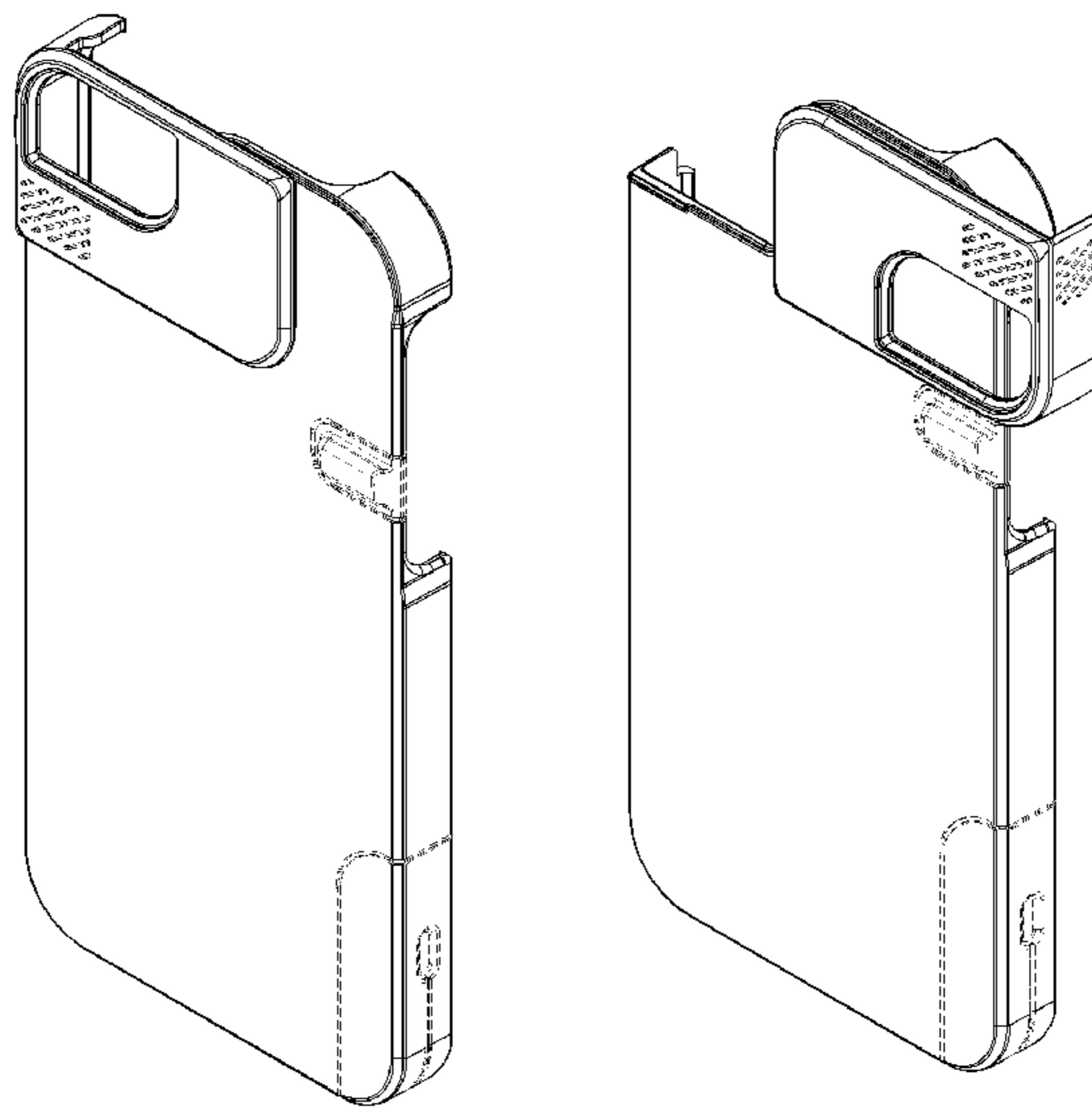
(57) **CLAIM**

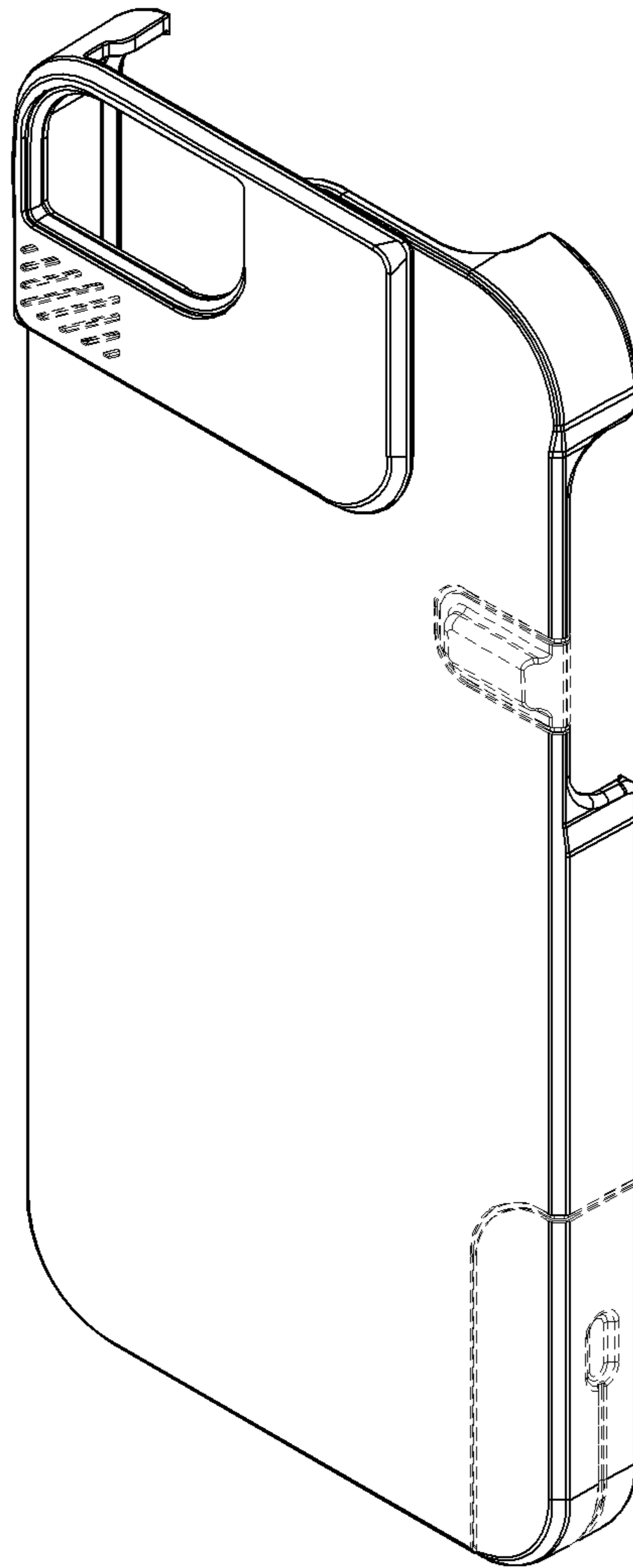
The ornamental design for a case for a communication device, as shown and described.

**DESCRIPTION**

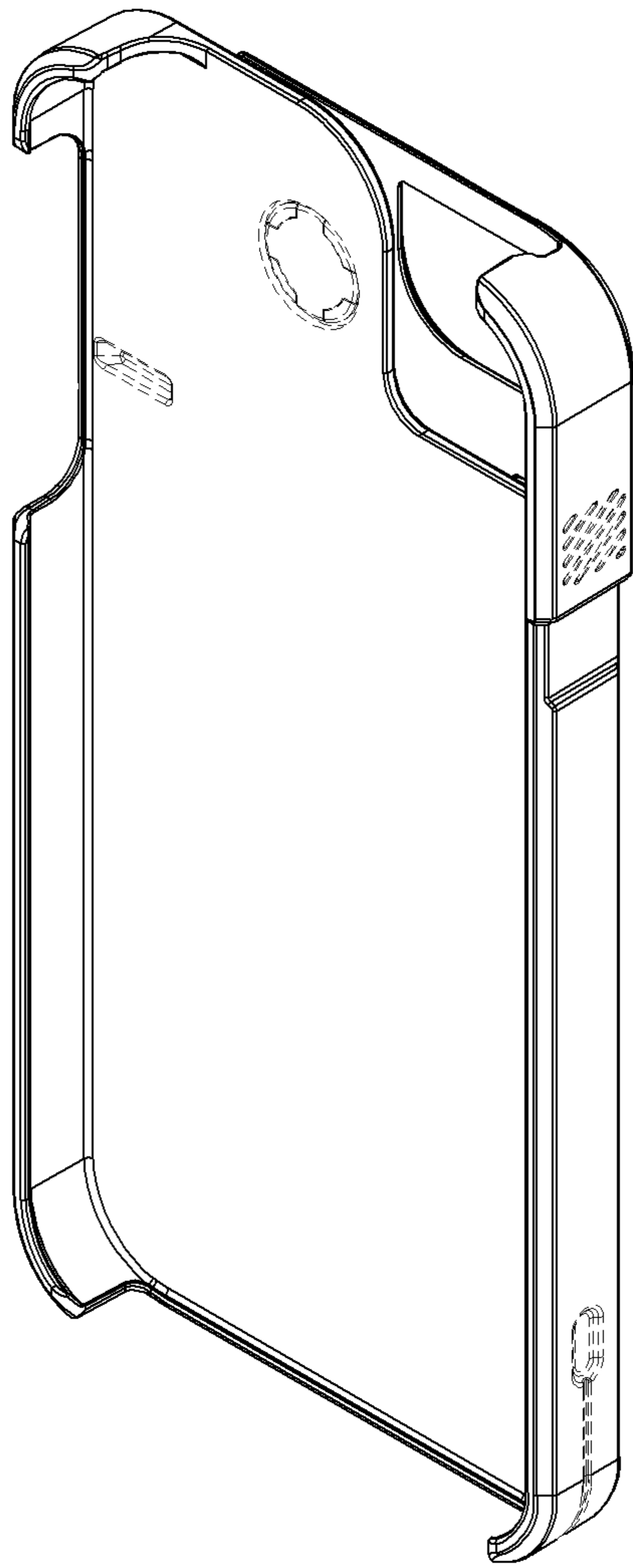
FIG. 1 is a front, top, and right side perspective view of a case for a communication device;  
FIG. 2 is a rear, top, and left side perspective view thereof;  
FIG. 3 is a front elevational view thereof;  
FIG. 4 is a rear elevational view thereof;  
FIG. 5 is a left side elevational view thereof;  
FIG. 6 is a right side elevational view thereof;  
FIG. 7 is a top plan view thereof;  
FIG. 8 is a bottom plan view thereof;  
FIG. 9 is a front, top, and right side perspective view of another embodiment of a case for a communication device;  
FIG. 10 is a rear, top, and left side perspective view thereof;  
FIG. 11 is a front elevational view thereof;  
FIG. 12 is a rear elevational view thereof;  
FIG. 13 is a left side elevational view thereof;  
FIG. 14 is a right side elevational view thereof;  
FIG. 15 is a top plan view thereof; and,  
FIG. 16 is a bottom plan view thereof.  
The broken lines shown in the drawings represent portions of the case for a communication device that form no part of the claimed design.

**1 Claim, 12 Drawing Sheets**

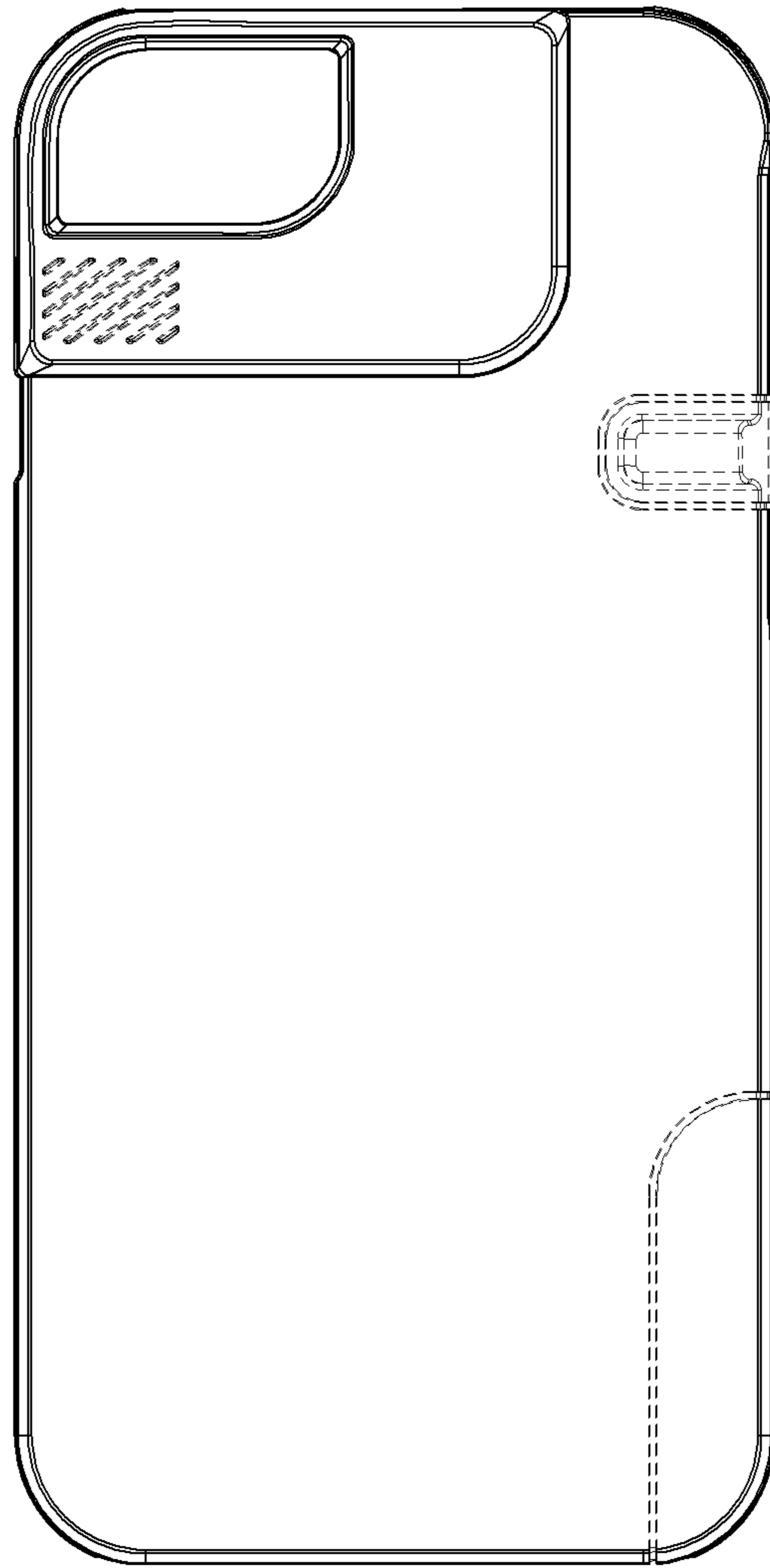




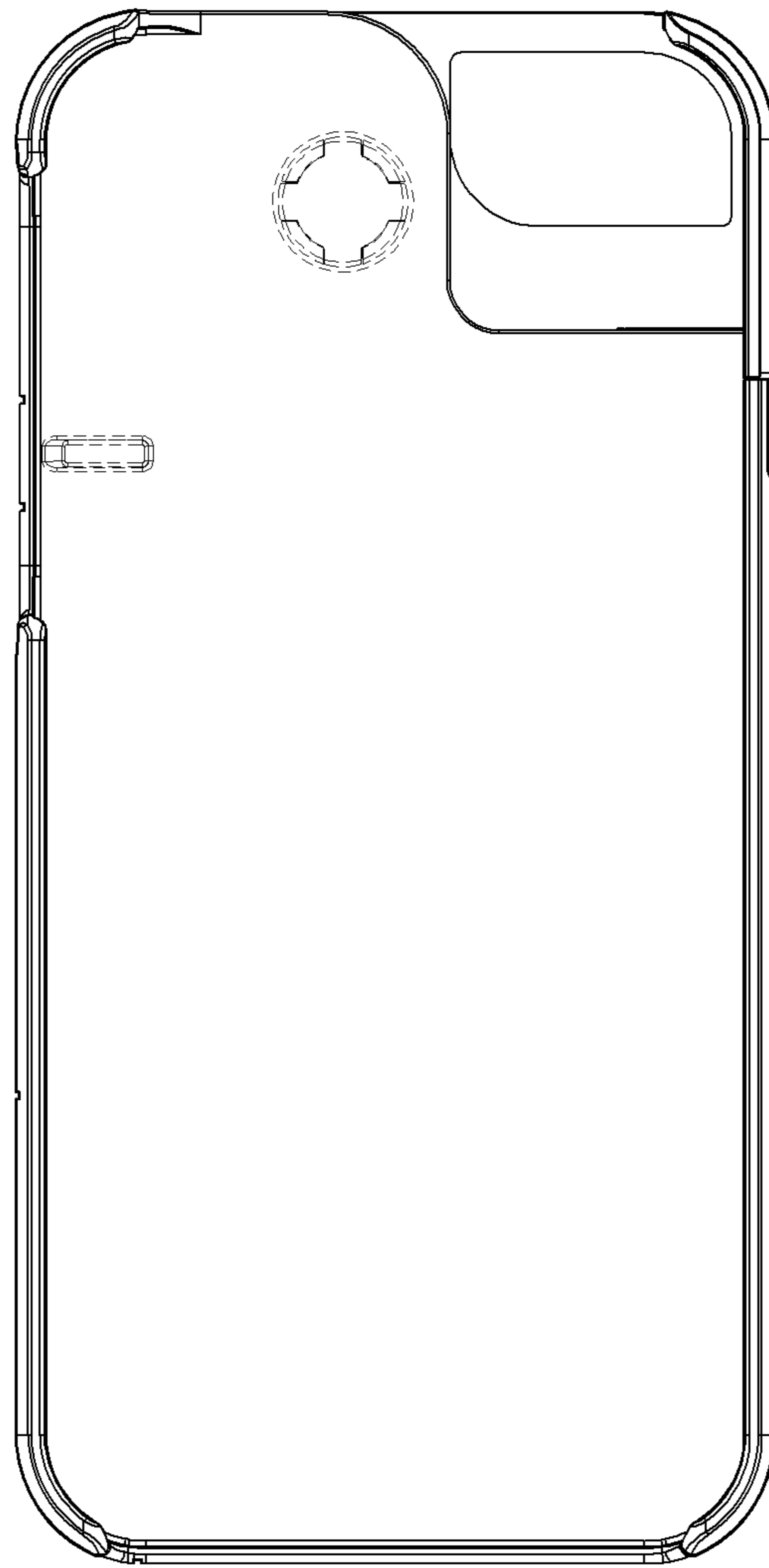
*FIG. 1*



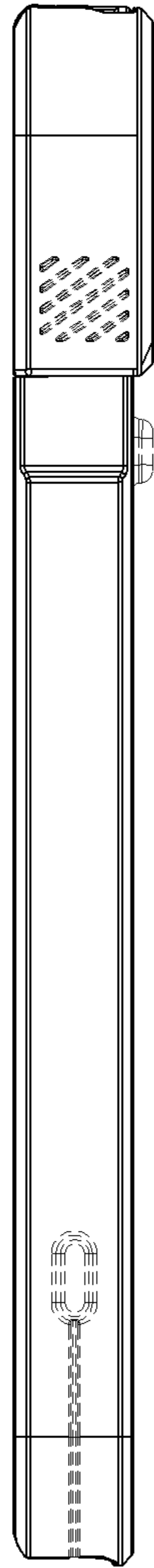
*FIG. 2*



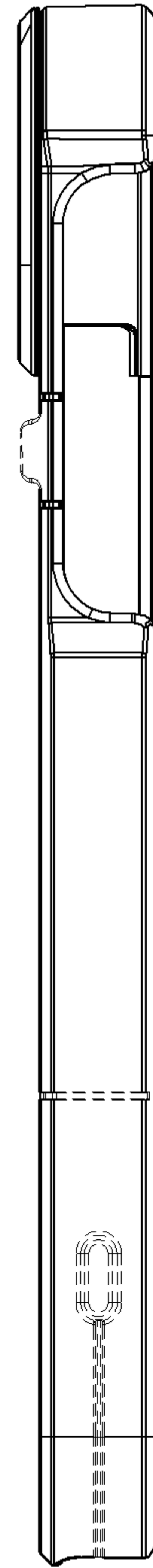
*FIG. 3*



*FIG. 4*



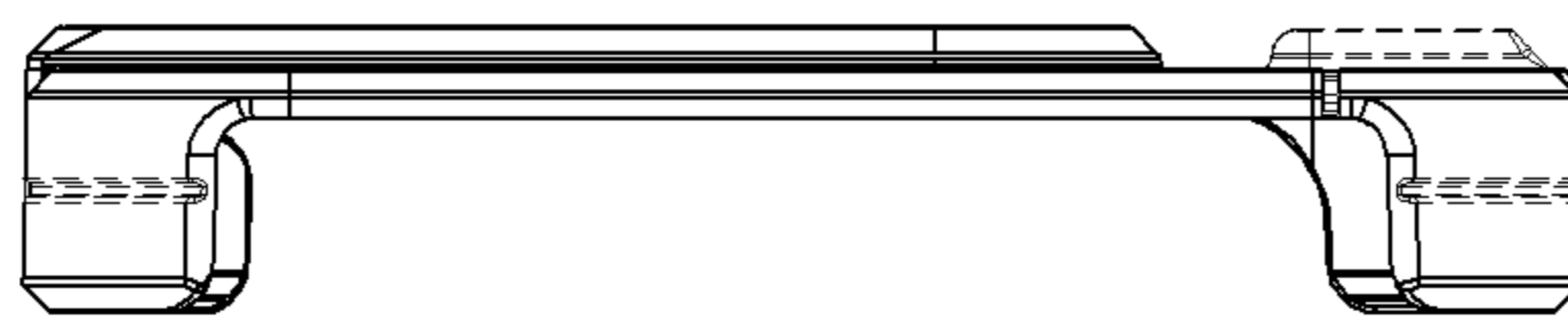
*FIG. 5*



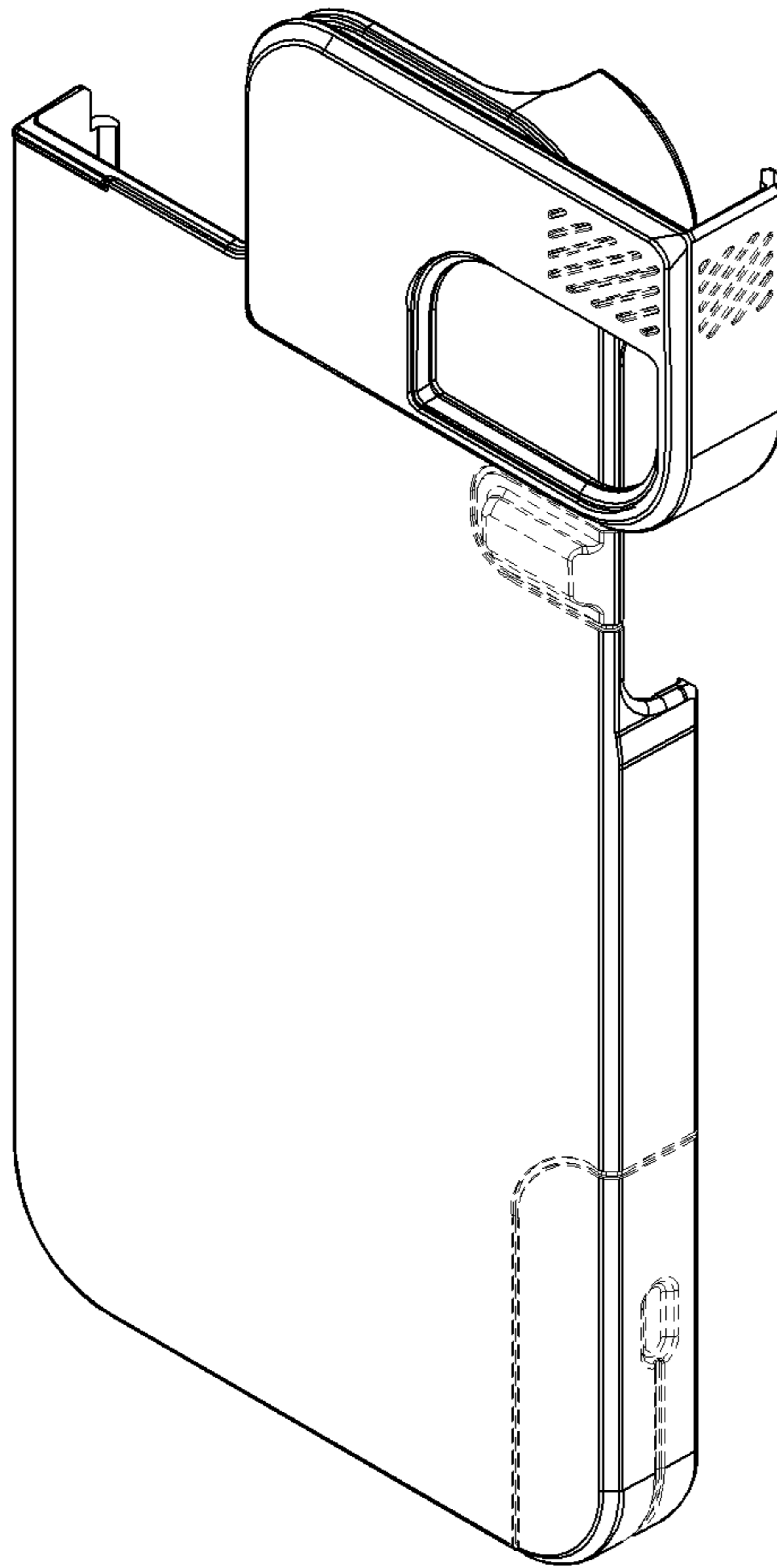
*FIG. 6*



*FIG. 7*

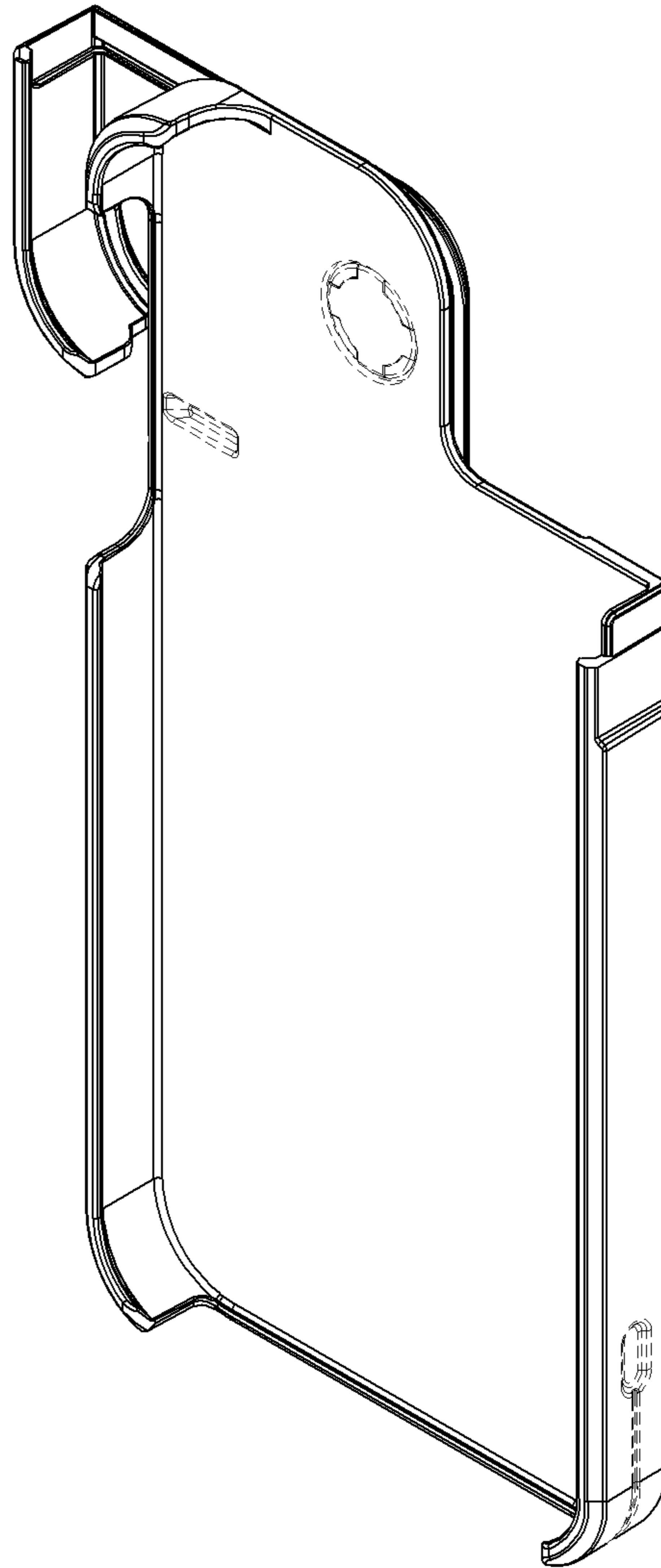


*FIG. 8*

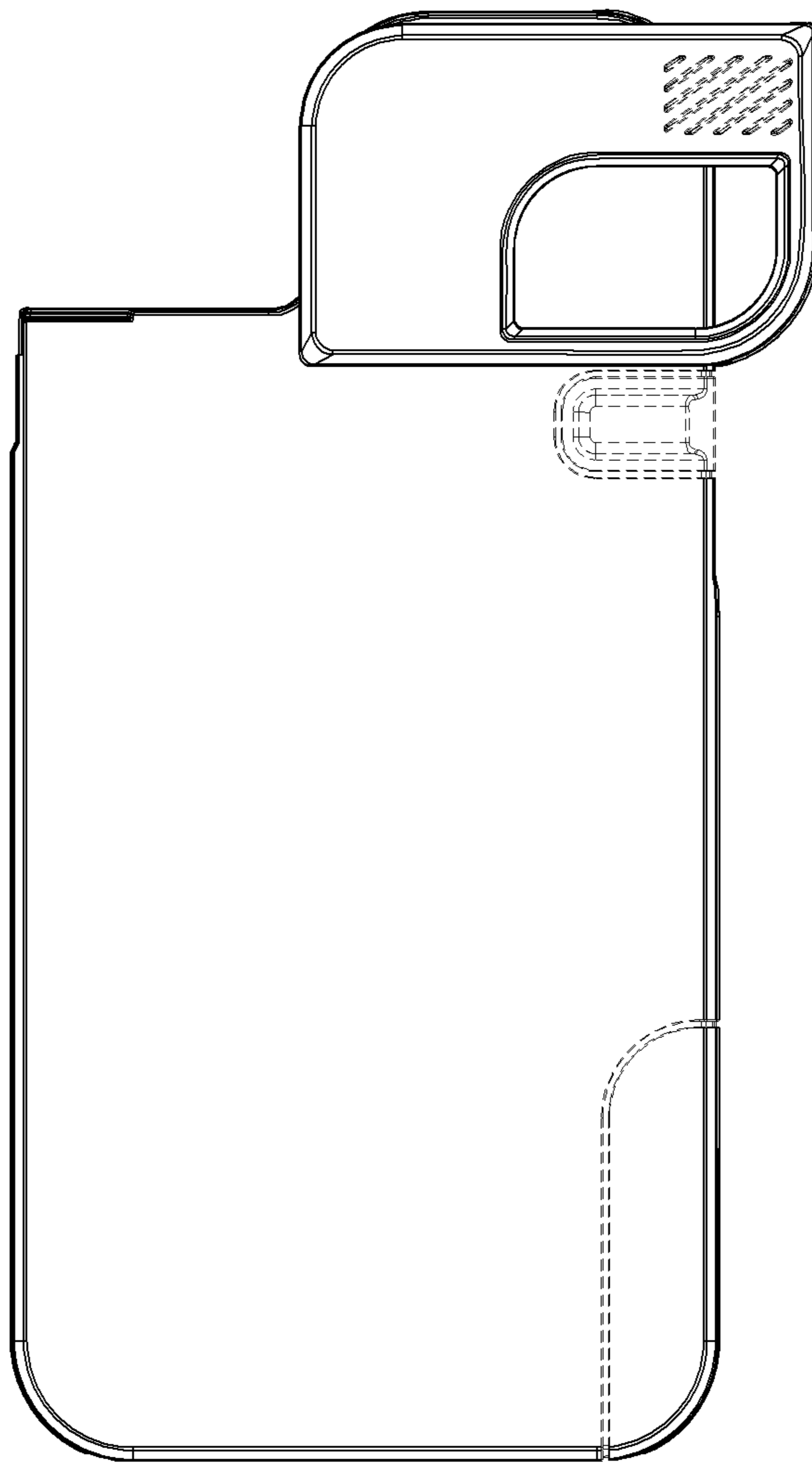


*FIG. 9*

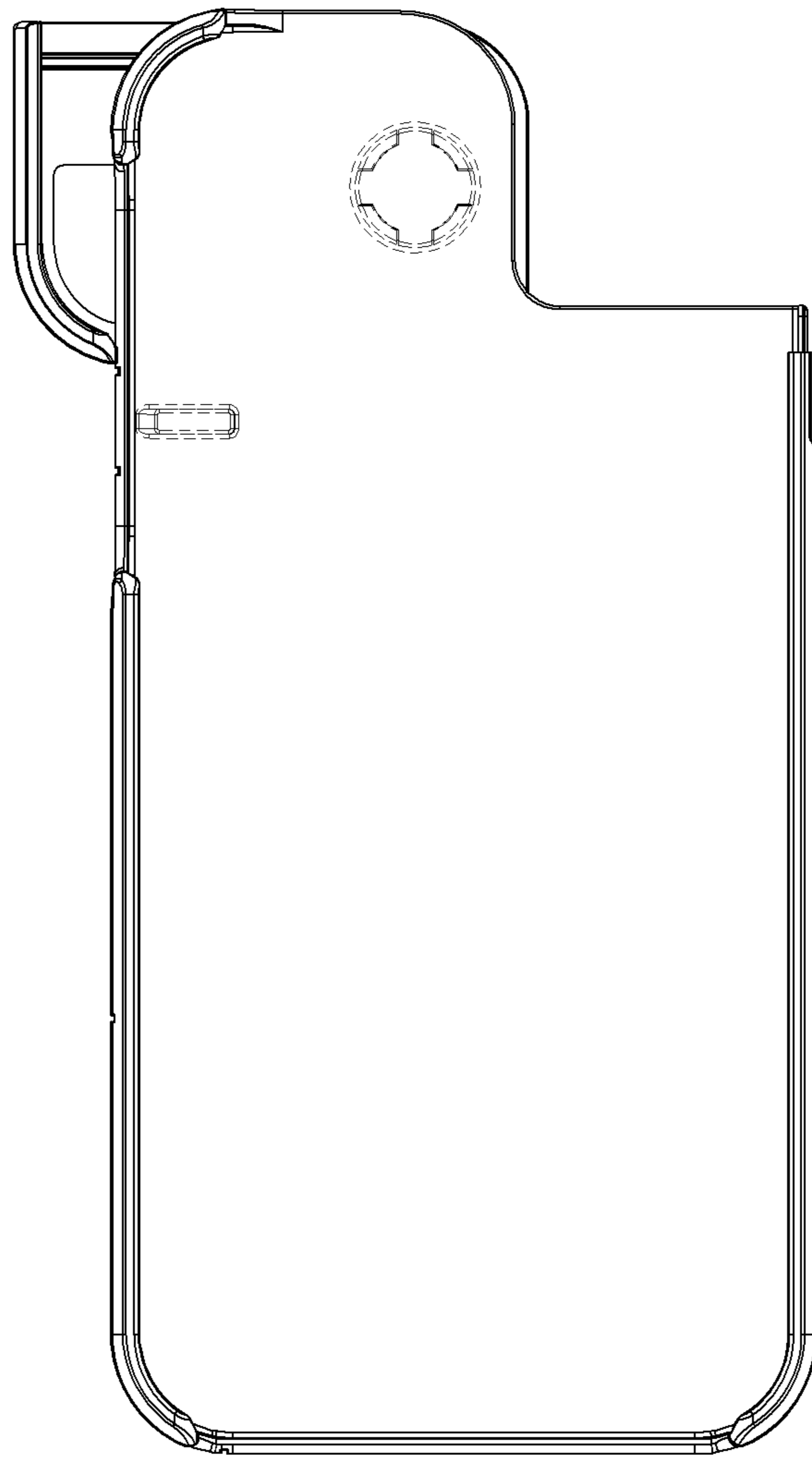




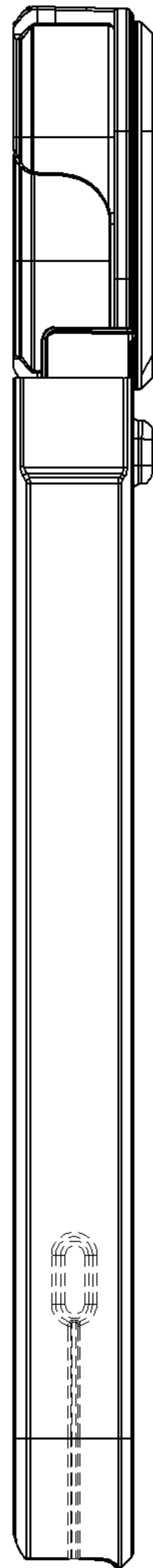
*FIG. 10*



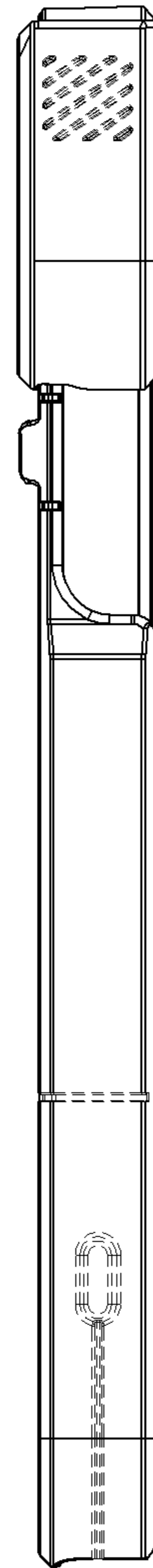
*FIG. 11*



*FIG. 12*



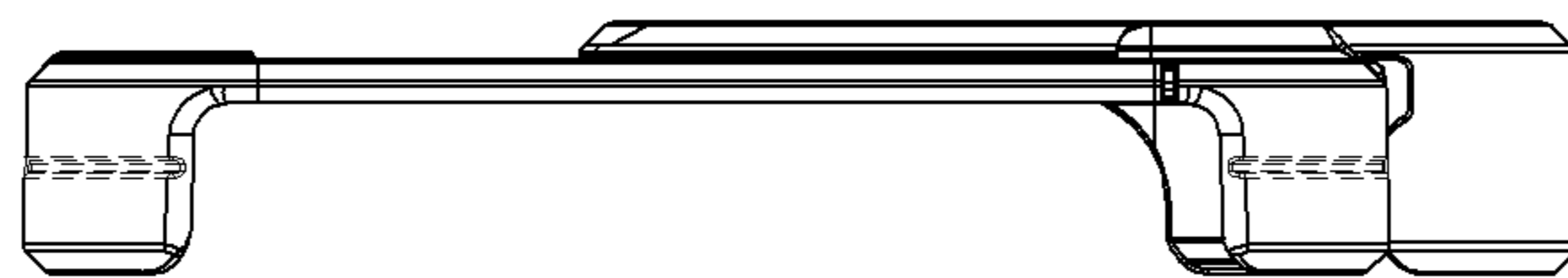
*FIG. 13*



*FIG. 14*



*FIG. 15*



*FIG. 16*