

US00D740266S

(12) **United States Design Patent**
Kim et al.

(10) **Patent No.:** **US D740,266 S**
(45) **Date of Patent:** **** Oct. 6, 2015**

(54) **MAIN BODY FOR MOBILE PHONE**

FOREIGN PATENT DOCUMENTS

(71) Applicant: **LG Electronics Inc.**, Seoul (KR)

JP D1502500 * 7/2014
JP D1513807 * 12/2014

(72) Inventors: **Hyunchul Kim**, Gyeonggi-do (KR);
Donghwan Lee, Gyeonggi-do (KR)

OTHER PUBLICATIONS

(73) Assignee: **LG Electronics Inc.**, Seoul (KR)

LG Revolution, announced Jan. 2011 [online], [retrieved on Feb. 1, 2011]. Retrieved from Internet ,<URL: <http://www.gsmarena.com>>.*

(**) Term: **14 Years**

(Continued)

(21) Appl. No.: **29/482,341**

Primary Examiner — Bridget L Eland
Assistant Examiner — Lauren McVey

(22) Filed: **Feb. 18, 2014**

(74) *Attorney, Agent, or Firm* — Morgan, Lewis & Bockius LLP

(30) **Foreign Application Priority Data**

(57) **CLAIM**

Aug. 21, 2013 (KR) 30-2013-0043006

The ornamental design for a main body for mobile phone, as shown and described.

(51) **LOC (10) Cl.** **14-03**

DESCRIPTION

(52) **U.S. Cl.**

USPC **D14/248**

(58) **Field of Classification Search**

USPC D14/248, 138 G, 138 AD, 341–347,
D14/138 AA, 138 AB, 138 R, 138 AC, 138 C,
D14/138, 137, 147, 218, 247, 191,
D14/203.1–203.8, 496; D13/168; D21/324,
D21/329, 517; 455/566, 575.1, 575.3,
455/575.4; D10/65, 78, 104.1, 104.2

CPC H04M 1/0202; H04M 1/0235; H04M
1/0237; H04M 1/0239; H04M 2250/52;
H04M 1/0266; H04M 1/0268; H04M 1/0295;
H04M 2250/22; G06F 1/1626; G06F 1/1624

See application file for complete search history.

FIG. 1 is a front perspective view of a main body for mobile phone showing our new design;
FIG. 2 is a front view thereof;
FIG. 3 is a rear view thereof;
FIG. 4 is a left side view thereof, the right side view being a mirror image thereof;
FIG. 5 is a top plan view thereof;
FIG. 6 is a bottom plan view thereof;
FIG. 7 is a rear perspective view thereof;
FIG. 8 is a cross-sectional view thereof taken along line 1-1;
and,
FIG. 9 is an exploded perspective view showing the path along which the claimed design connects with a display for mobile phone.

The dash-dot broken lines and evenly spaced broken lines shown in the figures that are immediately adjacent to the shaded areas and define unshaded regions, represent the bounds of the claim, while all other broken lines are directed to environment; the broken lines form no part of the claimed design.

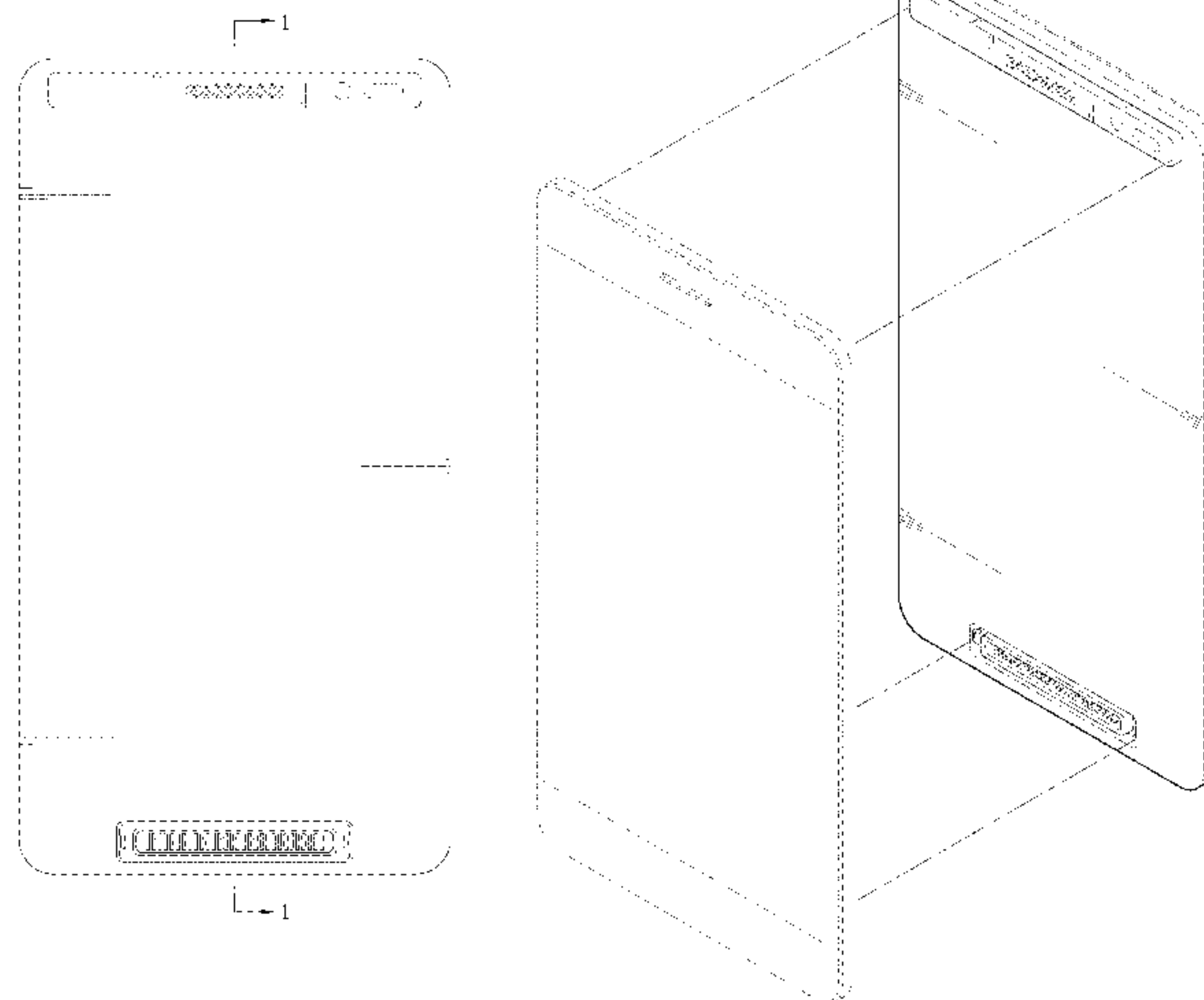
(56) **References Cited**

U.S. PATENT DOCUMENTS

D376,351 S * 12/1996 Matsumoto D14/346
D579,902 S * 11/2008 Kim et al. D14/138 AD
7,492,602 B2 * 2/2009 Kim et al. 361/752

(Continued)

1 Claim, 9 Drawing Sheets



(56)

References Cited

U.S. PATENT DOCUMENTS

D596,605 S * 7/2009 Son et al. D14/138 AD
 D598,409 S * 8/2009 Jung et al. D14/138 G
 D603,821 S * 11/2009 Hansen D14/138 AD
 D622,248 S * 8/2010 Kwon et al. D14/138 G
 D633,892 S * 3/2011 Chen D14/138 G
 D647,501 S * 10/2011 Kim D14/138 G
 D648,299 S * 11/2011 Kim D14/138 G
 D650,347 S * 12/2011 Wong D14/138 G
 8,116,073 B2 * 2/2012 Hung et al. 361/679.28
 D666,202 S * 8/2012 Dinh et al. D14/439
 D673,562 S * 1/2013 Johnson D14/346
 D677,664 S * 3/2013 Akana et al. D14/439
 D677,666 S * 3/2013 Akana et al. D14/439
 D697,511 S * 1/2014 Andre et al. D14/439
 D697,918 S * 1/2014 Akana et al. D14/439
 D698,787 S * 2/2014 Kim D14/341
 D700,161 S * 2/2014 Yoshihara D14/138 G
 D703,179 S * 4/2014 Choe et al. D14/138 G
 D714,294 S * 9/2014 Dinh et al. D14/439

D716,248 S * 10/2014 Hill et al. D14/138 G
 D730,310 S * 5/2015 Hundt et al. D14/138 G
 2014/0031088 A1 * 1/2014 Nakamura et al. 455/566
 2014/0098473 A1 * 4/2014 Chen et al. 361/679.01

OTHER PUBLICATIONS

Samsung Galaxy S II AT&T, announced Aug. 2011 [online],
 [retrieved on Sep. 14, 2011]. Retrieved from Internet ,<URL: <http://www.gsmarena.com>>.*
 Pantech Vega R3 IM-A850L, announced Oct. 2012 [online],
 [retrieved on Nov. 28, 2012]. Retrieved from Internet ,<URL: <http://www.gsmarena.com>>.*
 Spice Mi-500 Stellar Horizon announced Sep. 2012 [online],
 [retrieved on Nov. 29, 2012]. Retrieved from Internet ,<URL: <http://www.gsmarena.com>>.*
 O'Brien, "Concept: HTC Tube is a 'Cartridge Powered Phone,'" <http://mobilesyrup.com/2011/01/25/concept-htc-tube-is-a-cartridge-powered-phone/>, Jan. 25, 2011.

* cited by examiner

FIG. 1

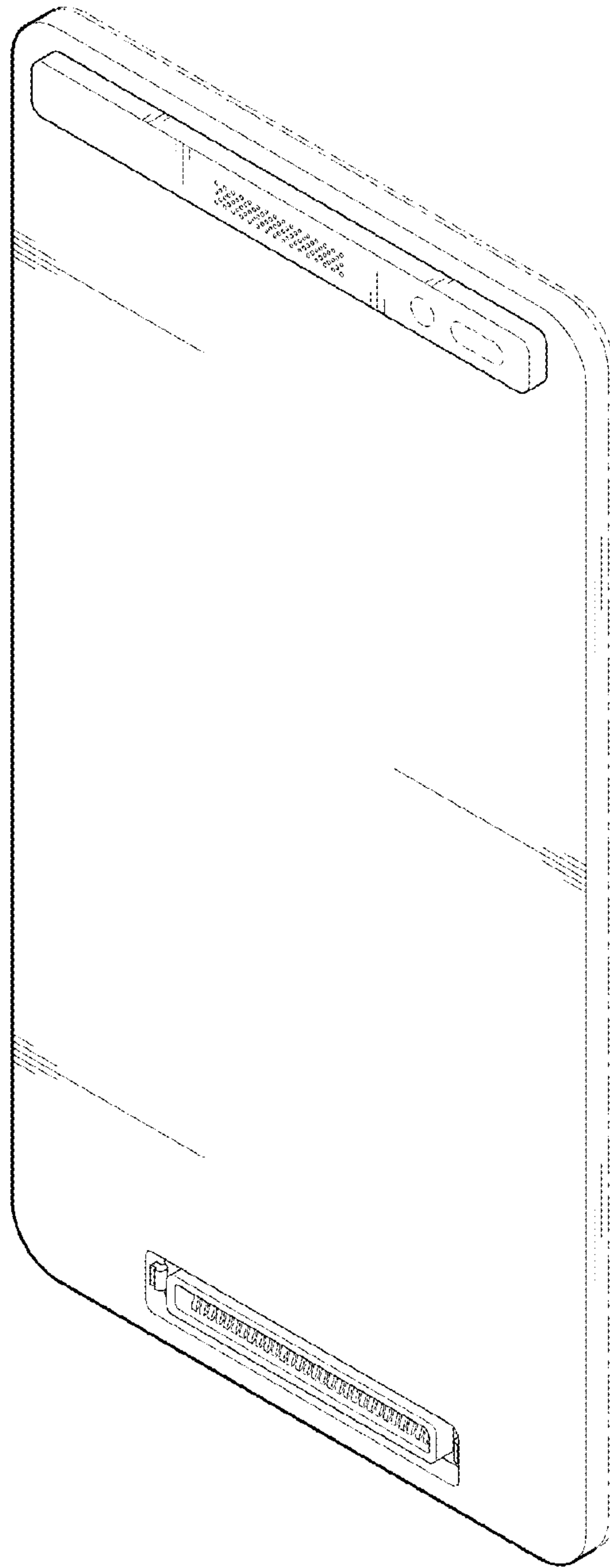


FIG. 2

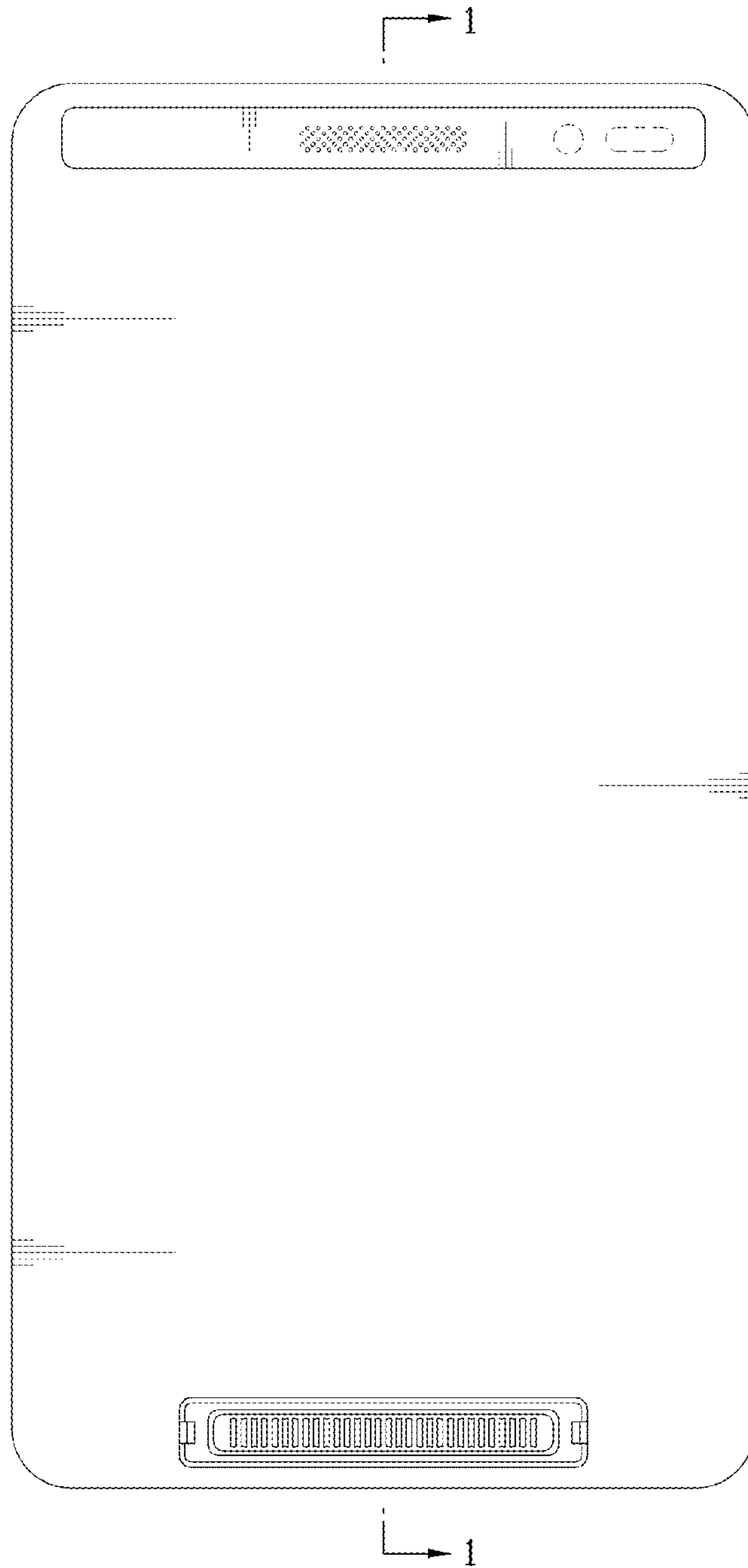


FIG. 3

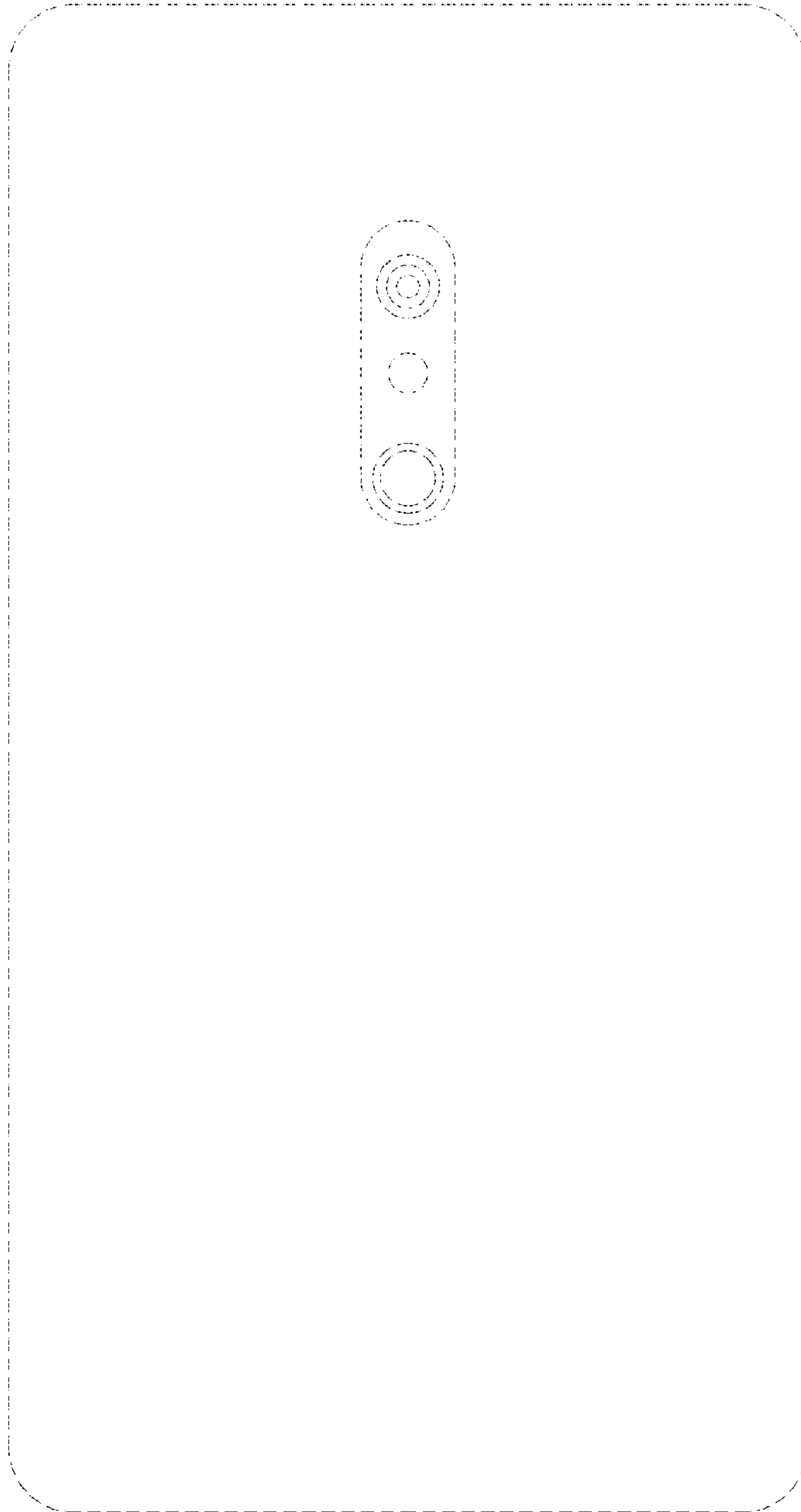


FIG. 4

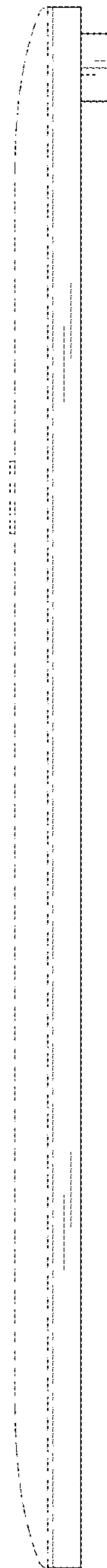


FIG. 5

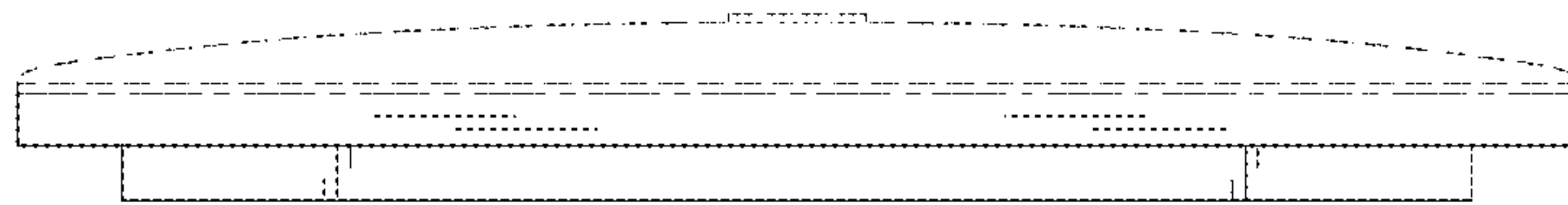


FIG. 6

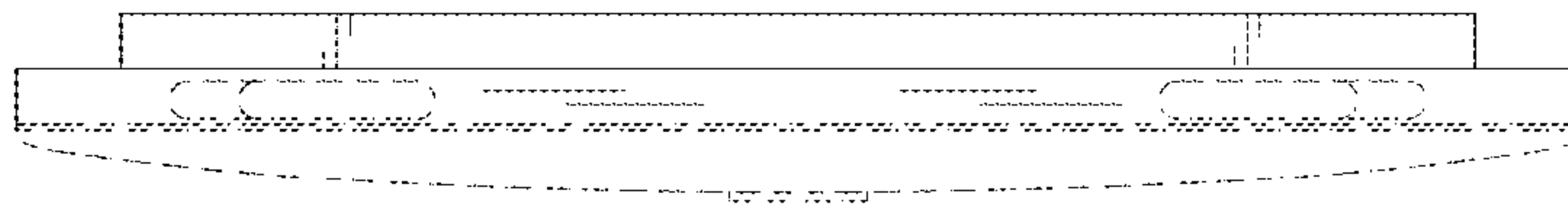


FIG. 7

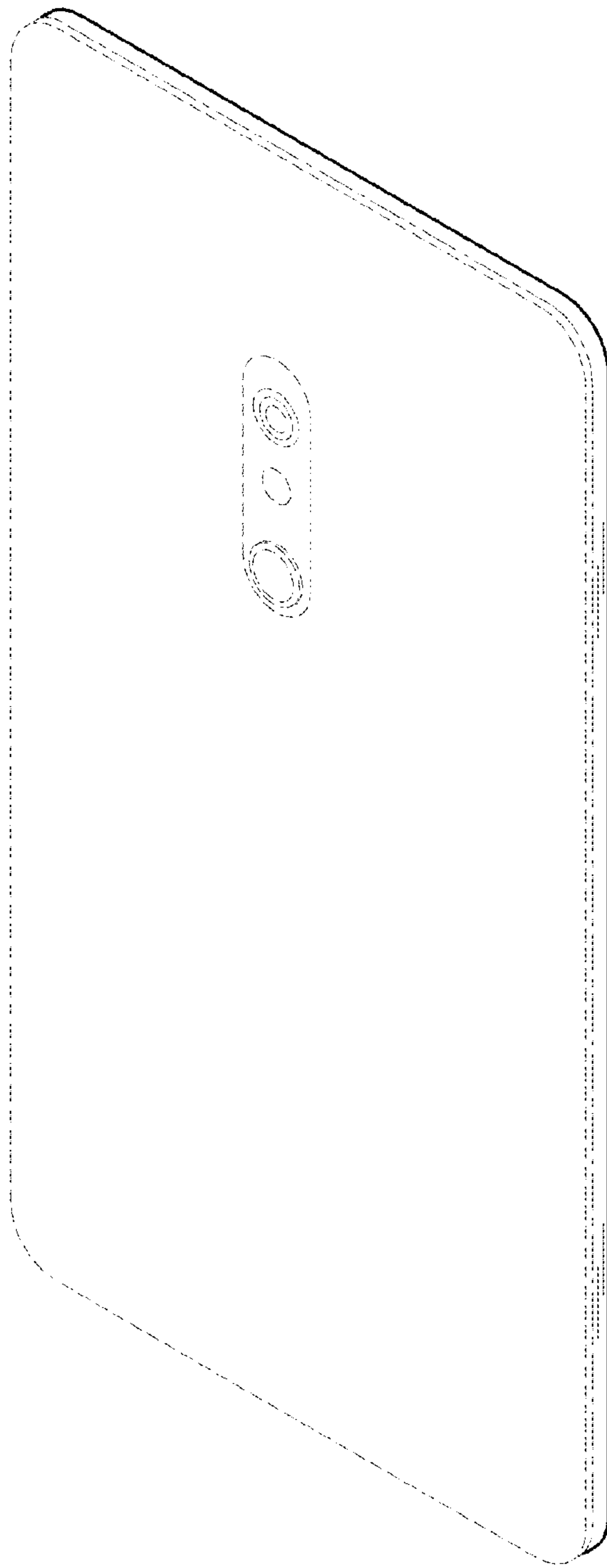


FIG. 8

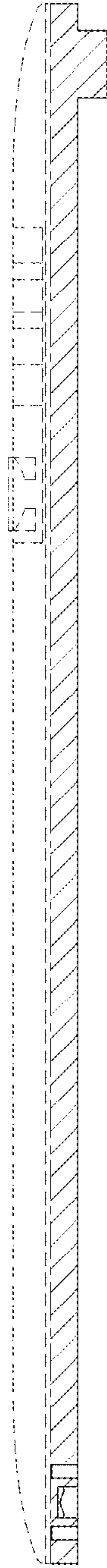


FIG. 9

