



US00D740265S

(12) **United States Design Patent**
Joung et al.

(10) **Patent No.:** **US D740,265 S**
(45) **Date of Patent:** **** Oct. 6, 2015**

(54) **MOBILE PHONE**

(71) Applicant: **LG ELECTRONICS INC.**, Seoul (KR)

(72) Inventors: **Joungyoung Joung**, Seoul (KR);
Woonlee Park, Seoul (KR); **Joonhyung Kim**, Gyeonggi-do (KR)

(73) Assignee: **LG Electronics Inc.**, Seoul (KR)

(**) Term: **14 Years**

(21) Appl. No.: **29/477,693**

(22) Filed: **Dec. 26, 2013**

(30) **Foreign Application Priority Data**

Jun. 28, 2013 (KR) 30-2013-0033563

(51) **LOC (10) Cl.** **14-03**

(52) **U.S. Cl.**
USPC **D14/248**

(58) **Field of Classification Search**
USPC D14/138 G, 138 AC, 138 AD, 138 R,
D14/203.1, 203.3, 203.5, 203.7, 218, 248,
D14/257, 250, 341, 441, 443, 496, 138 AB;
D21/517, 329, 331; D13/168; D10/65,
D10/78; 455/556.1, 556.2, 575.1, 575.3,
455/575.4, 566; 379/433.01, 433.04;
361/679.3, 679.56

CPC ... H04M 1/02; H04M 1/0202; H04M 1/0235;
H04M 1/0237; H04M 1/0239; H04M 2250/22;
H04M 1/72519; H04M 1/03

See application file for complete search history.

(56) **References Cited**

U.S. PATENT DOCUMENTS

- D489,365 S * 5/2004 Shimamura et al. D14/248
- D525,609 S * 7/2006 Kim et al. D14/138 AB
- D546,306 S * 7/2007 Lee D14/138 AB
- D546,309 S * 7/2007 Lee D14/138 AB
- D560,631 S * 1/2008 Sheu et al. D14/138 AA

- D589,487 S * 3/2009 Park et al. D14/138 AD
- D590,384 S * 4/2009 McPhail D14/248
- D590,822 S * 4/2009 Leith et al. D14/248
- D599,338 S * 9/2009 Eguchi D14/248
- D603,360 S * 11/2009 Su et al. D14/138 AB
- D615,971 S * 5/2010 Chien et al. D14/341

(Continued)

OTHER PUBLICATIONS

LG Versa (Verizon Wireless) review, uploaded Feb. 25, 2009, by Nicole Lee, [online], [site visited May 14, 2015]. Available from Internet, <URL: <http://www.cnet.com/products/lg-versa-verizon-wireless/2/>>.*

(Continued)

Primary Examiner — Jeffrey D Asch

Assistant Examiner — Sanjeev Paul

(74) *Attorney, Agent, or Firm* — Morgan, Lewis & Bockius LLP

(57) **CLAIM**

The ornamental design for a mobile phone, as shown and described.

DESCRIPTION

FIG. 1 is a rear perspective view of a mobile phone showing our new design;

FIG. 2 is a front view thereof;

FIG. 3 is a rear view thereof;

FIG. 4 is a left side view thereof;

FIG. 5 is a right side view thereof;

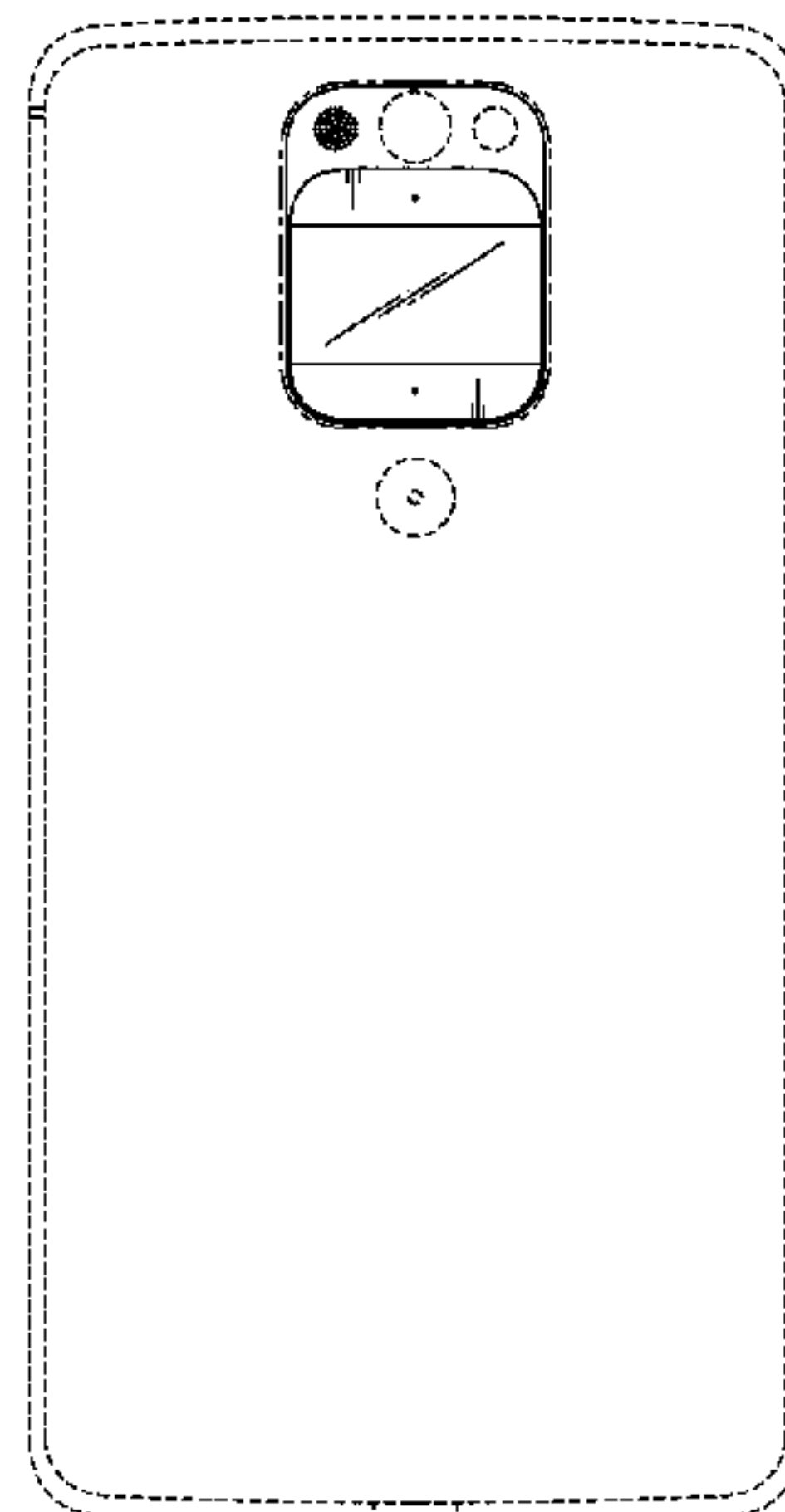
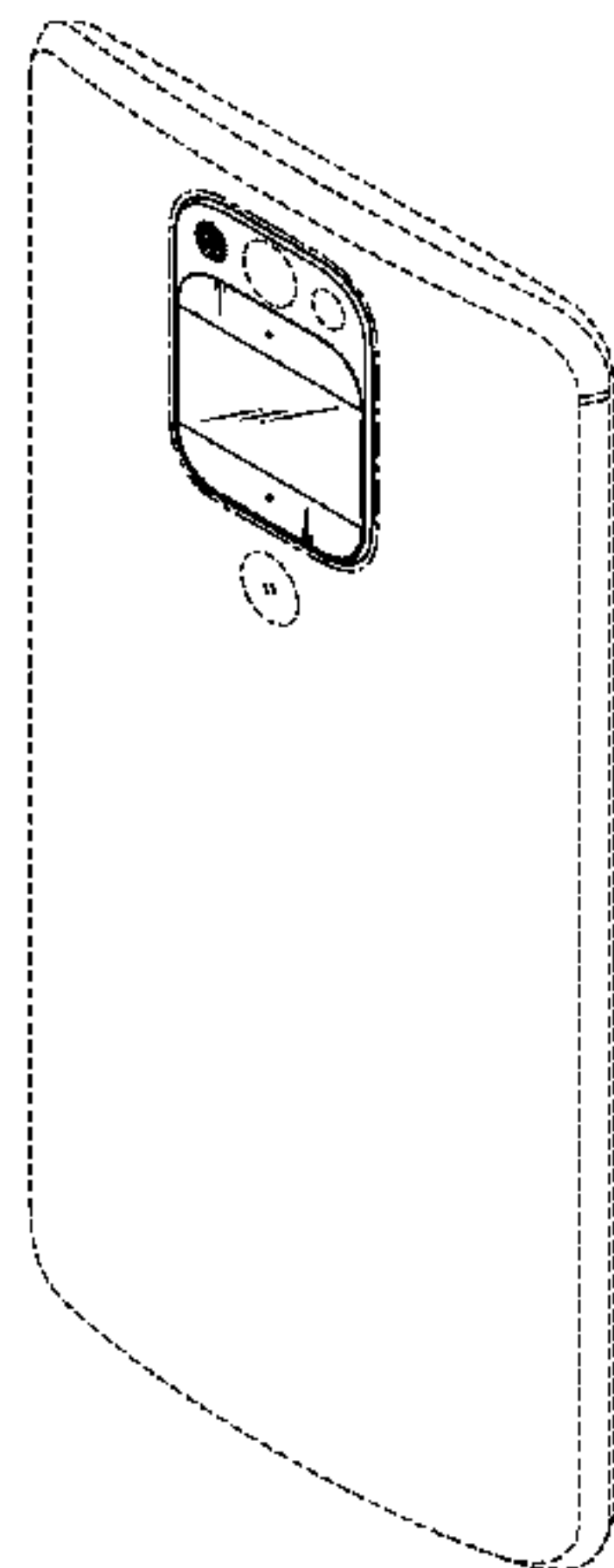
FIG. 6 is a top plan view thereof;

FIG. 7 is a bottom plan view thereof; and,

FIG. 8 is a front perspective view thereof.

The broken lines shown in the figures that are immediately adjacent to the shaded areas and define unshaded regions represent the bounds of the claim, while all other broken lines are directed to environment; the broken lines form no part of the claimed design. The dash-dot broken lines define the bounds of the claimed design and form no part thereof.

1 Claim, 7 Drawing Sheets



(56)

References Cited

U.S. PATENT DOCUMENTS

D622,714 S * 8/2010 He D14/248
 D643,826 S * 8/2011 Tsai D14/138 AD
 D647,871 S * 11/2011 Han D14/138 AB
 D674,369 S * 1/2013 JaeWoong D14/138 G
 D681,600 S * 5/2013 Gebski D14/159
 D687,401 S * 8/2013 Park D14/138 G
 D688,217 S * 8/2013 Son D14/138 G
 D692,419 S * 10/2013 Rayner D14/250
 D714,273 S * 9/2014 Kim et al. D14/248
 D715,282 S * 10/2014 Chang et al. D14/248
 D723,498 S * 3/2015 Joung et al. D14/138 G
 D724,571 S * 3/2015 Choi et al. D14/248
 D725,069 S * 3/2015 Choe et al. D14/138 G
 D725,641 S * 3/2015 Joung et al. D14/248
 D728,506 S * 5/2015 Joung et al. D14/138 G
 2013/0288531 A1 * 10/2013 Son et al. 439/627
 2014/0080542 A1 * 3/2014 Pan et al. 455/556.1

OTHER PUBLICATIONS

LG Nitro HD, announced Nov. 2011, [online], [site visited May 14, 2015]. Available from Internet, <URL: http://www.gsmarena.com/lg_nitro_hd-4329.php>.*
 LG Optimus 2X, announced Dec. 2010, [online], [site visited May 14, 2015]. Available from Internet, <URL: http://www.gsmarena.com/lg_optimus_2x-3598.php>.*
 LG G2, announced Aug. 2014, [online], [site visited May 11, 2014]. Available from Internet, <URL: http://www.gsmarena.com/lg_g2-5543.php>.*
 LG G3 Screen, announced Oct. 2014, [online], [site visited May 11, 2014]. Available from Internet, <URL: http://www.gsmarena.com/lg_g3_screen-6750.php>.*
 LG G3 Dual-LTE telephone, announced Oct. 2014, [online], [site visited Dec. 19, 2014]. Available from Internet, <URL: http://www.gsmarena.com/lg_g3_dual_lte-6764.php>.*

* cited by examiner

FIG. 1

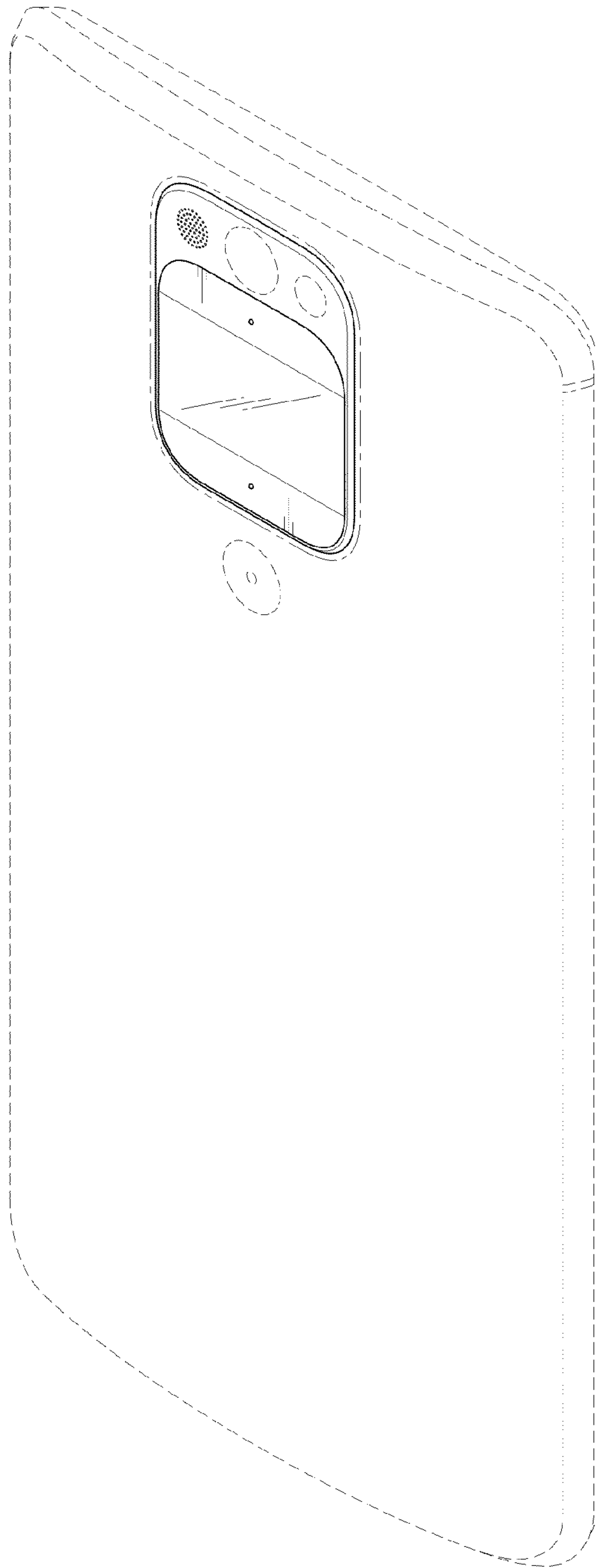


FIG. 2

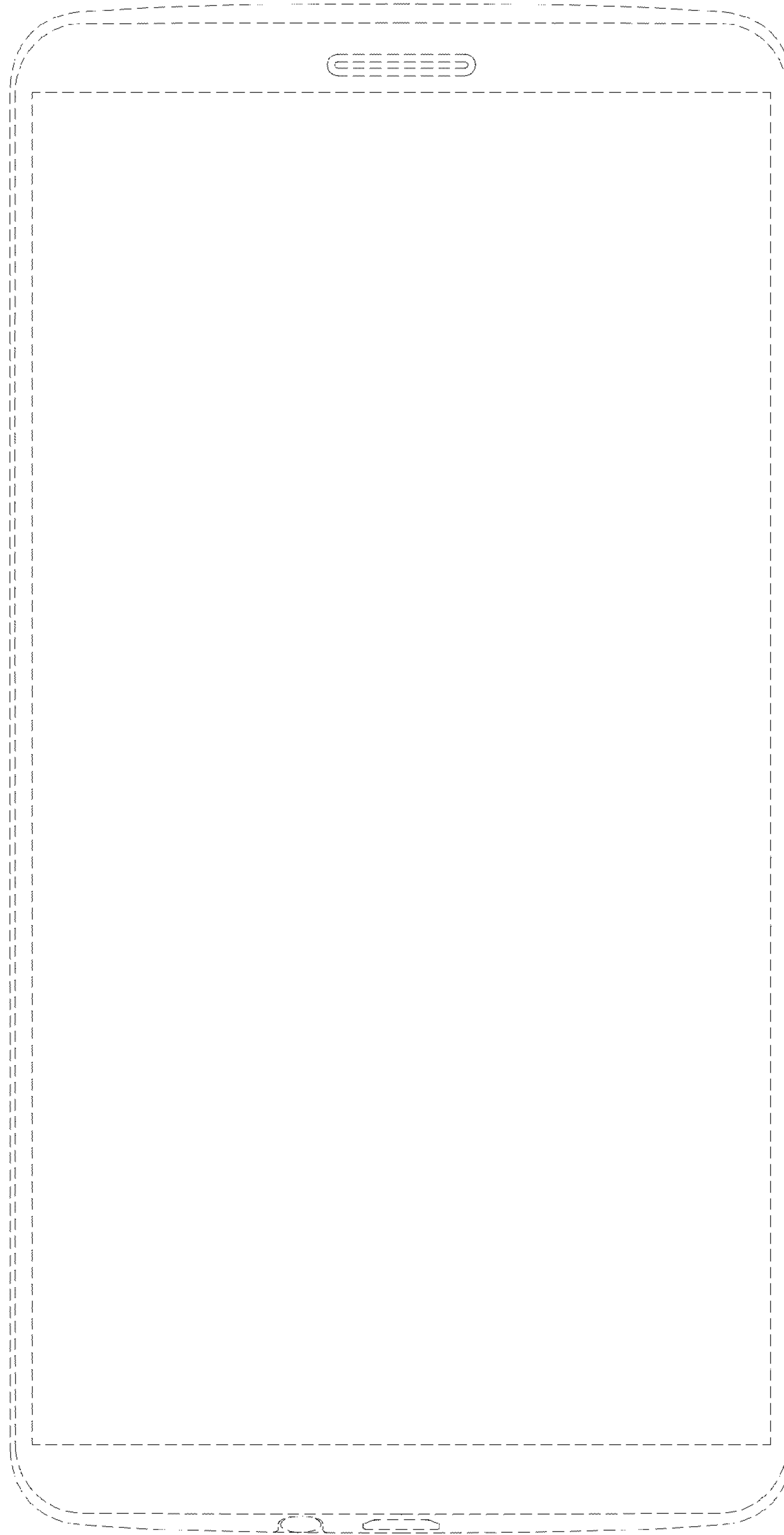


FIG. 3

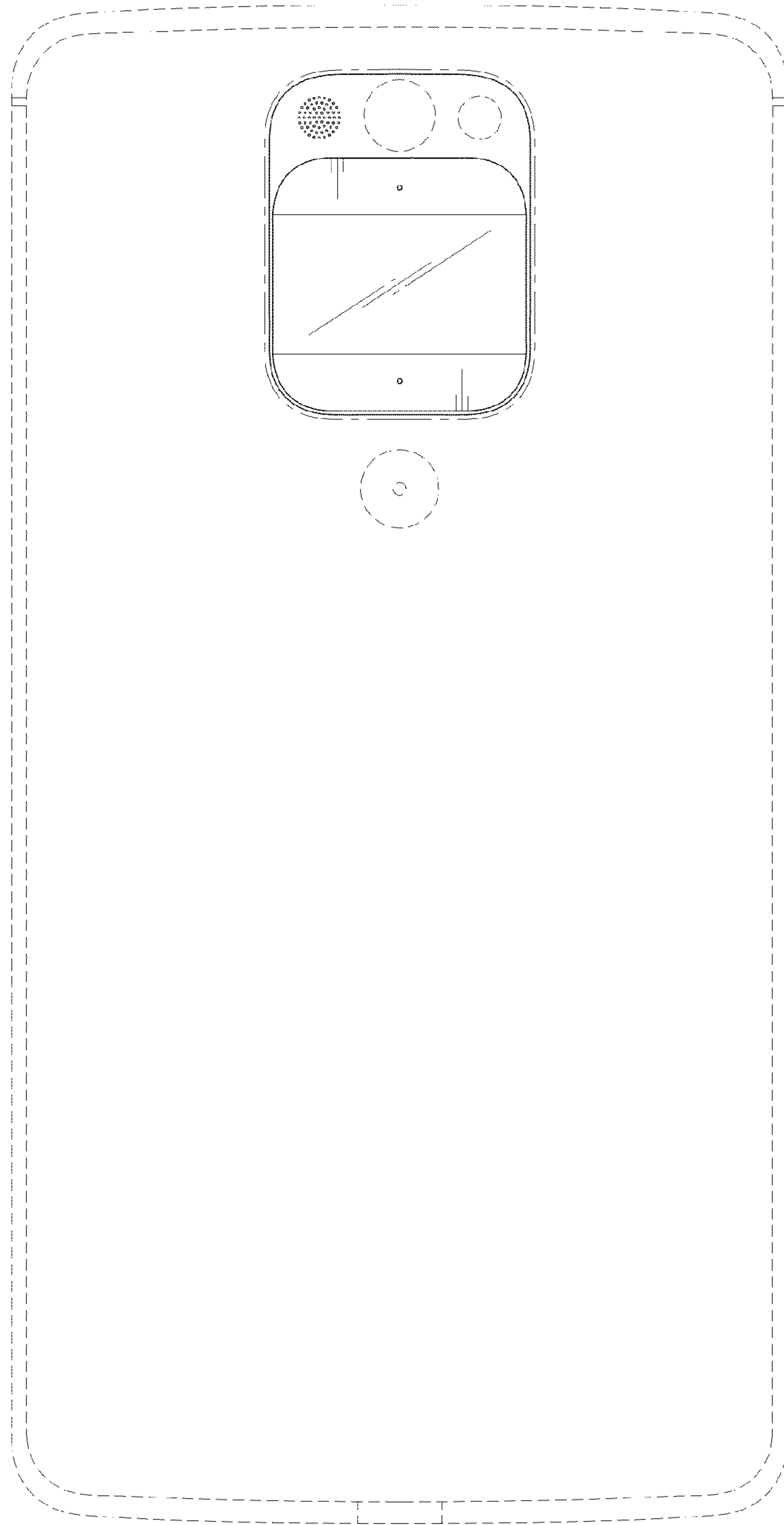


FIG. 4

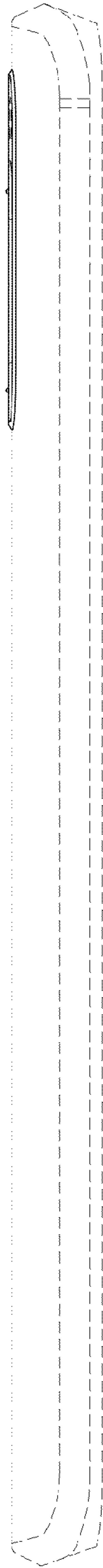


FIG. 5

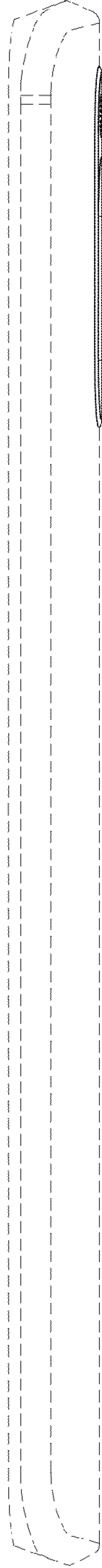


FIG. 6

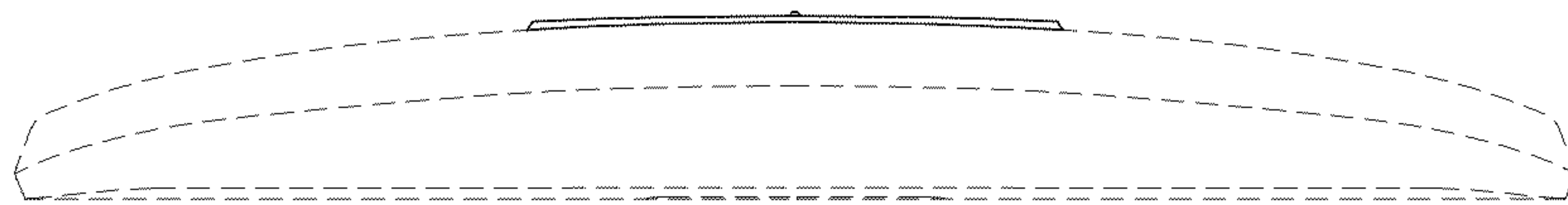


FIG. 7

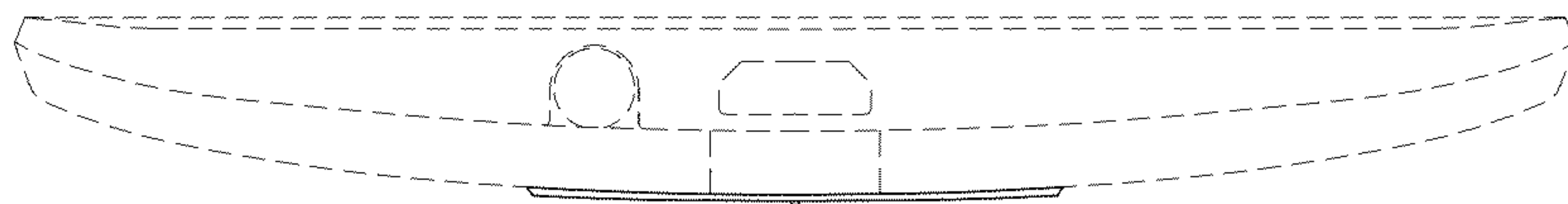


FIG. 8

