



US00D740260S

(12) **United States Design Patent**  
**Brunner et al.**

(10) **Patent No.:** **US D740,260 S**

(45) **Date of Patent:** **\*\* Oct. 6, 2015**

(54) **AUDIO LISTENING SYSTEM**

(71) Applicant: **Apple Inc.**, Cupertino, CA (US)

(72) Inventors: **Robert Brunner**, San Francisco, CA (US); **Christopher Kuh**, San Francisco, CA (US)

(73) Assignee: **Apple Inc.**, Cupertino, CA (US)

(\*\*) Term: **14 Years**

(21) Appl. No.: **29/501,037**

(22) Filed: **Aug. 29, 2014**

**Related U.S. Application Data**

(63) Continuation of application No. 29/441,334, filed on Jan. 3, 2013, now Pat. No. Des. 712,382.

(51) **LOC (10) CI.** ..... **14-01**

(52) **U.S. CI.**  
USPC ..... **D14/223**

(58) **Field of Classification Search**  
USPC ..... D14/223; 181/129, 130, 135; 379/430, 379/431; 381/380, 381; 455/90.3, 575.1  
CPC ..... H04R 1/1016  
See application file for complete search history.

(56) **References Cited**

**U.S. PATENT DOCUMENTS**

2,009,390	A	7/1935	Armand
2,248,837	A	7/1941	Walters
2,430,229	A	11/1947	Kelsey
2,474,135	A	6/1949	White
2,545,731	A	3/1951	French
2,739,660	A	3/1956	French
D233,444	S	10/1974	Christian et al.
D241,881	S	10/1976	Peterson
4,253,452	A	3/1981	Powers et al.
D270,634	S	9/1983	Ungar
D276,143	S	10/1984	Williams

4,646,872	A	3/1987	Kamon et al.
D299,344	S	1/1989	Stevens
D299,454	S	1/1989	Kwong
D309,306	S	7/1990	Weiser et al.
D316,550	S	4/1991	Sogabe

(Continued)

**FOREIGN PATENT DOCUMENTS**

TW D126814 1/2009

**OTHER PUBLICATIONS**

Search Report dated Oct. 3, 2011 for Taiwanese Application No. 099303307.

(Continued)

*Primary Examiner* — Paula Greene

(74) *Attorney, Agent, or Firm* — Sterne, Kessler, Goldstein & Fox P.L.L.C.

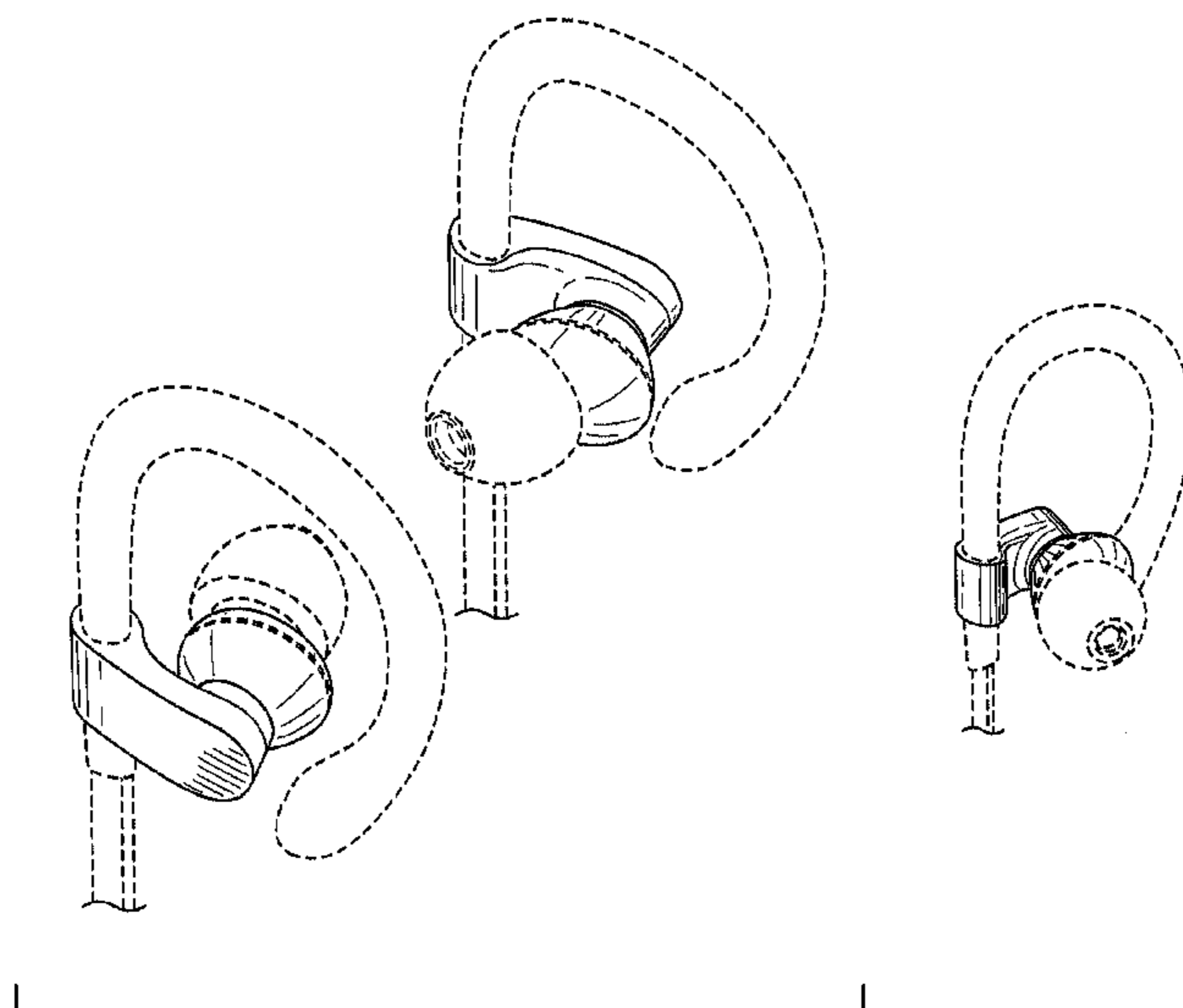
(57) **CLAIM**

The ornamental design for an audio listening system, as shown and described.

**DESCRIPTION**

FIG. 1 is a top rear perspective view of an audio listening system showing our new design; FIG. 2 is a front view thereof; FIG. 3 is a rear view thereof; FIG. 4 is a side perspective view of the earpiece thereof, shown separately for purposes of illustration; FIG. 5 is an opposing side perspective view of the earpiece thereof; FIG. 6 is a top view of the earpiece thereof; and, FIG. 7 is a bottom view of the earpiece thereof. The broken lines in the Figures are for illustrative purposes only and show portions of an audio listening system or environment that form no part of the claimed design.

**1 Claim, 3 Drawing Sheets**



(56)

References Cited

U.S. PATENT DOCUMENTS

D318,670 S 7/1991 Taniguchi  
 D326,855 S 6/1992 Bose et al.  
 5,179,501 A 1/1993 Ocken et al.  
 D334,043 S 3/1993 Taniguchi et al.  
 5,210,792 A \* 5/1993 Kajihara ..... 379/430  
 D375,959 S \* 11/1996 Davis et al. .... D14/223  
 5,625,171 A 4/1997 Marshall  
 5,659,156 A 8/1997 Mauney et al.  
 D383,757 S 9/1997 Dobrusskin et al.  
 D385,254 S 10/1997 Owusu  
 D421,755 S \* 3/2000 Pitel ..... D14/240  
 D430,060 S 8/2000 Kavalek  
 6,101,260 A \* 8/2000 Jensen et al. .... 381/381  
 6,233,344 B1 \* 5/2001 Clegg et al. .... 381/374  
 D443,261 S \* 6/2001 Yuyama ..... D14/223  
 D443,859 S 6/2001 Hogan  
 D457,514 S 5/2002 Marion et al.  
 D459,342 S 6/2002 Marion et al.  
 D460,749 S \* 7/2002 Liu ..... D14/206  
 6,427,018 B1 \* 7/2002 Keliiliki ..... 381/381  
 D463,791 S 10/2002 Nagai et al.  
 D470,129 S 2/2003 Hlas et al.  
 D471,889 S \* 3/2003 Rath et al. .... D14/205  
 D475,996 S 6/2003 Skulley  
 D481,377 S 10/2003 Eguchi  
 D482,348 S 11/2003 Villaverde et al.  
 6,728,388 B1 4/2004 Nageno et al.  
 6,771,790 B2 \* 8/2004 Liu ..... 381/385  
 D501,196 S \* 1/2005 Dyer et al. .... D14/205  
 6,868,284 B2 \* 3/2005 Bae ..... 455/575.2  
 D508,479 S 8/2005 Okada  
 D508,911 S 8/2005 Sanders  
 D510,085 S \* 9/2005 Suzuki ..... D14/223  
 D510,575 S \* 10/2005 Leong ..... D14/223  
 D526,642 S 8/2006 Choe  
 D528,531 S \* 9/2006 Rose et al. .... D14/138 R  
 D529,901 S 10/2006 Ohta  
 D535,642 S 1/2007 Garcia  
 D542,267 S \* 5/2007 Cha et al. .... D14/206  
 D542,282 S 5/2007 Yoshiyama  
 D543,968 S \* 6/2007 Wong ..... D14/205  
 D543,972 S 6/2007 Taylor  
 7,231,056 B2 \* 6/2007 Chen ..... 381/381  
 D550,657 S 9/2007 Gan  
 D554,109 S 10/2007 Ledbetter et al.  
 D556,735 S \* 12/2007 Yeo ..... D14/206  
 D558,735 S 1/2008 Carr et al.  
 D559,837 S 1/2008 Nakano  
 D564,495 S 3/2008 Sasaki  
 D566,104 S 4/2008 Suzuki  
 D569,841 S 5/2008 Chung et al.  
 D574,367 S 8/2008 Jaakkola  
 D575,772 S \* 8/2008 Schultz et al. .... D14/223  
 D576,154 S 9/2008 Ledbetter et al.  
 D578,507 S 10/2008 Ando  
 D579,005 S 10/2008 Wilhelmsen  
 D579,444 S 10/2008 Ewert  
 D582,398 S 12/2008 Nam et al.  
 D584,293 S 1/2009 Kim et al.  
 D585,881 S 2/2009 Nam et al.  
 D587,681 S 3/2009 Yanai  
 D589,493 S 3/2009 Densho  
 D591,264 S 4/2009 Hong et al.  
 D593,075 S \* 5/2009 Williams et al. .... D14/223  
 D594,441 S 6/2009 Lee et al.

7,551,748 B2 6/2009 Kamo et al.  
 D597,084 S \* 7/2009 Gondo ..... D14/223  
 D598,901 S 8/2009 Lee et al.  
 D599,781 S 9/2009 Lee et al.  
 D600,675 S 9/2009 Lee et al.  
 D601,126 S \* 9/2009 Christopher et al. .... D14/206  
 D602,475 S 10/2009 Martin  
 D603,837 S 11/2009 Martin  
 D603,847 S \* 11/2009 Chung ..... D14/223  
 D605,628 S 12/2009 Ando  
 D606,048 S \* 12/2009 Soetejo et al. .... D14/223  
 D607,875 S 1/2010 Pedersen  
 7,648,005 B2 \* 1/2010 Leong et al. .... 181/135  
 D609,698 S 2/2010 Ng  
 7,664,287 B2 2/2010 Neu et al.  
 D613,274 S 4/2010 Lee et al.  
 D614,168 S 4/2010 Rogers et al.  
 7,708,110 B2 \* 5/2010 Leong et al. .... 181/135  
 D617,780 S \* 6/2010 Jaakkola et al. .... D14/223  
 D618,669 S \* 6/2010 Johnson et al. .... D14/223  
 D622,707 S 8/2010 Chen et al.  
 D624,529 S \* 9/2010 Huang ..... D14/223  
 D626,117 S 10/2010 Lowry  
 D627,764 S 11/2010 Tsai et al.  
 7,841,446 B2 \* 11/2010 Leong et al. .... 181/135  
 D628,555 S 12/2010 Ponzio et al.  
 D630,179 S 1/2011 Park et al.  
 D631,037 S 1/2011 Park et al.  
 D631,470 S \* 1/2011 Yoneyama et al. .... D14/223  
 D634,305 S 3/2011 Hoggarth  
 D635,960 S \* 4/2011 Gondo et al. .... D14/223  
 D636,763 S 4/2011 Walter et al.  
 D637,182 S 5/2011 Lee et al.  
 D637,998 S 5/2011 Brunner et al.  
 D637,999 S 5/2011 Brunner et al.  
 D641,008 S 7/2011 Lee et al.  
 D641,010 S 7/2011 Kwon  
 D641,736 S 7/2011 Brunner et al.  
 D642,163 S 7/2011 Lee et al.  
 D643,414 S 8/2011 Lee et al.  
 D643,416 S 8/2011 Chong et al.  
 D643,417 S 8/2011 Lee et al.  
 D643,418 S 8/2011 Lee et al.  
 8,068,633 B2 11/2011 Lee et al.  
 D652,817 S 1/2012 Lee et al.  
 D652,822 S 1/2012 Lee et al.  
 8,090,135 B2 \* 1/2012 Lin ..... 381/381  
 8,265,328 B2 \* 9/2012 Milde et al. .... 381/381  
 D678,251 S 3/2013 Cantoni et al.  
 D686,196 S \* 7/2013 Lee et al. .... D14/223  
 D695,275 S \* 12/2013 Chee ..... D14/223  
 D699,213 S \* 2/2014 Burgett et al. .... D14/205  
 D707,652 S 6/2014 Brunner et al.  
 D710,333 S \* 8/2014 Davies et al. .... D14/223  
 D712,382 S \* 9/2014 Brunner et al. .... D14/223  
 D713,385 S \* 9/2014 Burgett et al. .... D14/223  
 D713,822 S \* 9/2014 Paradise et al. .... D14/223  
 D716,770 S 11/2014 Bonahoom et al.  
 D725,637 S \* 3/2015 Nakajima ..... D14/223  
 2009/0285434 A1 \* 11/2009 Williams et al. .... 381/375  
 2011/0051979 A1 3/2011 Lee et al.  
 2013/0216087 A1 \* 8/2013 MacDonald ..... 381/381

OTHER PUBLICATIONS

U.S. Appl. No. 29/365,975, filed Jul. 16, 2010 (Inventors: Noel Lee et al.).

\* cited by examiner

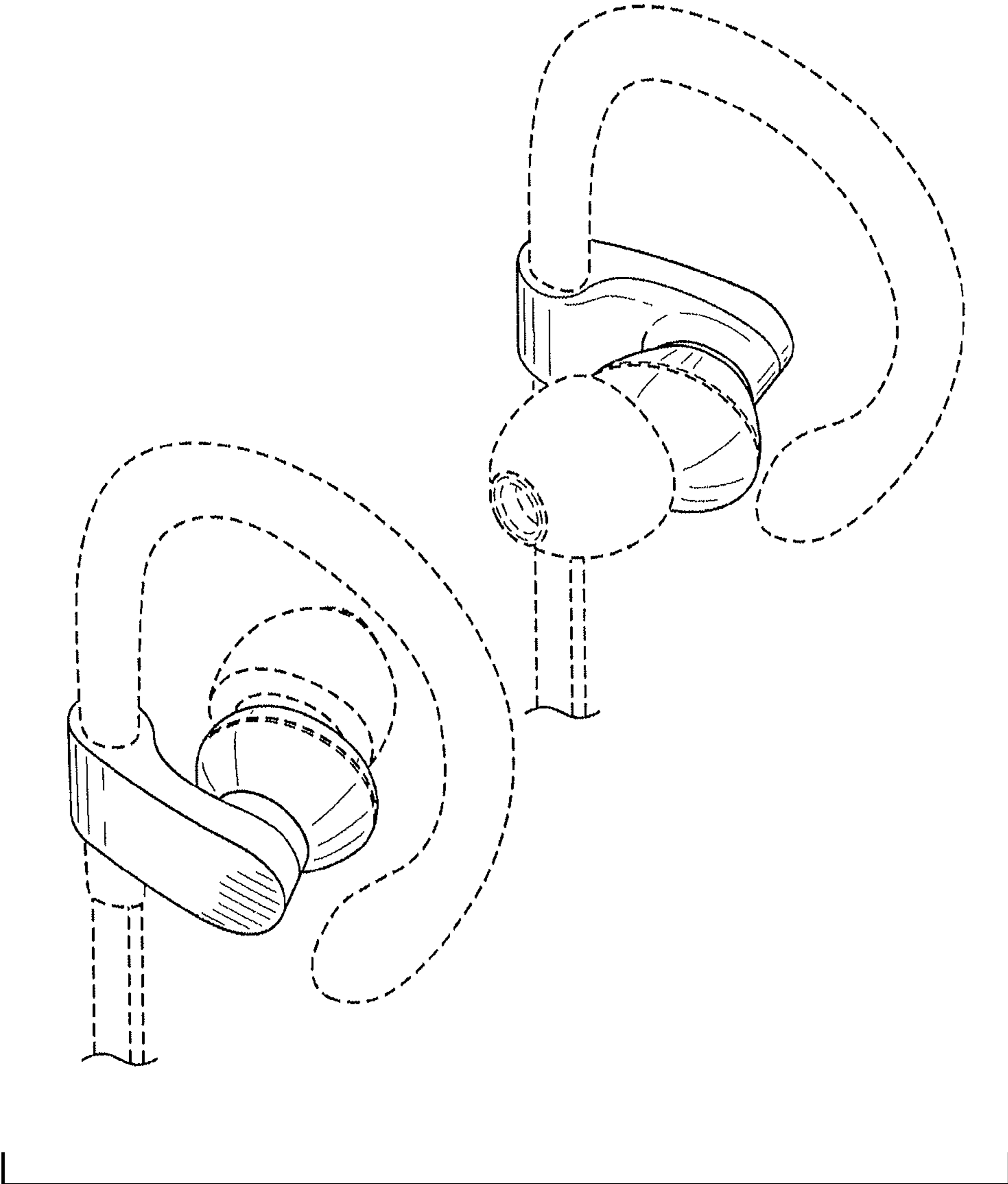


FIG. 1

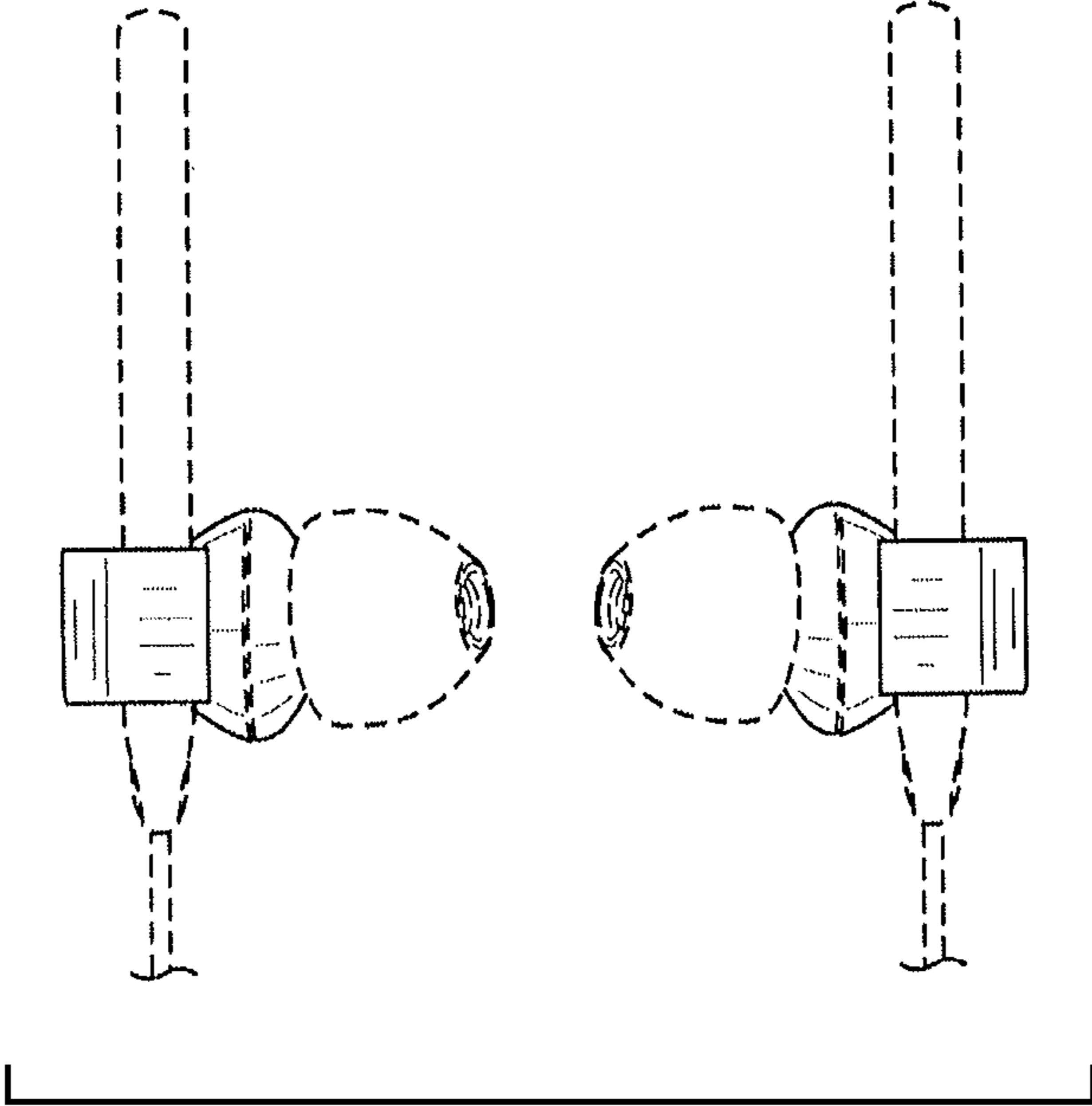


FIG. 2

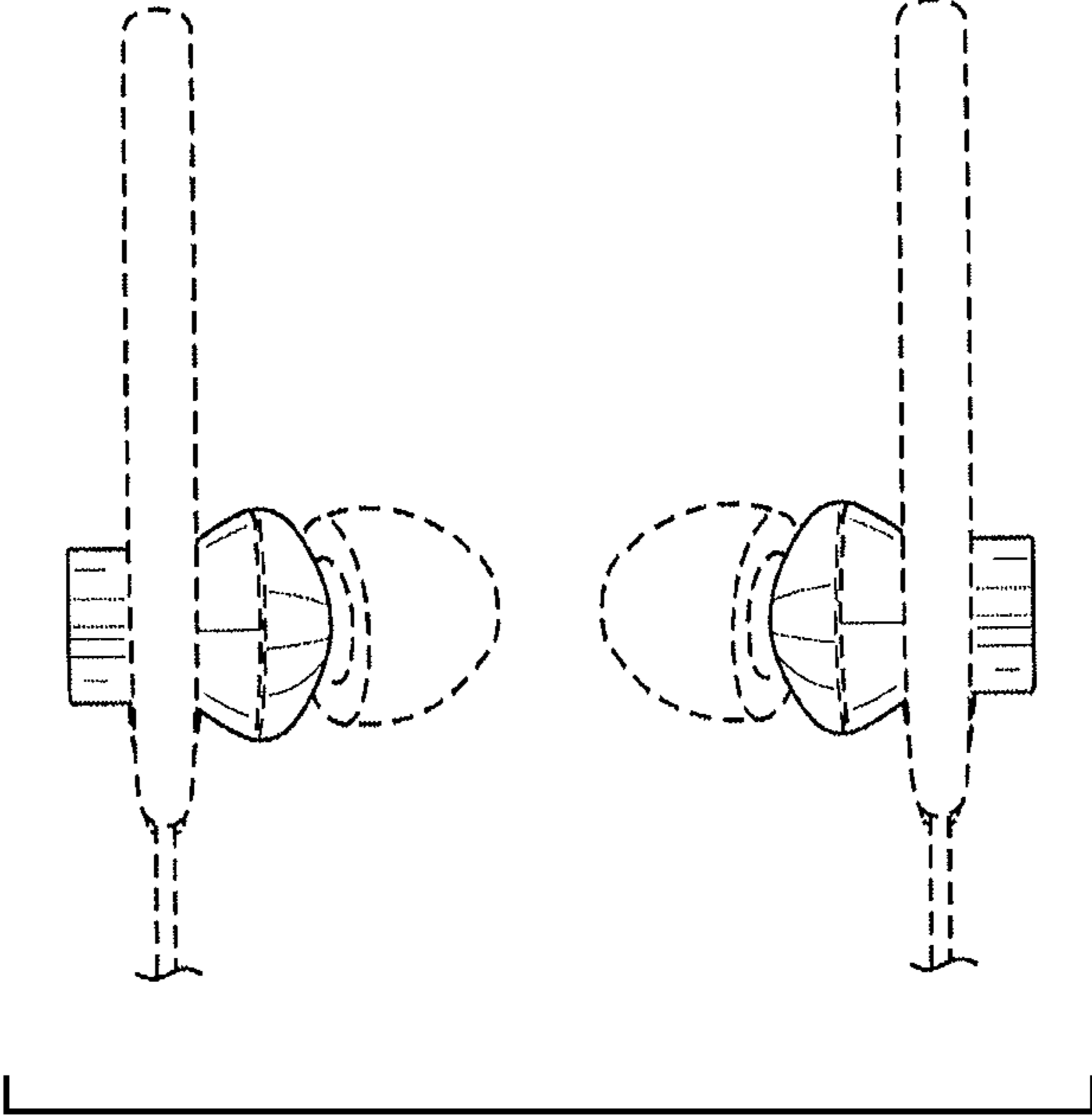
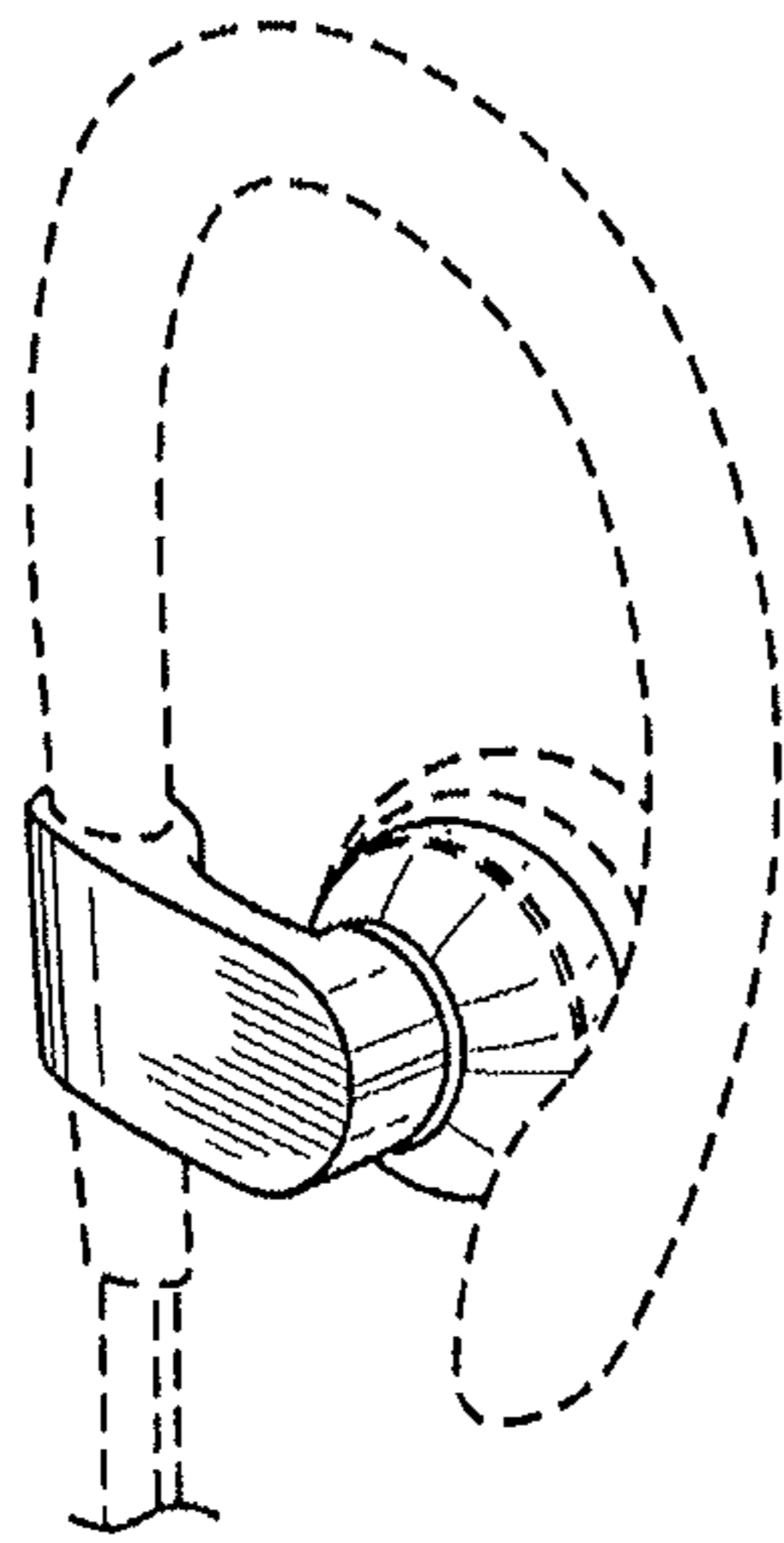
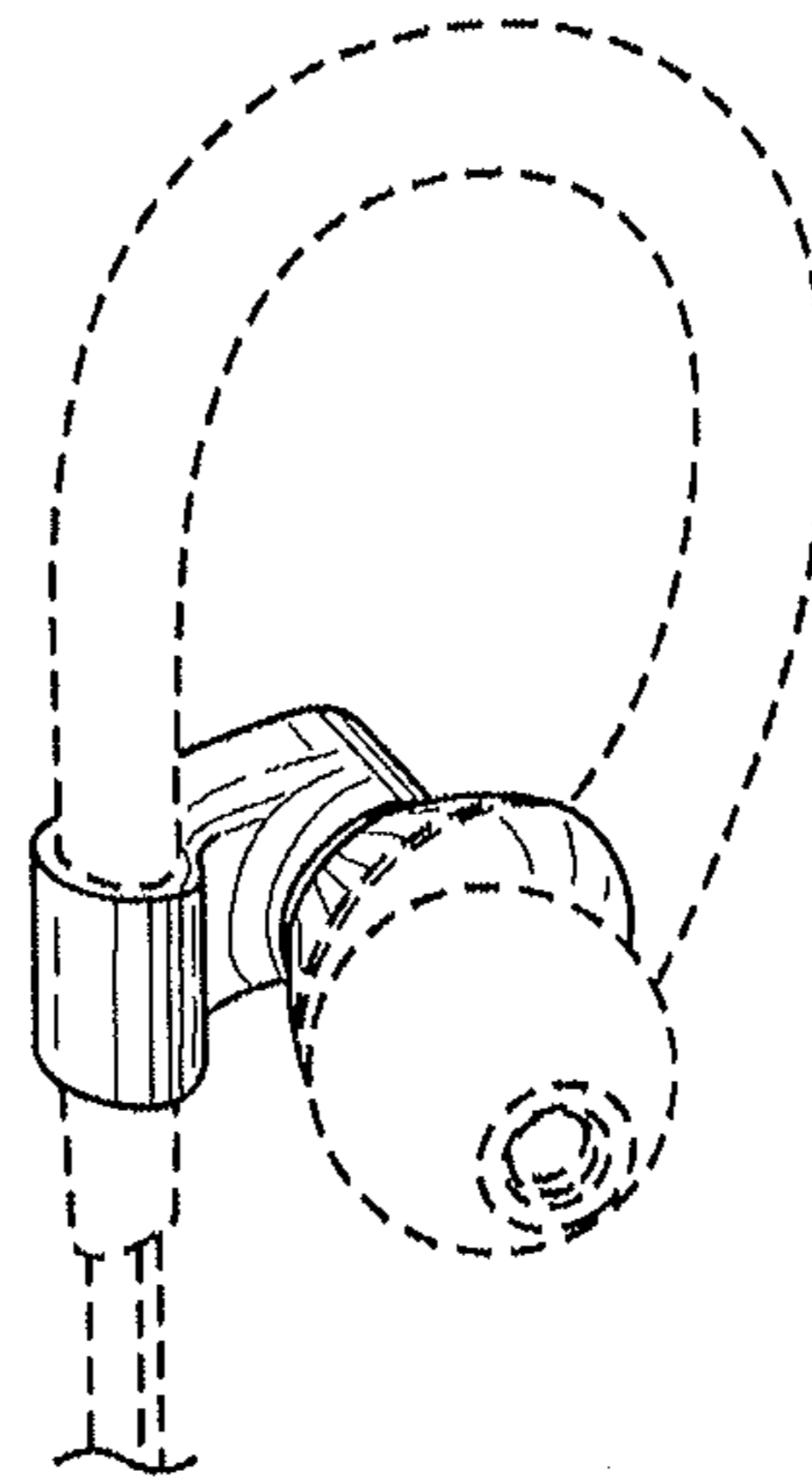


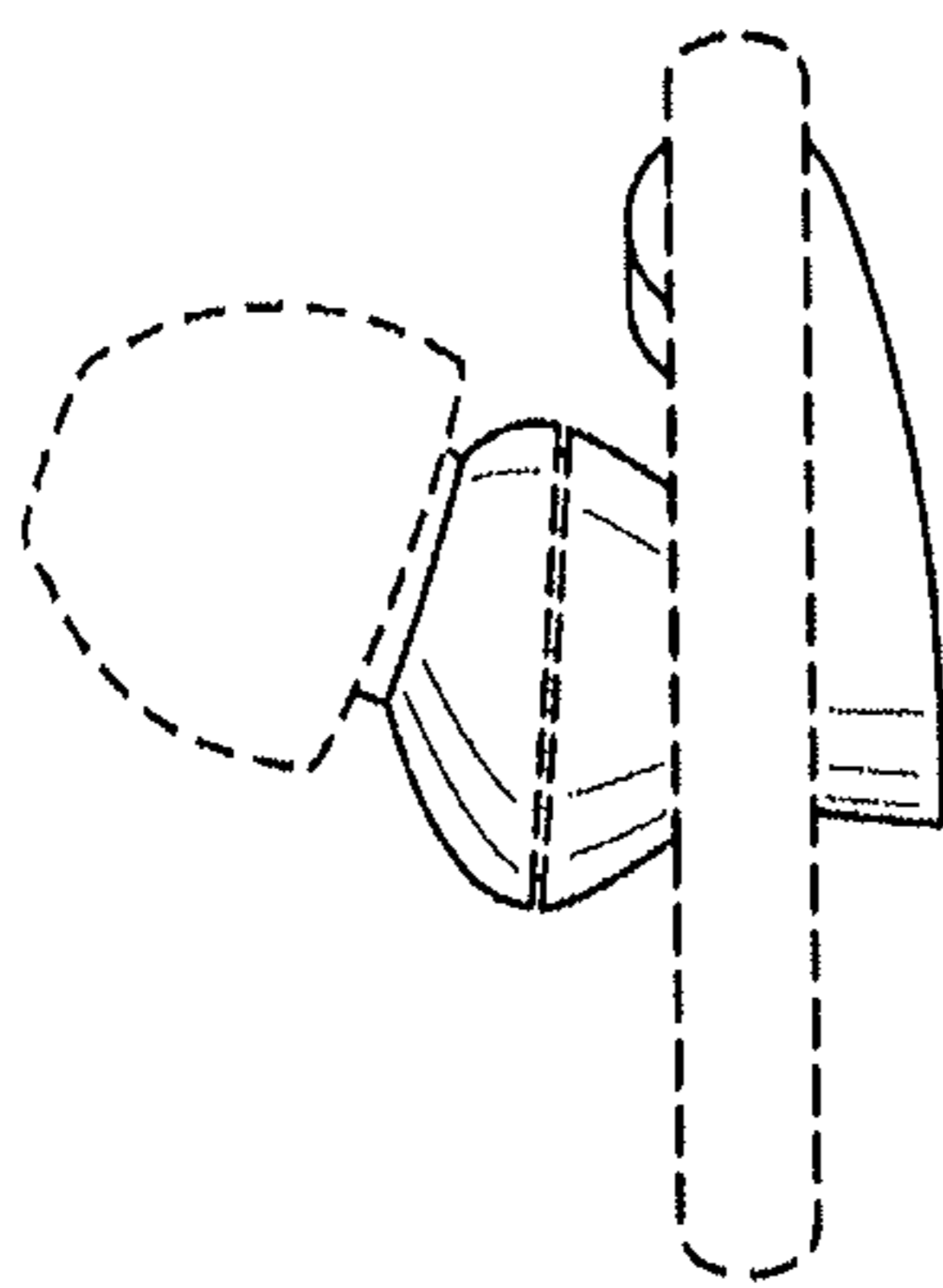
FIG. 3



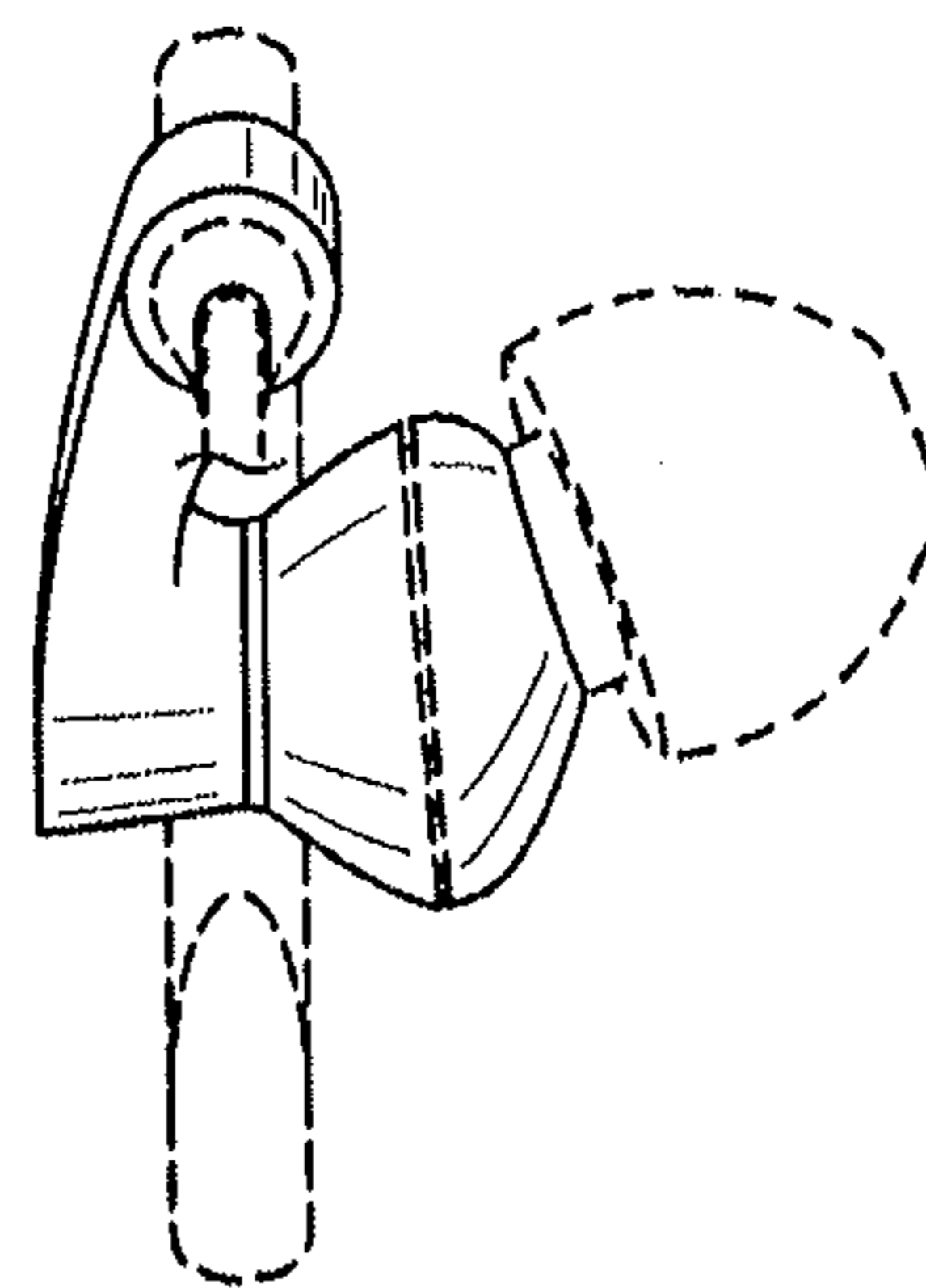
**FIG. 4**



**FIG. 5**



**FIG. 6**



**FIG. 7**

UNITED STATES PATENT AND TRADEMARK OFFICE  
**CERTIFICATE OF CORRECTION**

PATENT NO. : D740,260 S  
APPLICATION NO. : 29/501037  
DATED : October 6, 2015  
INVENTOR(S) : Brunner et al.

Page 1 of 1

It is certified that error appears in the above-identified patent and that said Letters Patent is hereby corrected as shown below:

TITLE PAGE:

Item 63 in the Related U.S. Application Data section, replace “Continuation of application No. 29/441,334” with --Division of application No. 29/441,334--.

Signed and Sealed this  
Eighteenth Day of October, 2016



Michelle K. Lee  
*Director of the United States Patent and Trademark Office*