



US00D740256S

(12) **United States Design Patent**
Carr

(10) **Patent No.:** **US D740,256 S**
(45) **Date of Patent:** **** Oct. 6, 2015**

(54) **HEADSET**

(71) Applicant: **Bose Corporation**, Framingham, MA (US)

(72) Inventor: **Adam A. Carr**, Southborough, MA (US)

(73) Assignee: **Bose Corporation**, Framingham, MA (US)

(**) Term: **14 Years**

(21) Appl. No.: **29/496,683**

(22) Filed: **Jul. 16, 2014**

(51) **LOC (10) Cl.** **14-01**

(52) **U.S. Cl.**
USPC **D14/206**

(58) **Field of Classification Search**
USPC D14/205, 225, 206; 181/129, 130, 135;
379/430, 431; 381/380, 381, 372, 374;
455/90.3, 575.1
CPC H04R 25/00; H04R 1/1066
See application file for complete search history.

(56) **References Cited**

U.S. PATENT DOCUMENTS

3,104,398	A *	9/1963	Palmaer	2/209
3,128,352	A *	4/1964	Cagen	379/430
D254,183	S *	2/1980	Doodson	D14/205
D254,616	S *	4/1980	Tabata	D14/205
D255,352	S *	6/1980	Besasio	D14/205
D299,337	S *	1/1989	Wiegel	D14/206
4,987,592	A *	1/1991	Flagg	379/430
D322,071	S *	12/1991	Bergin et al.	D14/206
5,138,722	A *	8/1992	Urella et al.	2/209
5,574,795	A *	11/1996	Seki	381/370
6,295,366	B1 *	9/2001	Haller et al.	381/374
6,654,966	B2 *	12/2003	Rolla	2/209
D491,163	S *	6/2004	Green	D14/205
7,031,475	B2 *	4/2006	Kuraoka et al.	381/74
7,114,832	B2 *	10/2006	Holder et al.	362/308
D538,261	S *	3/2007	Taylor et al.	D14/205
D541,255	S *	4/2007	Taylor et al.	D14/205
D549,688	S *	8/2007	Suzuki	D14/205

D566,688	S *	4/2008	Wang	D14/206
D567,220	S *	4/2008	Wang	D14/206
7,388,960	B2 *	6/2008	Kuo et al.	381/186
D573,581	S *	7/2008	Gondo et al.	D14/205
D584,715	S *	1/2009	Brennwald	D14/205
D591,263	S *	4/2009	Shimizu	D14/205
D592,639	S *	5/2009	Kuh et al.	D14/205
D594,847	S *	6/2009	Suzuki	D14/205
D600,674	S *	9/2009	Brennwald	D14/205
D603,370	S *	11/2009	Suzuki	D14/205
D641,727	S	7/2011	Krauss et al.	
D706,244	S *	6/2014	Goransson	D14/225
D713,375	S *	9/2014	Dedinas et al.	D14/206
D713,376	S *	9/2014	Dedinas et al.	D14/206
D716,762	S *	11/2014	Greve	D14/206

OTHER PUBLICATIONS

Unpublished U.S. Appl. No. 29/475,707, filed Dec. 5, 2013.

* cited by examiner

Primary Examiner — Paula Greene

(57) **CLAIM**

The ornamental design for headset, substantially as shown and described.

DESCRIPTION

FIG. 1 is a perspective view of a headset having two ear cups as seen from the front and left side, the cord is drawn broken away for indeterminate length;
FIG. 2 is a perspective view thereof as seen from the front and right side
FIG. 3 is a front view thereof;
FIG. 4 is a back view thereof;
FIG. 5 is a top view thereof;
FIG. 6 is a bottom view thereof;
FIG. 7 is a left side view thereof; and,
FIG. 8 is a right side view thereof.
FIGS. 1-8 show a headset with one ear cup and a boom microphone on the right. The dotted line portions of the drawings represent environmental structure only and do not form part of the claimed design.

1 Claim, 8 Drawing Sheets

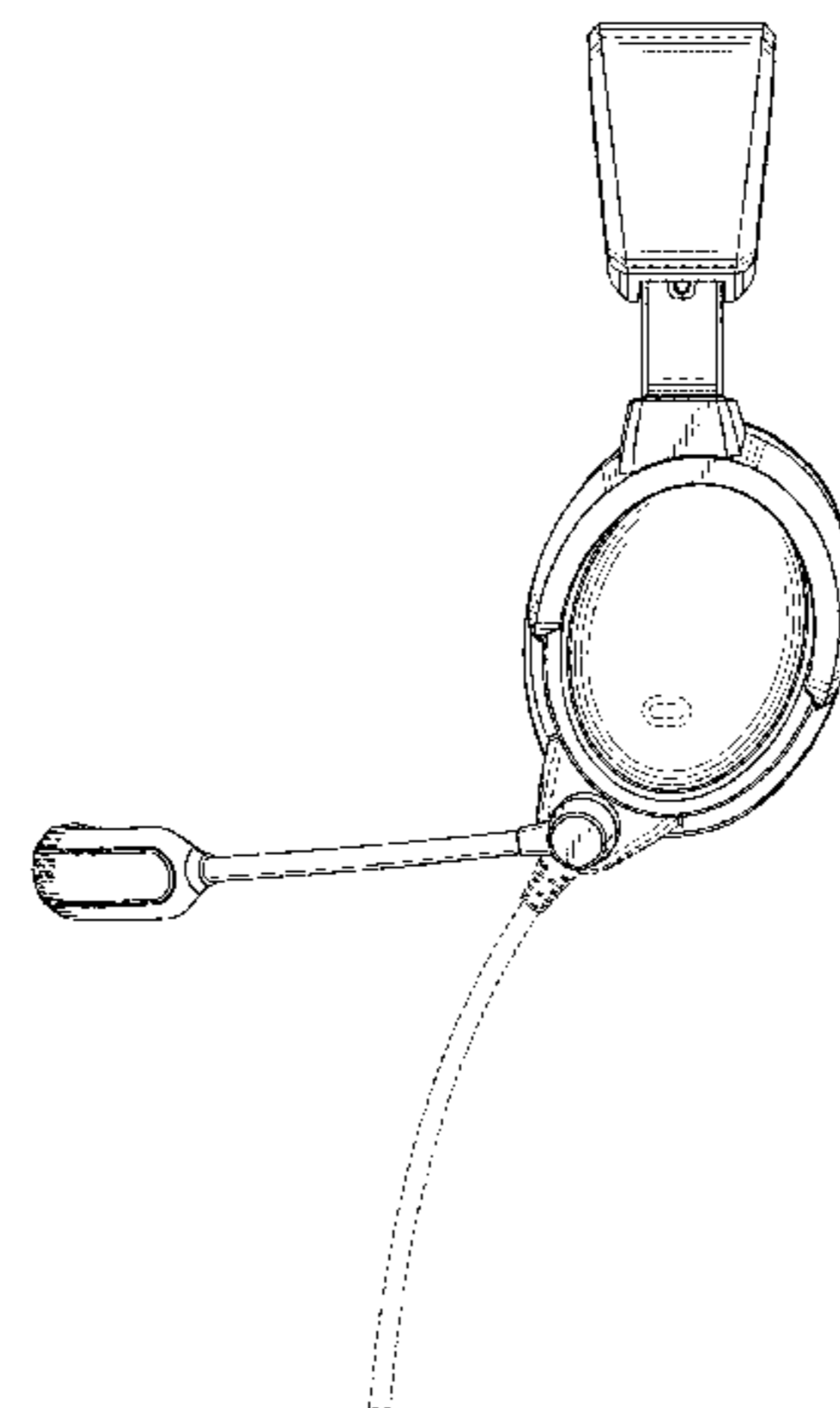
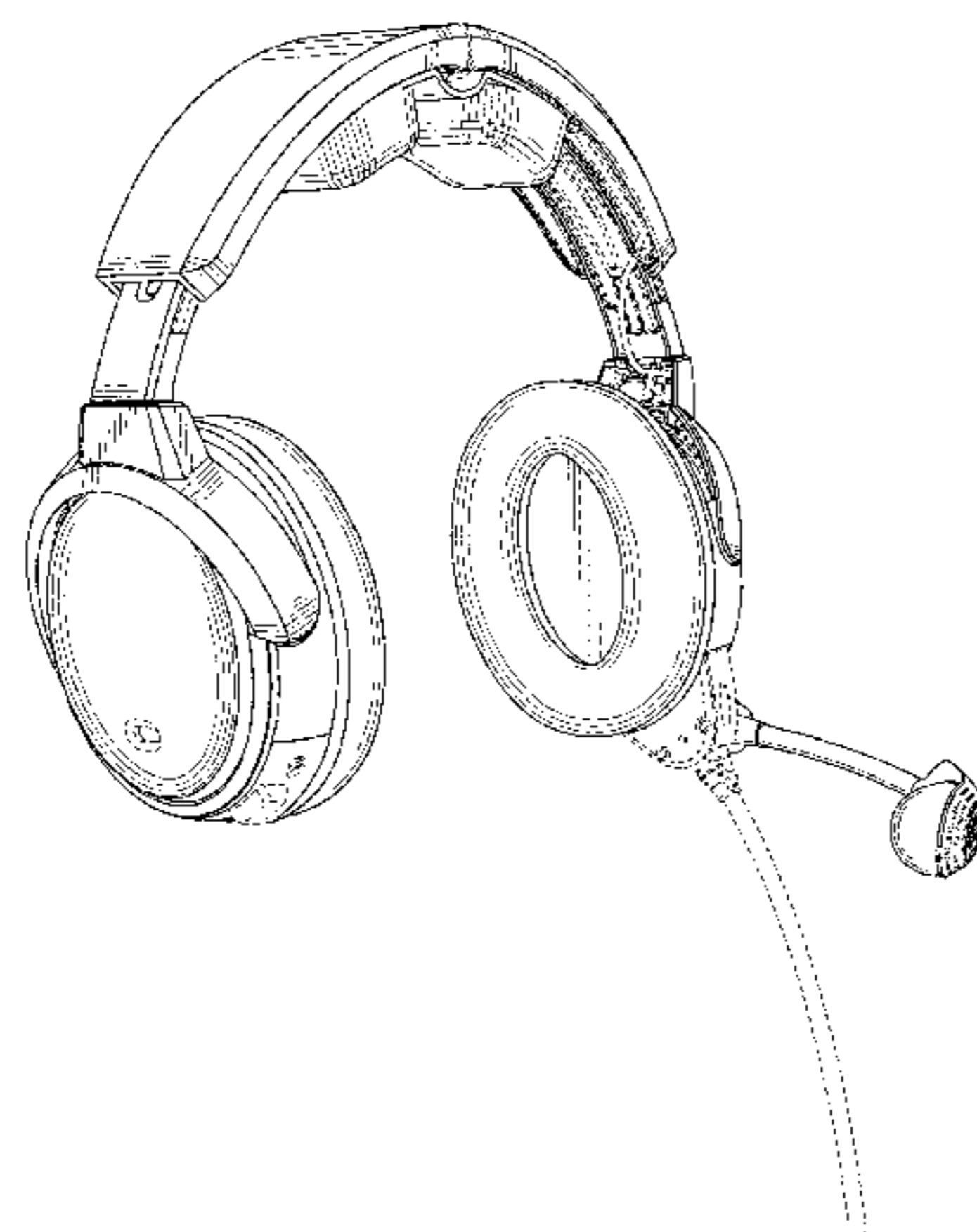




FIG. 1

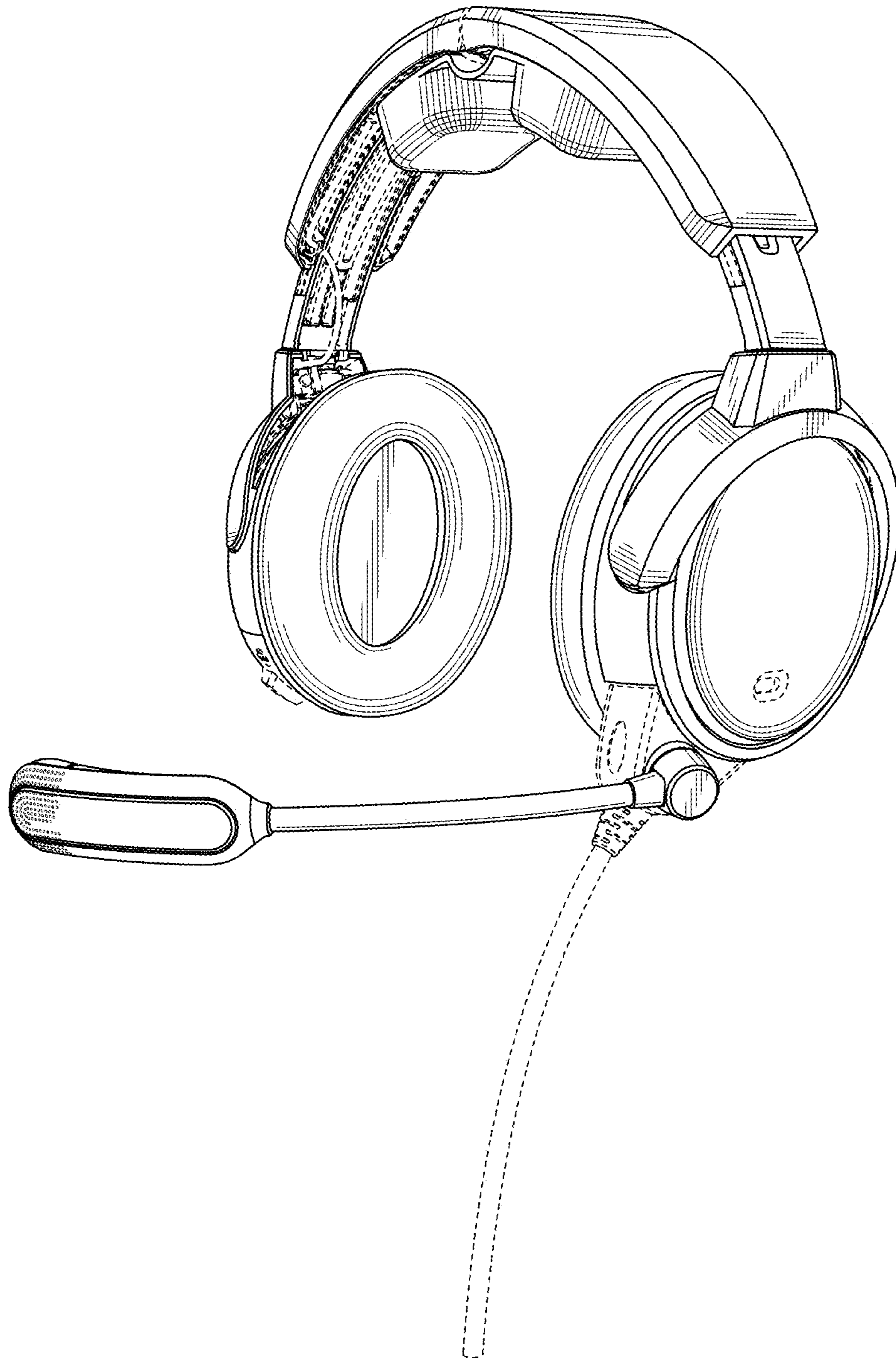


FIG. 2



FIG. 3

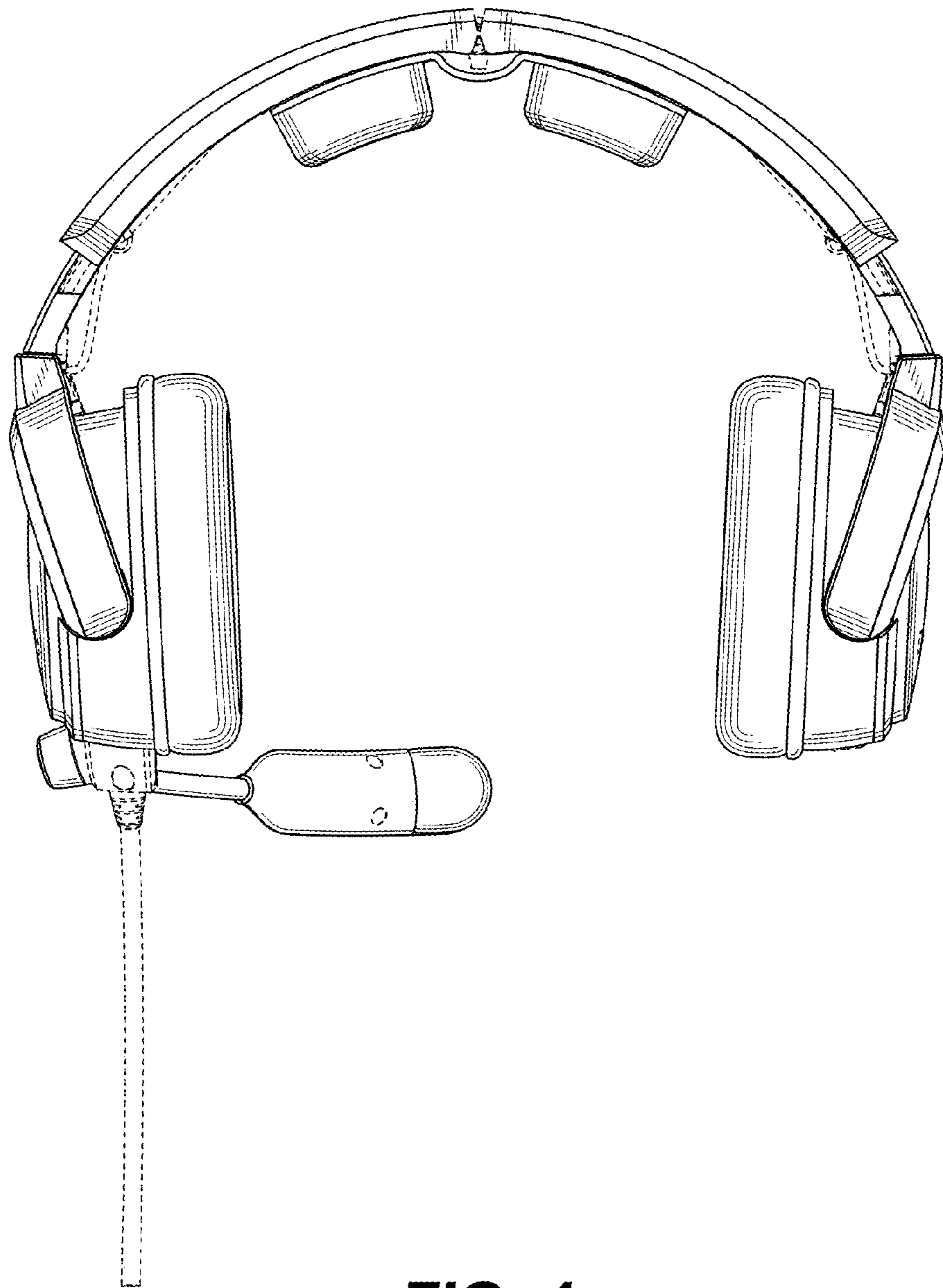


FIG. 4

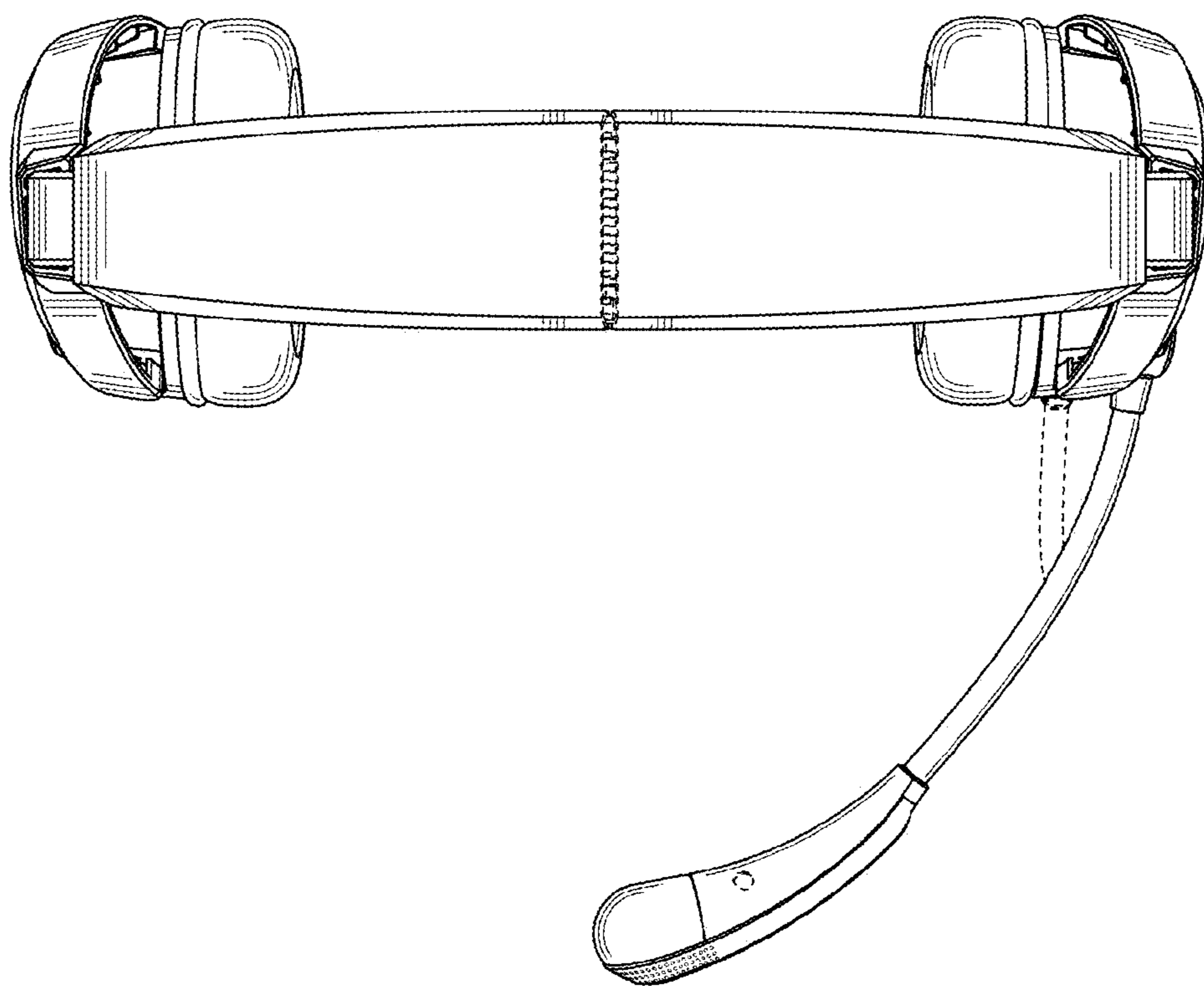


FIG. 5

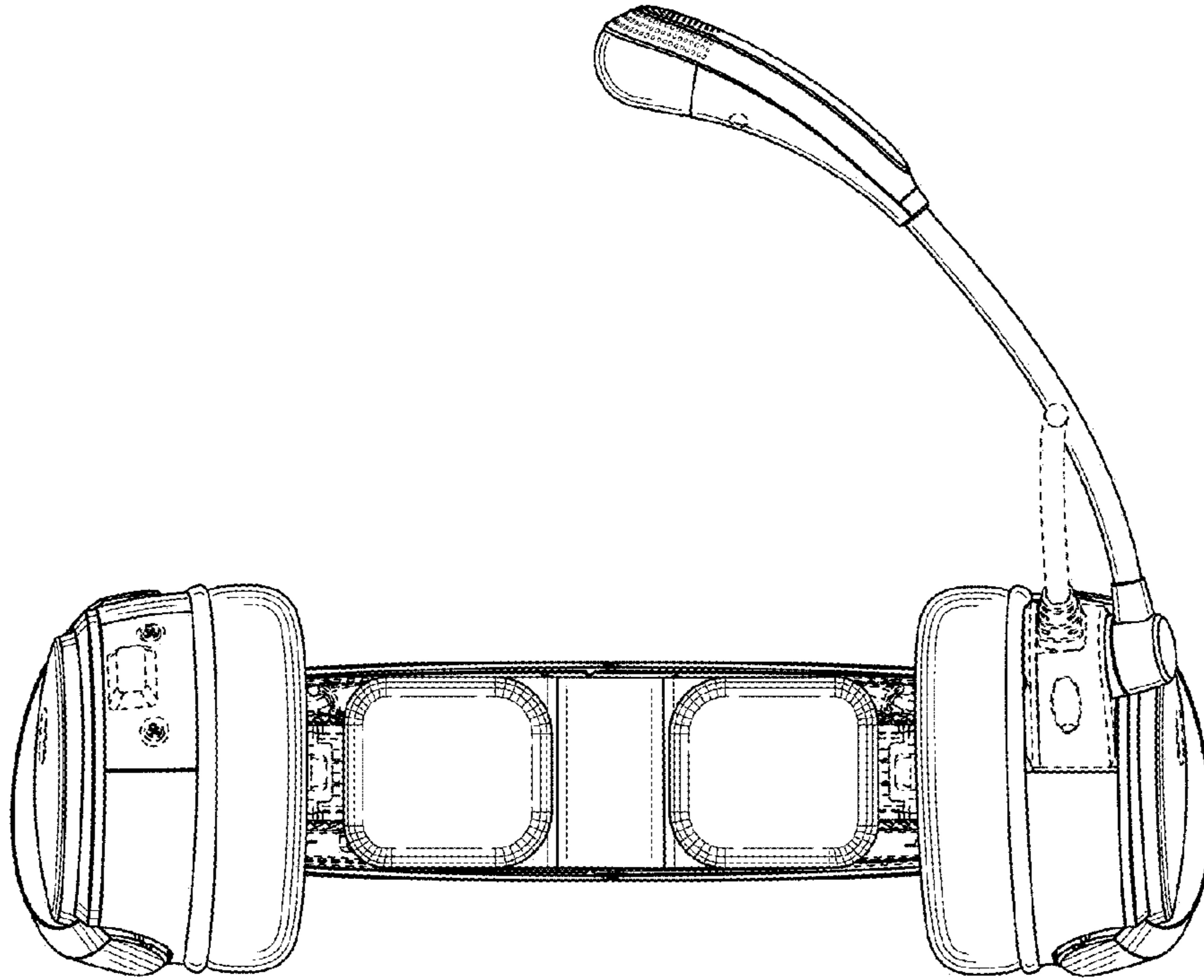


FIG. 6

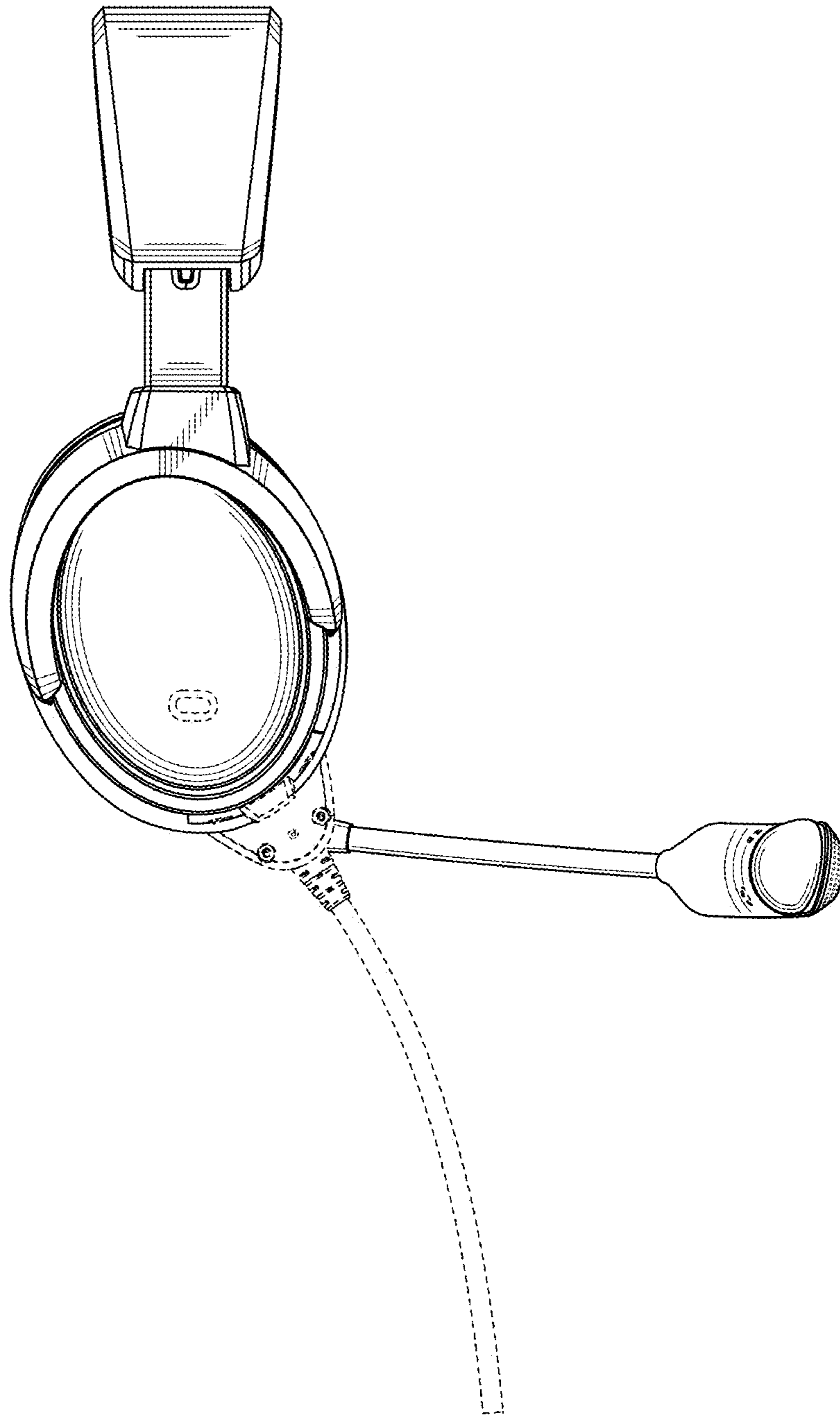


FIG. 7

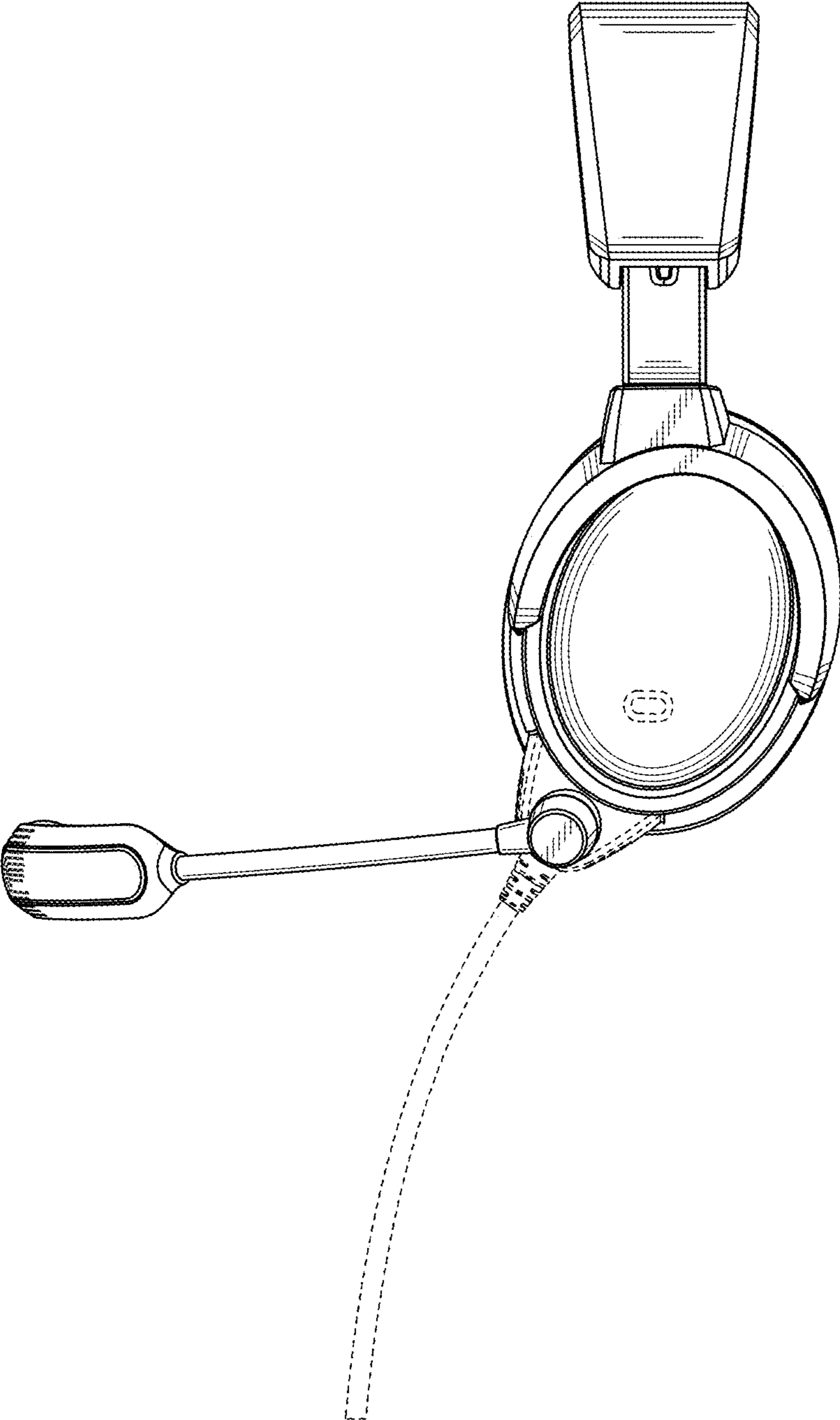


FIG. 8