



US00D740255S

(12) **United States Design Patent**  
**Samrelius**

(10) **Patent No.:** **US D740,255 S**

(45) **Date of Patent:** **\*\* Oct. 6, 2015**

(54) **EARPHONE**

(71) Applicant: **GN Netcom A/S, Ballerup (DK)**

(72) Inventor: **Jonas Samrelius, Stockholm (SE)**

(73) Assignee: **GN Netcom A/S (DK)**

(\*\*) Term: **14 Years**

(21) Appl. No.: **29/490,071**

(22) Filed: **May 6, 2014**

(30) **Foreign Application Priority Data**

Nov. 13, 2013	(EM)	002344499-0001
Nov. 13, 2013	(EM)	002344499-0002
Nov. 13, 2013	(EM)	002344499-0003
Nov. 13, 2013	(EM)	002344499-0004
Nov. 13, 2013	(EM)	002344499-0005

(51) **LOC (10) Cl.** ..... **14-01**

(52) **U.S. Cl.**  
USPC ..... **D14/206; D14/223**

(58) **Field of Classification Search**  
USPC ..... D14/223, 205, 206; 181/129, 130, 135;  
379/430, 431; 381/380, 381; 455/90.3,  
455/575.1  
CPC ..... H04R 1/10  
See application file for complete search history.

(56) **References Cited**

**U.S. PATENT DOCUMENTS**

2,248,837	A *	7/1941	Walters	381/380
2,474,135	A *	6/1949	White	381/381
5,613,222	A *	3/1997	Guenther	455/575.2
5,748,743	A *	5/1998	Weeks	381/328
5,787,166	A *	7/1998	Ullman	379/430
6,122,388	A *	9/2000	Feldman	381/322
6,359,995	B1 *	3/2002	Ou	381/381
D461,791	S *	8/2002	Ma	D14/206
D462,943	S *	9/2002	Lucaci et al.	D14/206
D469,755	S *	2/2003	Hlas et al.	D14/223
D470,122	S *	2/2003	Hlas et al.	D14/205
D470,123	S *	2/2003	Hlas et al.	D14/205

D470,129	S *	2/2003	Hlas et al.	D14/223
6,688,421	B2 *	2/2004	Dyer et al.	181/130
D510,085	S *	9/2005	Suzuki	D14/223
D514,094	S *	1/2006	Griffin	D14/223
7,110,535	B2 *	9/2006	Bodley et al.	379/430
D543,968	S *	6/2007	Wong	D14/205
D584,284	S *	1/2009	Carr et al.	D14/206
7,620,173	B1 *	11/2009	Wilson	379/430
7,708,110	B2 *	5/2010	Leong et al.	181/135
D618,219	S *	6/2010	Burgett et al.	D14/223
7,949,127	B2 *	5/2011	Pedersen et al.	379/430
D641,008	S *	7/2011	Lee et al.	D14/223
7,986,803	B1 *	7/2011	DeKalb	381/380
8,776,801	B2 *	7/2014	McIntosh	128/864
D712,884	S *	9/2014	Krauss et al.	D14/223
2002/0021800	A1 *	2/2002	Bodley et al.	379/430

\* cited by examiner

*Primary Examiner* — Paula Greene

(74) *Attorney, Agent, or Firm* — Altera Law Group, LLC

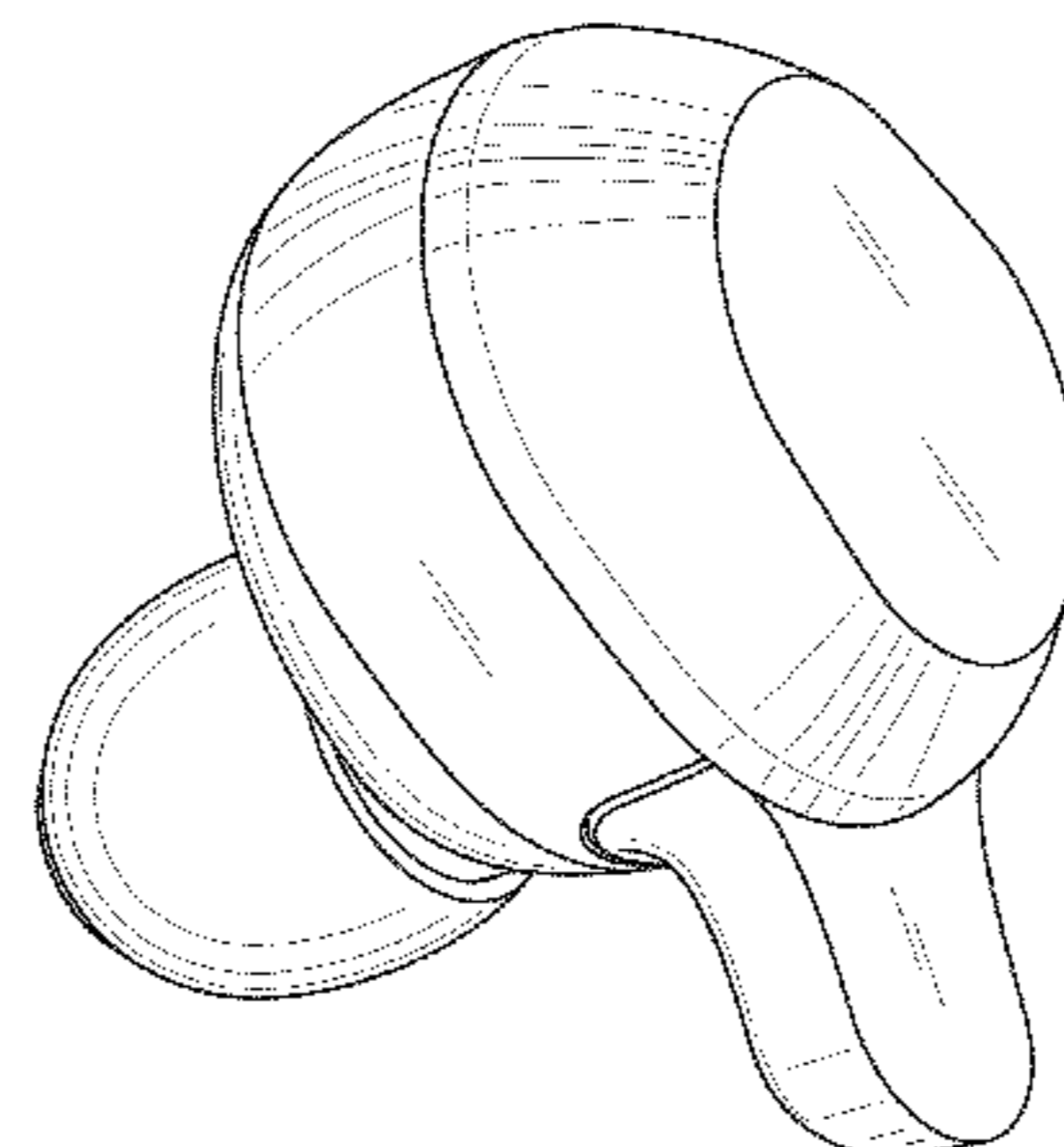
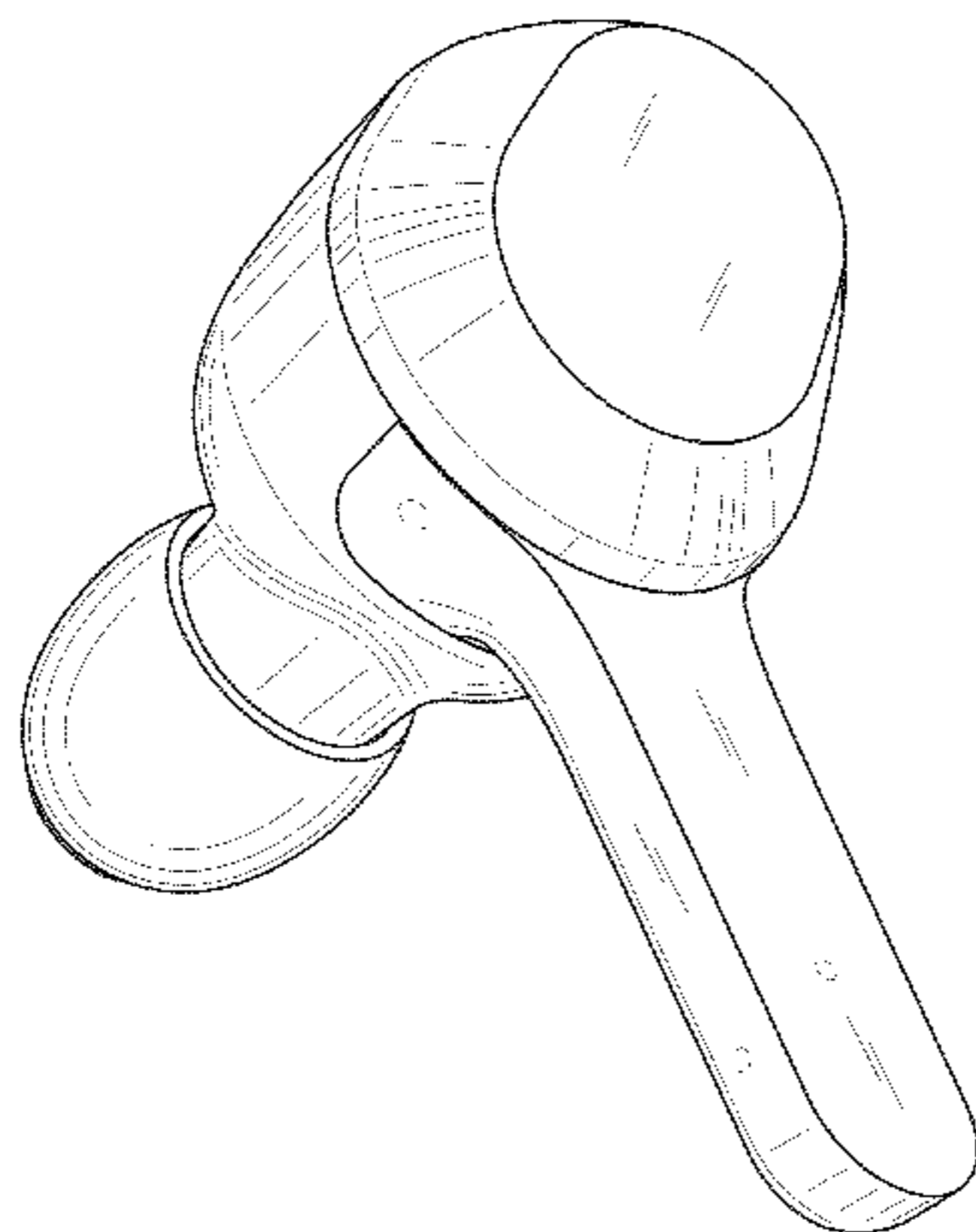
(57) **CLAIM**

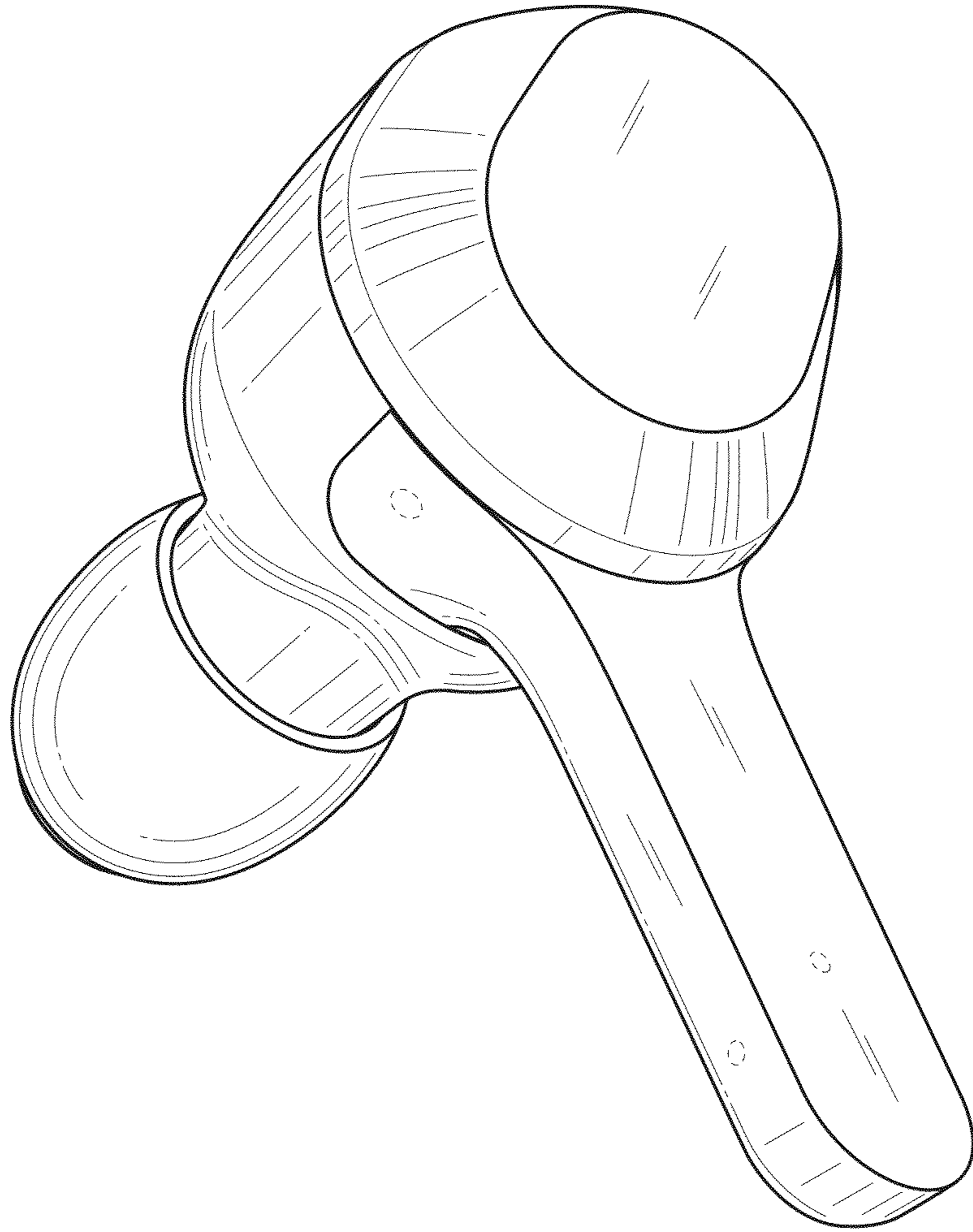
The ornamental design for an earphone, as shown and described.

**DESCRIPTION**

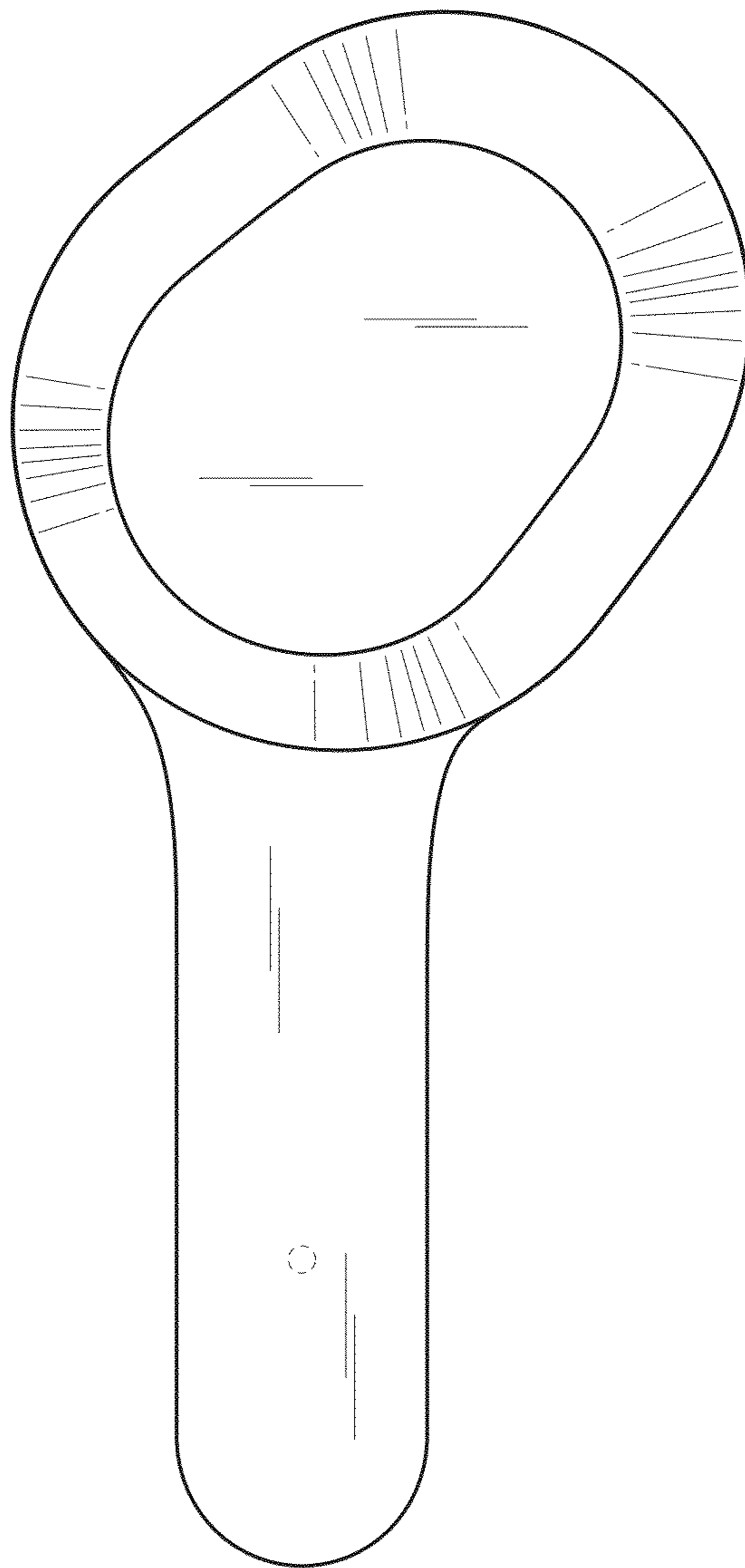
FIG. 1 is a rear perspective view of an earphone thereof.  
 FIG. 2 is a back elevational view thereof.  
 FIG. 3 is a front elevational view thereof.  
 FIG. 4 is a left side elevation view thereof.  
 FIG. 5 is a right side elevational view thereof.  
 FIG. 6 is a top end elevational view thereof.  
 FIG. 7 is a bottom end elevational view thereof.  
 FIG. 8 is a rear perspective view of another embodiment thereof.  
 FIG. 9 is a back elevational view thereof.  
 FIG. 10 is a front elevational view thereof.  
 FIG. 11 is a left side elevation view thereof.  
 FIG. 12 is a right side elevational view thereof.  
 FIG. 13 is a top end elevational view thereof; and,  
 FIG. 14 is a bottom end elevational view thereof.  
 Portions shown in broken lines are for environmental purposes but do constitute a part of the claimed invention.

**1 Claim, 10 Drawing Sheets**

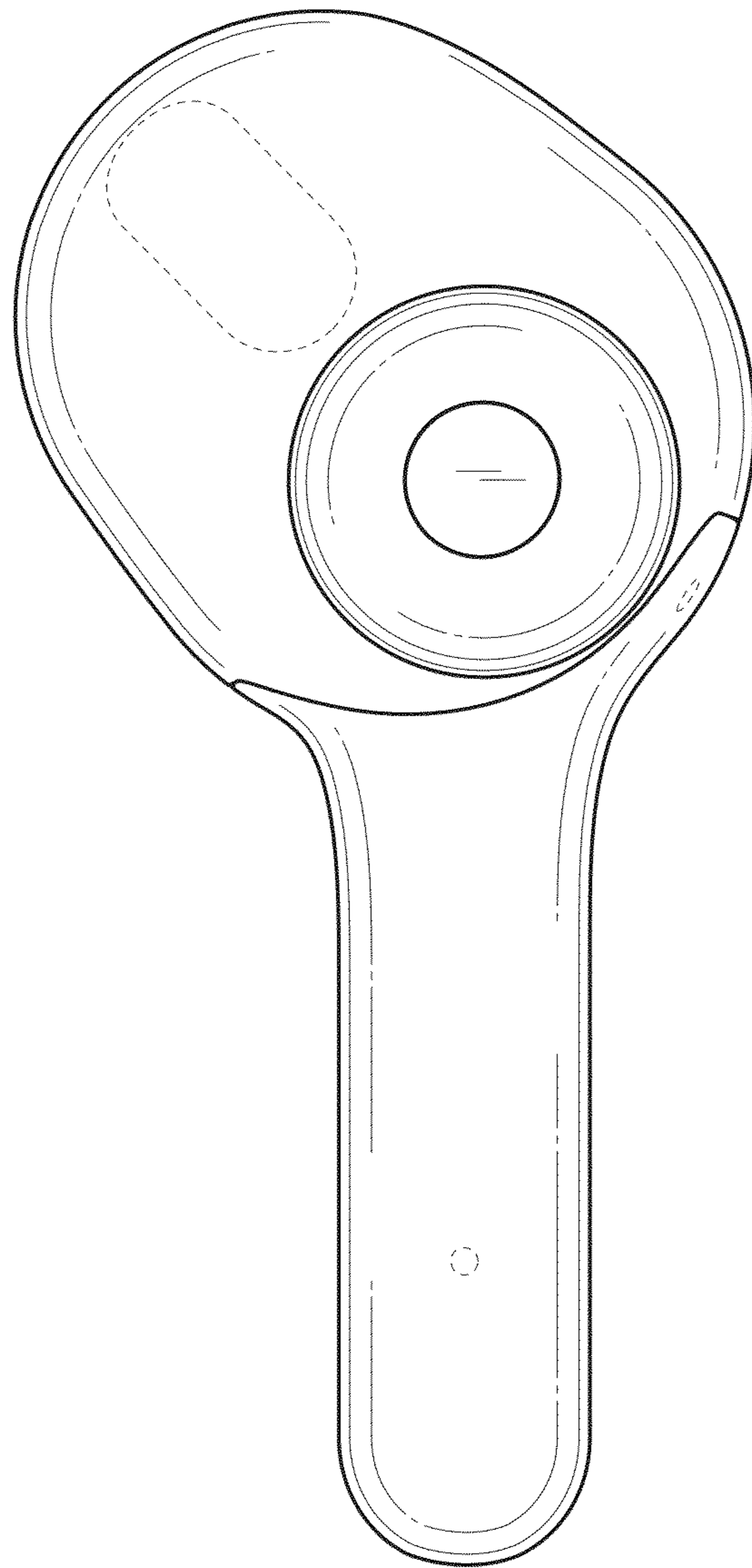




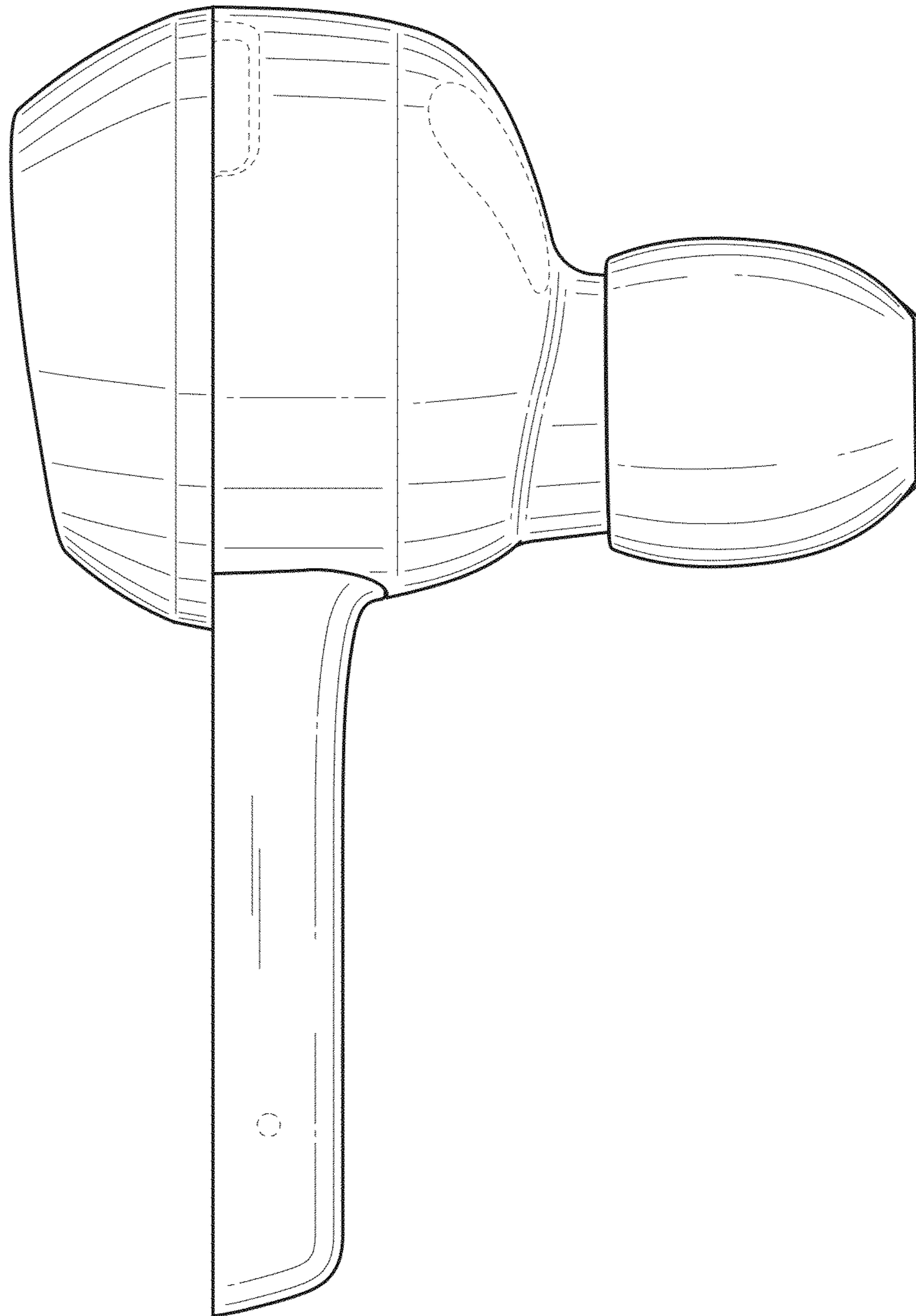
**Fig. 1**



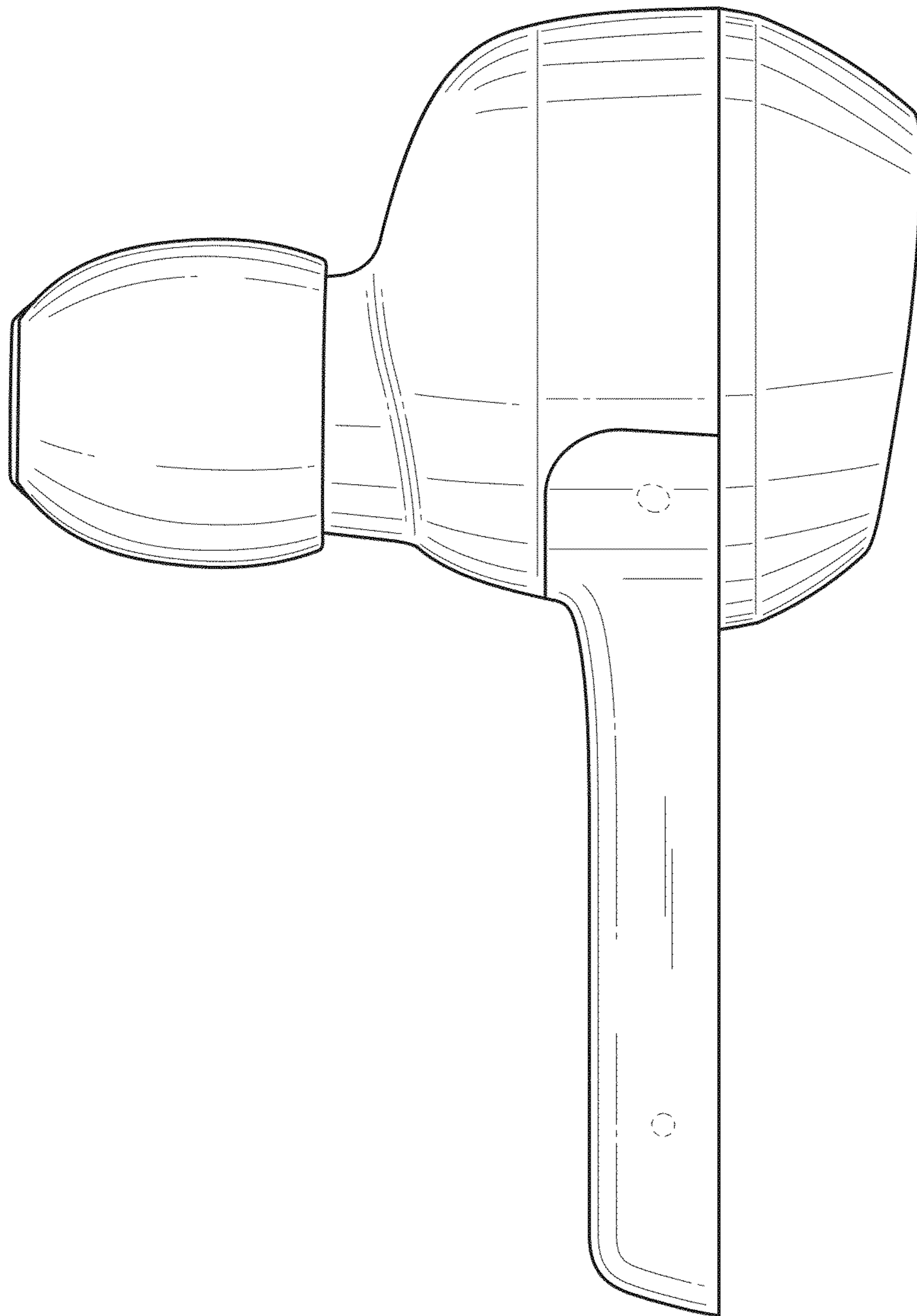
**Fig. 2**



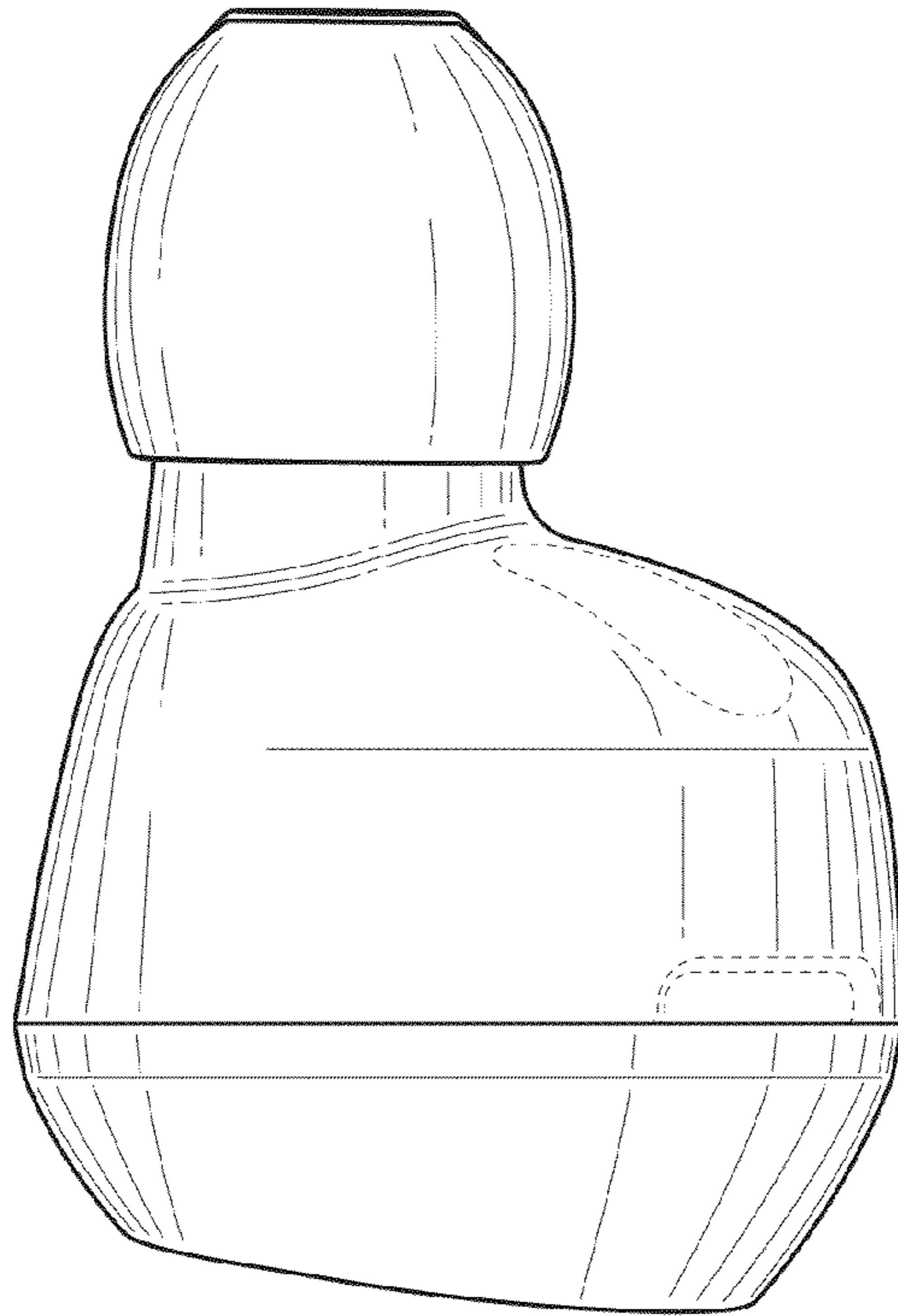
**Fig. 3**



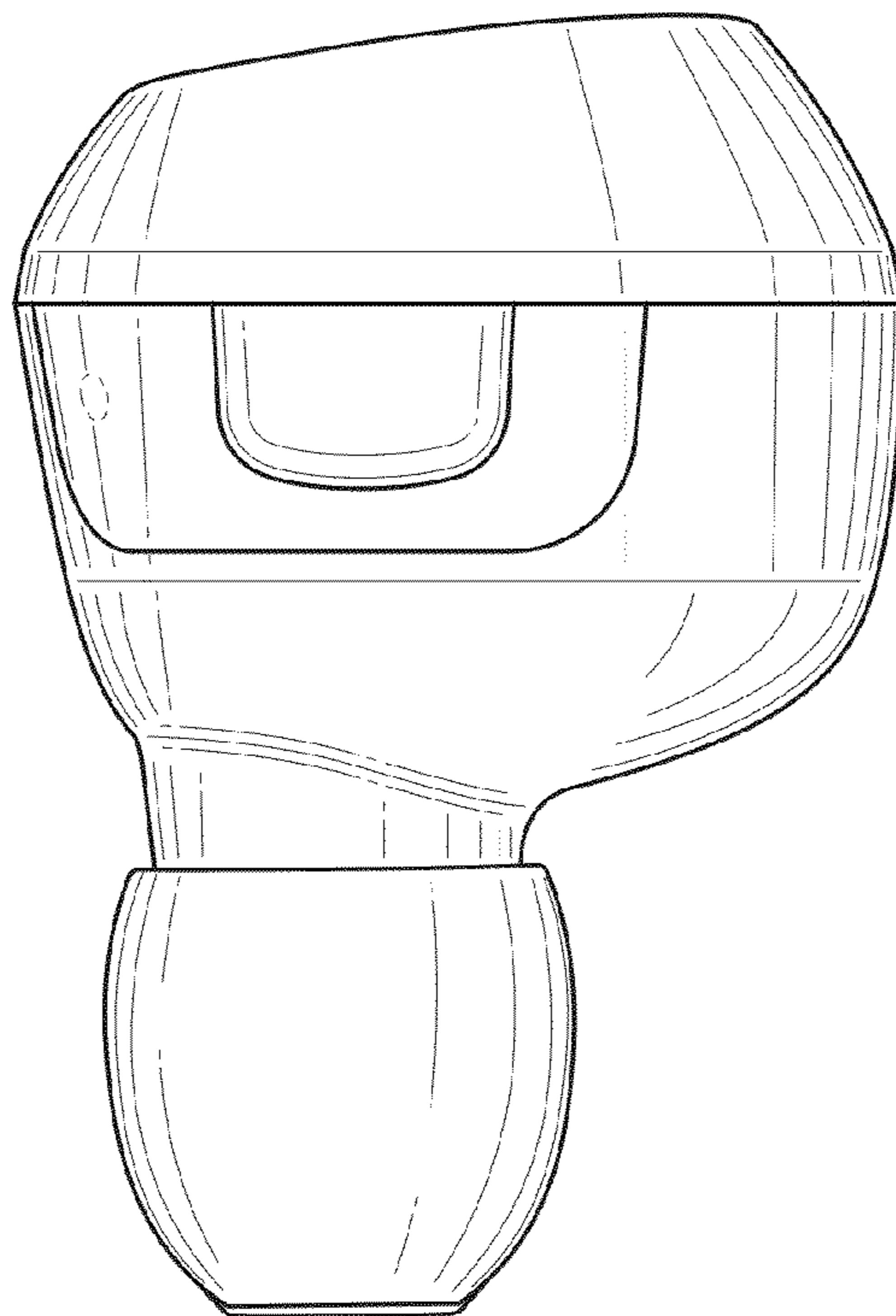
**Fig. 4**



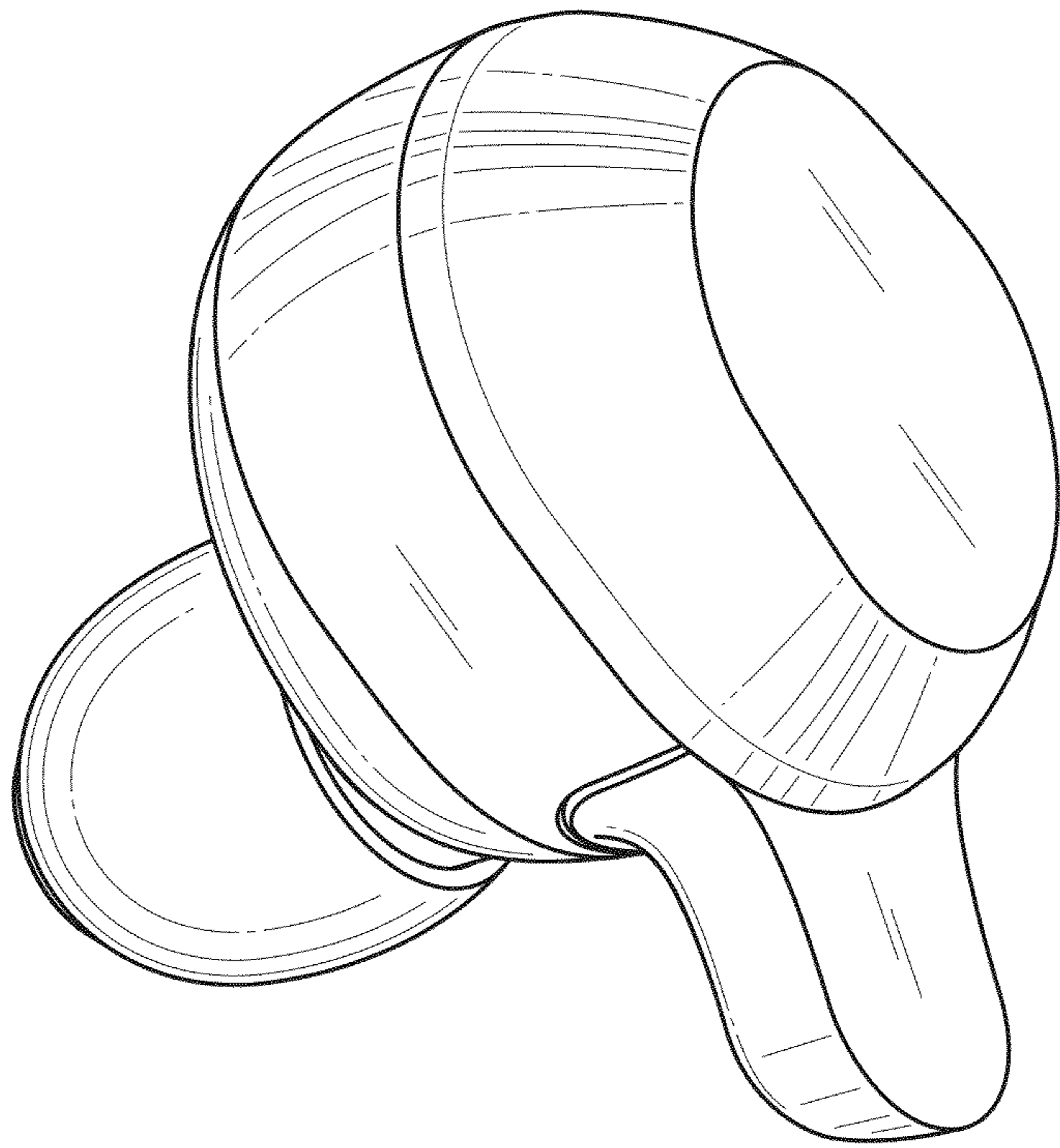
**Fig. 5**



**Fig. 6**

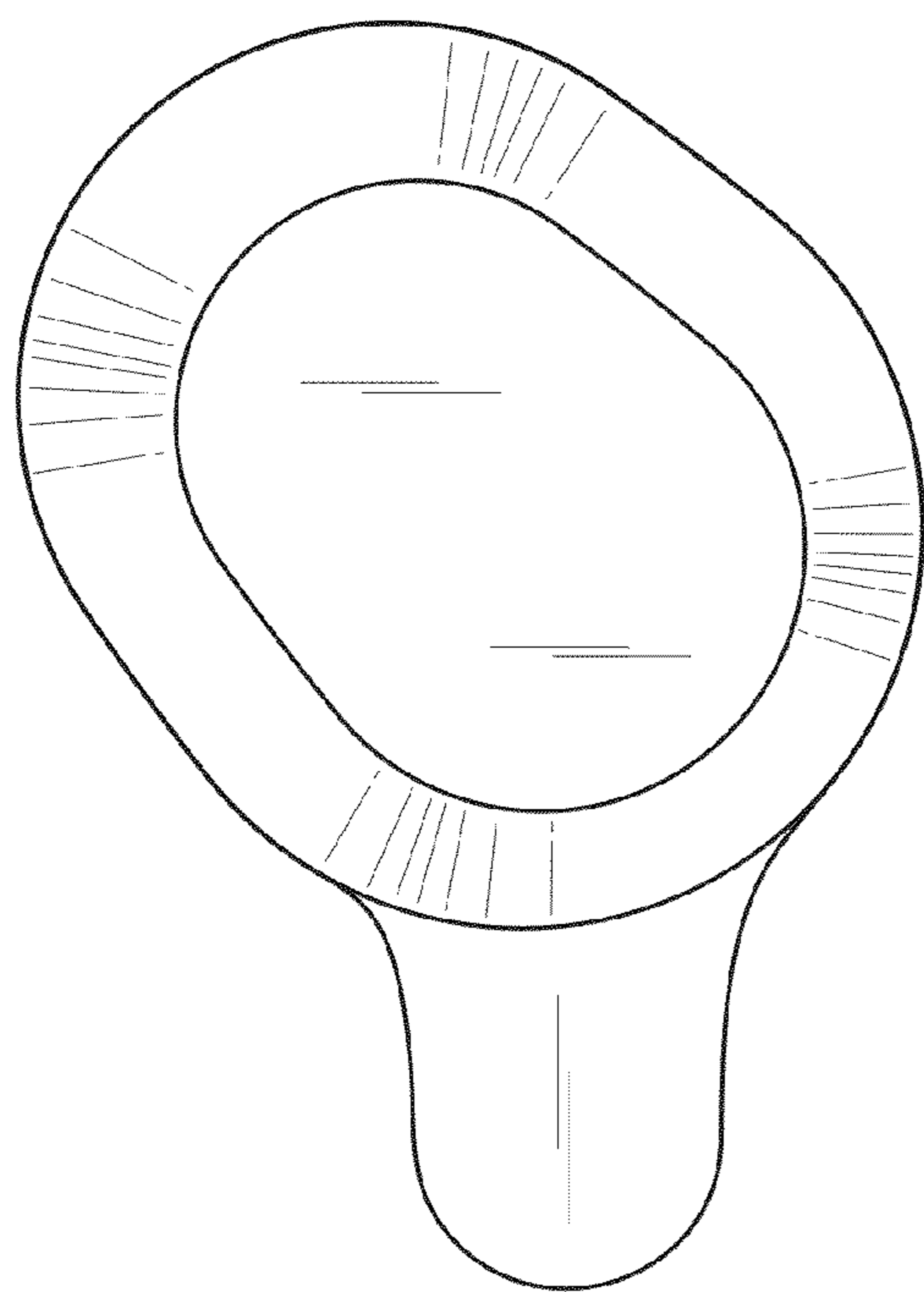


**Fig. 7**

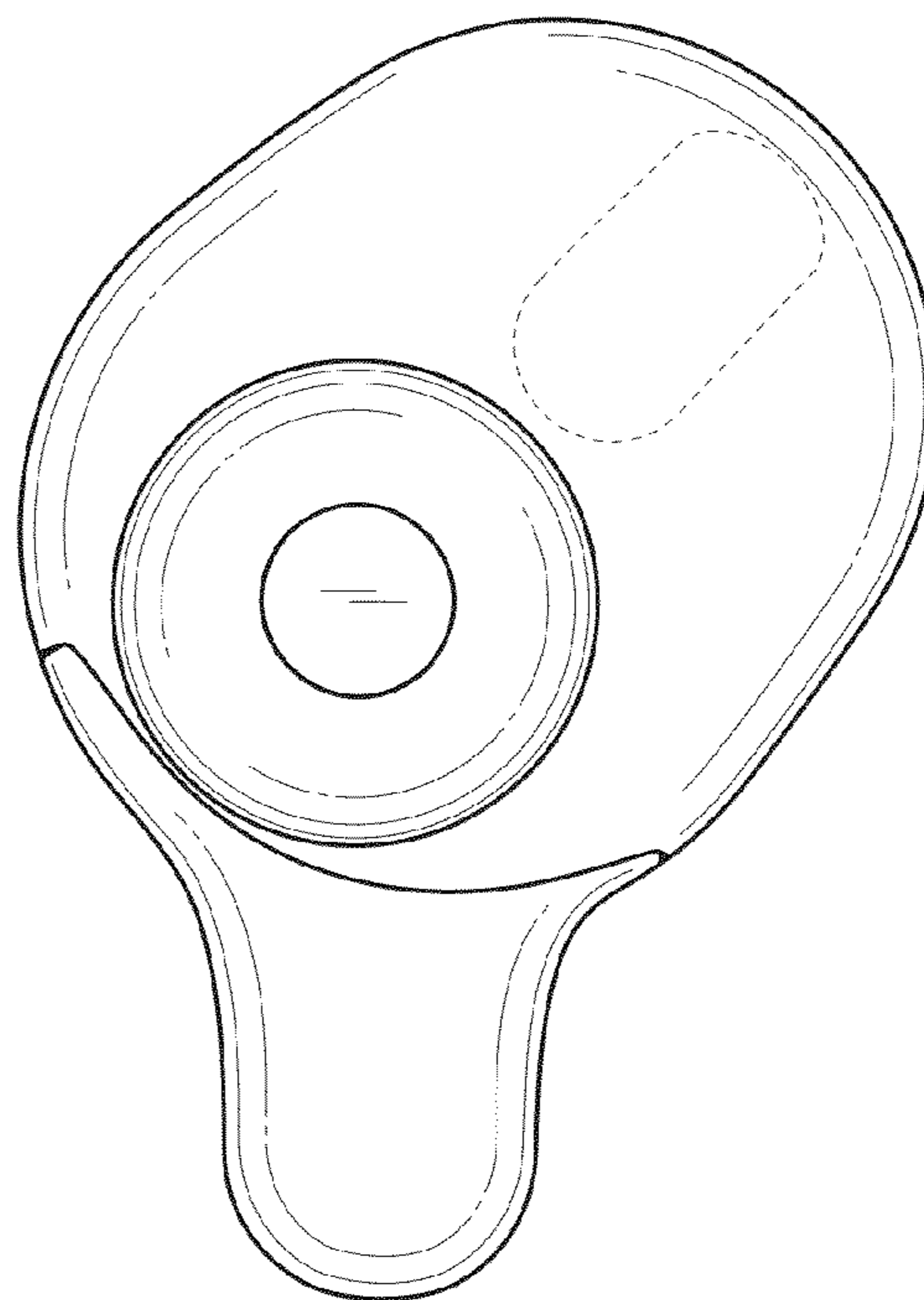


**Fig. 8**

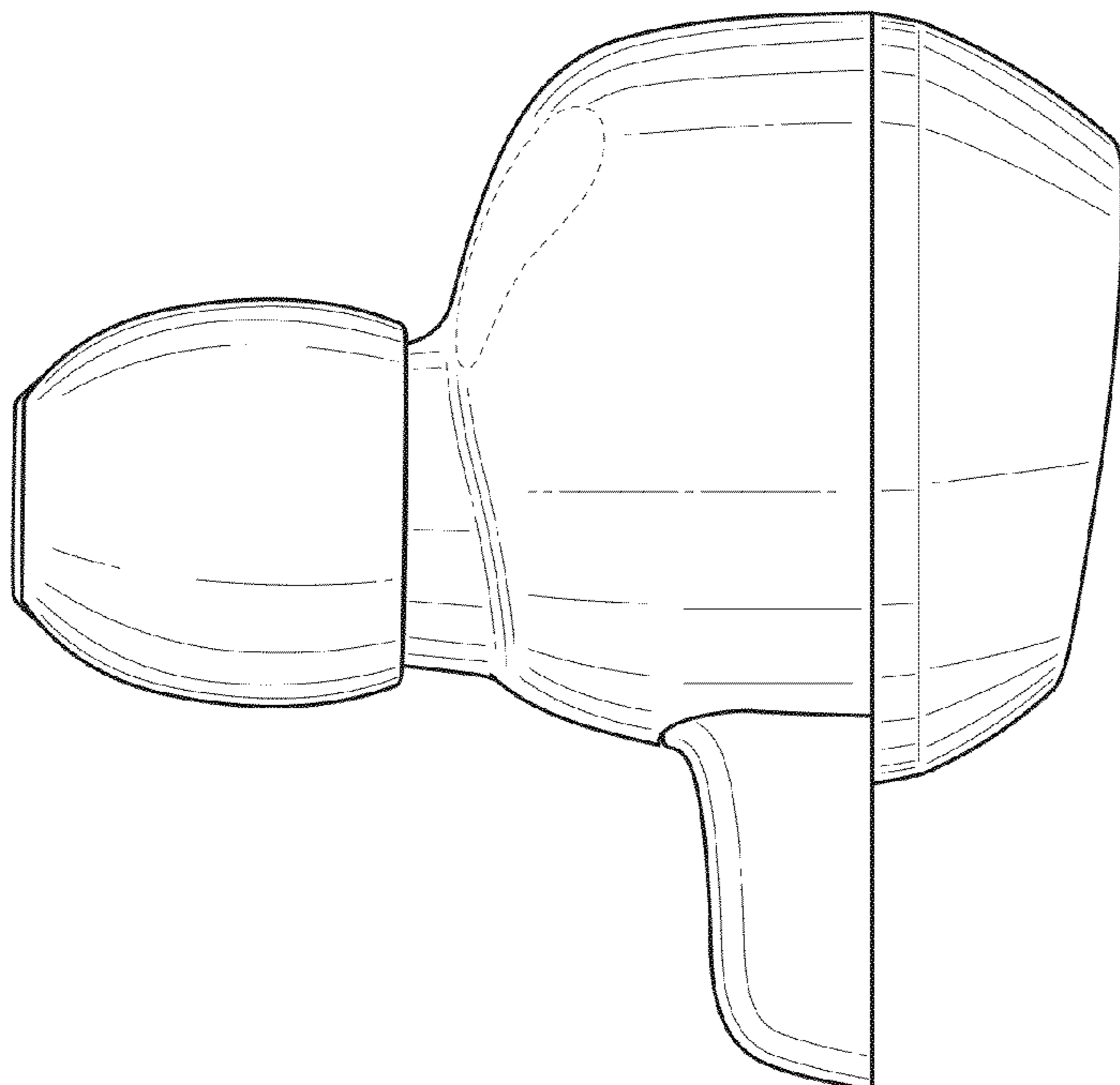




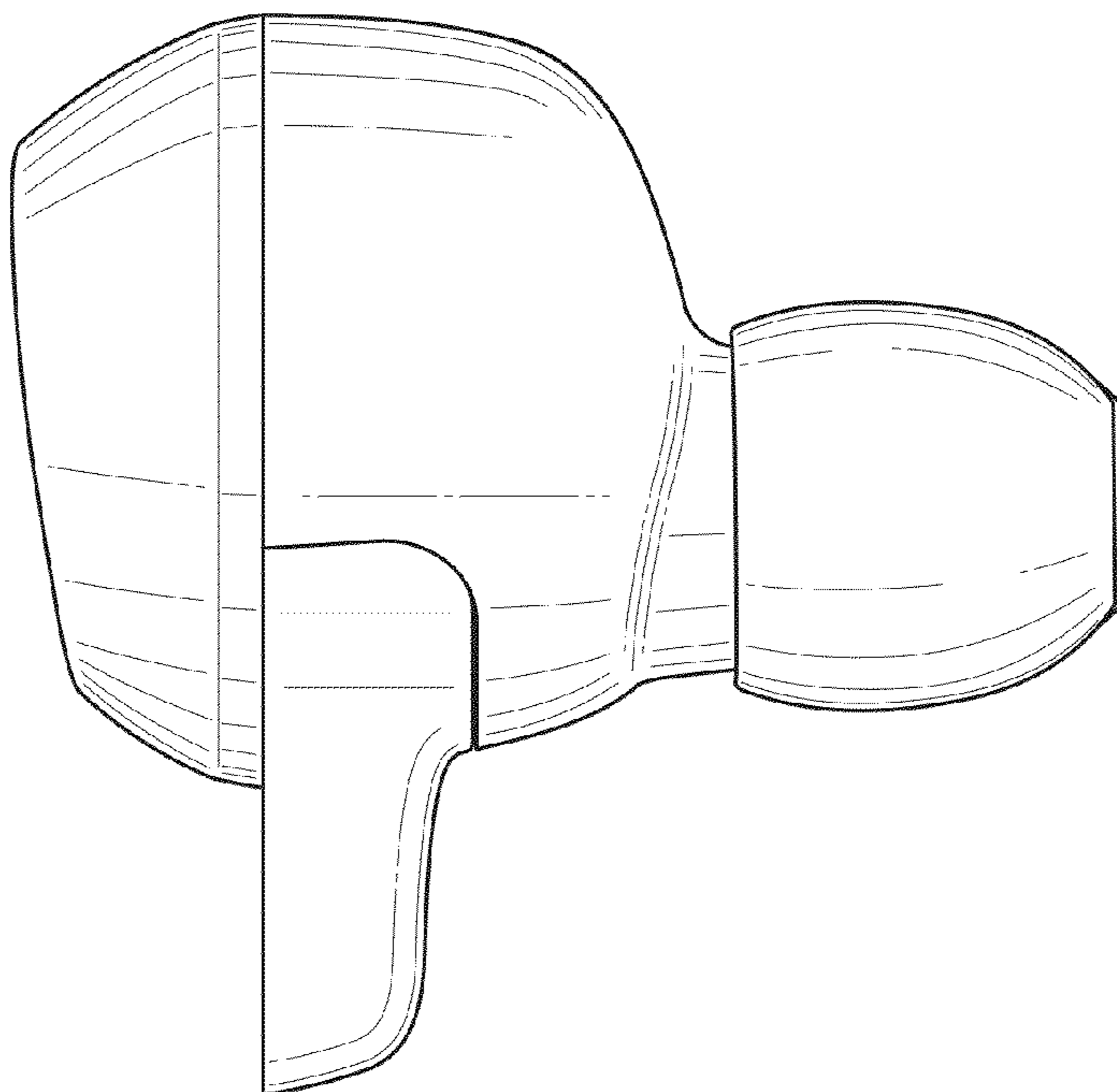
**Fig. 9**



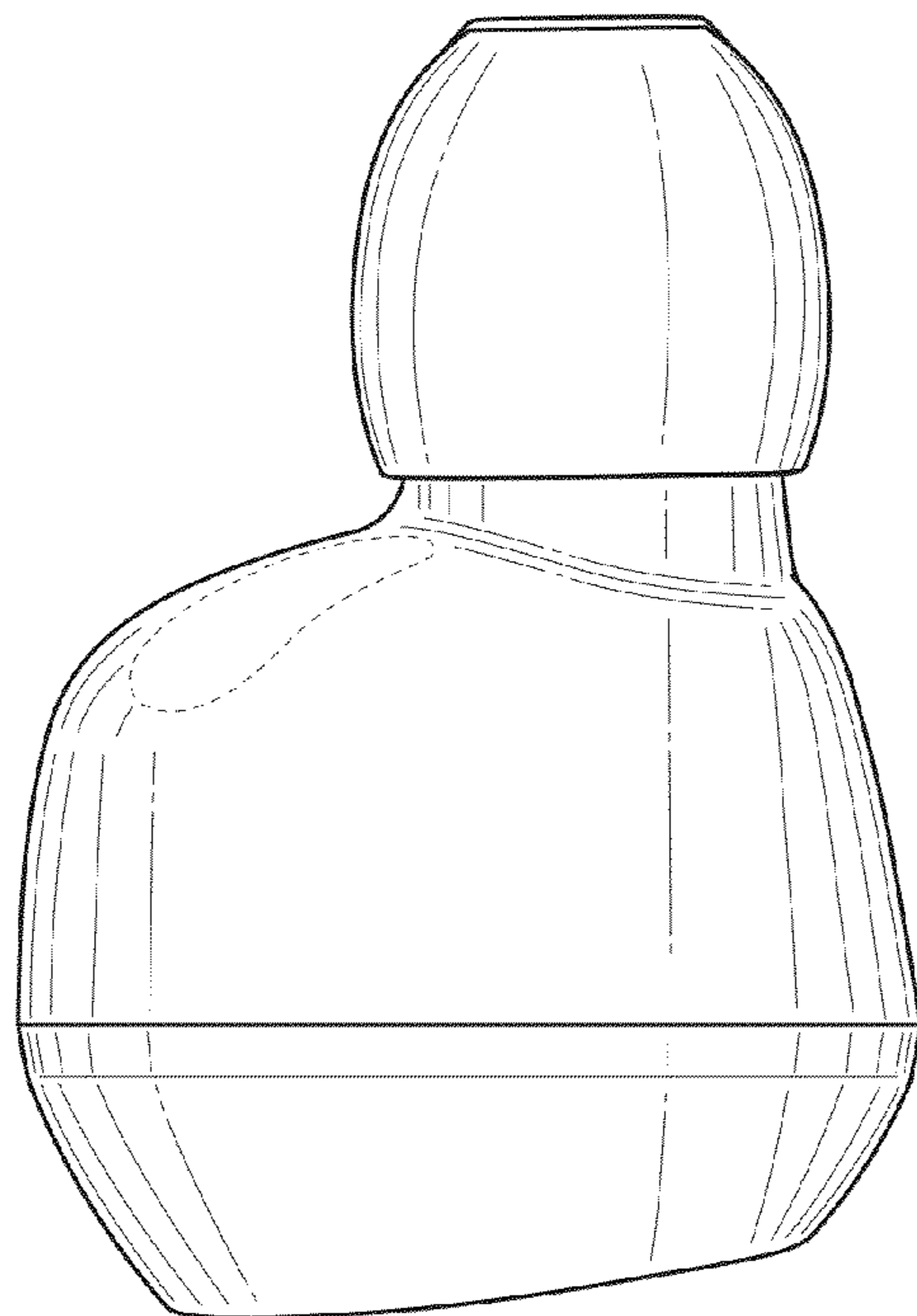
**Fig. 10**



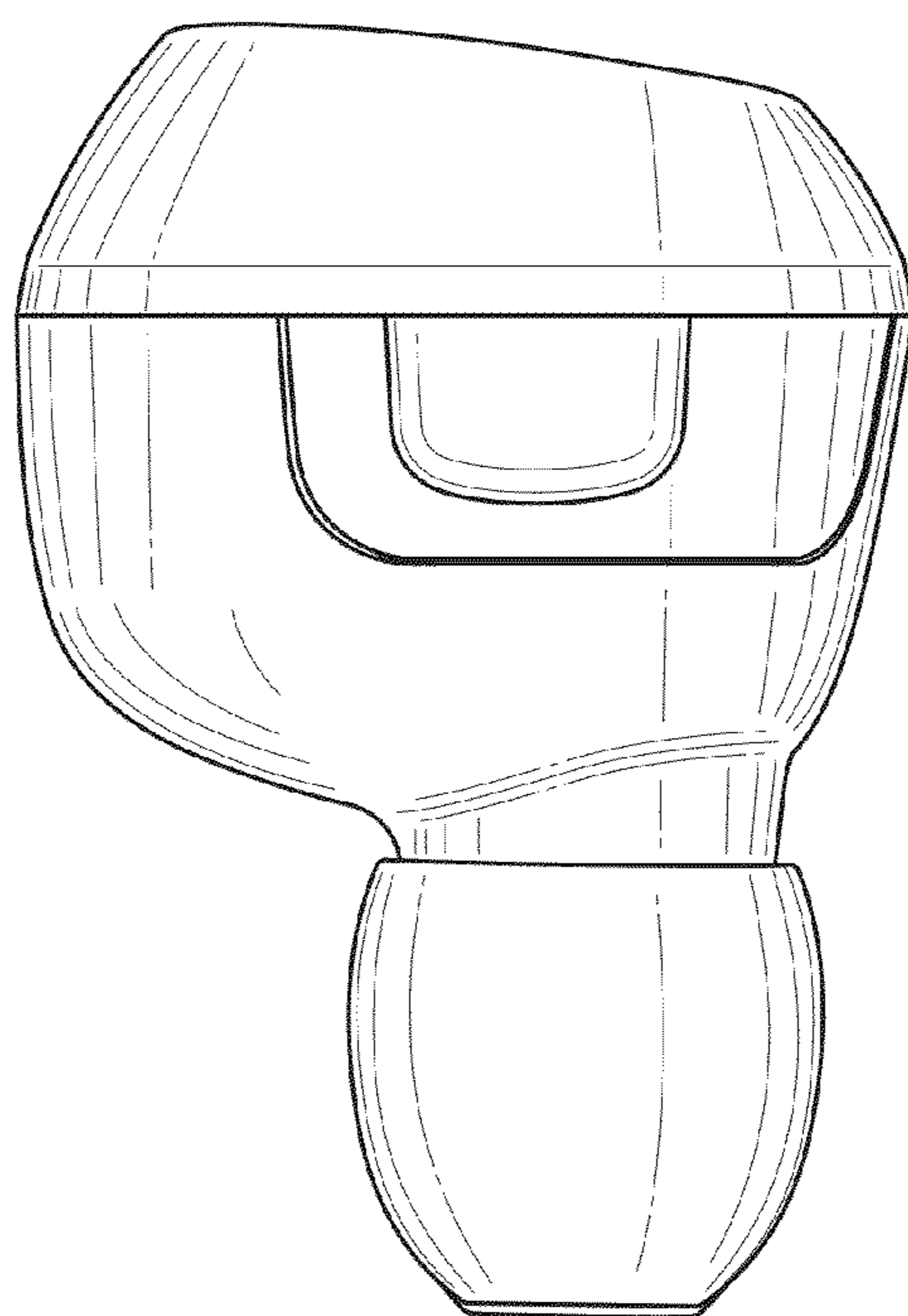
**Fig. 11**



**Fig. 12**



**Fig. 13**



**Fig. 14**