



US00D740254S

(12) **United States Design Patent**  
**Huang et al.**

(10) **Patent No.:** **US D740,254 S**

(45) **Date of Patent:** **\*\* Oct. 6, 2015**

(54) **AUDIO HEADPHONES**

(71) Applicants: **Sony Computer Entertainment America LLC**, San Mateo, CA (US);  
**Sony Computer Entertainment Inc.**, Tokyo (JP)

(72) Inventors: **Ennin Huang**, Santa Clara, CA (US);  
**Tetsu Sumii**, Tokyo (JP)

(73) Assignees: **Sony Computer Entertainment America LLC**, San Mateo, CA (US);  
**Sony Computer Entertainment Inc.**, Tokyo (JP)

(\*\*) Term: **14 Years**

(21) Appl. No.: **29/480,955**

(22) Filed: **Jan. 30, 2014**

(51) **LOC (10) Cl.** ..... **14-01**

(52) **U.S. Cl.**  
USPC ..... **D14/205**

(58) **Field of Classification Search**  
USPC ..... D14/192, 188, 205, 206; D29/112;  
2/209; 181/129, 130, 135; 379/430,  
379/431, 374; 455/90.3, 575.1  
CPC ..... H04R 1/1066  
See application file for complete search history.

(56) **References Cited**

**U.S. PATENT DOCUMENTS**

2,149,341	A *	3/1939	Harrison	.....	381/379
2,437,049	A *	3/1948	Salisbury et al.	.....	128/866
3,562,816	A *	2/1971	Hutchinson	.....	2/209
D300,133	S *	3/1989	Daidoh et al.	.....	D14/205
D313,092	S *	12/1990	Nilsson	.....	D29/112
5,003,589	A *	3/1991	Chen	.....	379/433.11
5,449,008	A *	9/1995	Yeh	.....	132/273
5,519,783	A *	5/1996	Kumar	.....	381/370
5,697,386	A *	12/1997	Chang	.....	132/273

D468,723	S *	1/2003	Pham et al.	.....	D14/205
6,584,984	B2 *	7/2003	Kelly	.....	132/212
6,654,966	B2 *	12/2003	Rolla	.....	2/209
6,993,143	B2 *	1/2006	Harris et al.	.....	381/379
D552,077	S *	10/2007	Brunner et al.	.....	D14/205
D573,581	S *	7/2008	Gondo et al.	.....	D14/205
D588,100	S *	3/2009	Densho et al.	.....	D14/205
D591,263	S *	4/2009	Shimizu	.....	D14/205
D620,474	S *	7/2010	Komiyama	.....	D14/205
D625,705	S *	10/2010	Ohuri et al.	.....	D14/205
D633,471	S *	3/2011	Sugiyama	.....	D14/205
D654,471	S *	2/2012	Fischer	.....	D14/206
D654,472	S *	2/2012	Fischer	.....	D14/206
D657,344	S *	4/2012	Brunner et al.	.....	D14/205
D663,717	S *	7/2012	Hutchieson	.....	D14/206
D664,114	S *	7/2012	Tsuchiya	.....	D14/205
D673,136	S *	12/2012	Kelly et al.	.....	D14/205

(Continued)

*Primary Examiner* — Paula Greene

(74) *Attorney, Agent, or Firm* — Martine Penilla Group, LLP

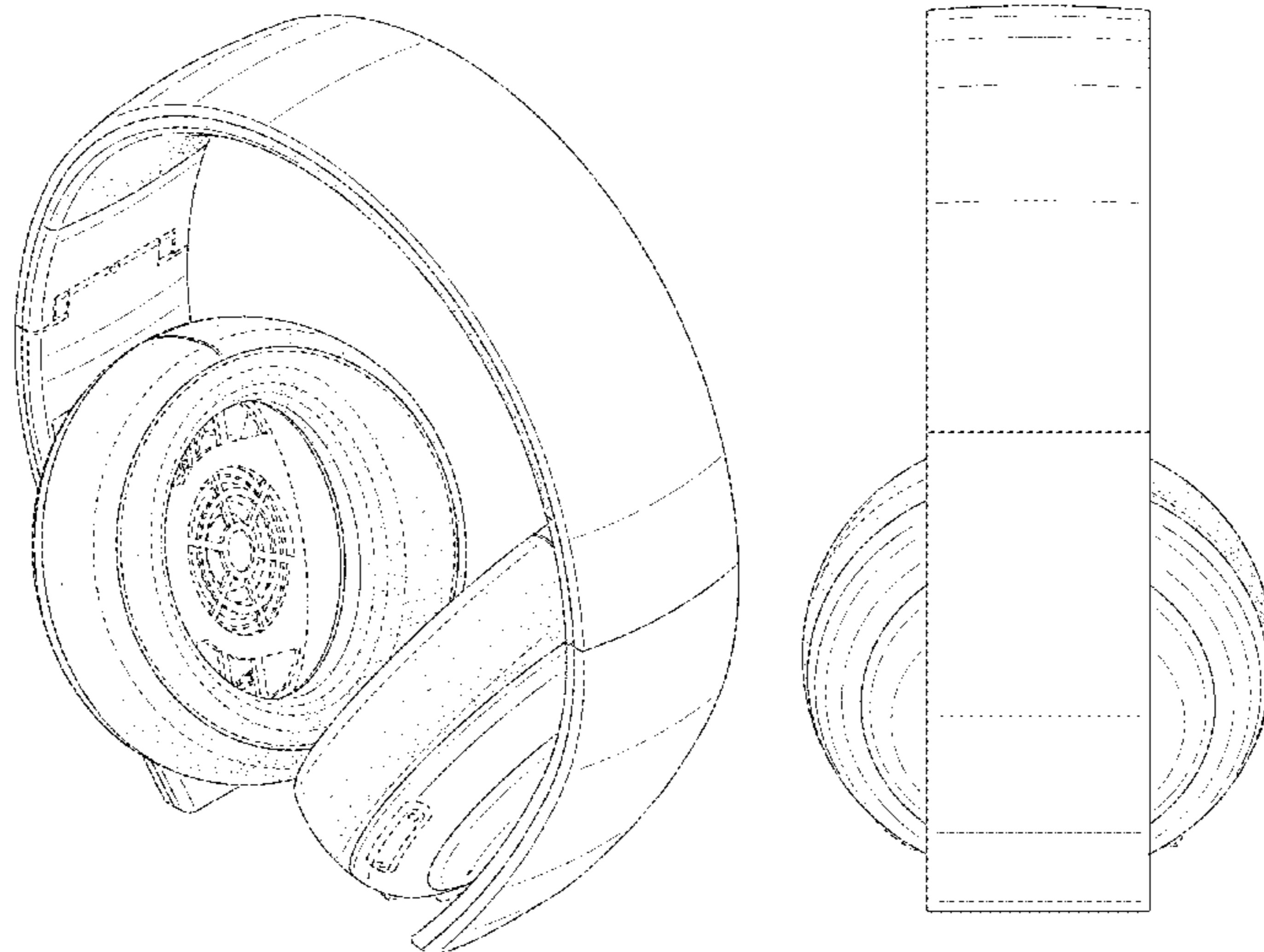
(57) **CLAIM**

The ornamental design for audio headphones, as shown and described.

**DESCRIPTION**

FIG. 1 is a first perspective view of our audio headphones; FIG. 2 is a first side view thereof; FIG. 3 is a second side view thereof; FIG. 4 is a third side view thereof; FIG. 5 is a fourth side view thereof; FIG. 6 is a top view thereof; FIG. 7 is a bottom view thereof; FIG. 8 is a second perspective view of our audio headphones; FIG. 9 is a third perspective view of our audio headphones; FIG. 10 is a fourth perspective view of our audio headphones; and, FIG. 11 is a perspective view of our audio headphones, showing a user wearing the headphones. The broken-lines form no part of the claimed design.

**1 Claim, 11 Drawing Sheets**



# US D740,254 S

Page 2

---

(56)

## References Cited

### U.S. PATENT DOCUMENTS

D683,329 S \* 5/2013 Hagelin ..... D14/205  
D687,808 S \* 8/2013 Combs et al. .... D14/205  
D714,255 S \* 9/2014 Sparks et al. .... D14/206

D715,251 S \* 10/2014 Sparks et al. .... D14/205  
D715,252 S \* 10/2014 Sparks et al. .... D14/205  
D715,255 S \* 10/2014 Nunez et al. .... D14/205  
2006/0027245 A1 \* 2/2006 Spector ..... 132/273

\* cited by examiner

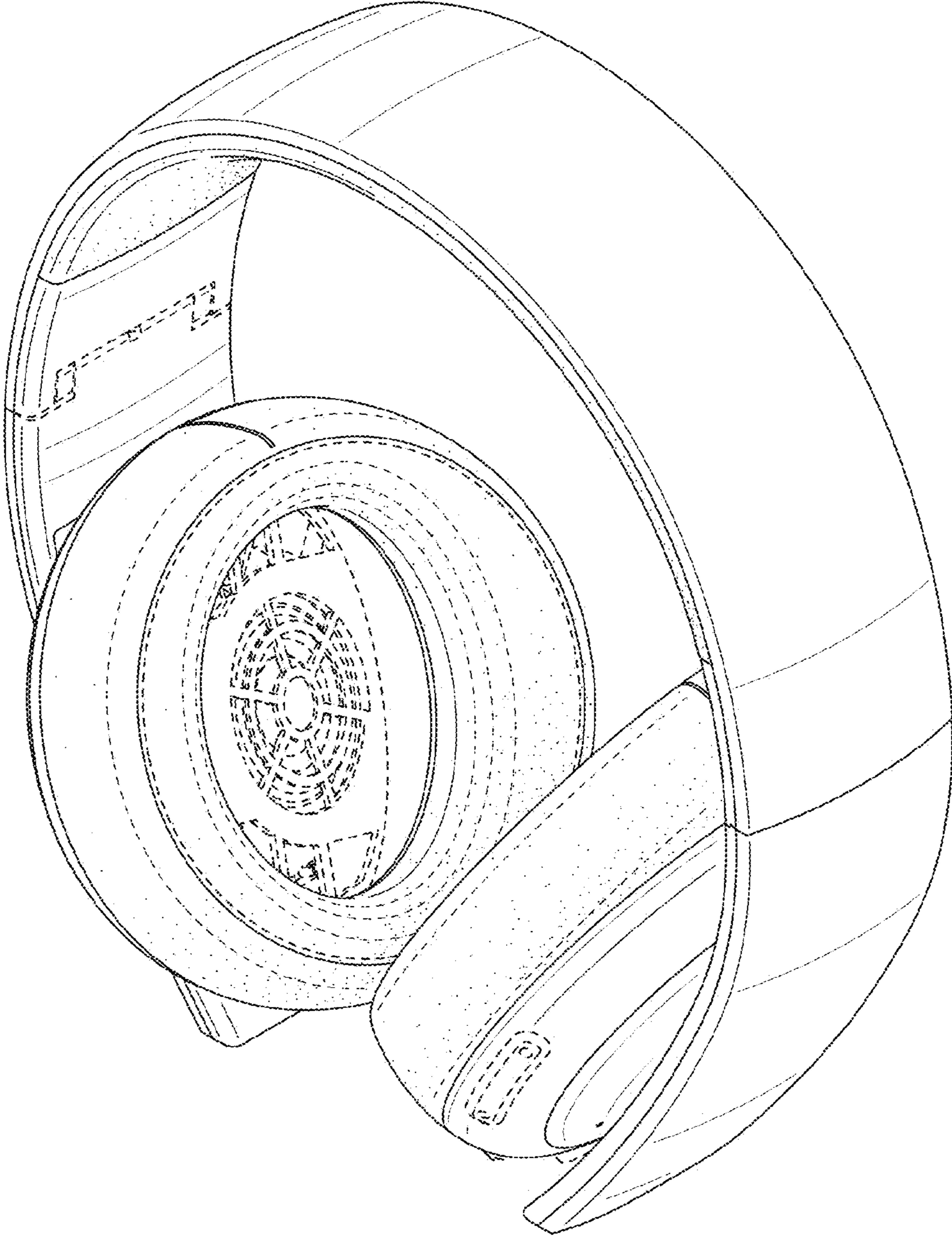


FIG. 1

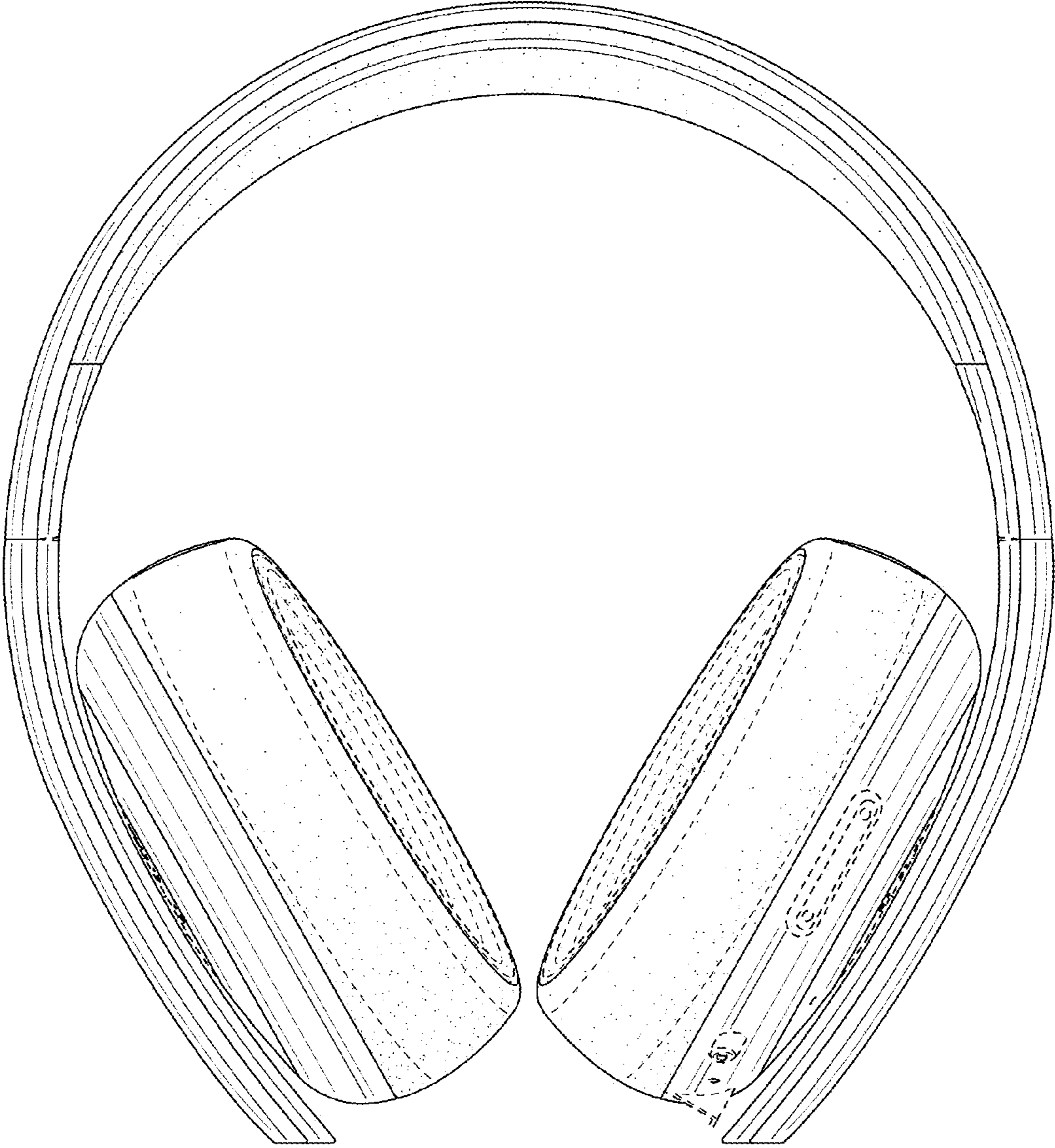


FIG. 2

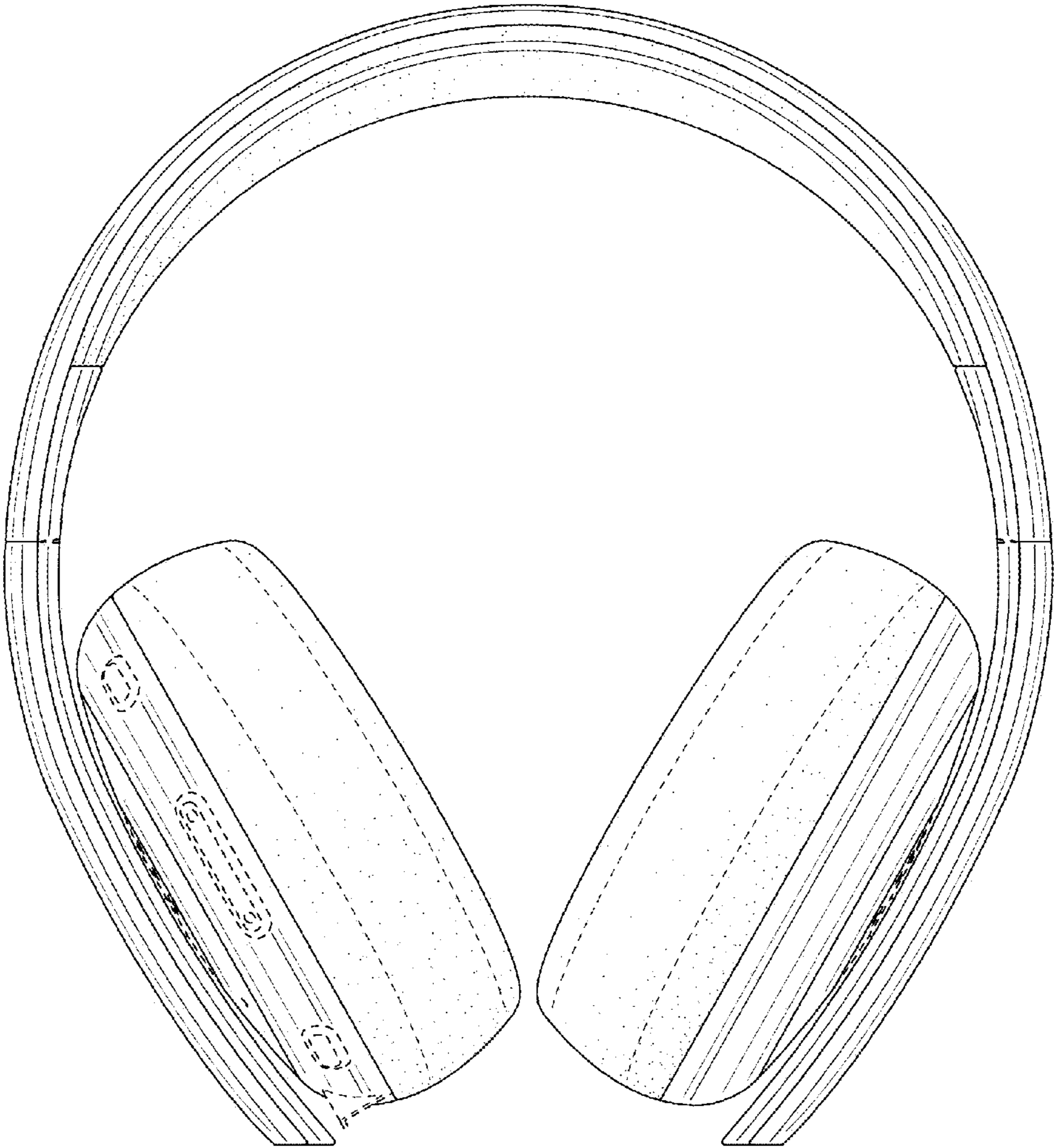


FIG. 3

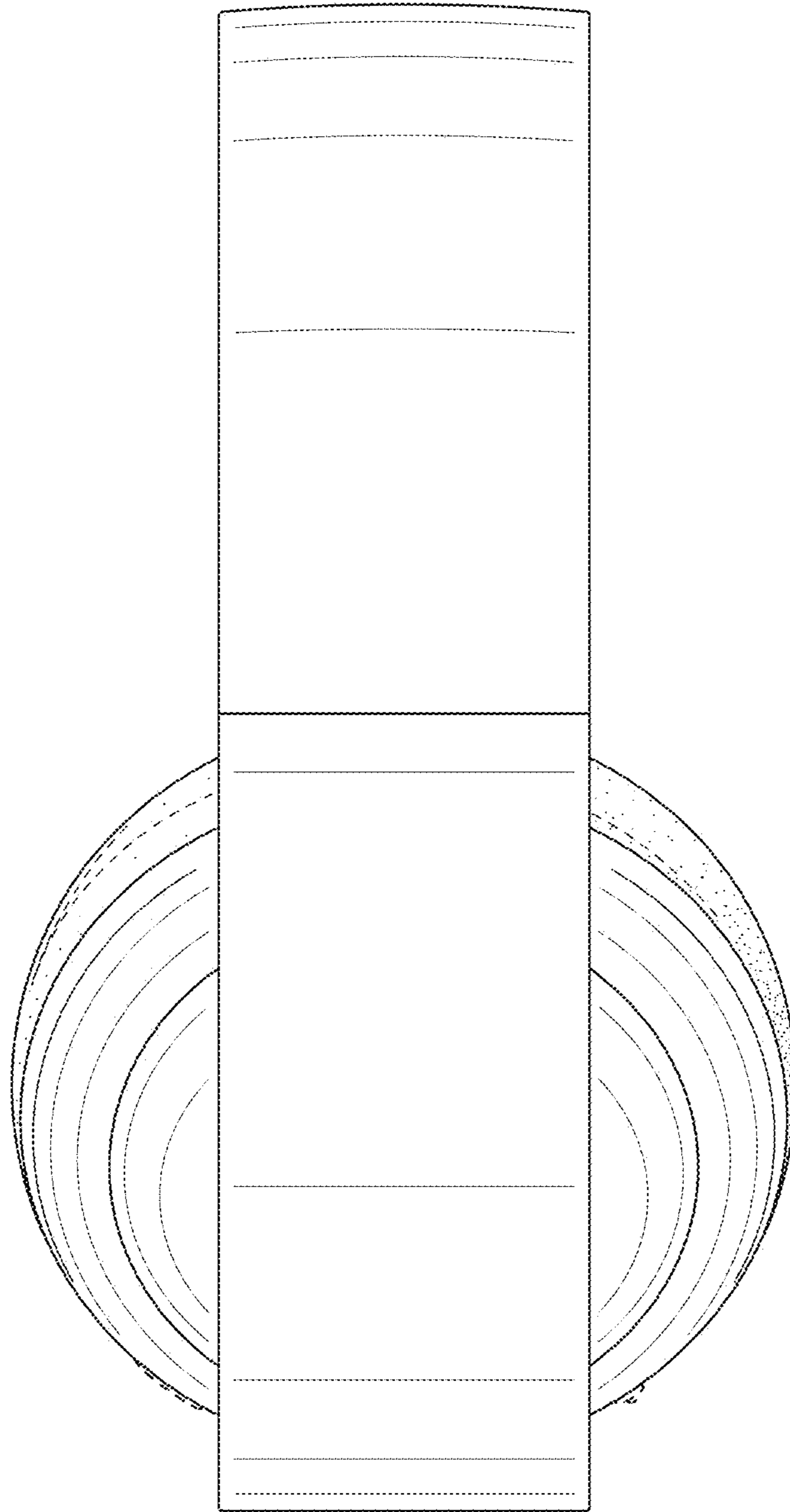


FIG. 4

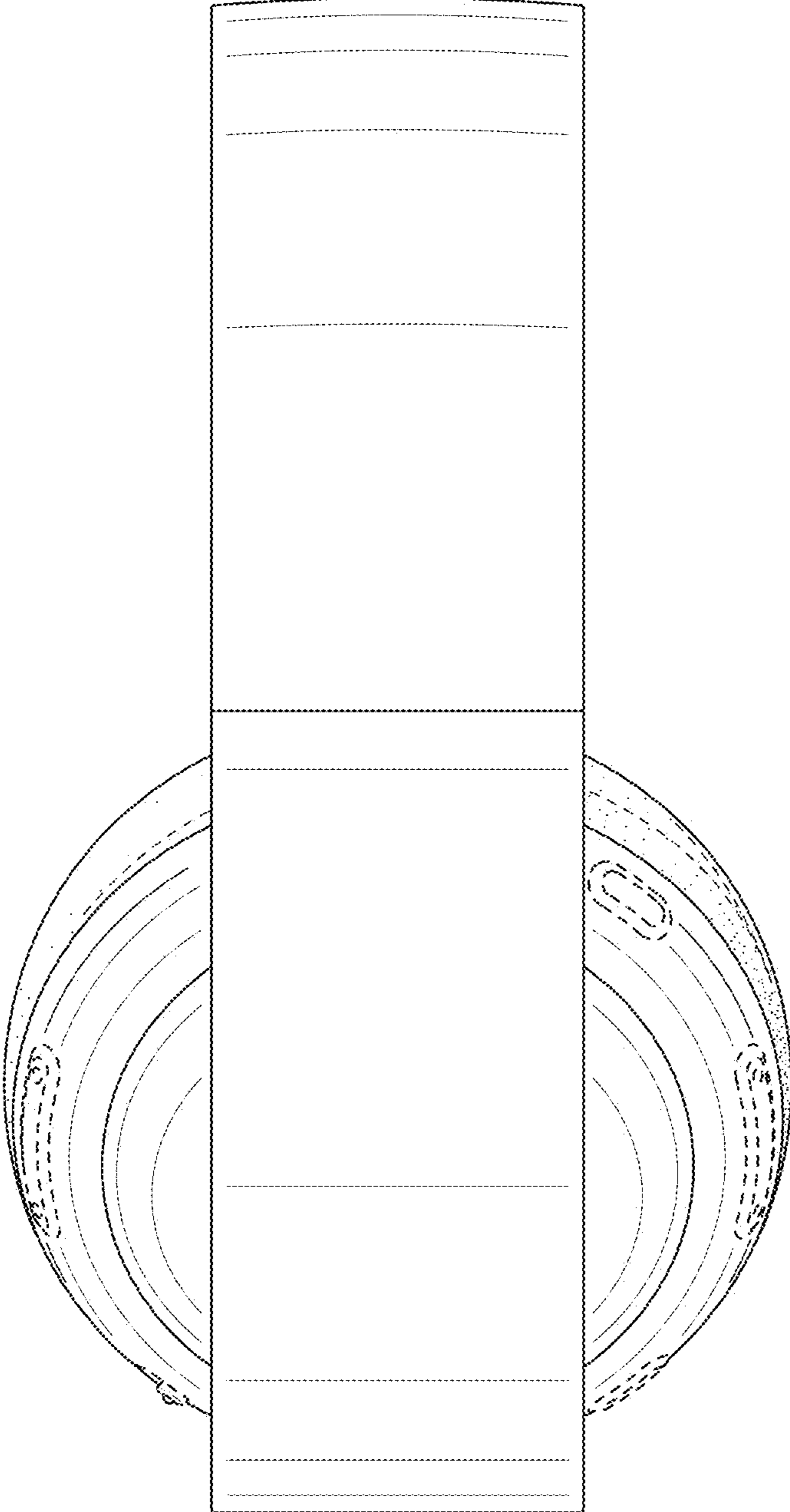


FIG. 5

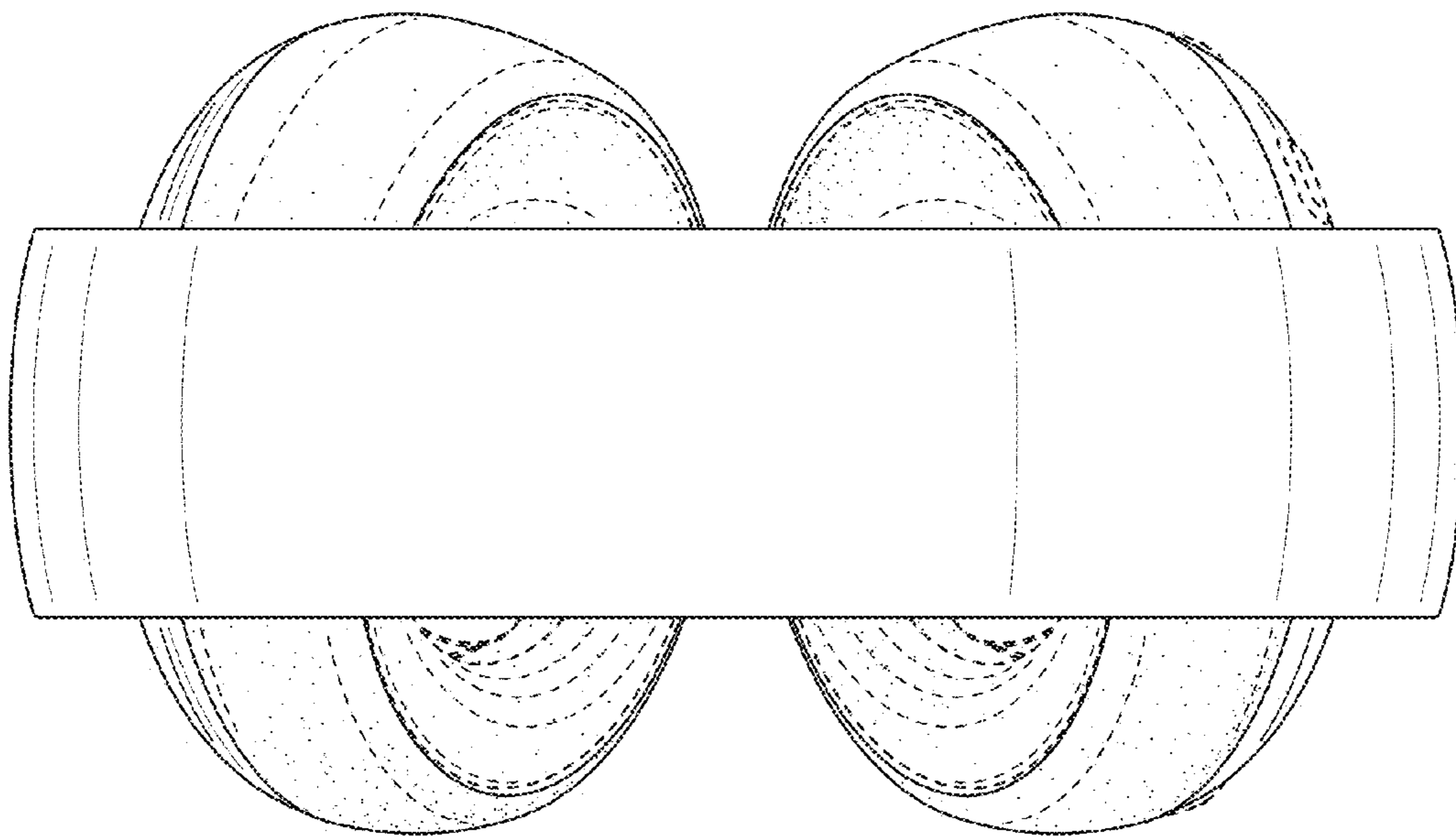


FIG. 6



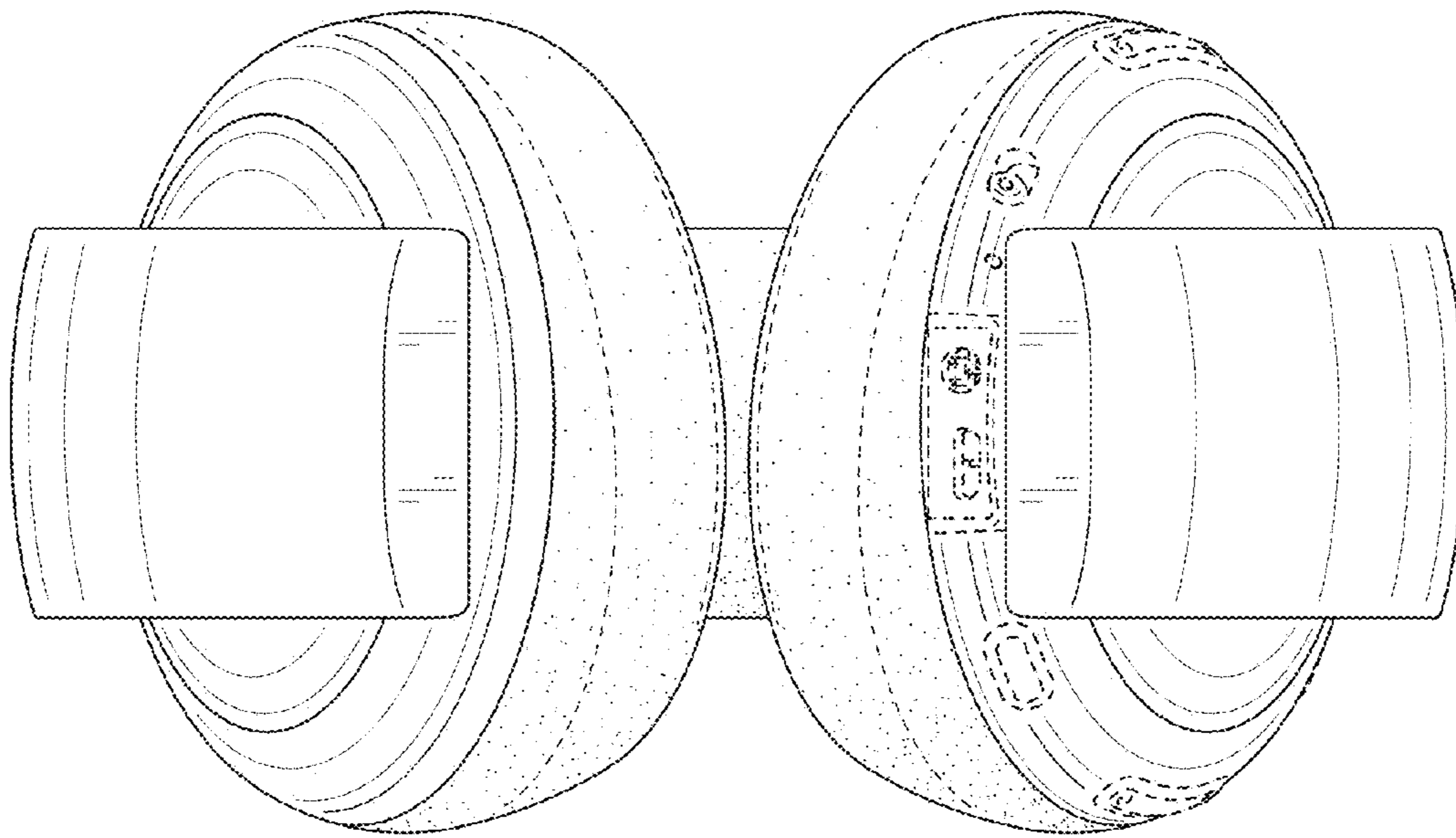


FIG. 7

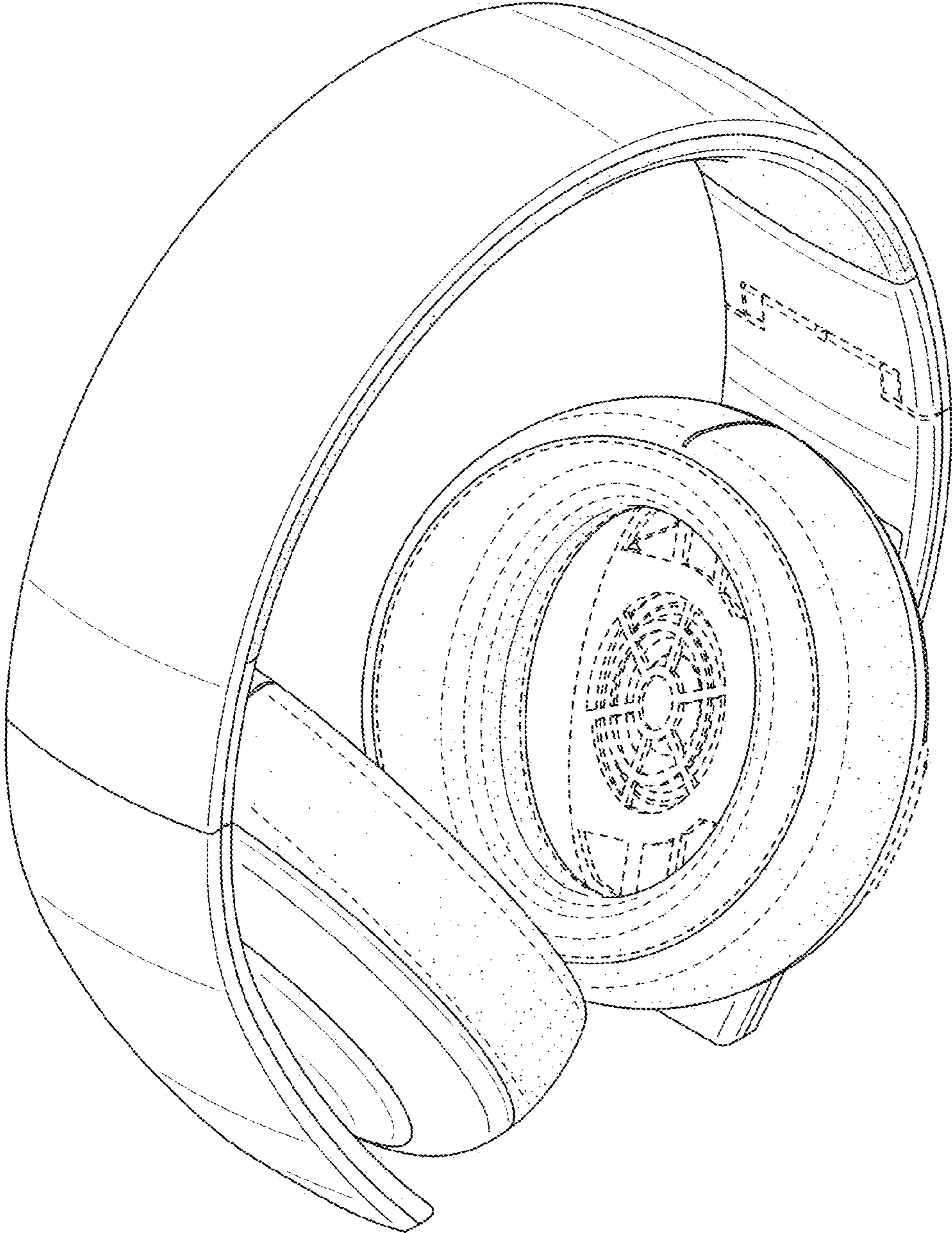


FIG. 8

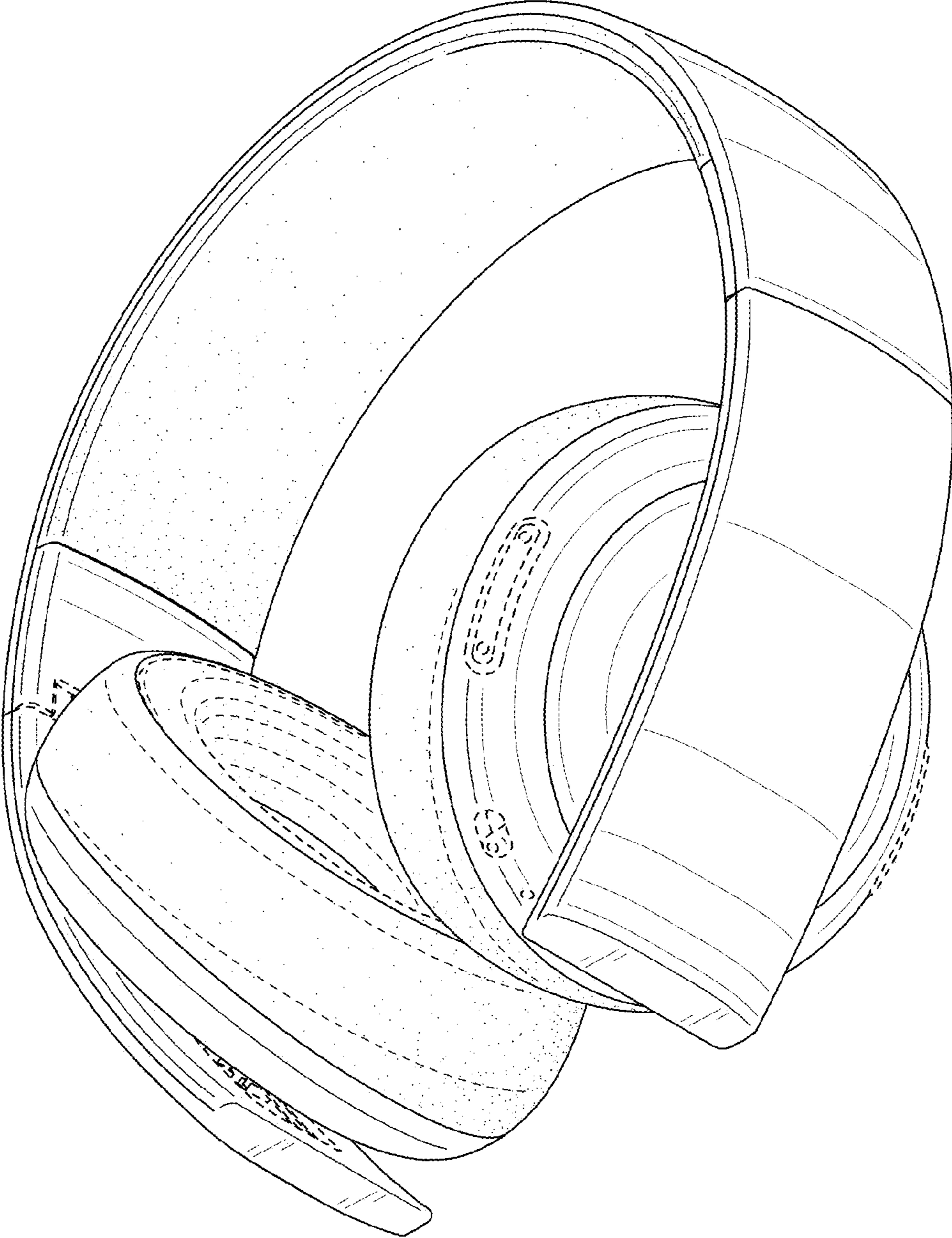


FIG. 9

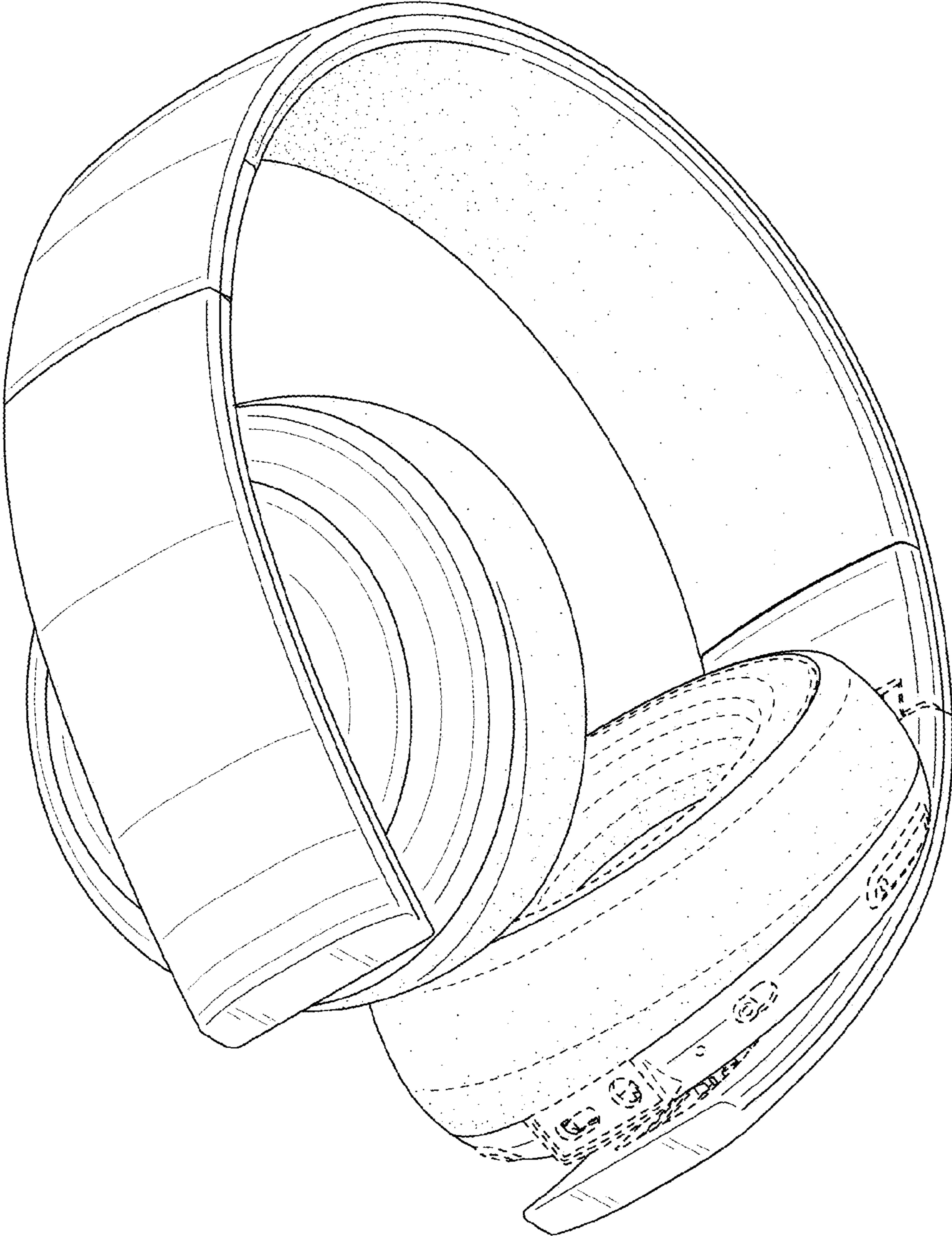


FIG. 10

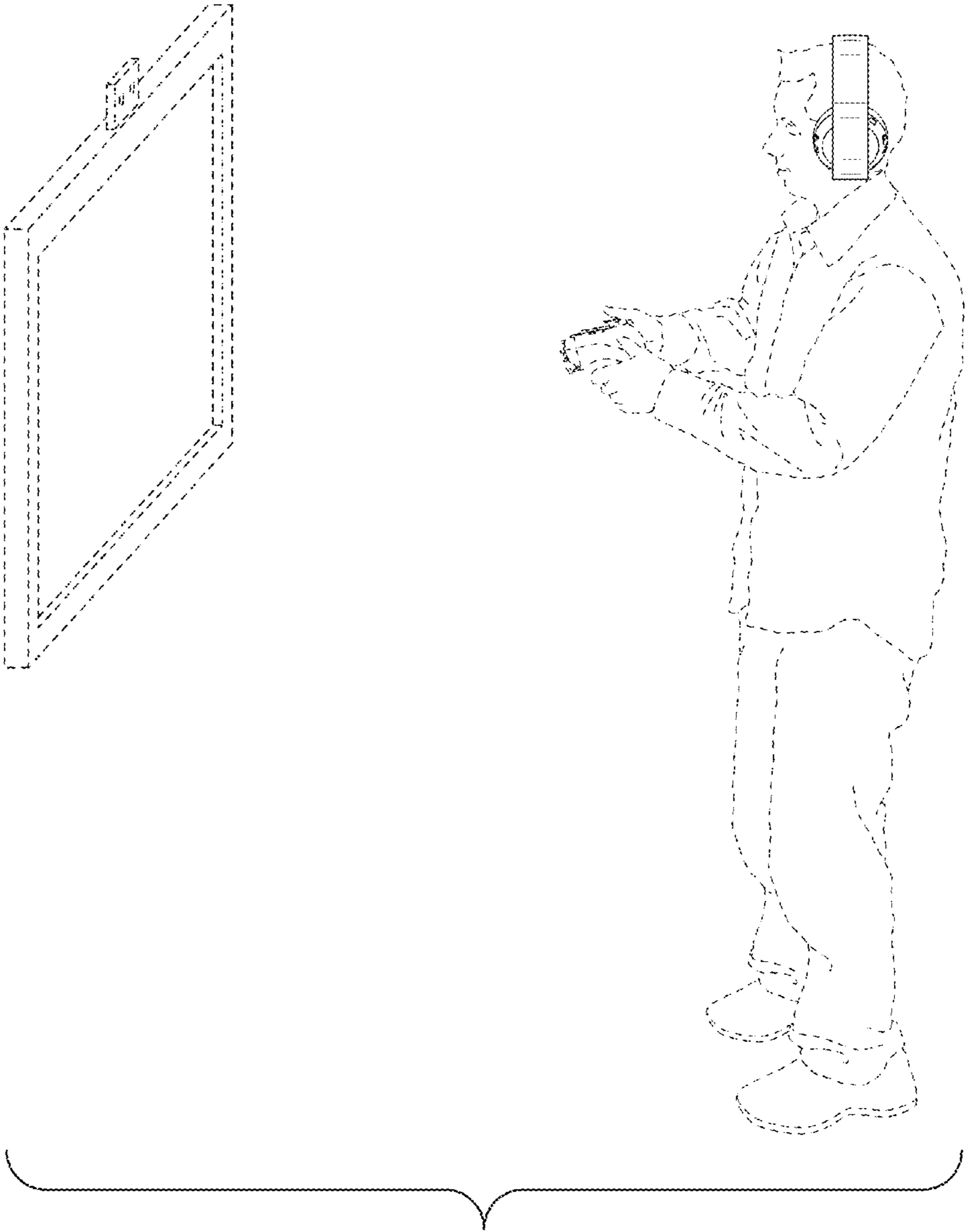


FIG. 11