



US00D740251S

(12) **United States Design Patent**
Greer et al.

(10) **Patent No.:** **US D740,251 S**

(45) **Date of Patent:** **** Oct. 6, 2015**

(54) **AWNING HEAD WITH SPEAKER**

(56) **References Cited**

(71) Applicants: **Christopher S. Greer**, Leesburg, IN
(US); **Andrew M. Murray**, Granger, IN
(US); **Brian M. Worthman**, Goshen, IN
(US); **Jeff Albrecht**, Goshen, IN (US)

U.S. PATENT DOCUMENTS

D468,716 S *	1/2003	Cuvelier	D14/168
D491,913 S *	6/2004	Chan	D14/171
D513,248 S *	12/2005	Yang	D14/216
D585,892 S *	2/2009	Urban	D14/356
D617,812 S *	6/2010	Strauser	D14/501
2006/0191740 A1 *	8/2006	Abe et al.	181/156

(72) Inventors: **Christopher S. Greer**, Leesburg, IN
(US); **Andrew M. Murray**, Granger, IN
(US); **Brian M. Worthman**, Goshen, IN
(US); **Jeff Albrecht**, Goshen, IN (US)

* cited by examiner

(73) Assignee: **LIPPERT COMPONENTS, INC.**,
Elkhart, IN (US)

Primary Examiner — Derrick Holland

Assistant Examiner — Janice Lim

(74) *Attorney, Agent, or Firm* — Barnes & Thornburg LLP

(**) Term: **14 Years**

(57) **CLAIM**

The ornamental design for an awning head with speaker, as shown and described.

(21) Appl. No.: **29/449,390**

DESCRIPTION

(22) Filed: **Mar. 15, 2013**

(51) **LOC (10) Cl.** **14-01**

(52) **U.S. Cl.**
USPC **D14/204**

(58) **Field of Classification Search**
USPC D14/168, 172, 188, 189, 192, 204,
D14/207–216, 220–222, 224, 314, 356,
D14/365; 181/143, 144, 148, 150–153, 157,
181/159, 198, 199; 381/300–302, 332, 333,
381/336, 345, 361, 365, 386, 388

FIG. 1 is a bottom right side perspective view of an awning head with speaker, showing our new design, FIG. 2 is a front elevational view thereof, FIG. 3 is a rear elevational view thereof, FIG. 4 is a left side elevational view thereof; and, FIG. 5 is a top plan view thereof.

The broken line portions of FIGS. 1 and 3-5 are included to show unclaimed subject matter only and form no part of the claimed design.

See application file for complete search history.

1 Claim, 3 Drawing Sheets

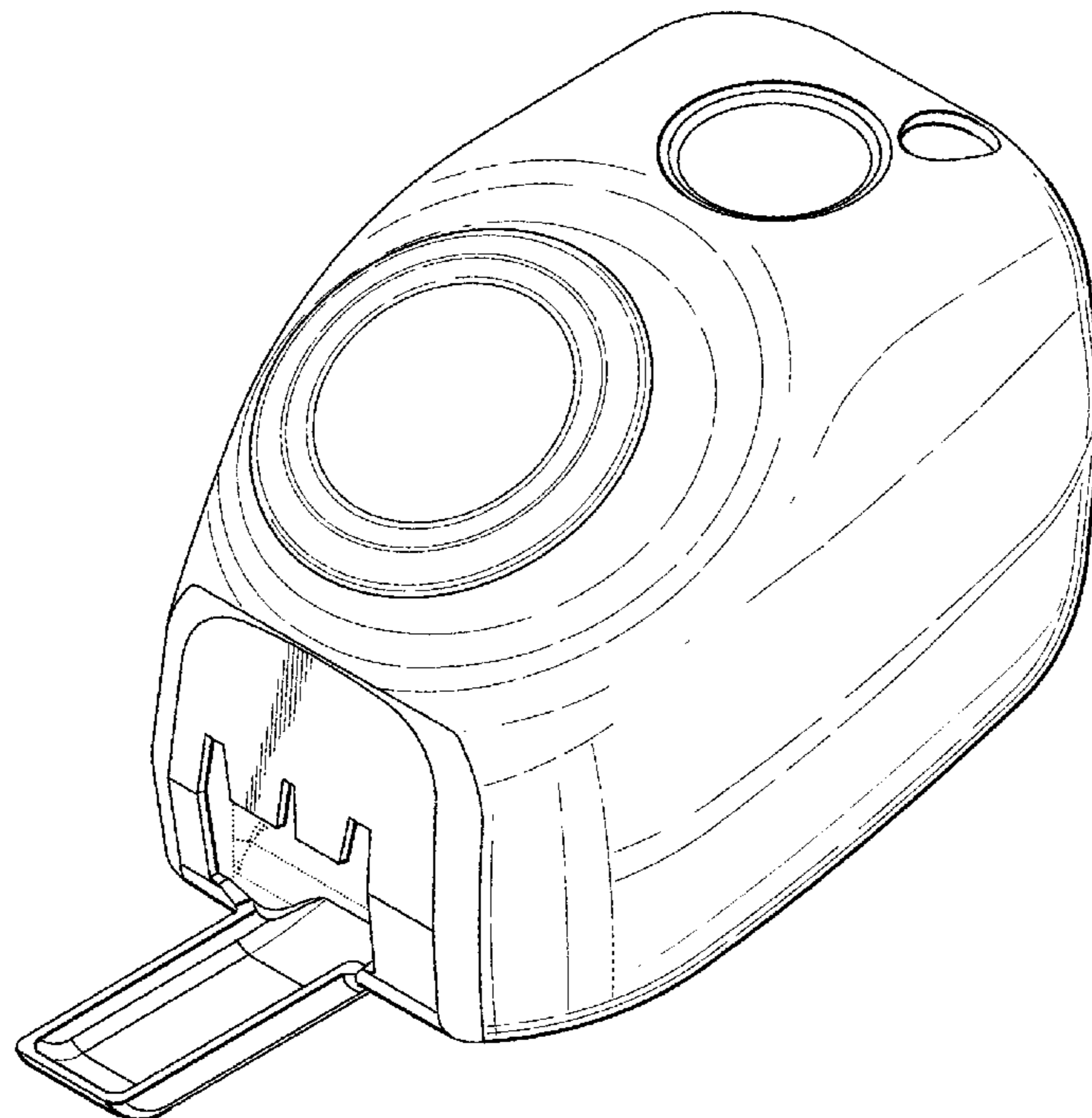


Fig. 1

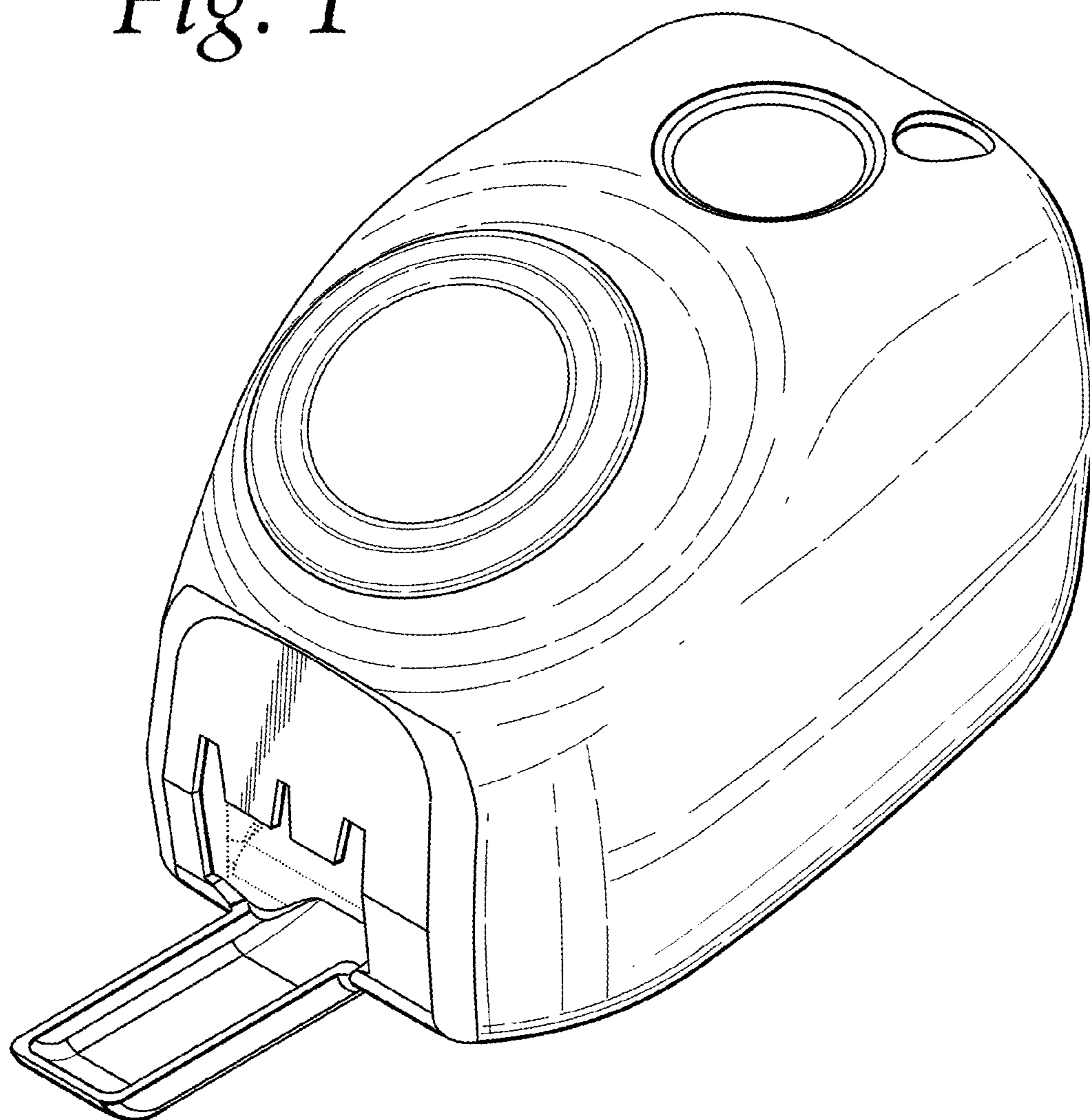


Fig. 2

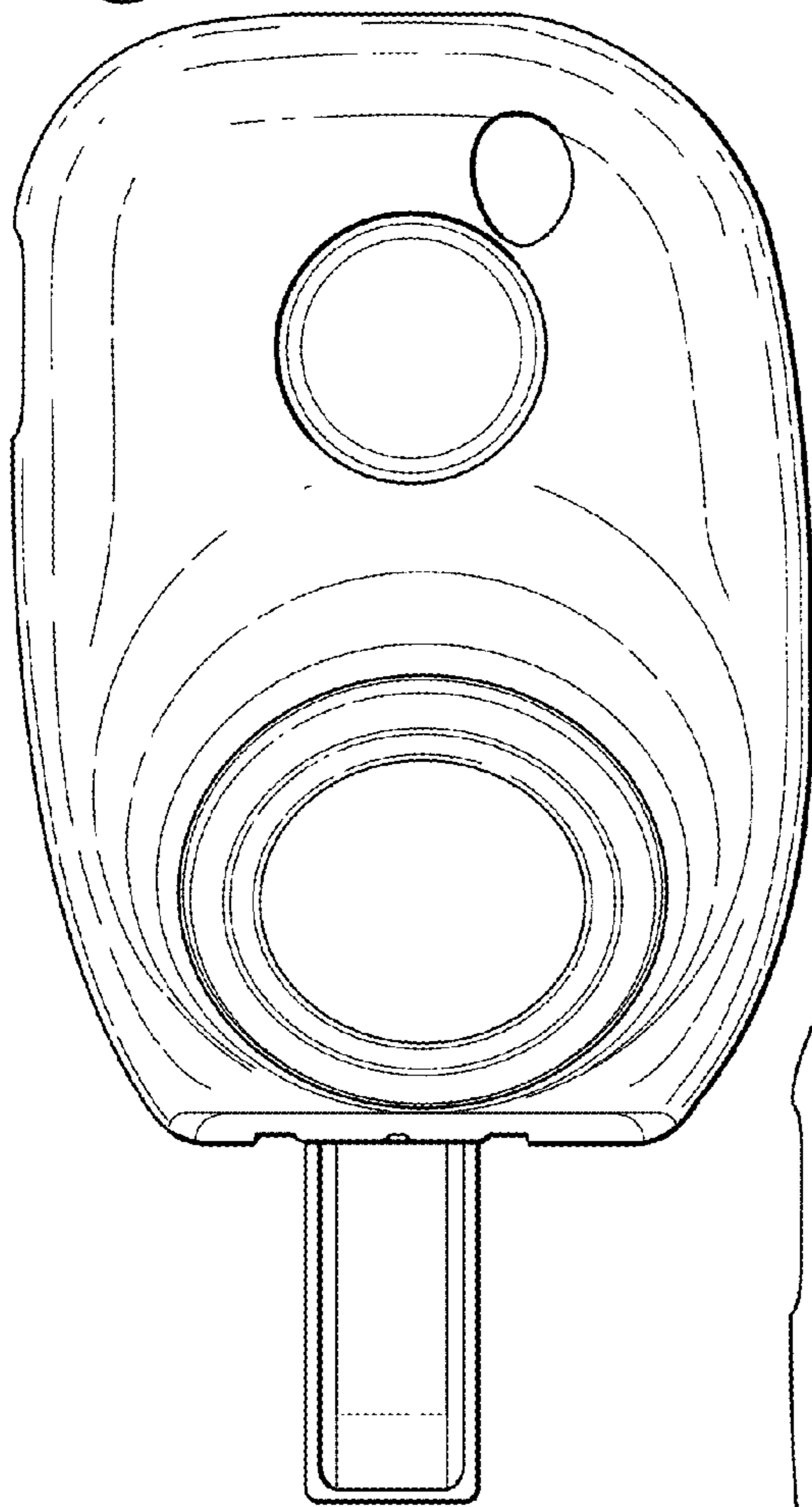


Fig. 3

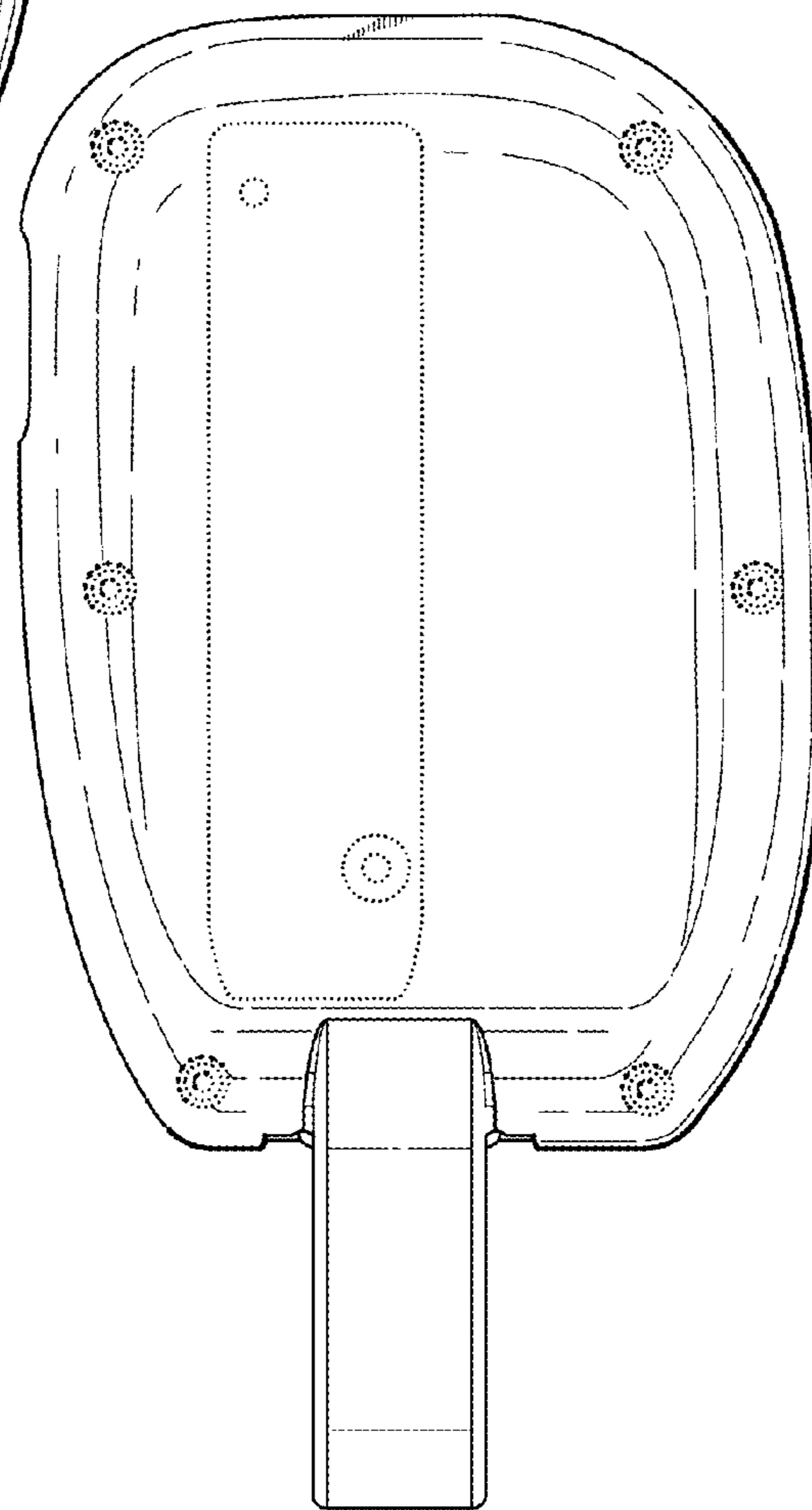


Fig. 4

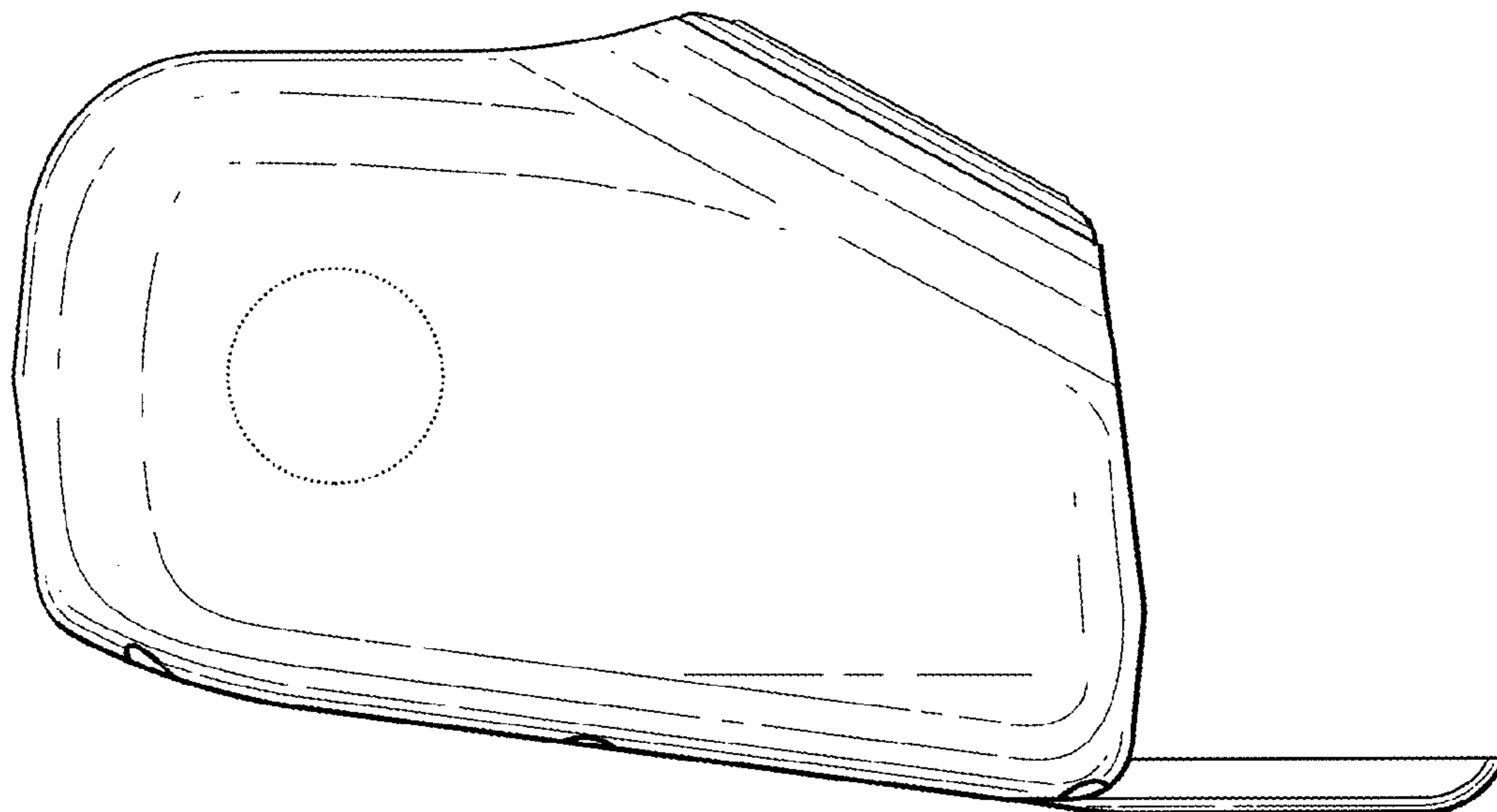


Fig. 5

