



US00D740249S

(12) **United States Design Patent**
Park et al.

(10) **Patent No.:** **US D740,249 S**

(45) **Date of Patent:** **** Oct. 6, 2015**

(54) **SOUND AMPLIFIER**

(71) Applicants: **Gwan Woo Park**, Seoul (KR); **Jae Hyung Byun**, Seoul (KR)

(72) Inventors: **Gwan Woo Park**, Seoul (KR); **Jae Hyung Byun**, Seoul (KR)

(**) Term: **14 Years**

(21) Appl. No.: **29/494,771**

(22) Filed: **Jun. 24, 2014**

(51) **LOC (10) Cl.** **14-03**

(52) **U.S. Cl.**
USPC **D14/188**; D14/253

(58) **Field of Classification Search**
USPC D14/498–511, 168–171, 188–198,
D14/204–217, 251–253; 181/129, 133;
381/120
CPC H04M 1/04; H04R 1/323; H04R 1/34;
H04R 1/40
See application file for complete search history.

(56) **References Cited**

U.S. PATENT DOCUMENTS

2,643,727	A	*	6/1953	Leon	181/155
D497,358	S	*	10/2004	Takeuchi et al.	D14/211
D524,799	S	*	7/2006	Hibi	D14/216
D554,108	S	*	10/2007	Solland	D14/217
D572,238	S	*	7/2008	Fujiwara et al.	D14/216
D636,372	S	*	4/2011	Leung	D14/168
D638,821	S	*	5/2011	Hoehn et al.	D14/214

D640,248	S	*	6/2011	Baumann et al.	D14/253
D647,508	S	*	10/2011	Lee et al.	D14/216
D677,650	S	*	3/2013	Bosa	D14/208
D686,213	S	*	7/2013	Haymond	D14/432
D691,125	S	*	10/2013	Cheon et al.	D14/253
D692,854	S	*	11/2013	Stabile	D14/207
D711,364	S	*	8/2014	Barker	D14/252

* cited by examiner

Primary Examiner — Sandra Morris

(74) *Attorney, Agent, or Firm* — Rabin & Berdo P.C.

(57) **CLAIM**

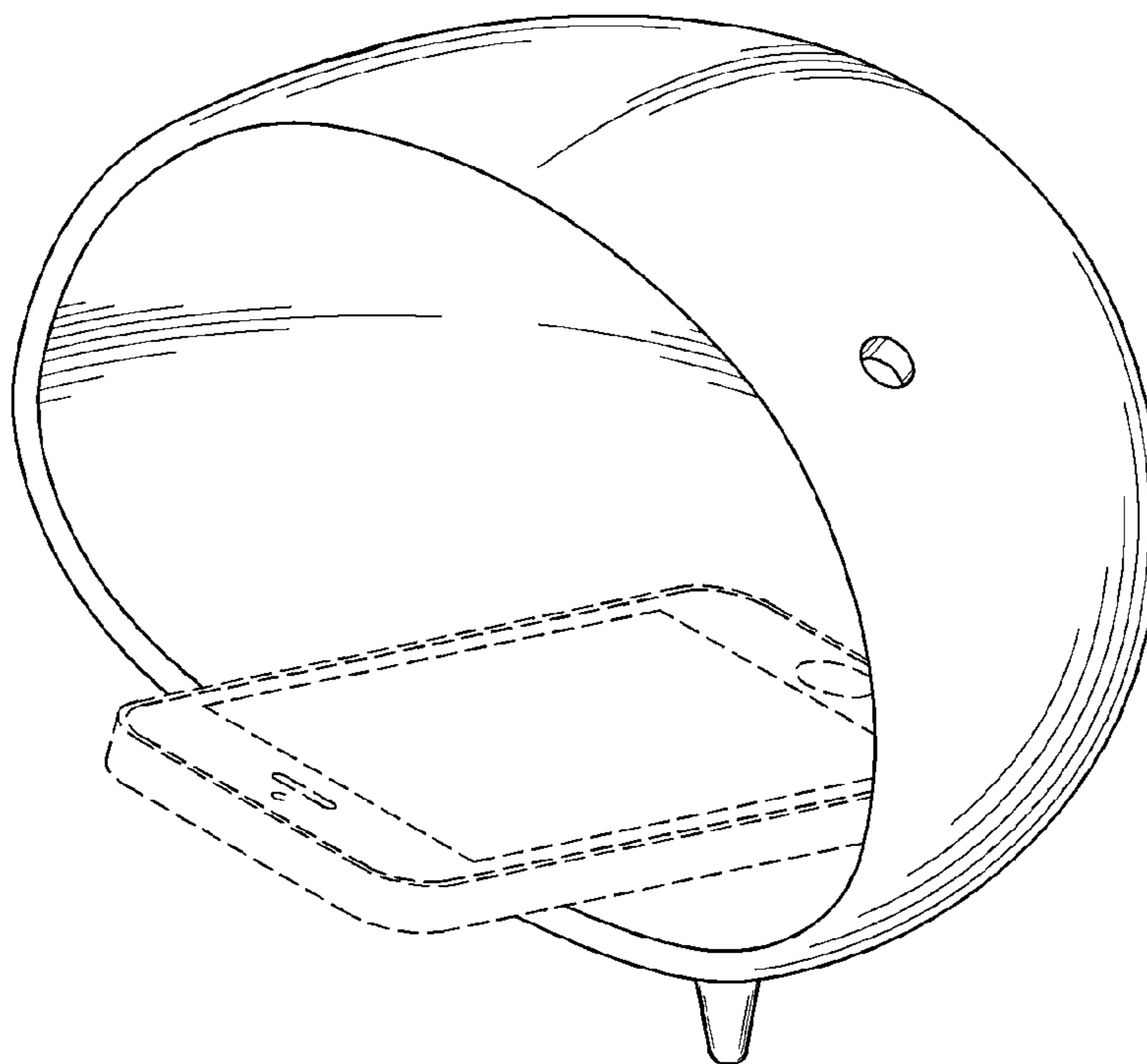
The ornamental design of a sound amplifier, as shown and described.

DESCRIPTION

FIG. 1 is a perspective view of sound amplifier in accordance with an embodiment of the present invention;
 FIG. 2 is a front view of the sound amplifier of FIG. 1;
 FIG. 3 is a rear view of the sound amplifier of FIG. 1;
 FIG. 4 is a left side view of the sound amplifier of FIG. 1;
 FIG. 5 is a right side view of the sound amplifier of FIG. 1;
 FIG. 6 is a top plan view of the sound amplifier of FIG. 1;
 FIG. 7 is a bottom plan view of the sound amplifier of FIG. 1;
 FIG. 8 is a verticality section view of the sound amplifier of FIG. 2; and,
 FIG. 9 is a view of using state of the sound amplifier of FIG. 1.

Broken lines are included herein for illustrative purposes only and form no part of the claimed design.

1 Claim, 5 Drawing Sheets



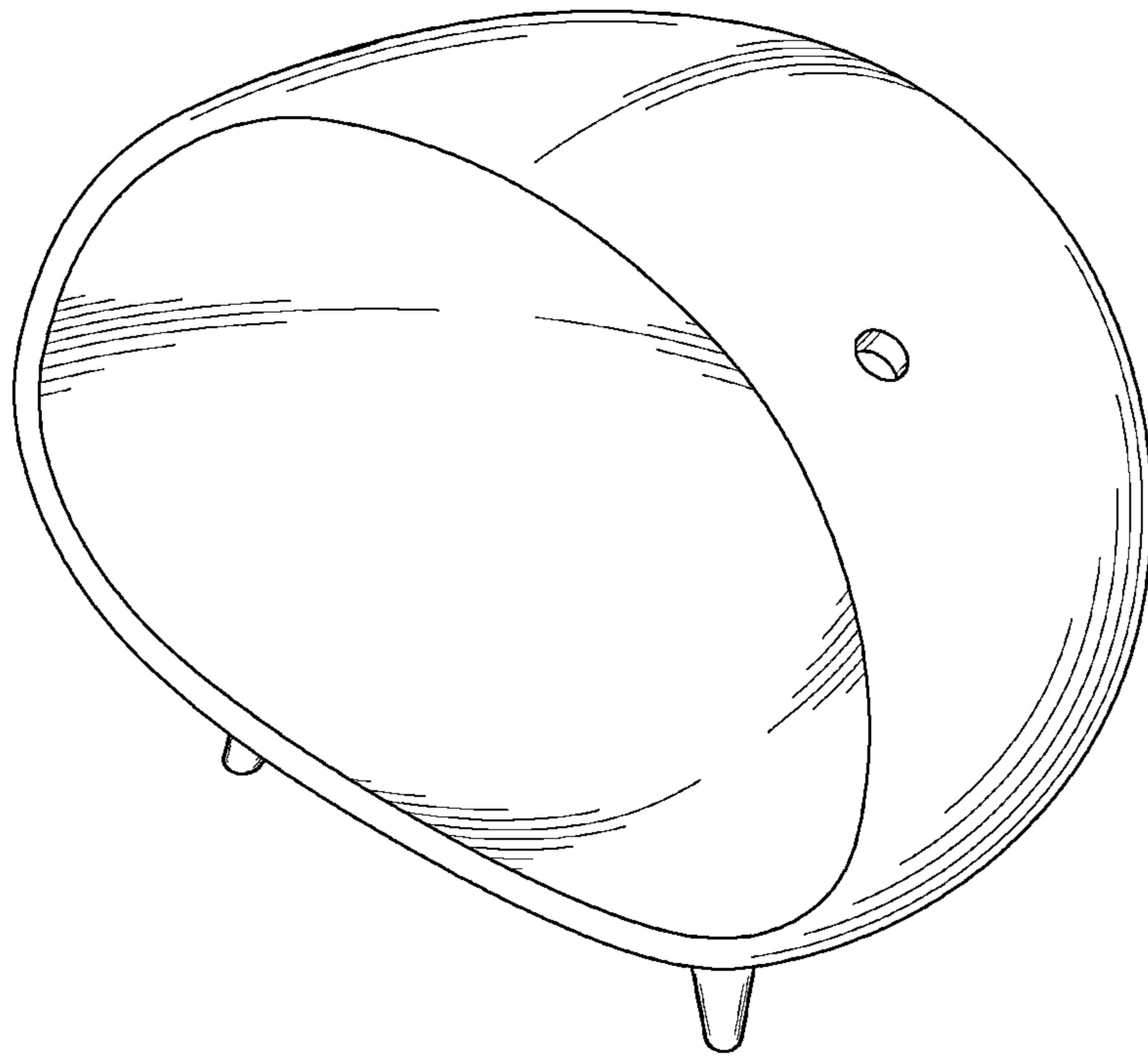


FIG. 1

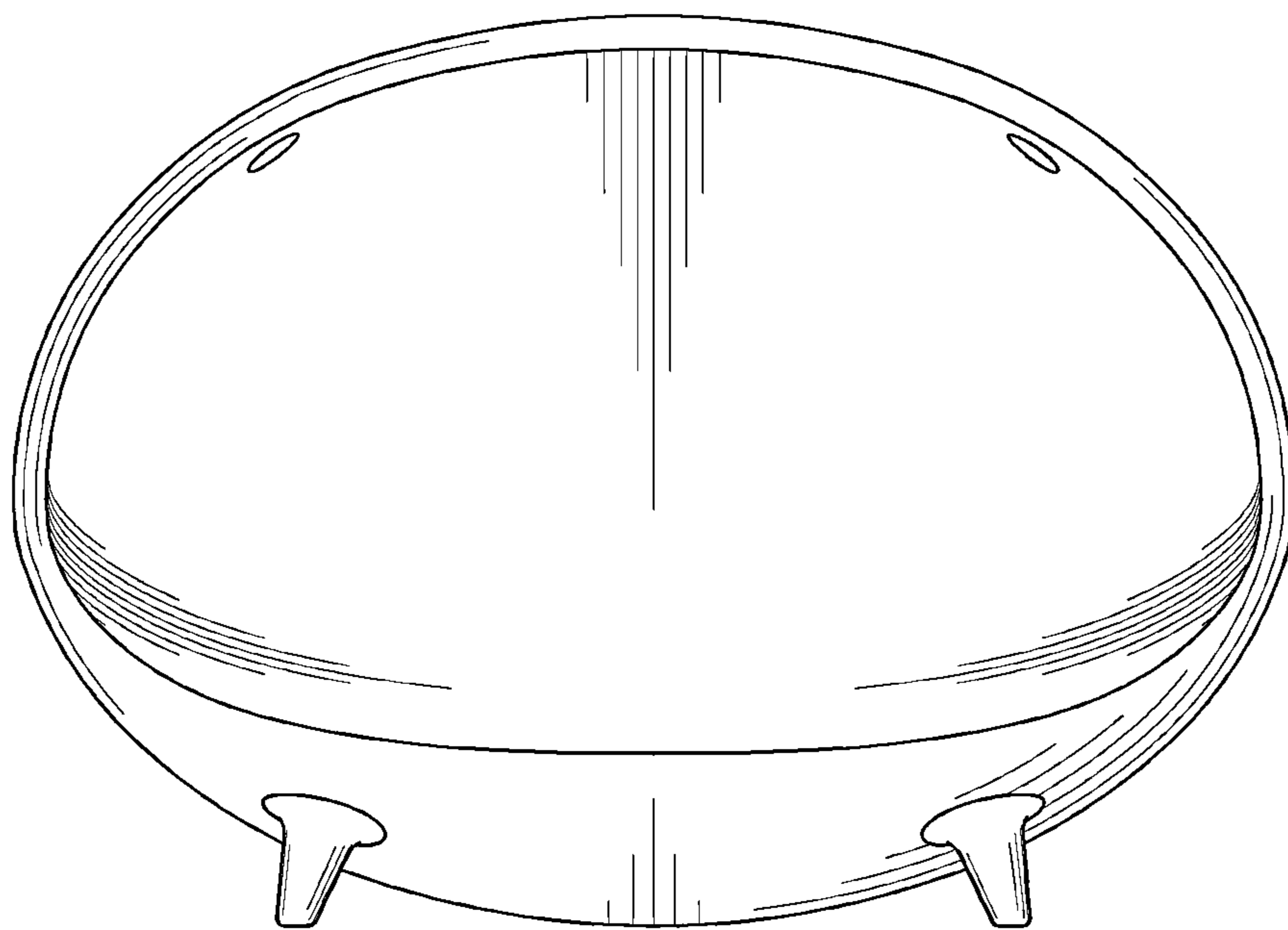


FIG. 2

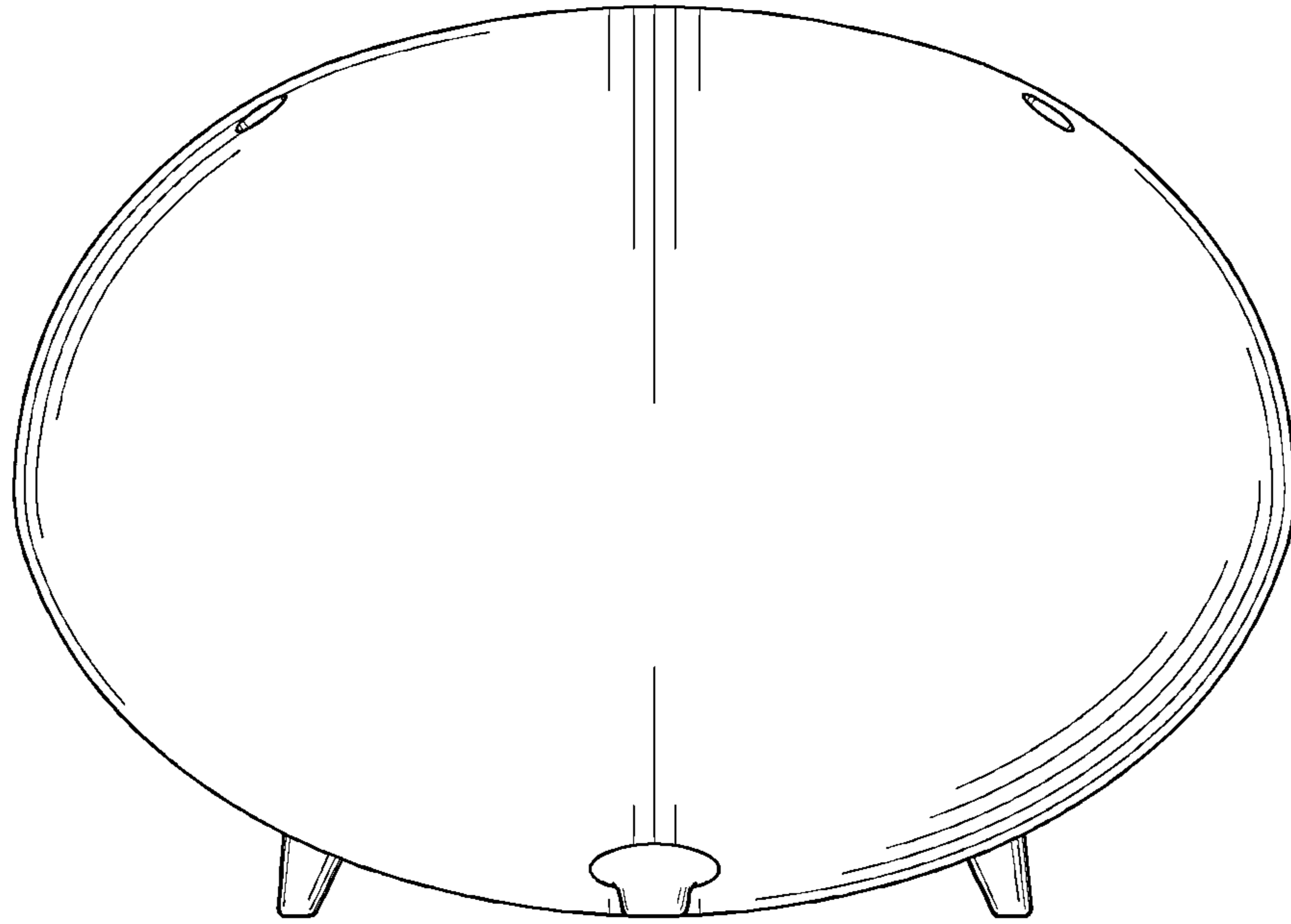


FIG. 3

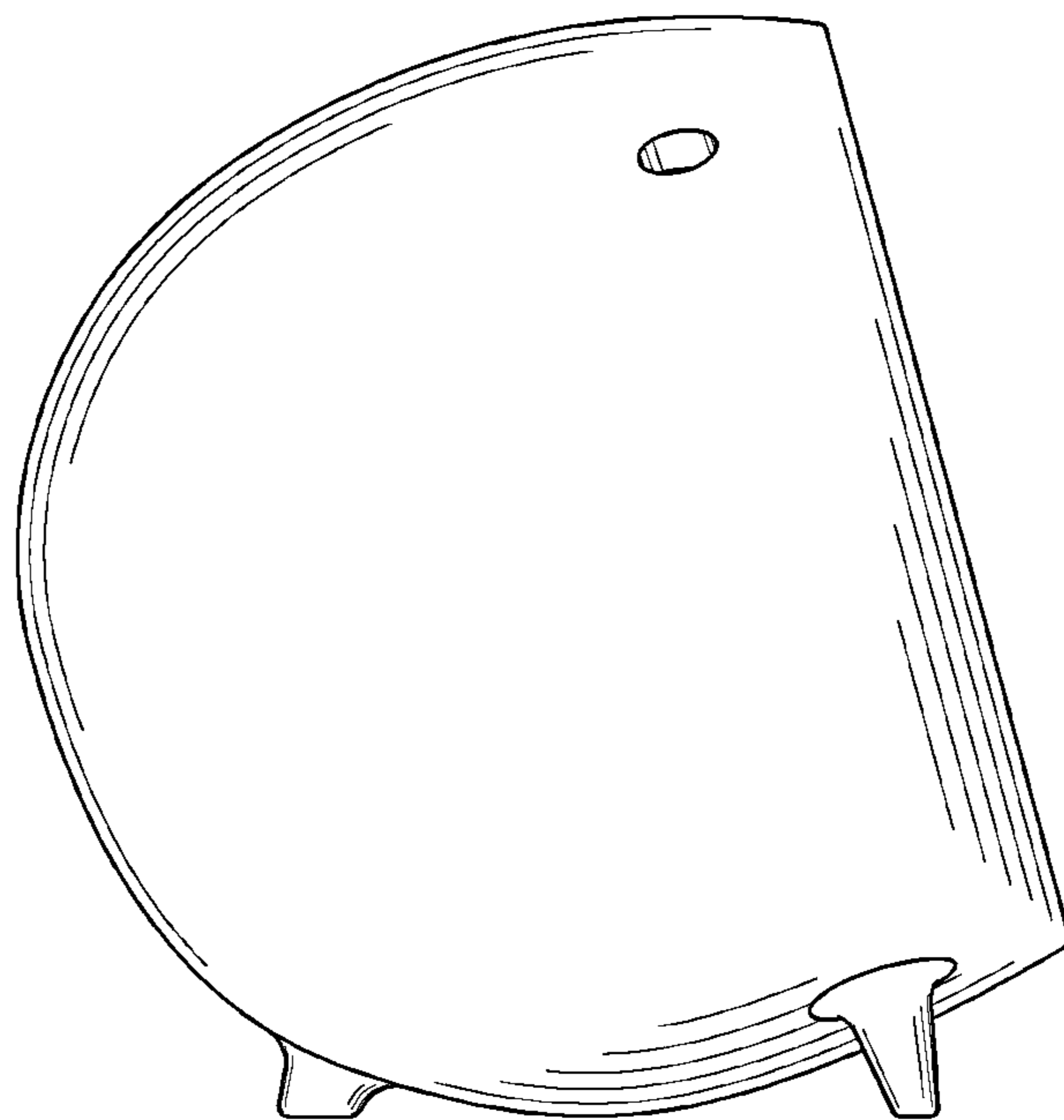


FIG. 4

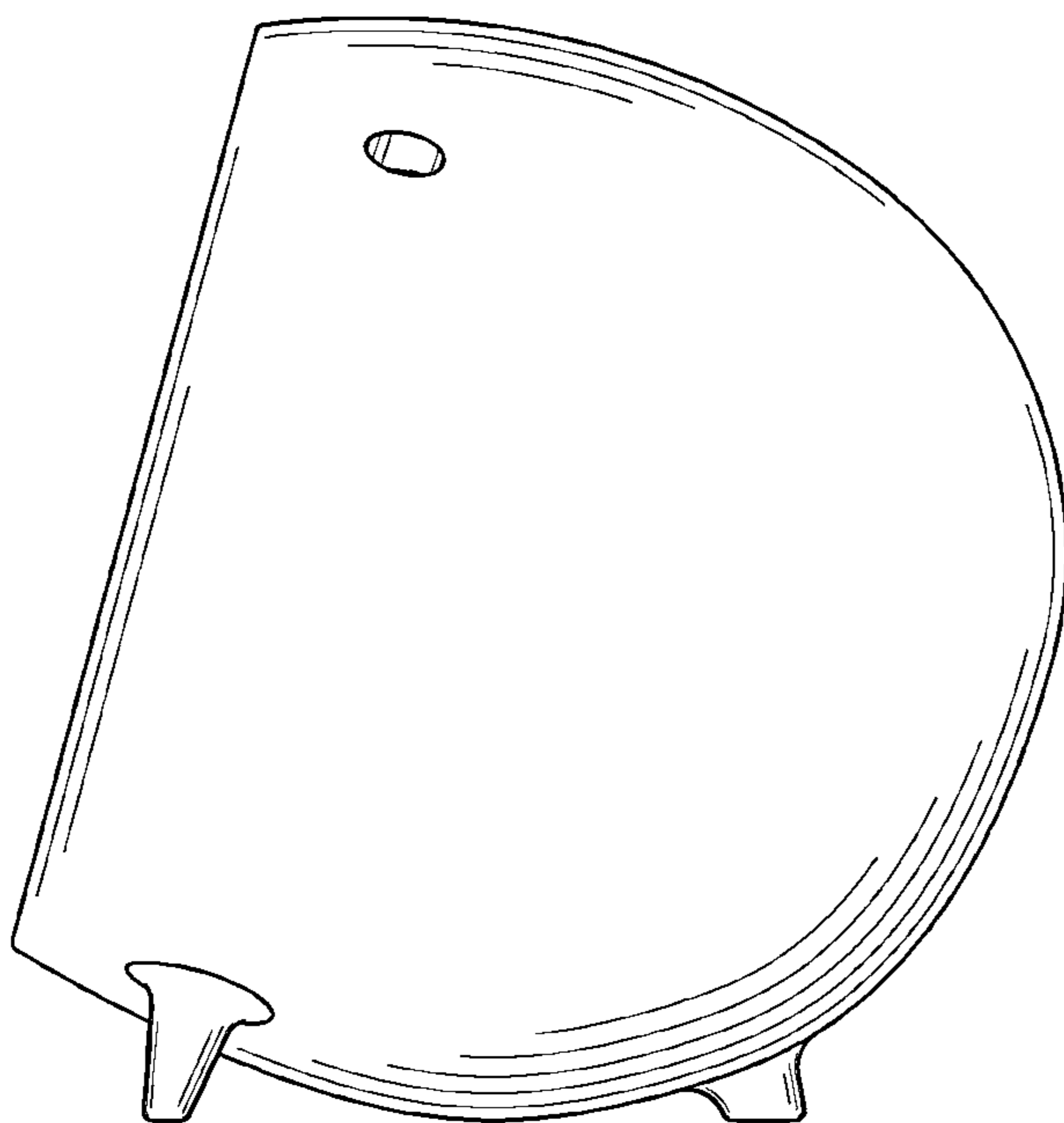


FIG. 5

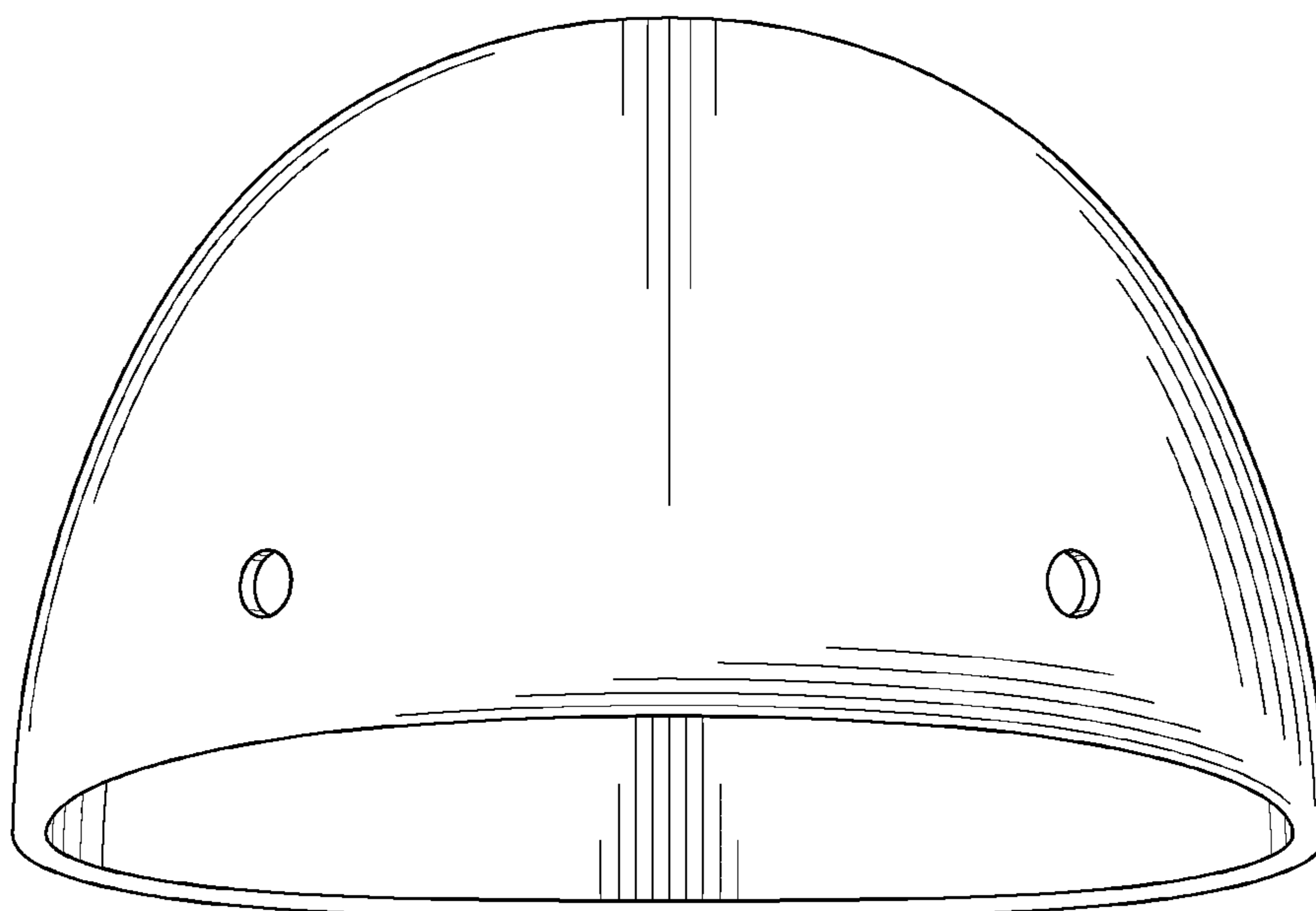


FIG. 6

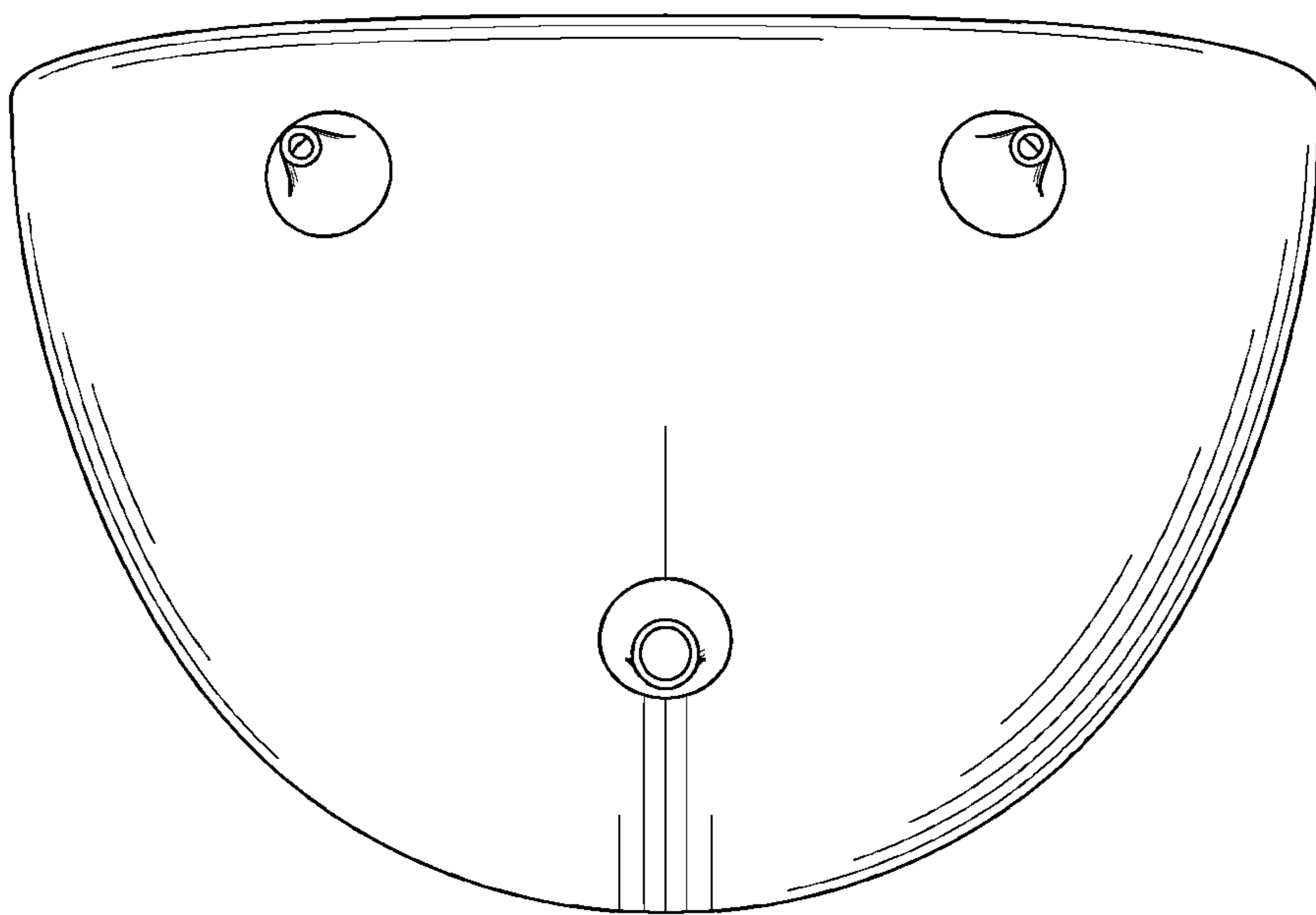


FIG. 7

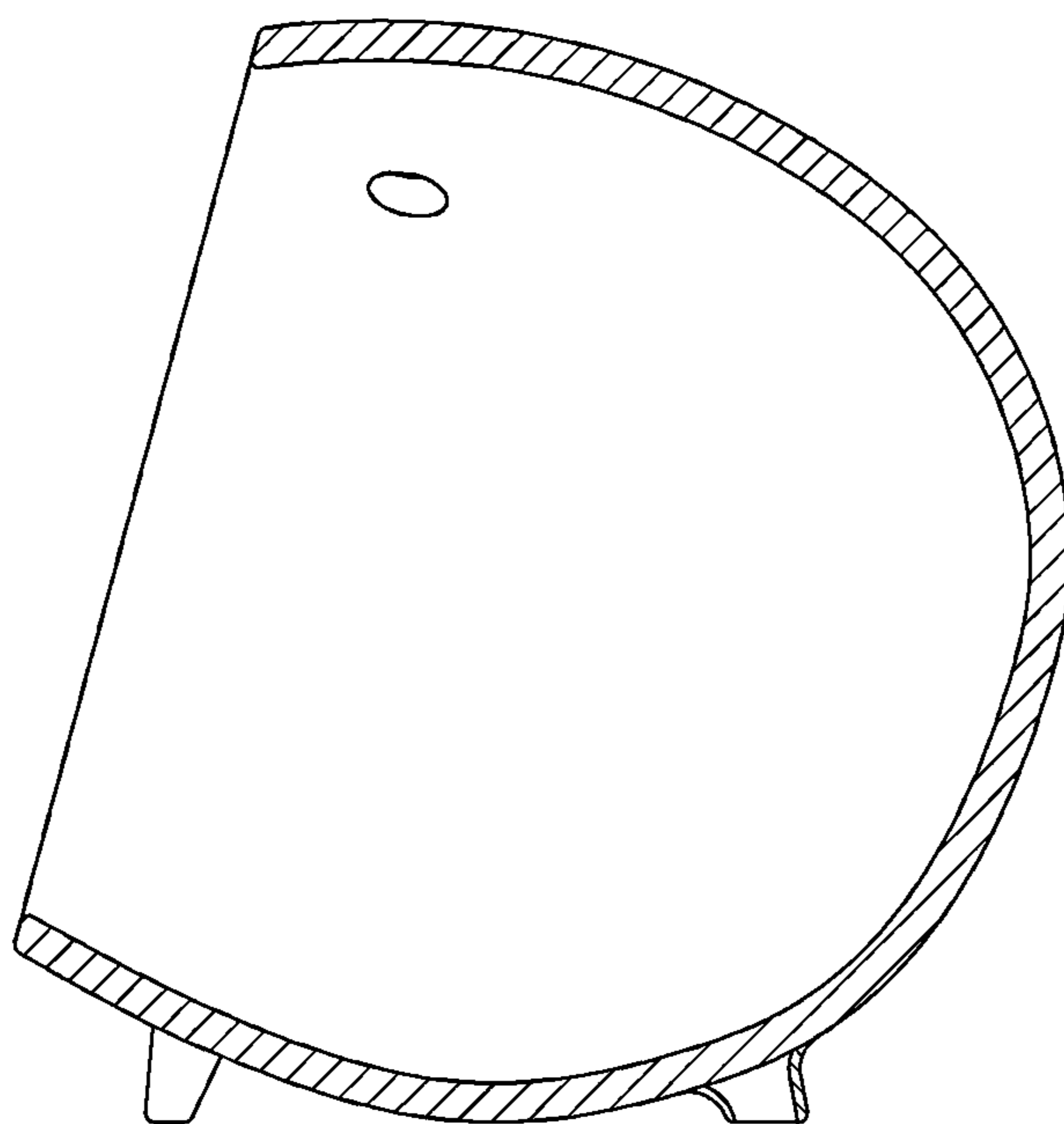


FIG. 8

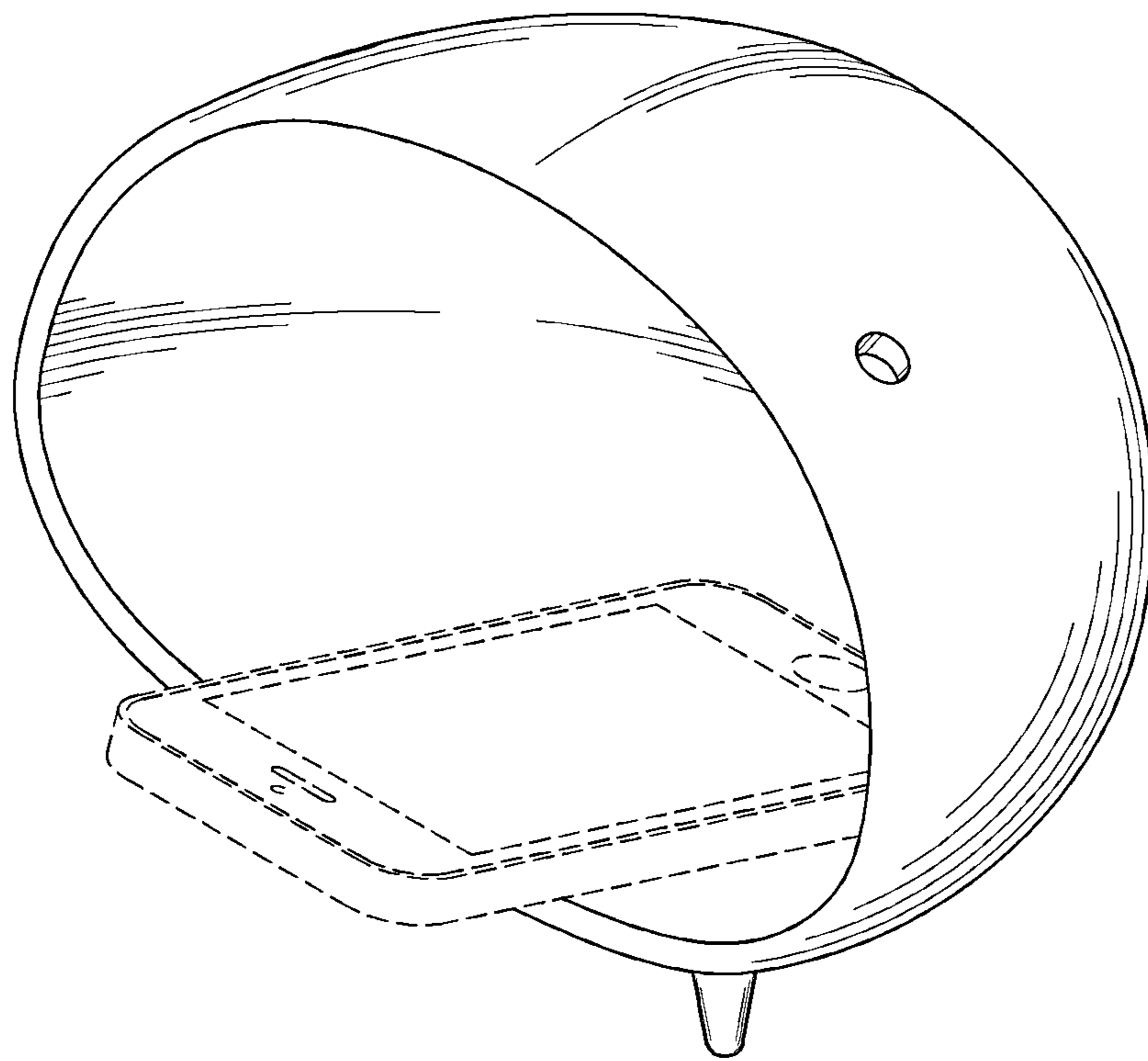


FIG. 9