



US00D740245S

(12) **United States Design Patent**
Kim

(10) **Patent No.:** **US D740,245 S**
(45) **Date of Patent:** **** Oct. 6, 2015**

(54) **TELEVISION RECEIVER**

(56) **References Cited**

(71) Applicant: **Samsung Electronics Co., Ltd.**,
Suwon-si (KR)

U.S. PATENT DOCUMENTS

(72) Inventor: **Jae-Hyung Kim**, Gawngju-Si (KR)

D457,864 S 5/2002 Bong et al.
D483,726 S 12/2003 Teng et al.
D509,198 S 9/2005 Ahn
D513,241 S 12/2005 Huang

(73) Assignee: **Samsung Electronics Co., Ltd.**,
Suwon-si (KR)

(Continued)

(**) Term: **14 Years**

Primary Examiner — Robert M Spear
Assistant Examiner — Eliza Bennett-Hattan
(74) *Attorney, Agent, or Firm* — NSIP Law

(21) Appl. No.: **29/480,827**

(57) **CLAIM**
The ornamental design for a television receiver, as shown and described.

(22) Filed: **Jan. 30, 2014**

DESCRIPTION

Related U.S. Application Data

(63) Continuation of application No. 29/454,041, filed on
May 6, 2013, now Pat. No. Des. 701,186.

FIG. 1 is a front perspective view of a television receiver, showing my new design;
FIG. 2 is a front view thereof;
FIG. 3 is a rear view thereof;
FIG. 4 is a left-side view thereof;
FIG. 5 is a right-side view thereof;
FIG. 6 is a top view thereof;
FIG. 7 is a bottom view thereof;
FIG. 8 is a rear perspective view thereof;
FIG. 9 is an enlarged view of a first portion encircled in FIG. 1;
FIG. 10 is an enlarged view of a second portion encircled in FIG. 1;
FIG. 11 is an enlarged view of the portion encircled in FIG. 2;
FIG. 12 is an enlarged view of a first portion encircled in FIG. 4;
FIG. 13 is an enlarged view of the portion encircled in FIG. 6;
FIG. 14 is an enlarged view of a second portion encircled in FIG. 4; and,
FIG. 15 is an enlarged view of the portion encircled in FIG. 5.
The broken lines in the figures show portions of the television receiver which form no part of the claimed design.
The dot-dot-dash broken lines encircling portions of the claimed design that are illustrated in enlargements form no part of the claimed design.
The dot-dash lines in the figures represent an unclaimed boundary line and form no part of the claimed design.

(30) **Foreign Application Priority Data**

Nov. 21, 2012 (KR) 2012-0055638

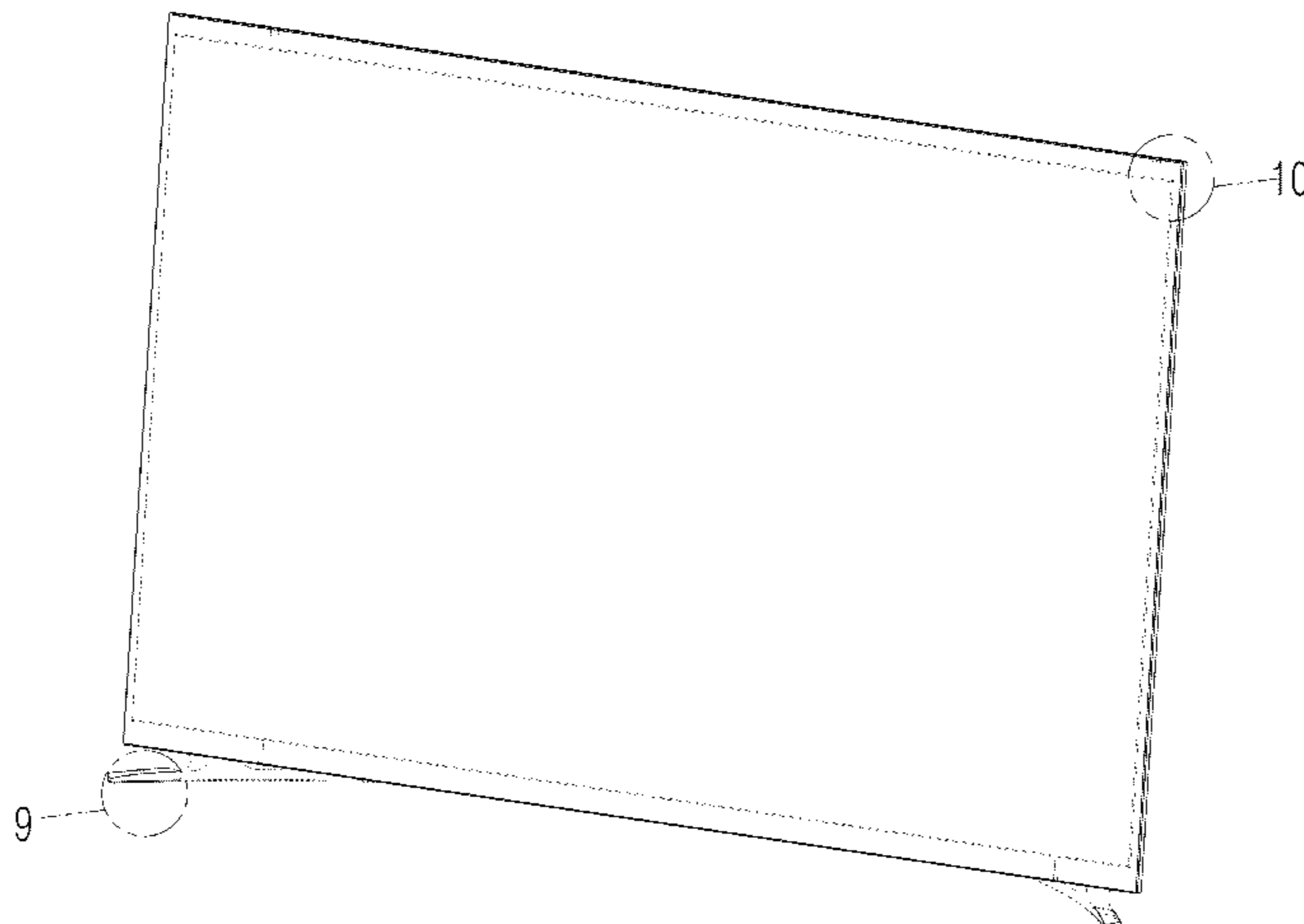
(51) **LOC (10) Cl.** **14-03**

(52) **U.S. Cl.**
USPC **D14/126**

(58) **Field of Classification Search**
USPC D14/126, 127, 358, 214, 172, 188, 204,
D14/221, 224, 203.3, 341, 128, 129, 239,
D14/371, 136; 312/7.2; 348/836, 838, 180,
348/184, 325, 739; 341/12; 248/917-924,
248/465; 345/104, 133, 156, 168, 87, 173;
720/605, 600, 655; 455/347; D9/430,
D9/600; 273/148 B

See application file for complete search history.

1 Claim, 13 Drawing Sheets



(56)

References Cited

U.S. PATENT DOCUMENTS

D525,603 S 7/2006 Williams
 D548,206 S 8/2007 Han
 D548,228 S 8/2007 Tanigawa et al.
 D581,378 S 11/2008 Chiu
 D620,901 S * 8/2010 Won et al. D14/126
 D626,924 S 11/2010 Miyaji
 D639,760 S 6/2011 Tierney et al.
 D648,296 S 11/2011 Lee et al.
 D652,811 S 1/2012 Kim et al.
 D656,115 S * 3/2012 Kim et al. D14/126
 D656,116 S * 3/2012 Kim et al. D14/126
 D656,471 S * 3/2012 Han et al. D14/126
 D656,913 S * 4/2012 Ann et al. D14/126
 D659,661 S 5/2012 Lim et al.
 D661,271 S * 6/2012 Hwangbo et al. D14/126
 D661,272 S 6/2012 Kim et al.

D666,165 S 8/2012 Kim et al.
 D671,084 S 11/2012 Kim et al.
 D675,175 S 1/2013 Kim et al.
 D680,509 S 4/2013 Hwangbo et al.
 D680,979 S 4/2013 Chen
 D682,227 S * 5/2013 Lee et al. D14/126
 D691,102 S 10/2013 Park et al.
 D695,700 S 12/2013 Seong
 D699,699 S 2/2014 Park et al.
 D699,713 S 2/2014 Seong
 D701,186 S 3/2014 Kim
 D701,844 S 4/2014 Han
 D702,199 S 4/2014 Park et al.
 D703,168 S * 4/2014 Won et al. D14/126
 D703,169 S * 4/2014 Kim et al. D14/126
 D708,157 S * 7/2014 Park D14/126
 D708,596 S * 7/2014 Park D14/126
 D709,842 S * 7/2014 Lee et al. D14/126

* cited by examiner

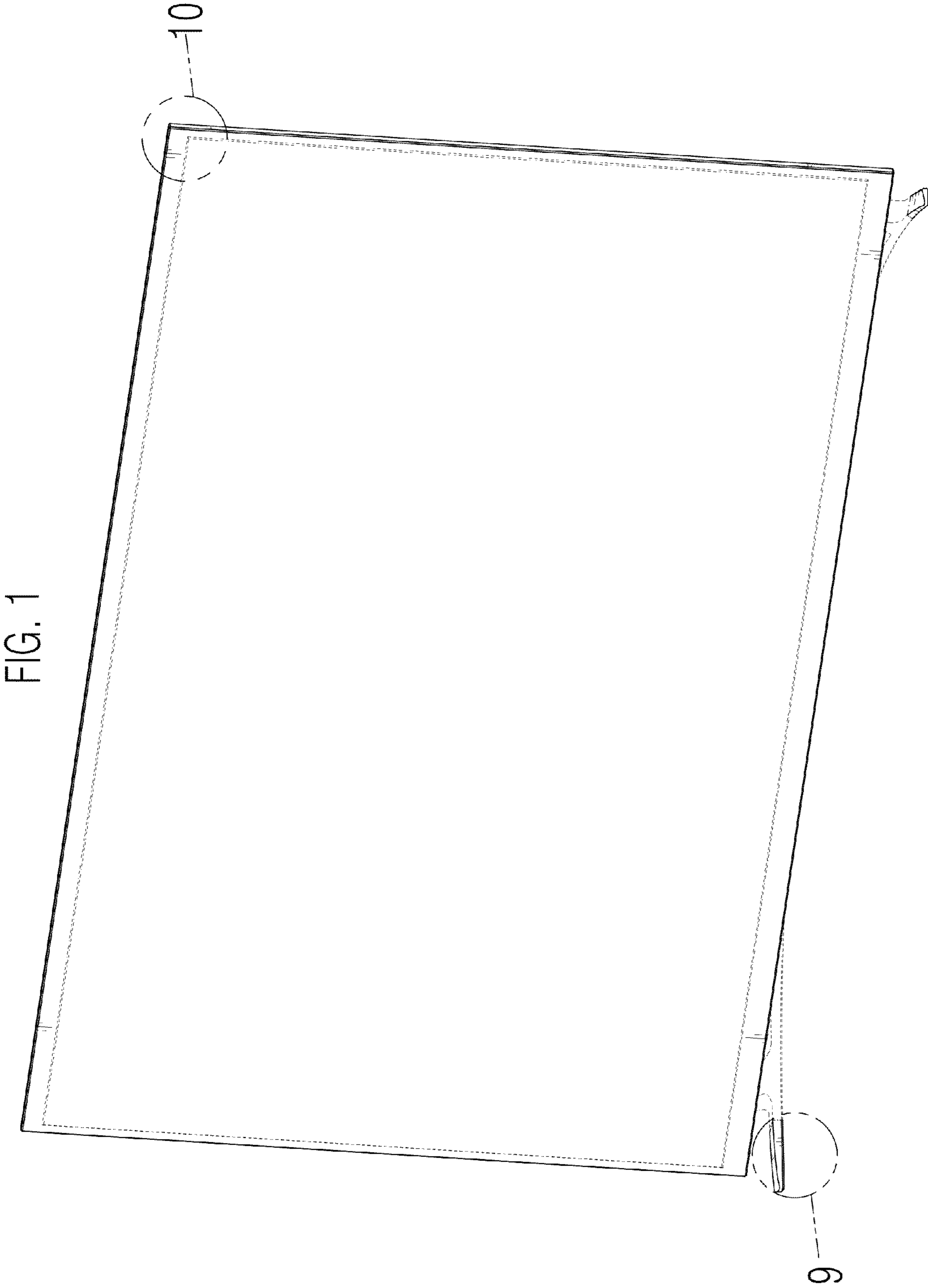


FIG. 2

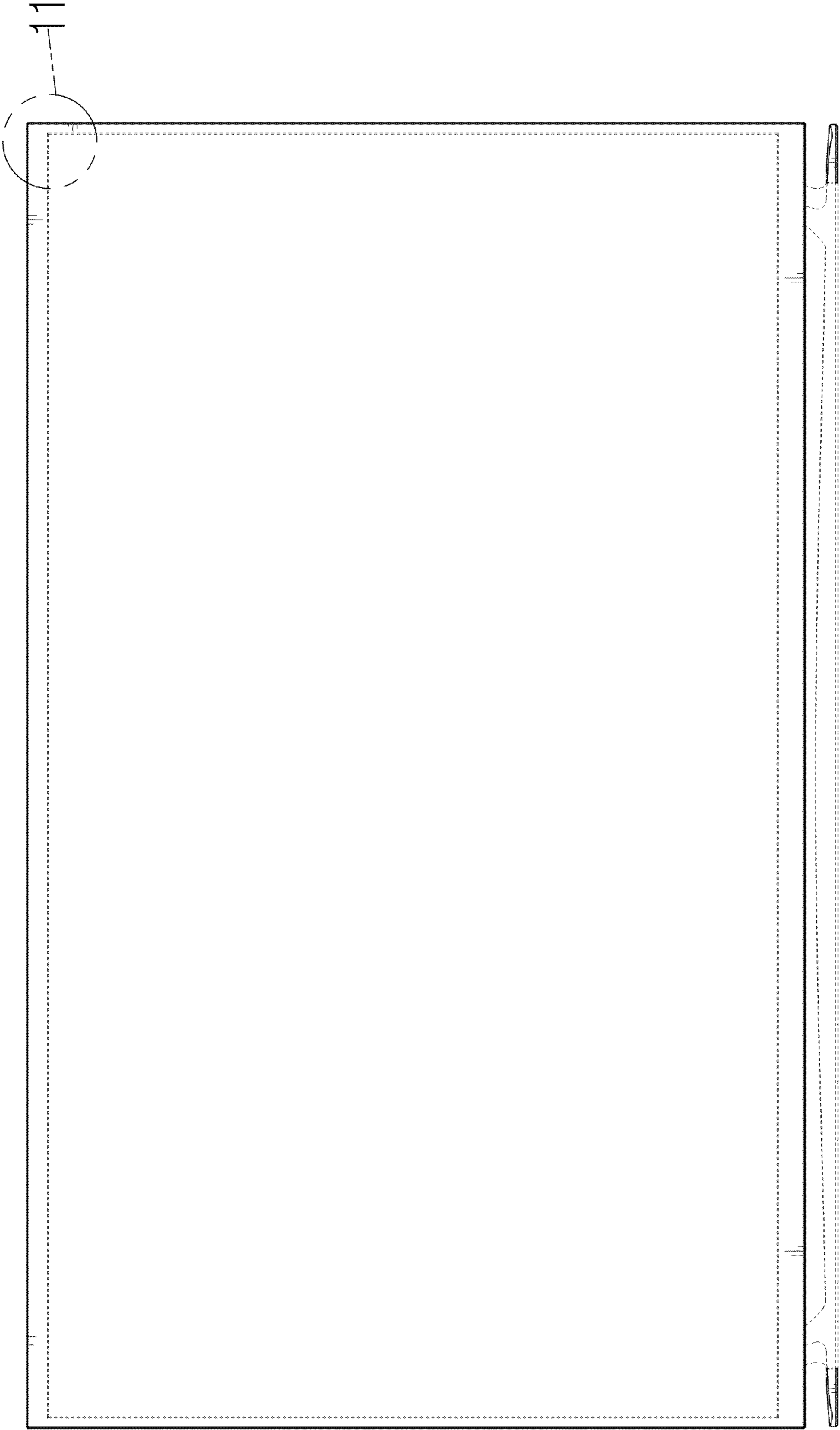


FIG. 3

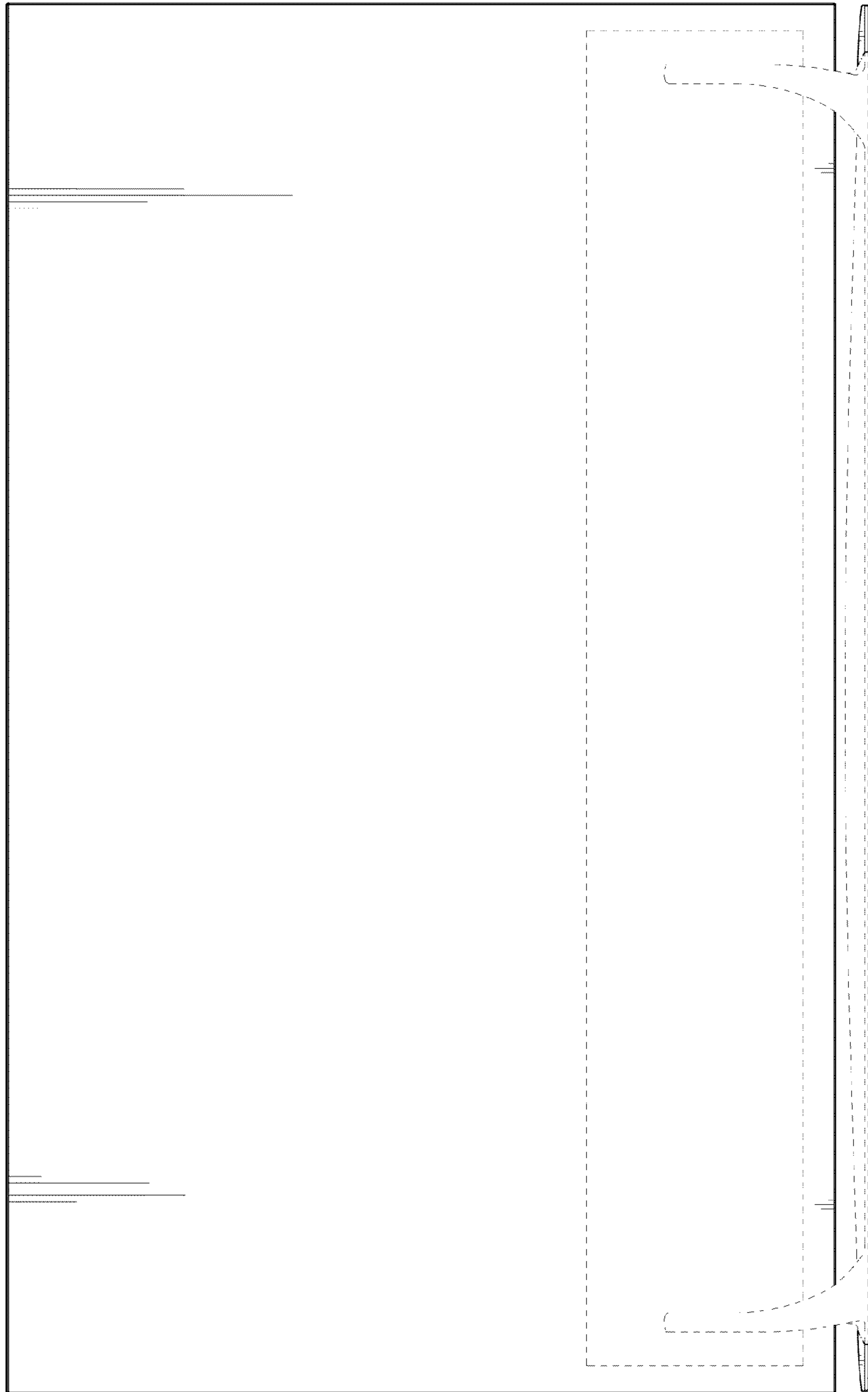


FIG. 5

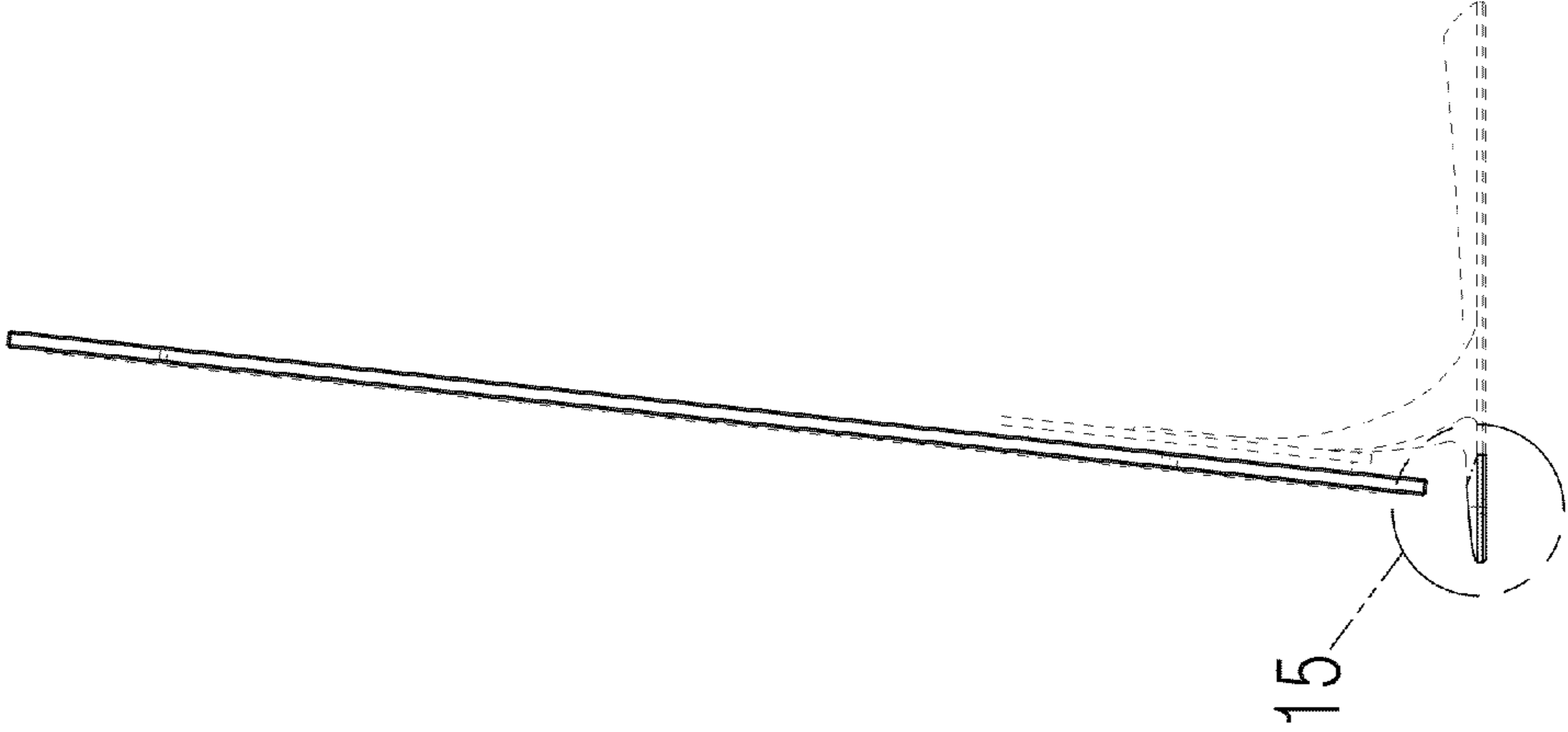


FIG. 4

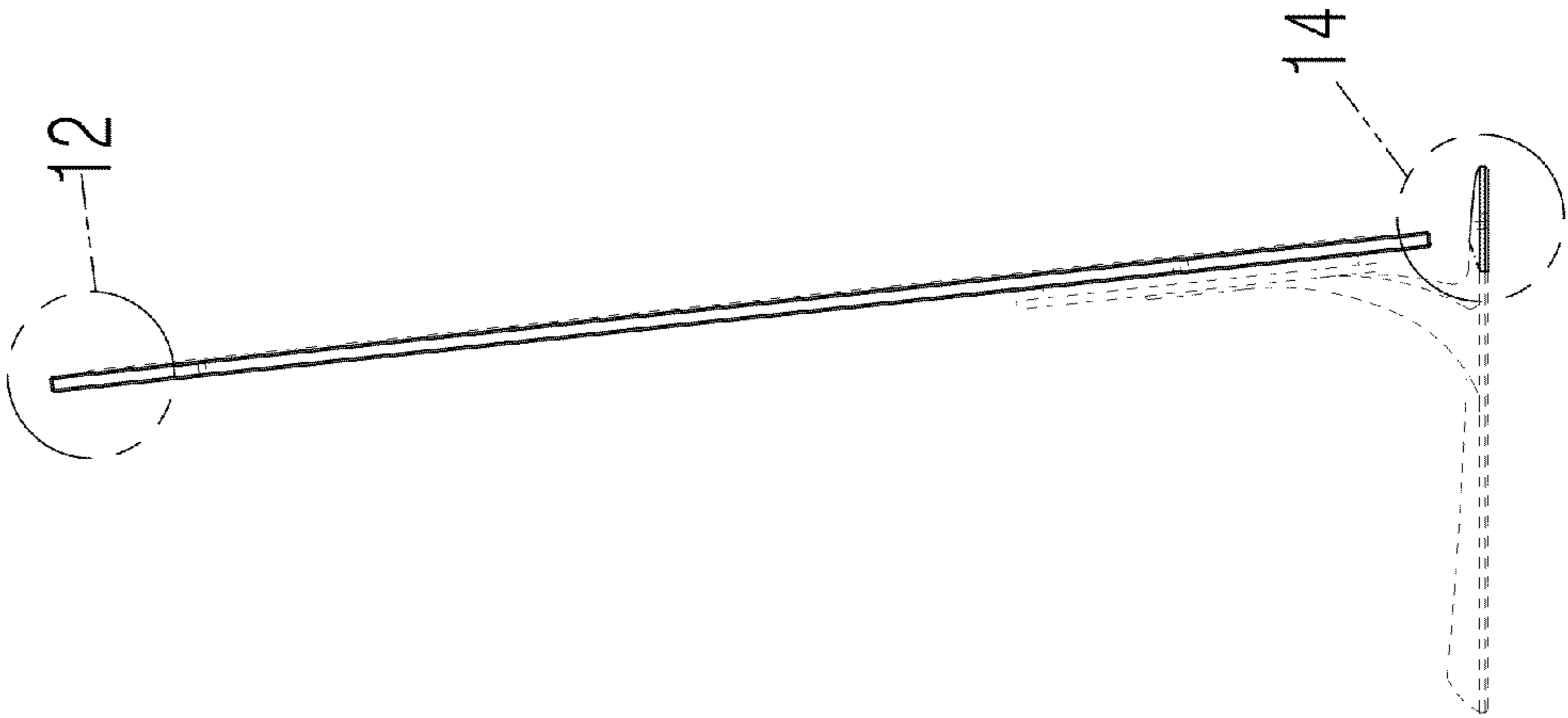


FIG. 6

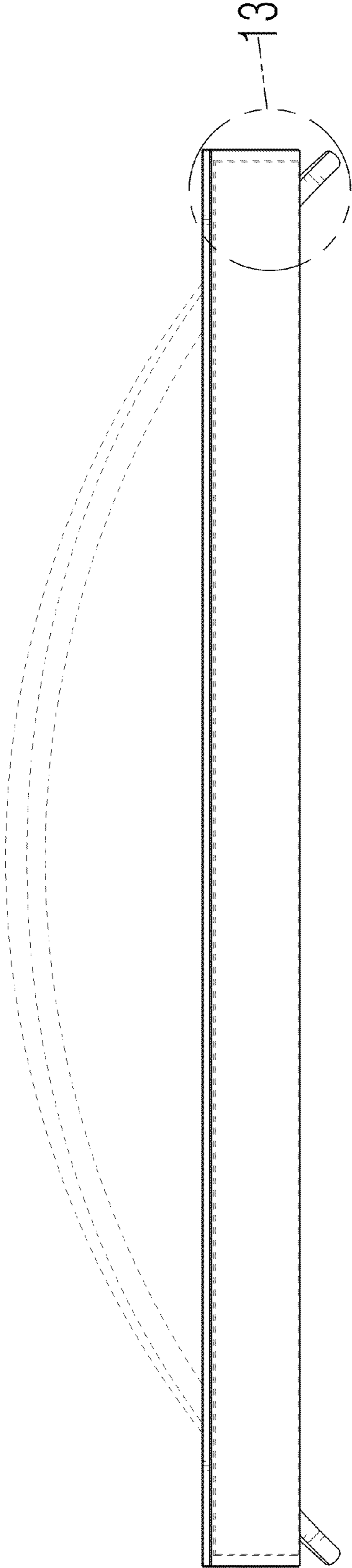
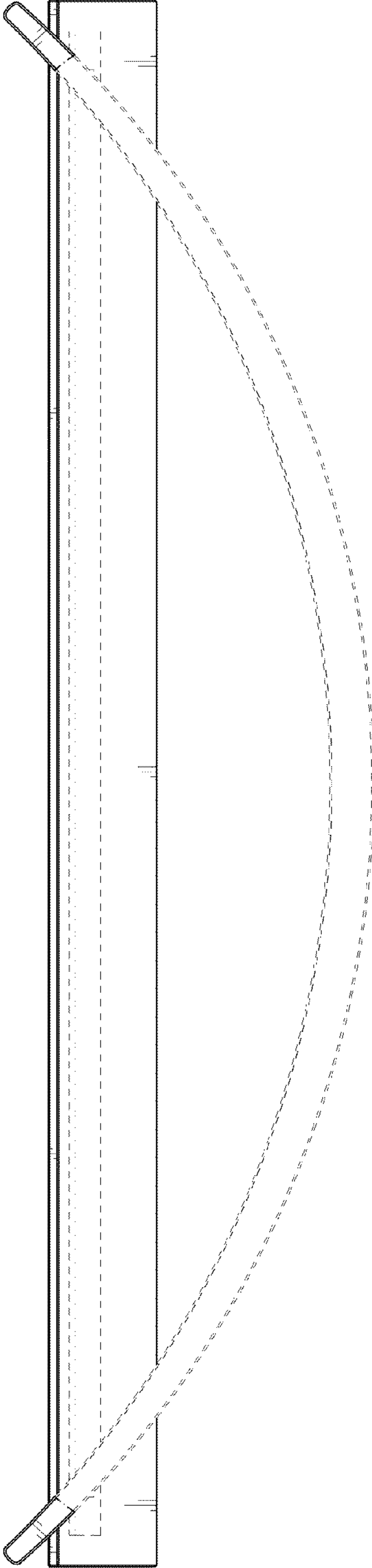


FIG. 7



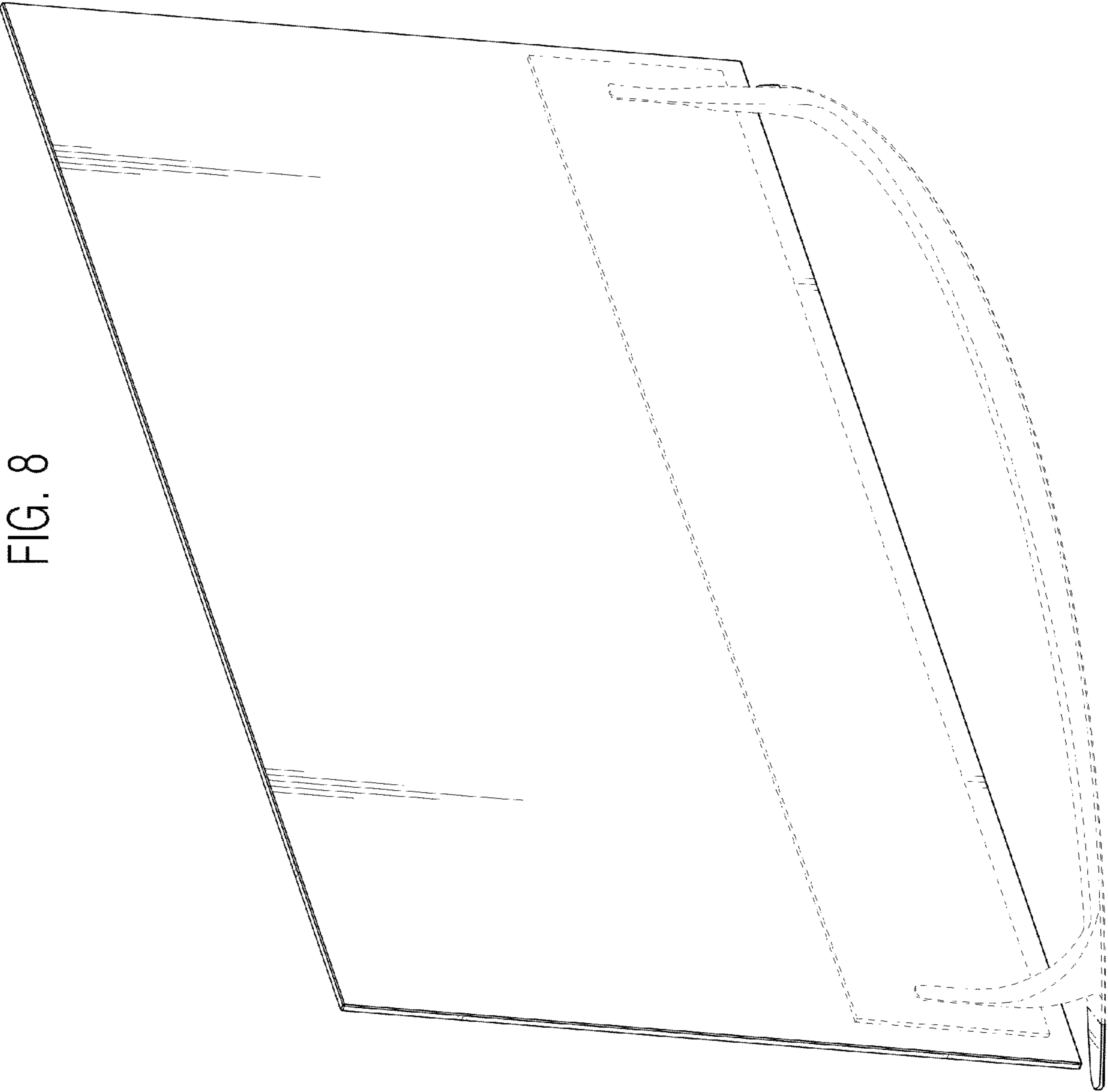


FIG. 8

FIG. 9

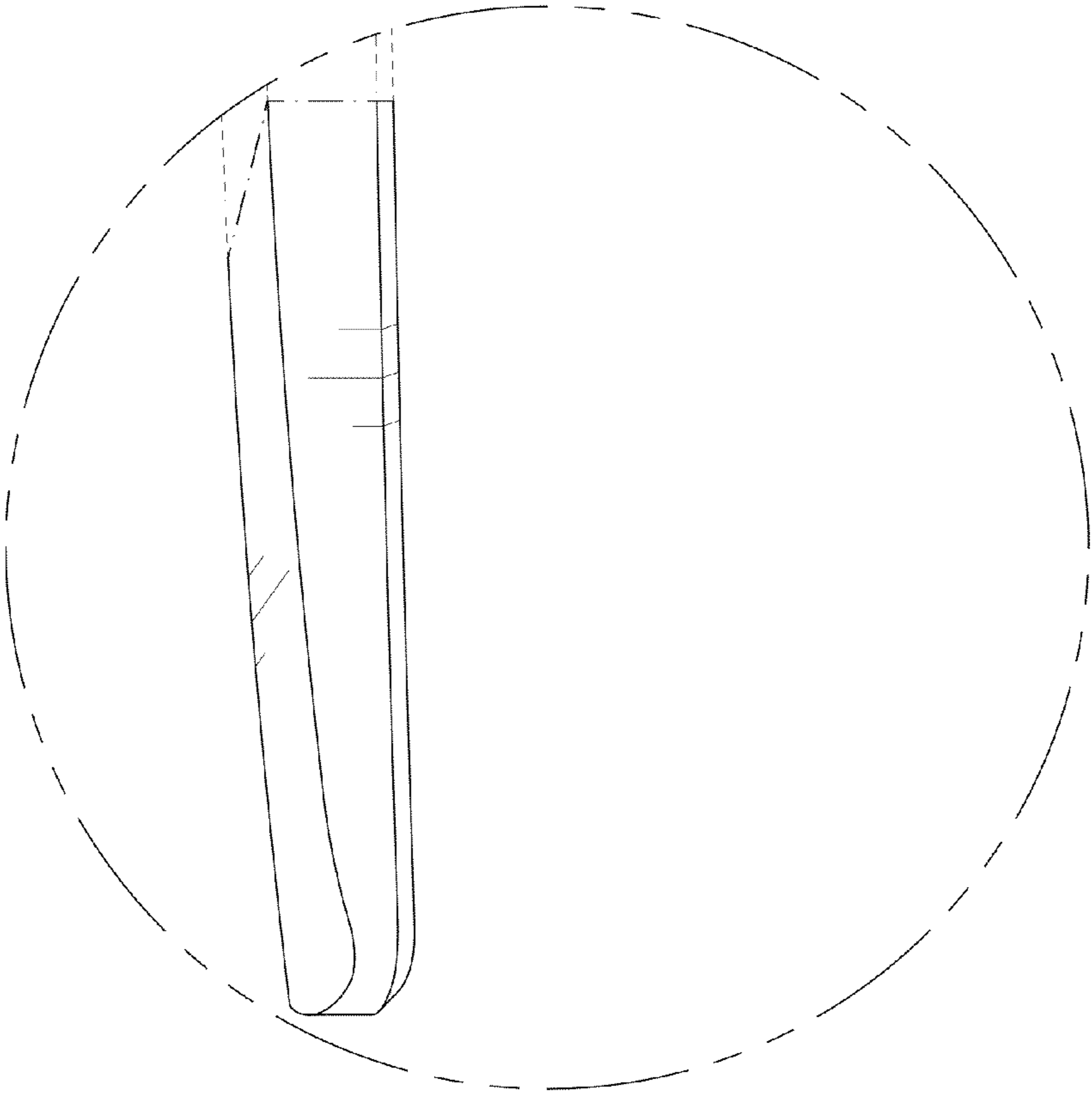


FIG. 10

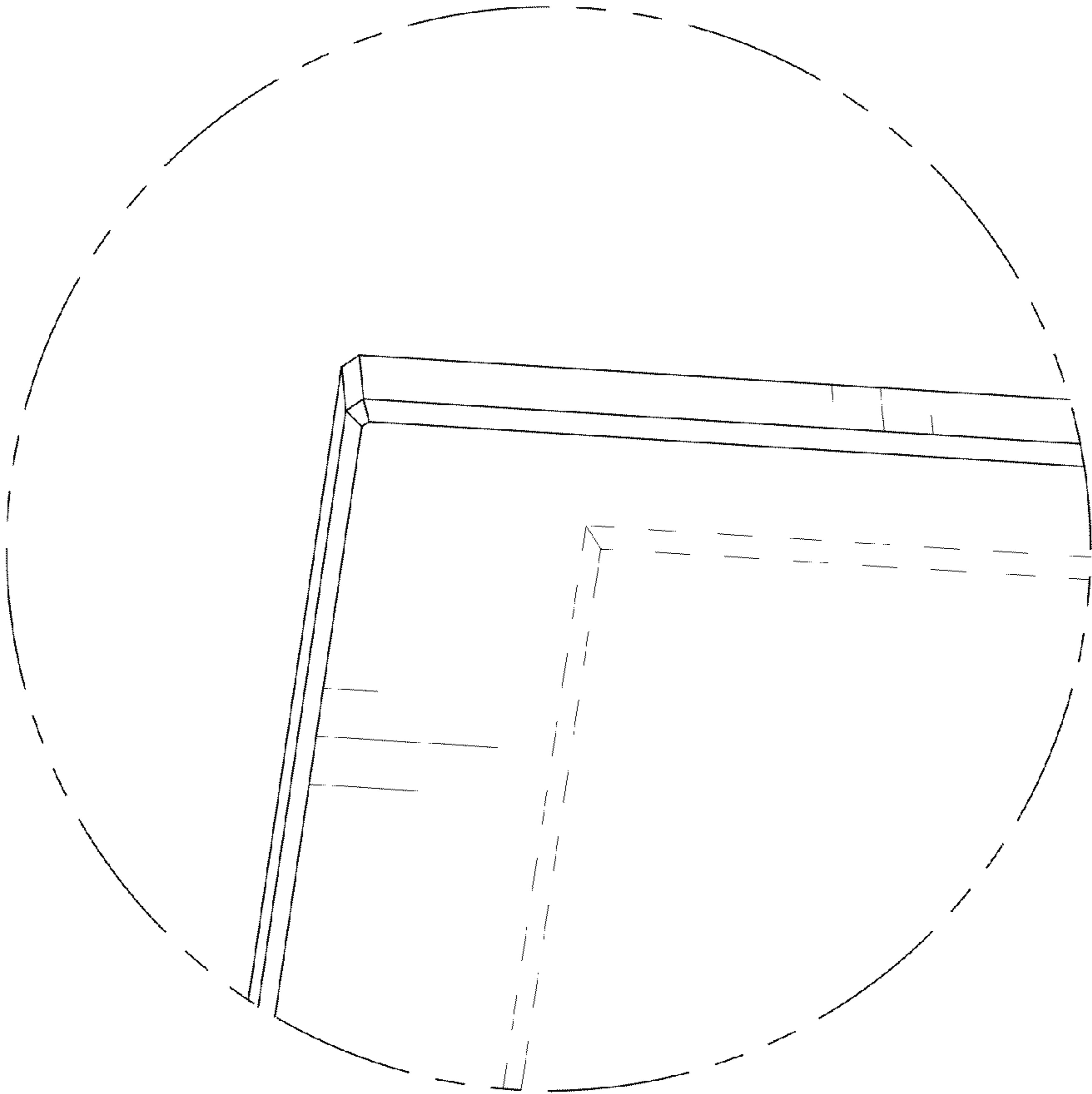


FIG. 11

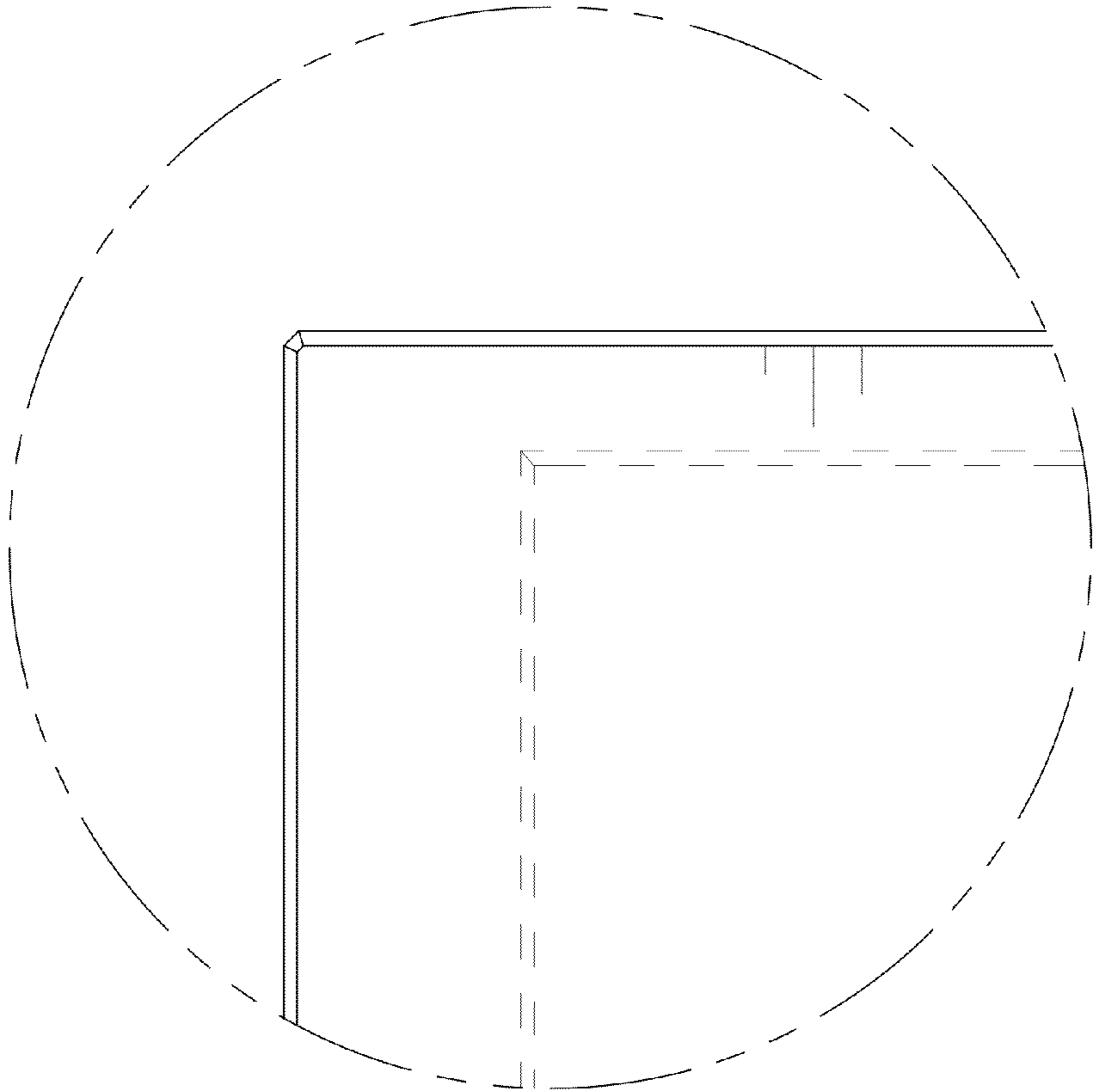


FIG. 12

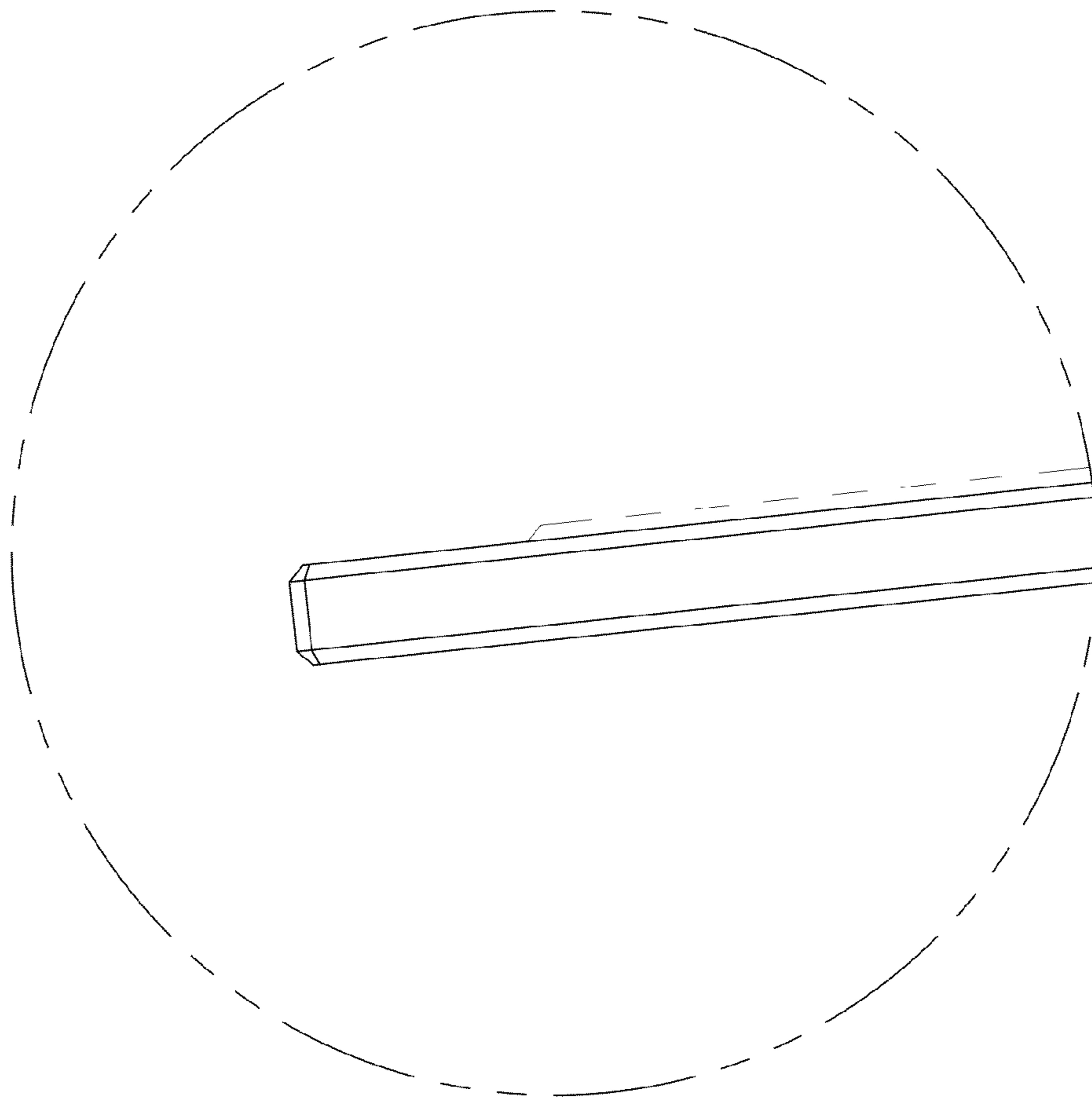


FIG. 13

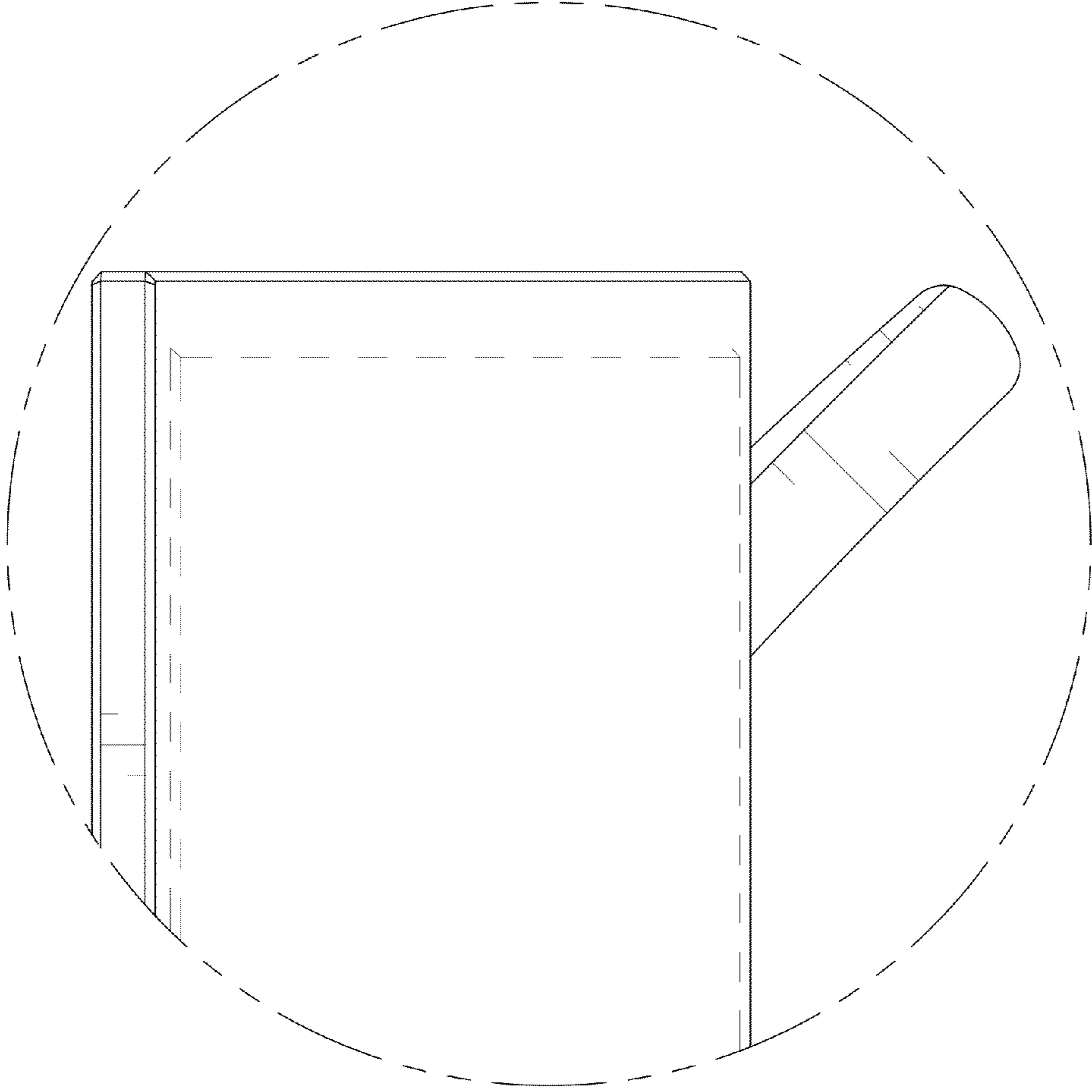


FIG. 14

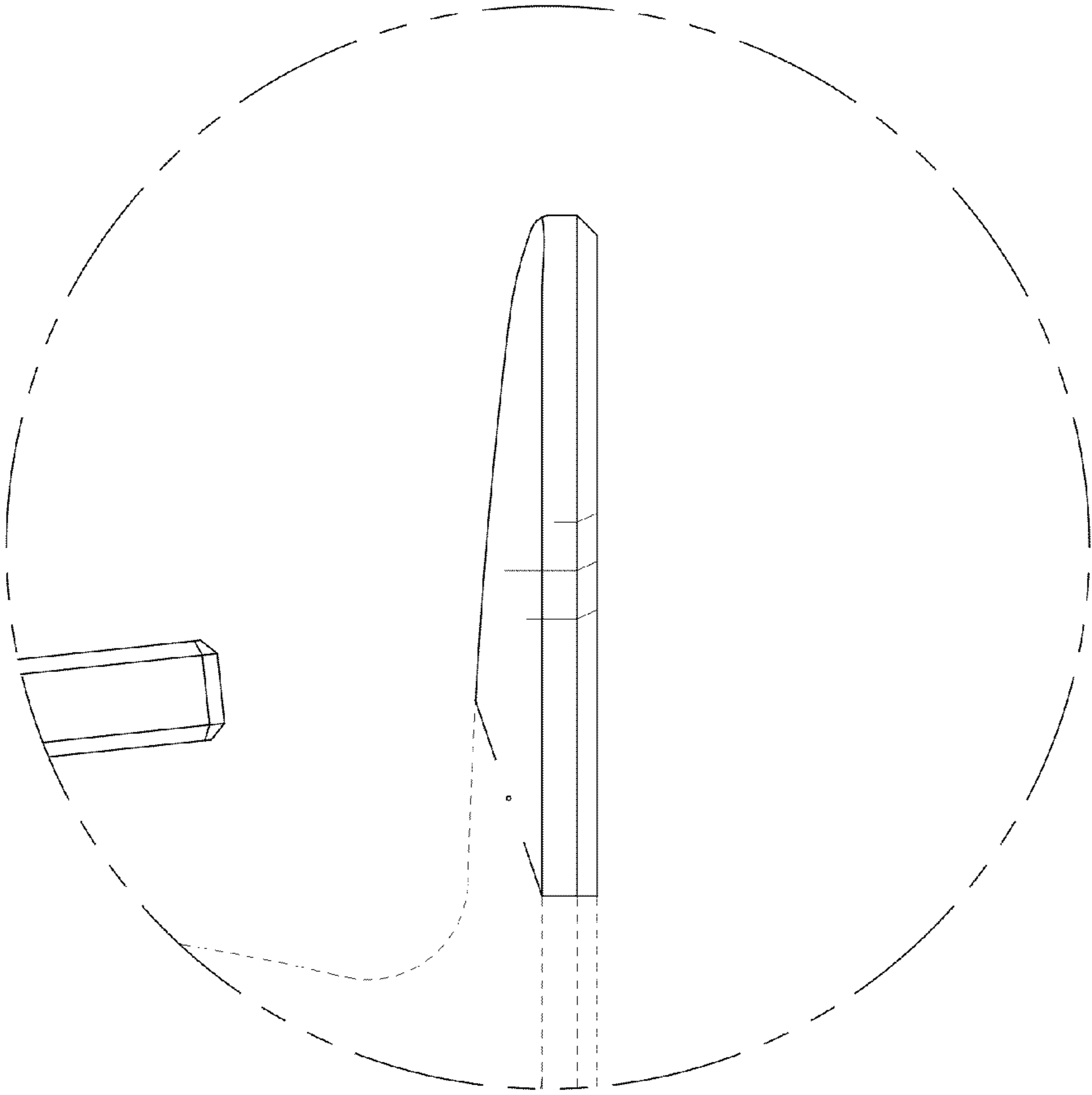


FIG. 15

