



US00D740240S

(12) **United States Design Patent**
Chen et al.

(10) **Patent No.:** **US D740,240 S**
(45) **Date of Patent:** **** Oct. 6, 2015**

(54) **LIGHT-EMITTING DIODE DEVICE**

(71) Applicant: **EPISTAR CORPORATION**, Hsinchu (TW)

(72) Inventors: **Chao Hsing Chen**, Hsinchu (TW); **Tsun Kai Ko**, Hsinchu (TW); **Chien Fu Shen**, Hsinchu (TW); **Jia Kuen Wang**, Hsinchu (TW); **Hung Che Chen**, Hsinchu (TW); **Chun Teng Ko**, Hsinchu (TW); **Chien Chih Liao**, Hsinchu (TW)

(73) Assignee: **Epistar Corporation**, Hsinchu (TW)

(**) Term: **14 Years**

(21) Appl. No.: **29/514,131**

(22) Filed: **Jan. 8, 2015**

Related U.S. Application Data

(62) Division of application No. 29/462,404, filed on Aug. 2, 2013, now Pat. No. Des. 721,663.

(51) **LOC (10) Cl.** **13-03**

(52) **U.S. Cl.**
USPC **D13/180**

(58) **Field of Classification Search**
USPC D13/180; D26/1
CPC ... H01L 25/167; H01L 25/0753; H01L 27/15;
H01L 27/156; H01L 31/02; H01L 33/00;
H01L 33/04; H01L 33/08; H01L 33/10;
H01L 33/20; H01L 33/38; H01L 33/42;
H01L 33/48; H01L 33/62; H01L 33/483;
H01L 33/486; F21K 9/00; F21K 9/30; F21K
9/54

See application file for complete search history.

(56) **References Cited**

U.S. PATENT DOCUMENTS

6,844,571 B2 1/2005 Krames et al.
7,696,522 B2 4/2010 Ono et al.

7,795,610 B2 9/2010 Kim et al.
D653,630 S 2/2012 Liu
8,188,493 B2 5/2012 Li et al.
D674,356 S 1/2013 Inoue et al.
D681,567 S 5/2013 Wang et al.
D687,396 S 8/2013 Chen et al.
8,546,840 B2 * 10/2013 Inoue et al. 257/99
D698,743 S 2/2014 Hon et al.
D721,663 S * 1/2015 Chen et al. D13/180
D721,664 S * 1/2015 Chen et al. D13/180

(Continued)

Primary Examiner — Selina Sikder

(74) *Attorney, Agent, or Firm* — Muncy, Geissler, Olds & Lowe, P.C.

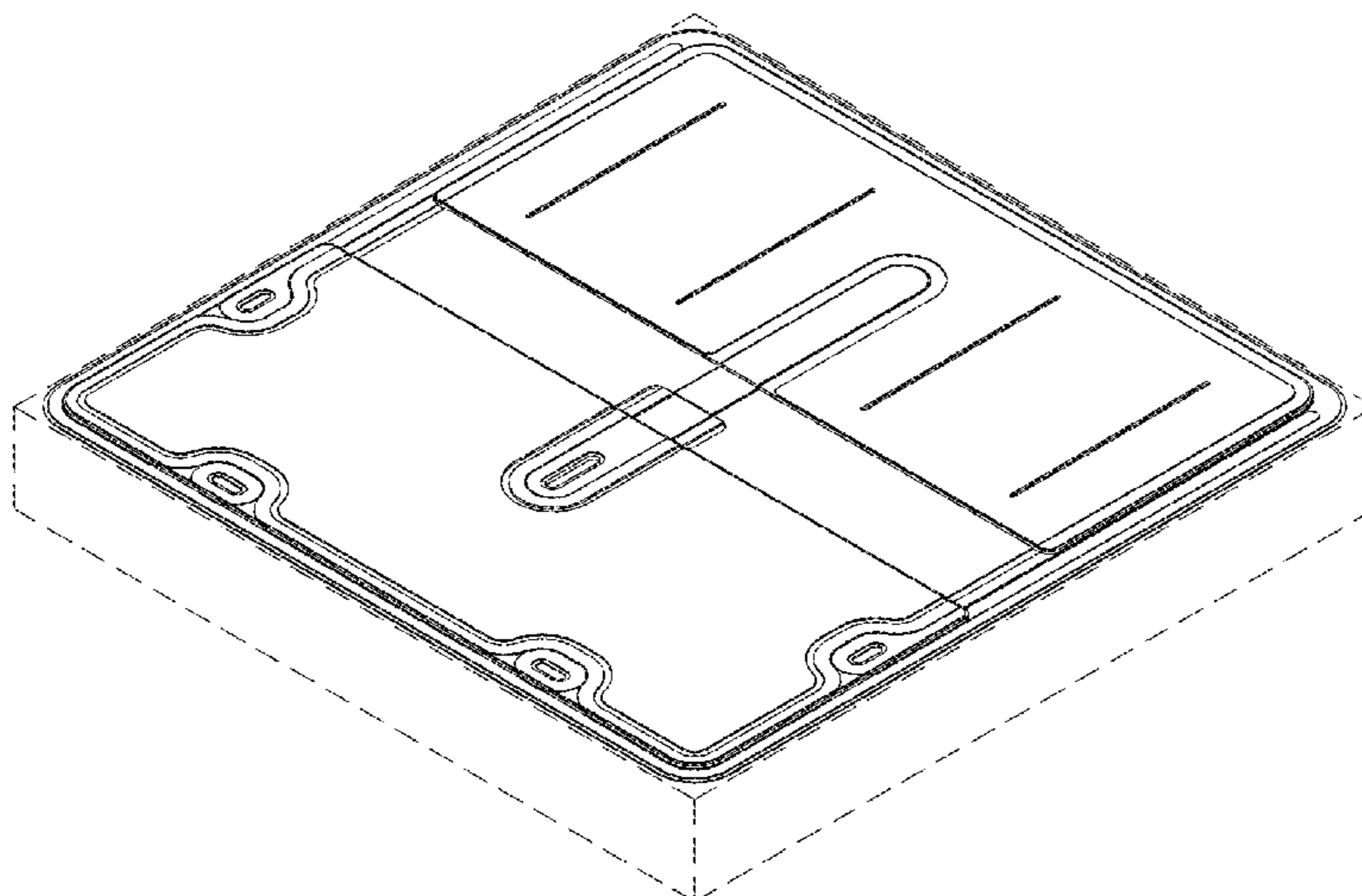
(57) **CLAIM**

The ornamental design for a light-emitting diode device, as shown and described.

DESCRIPTION

FIG. 1 is a perspective view of a light-emitting diode device showing our first example of the new design; FIG. 2 is another perspective view thereof; FIG. 3 is a front elevational view thereof; FIG. 4 is a rear elevational view thereof; FIG. 5 is a left side view thereof; FIG. 6 is a right side view thereof; FIG. 7 is a top plan view thereof; FIG. 8 is a bottom plan view thereof; FIG. 9 is a perspective view of a light-emitting diode device showing our second example of the new design; FIG. 10 is another perspective view thereof; FIG. 11 is a front elevational view thereof; FIG. 12 is a rear elevational view thereof; FIG. 13 is a left side view thereof; FIG. 14 is a right side view thereof; FIG. 15 is a top plan view thereof; and, FIG. 16 is a bottom plan view thereof. The broken line showing is for the purpose of illustrating environmental structure only and forms no part of the claimed design.

1 Claim, 12 Drawing Sheets



(56)

References Cited

U.S. PATENT DOCUMENTS

D725,052 S * 3/2015 Chen et al. D13/180
D733,079 S * 6/2015 Chen et al. D13/180
2003/0107053 A1 6/2003 Uemura et al.

2008/0210972 A1 9/2008 Ko et al.
2011/0121329 A1 5/2011 Chen et al.
2012/0241808 A1 9/2012 Akiyama et al.
2014/0225143 A1* 8/2014 Kususe et al. 257/98

* cited by examiner

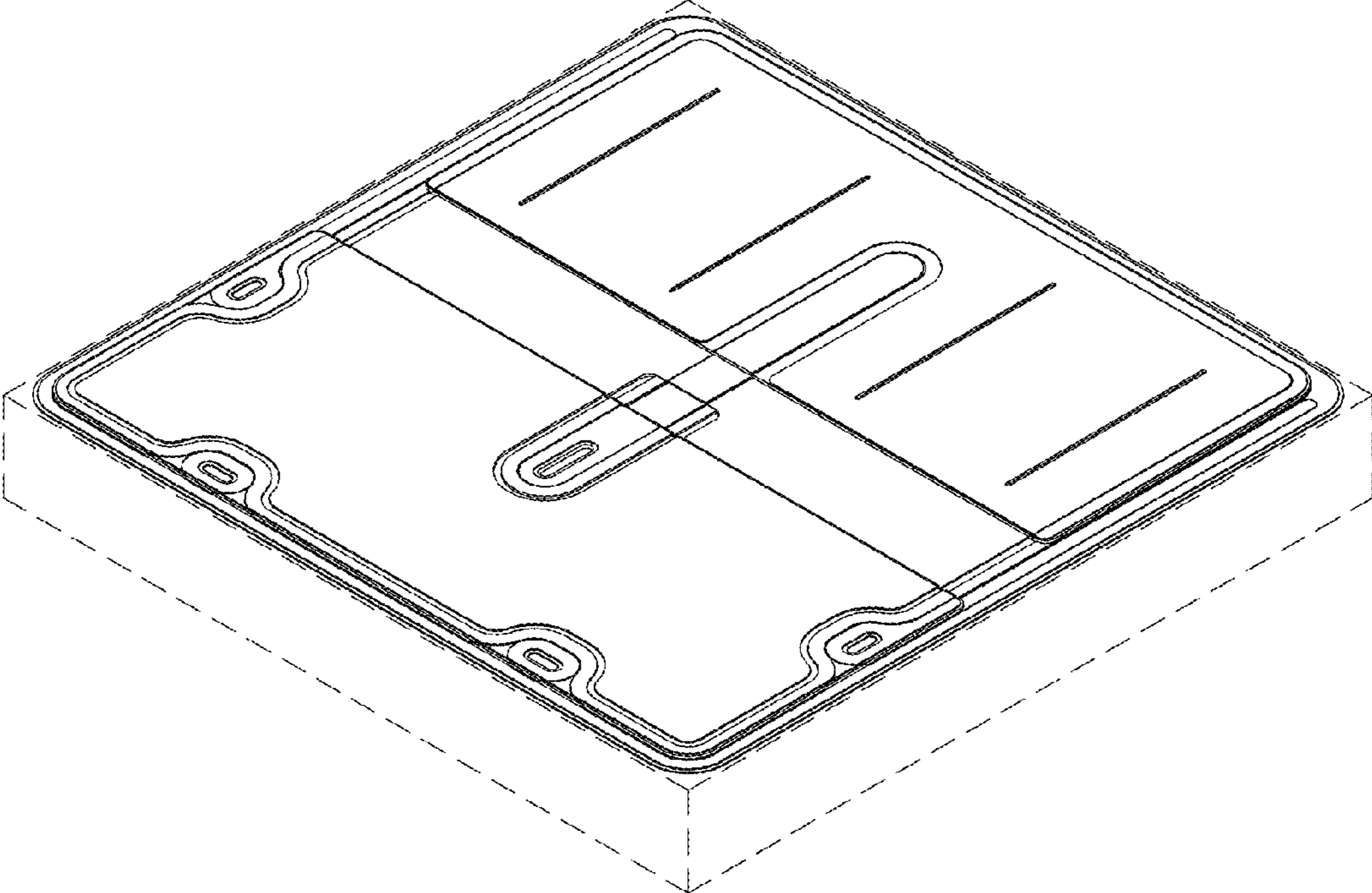


FIG. 1

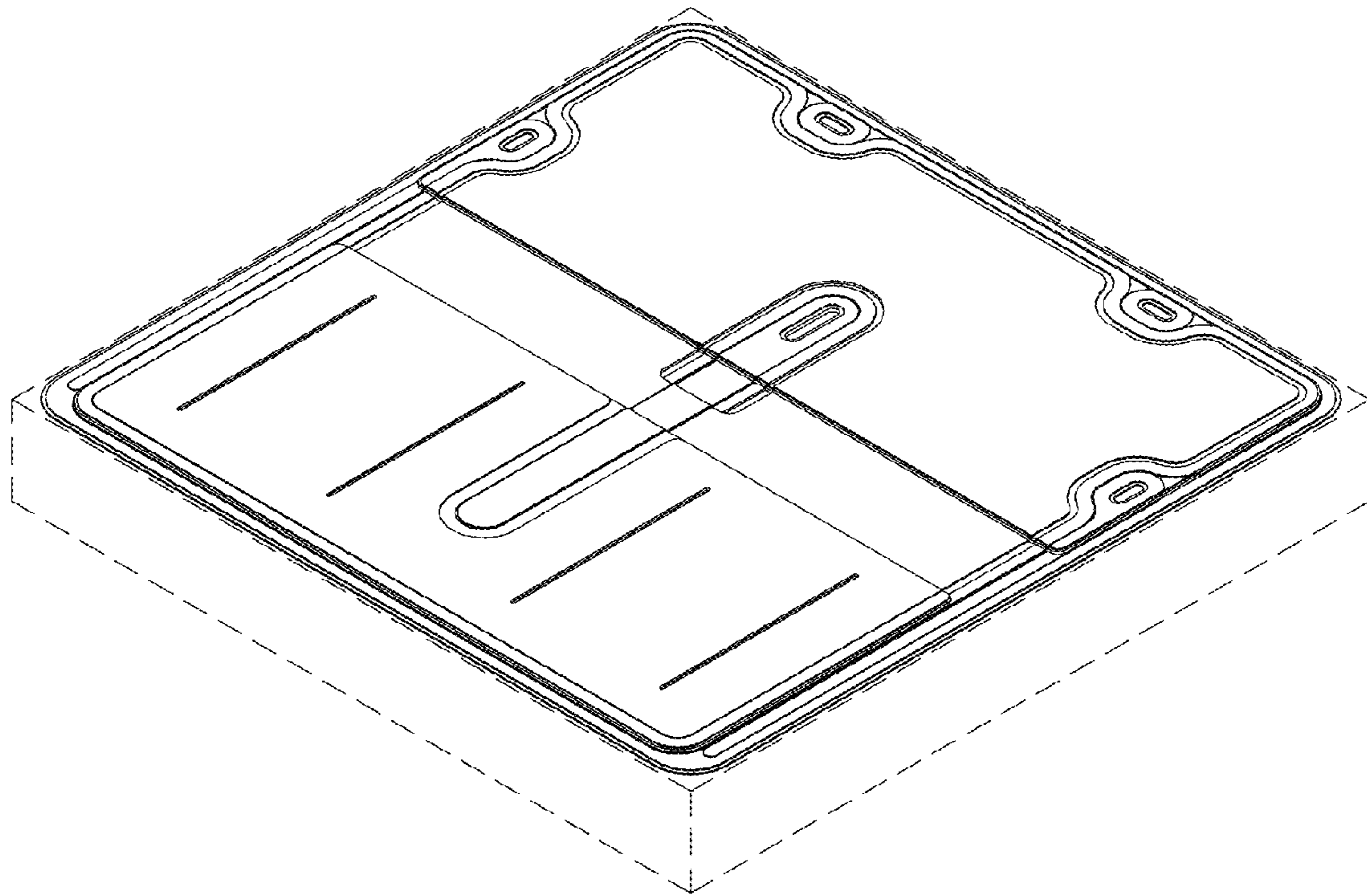


FIG. 2

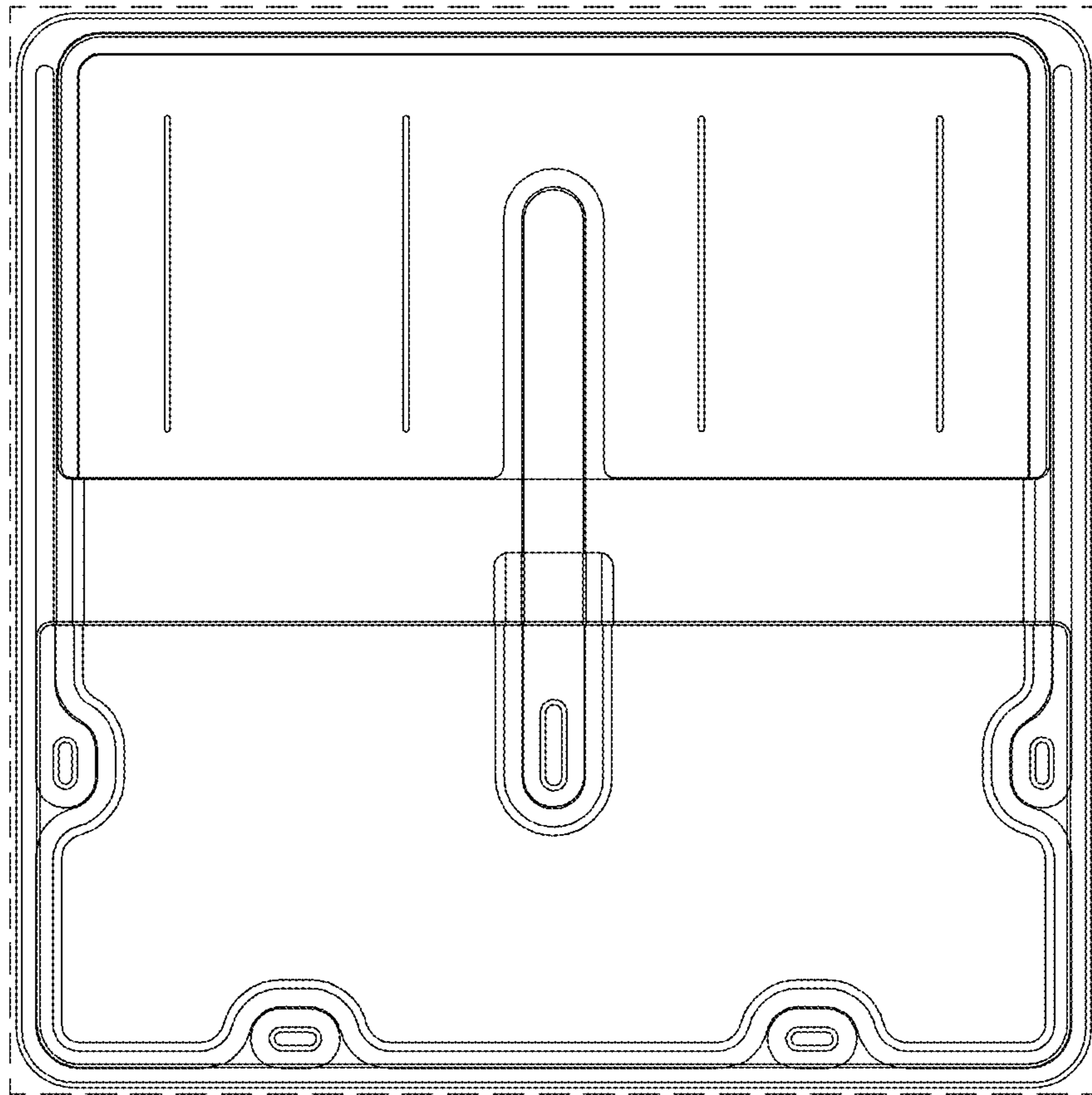


FIG. 3



FIG. 4



FIG. 5

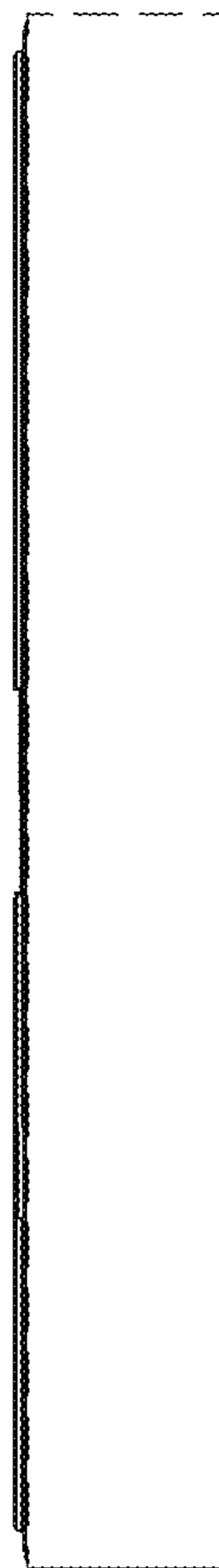


FIG. 6

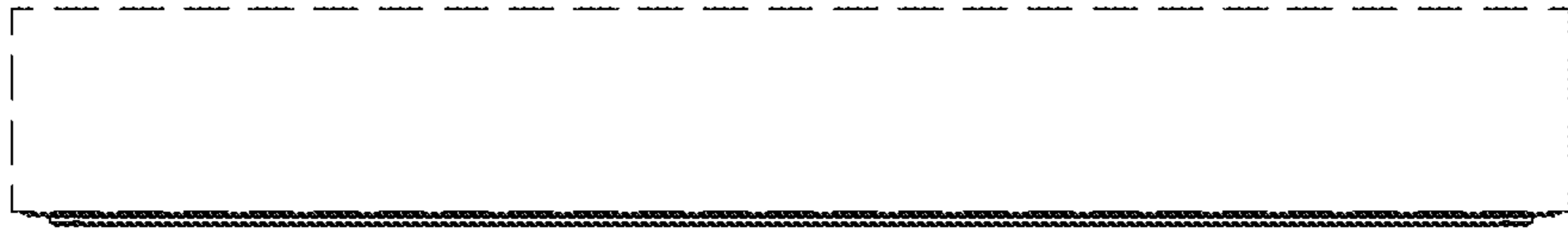


FIG. 7



FIG. 8

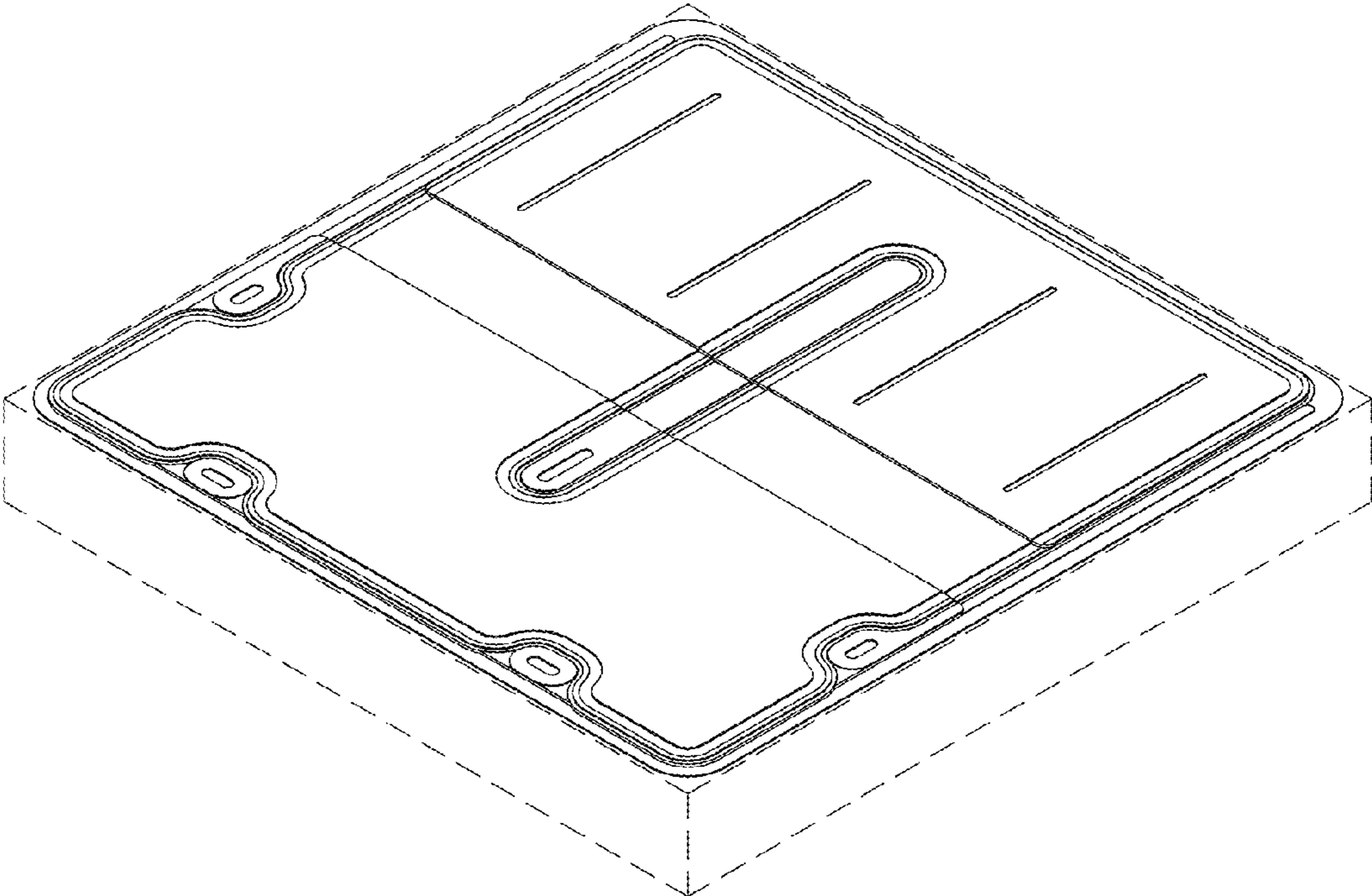


FIG. 9

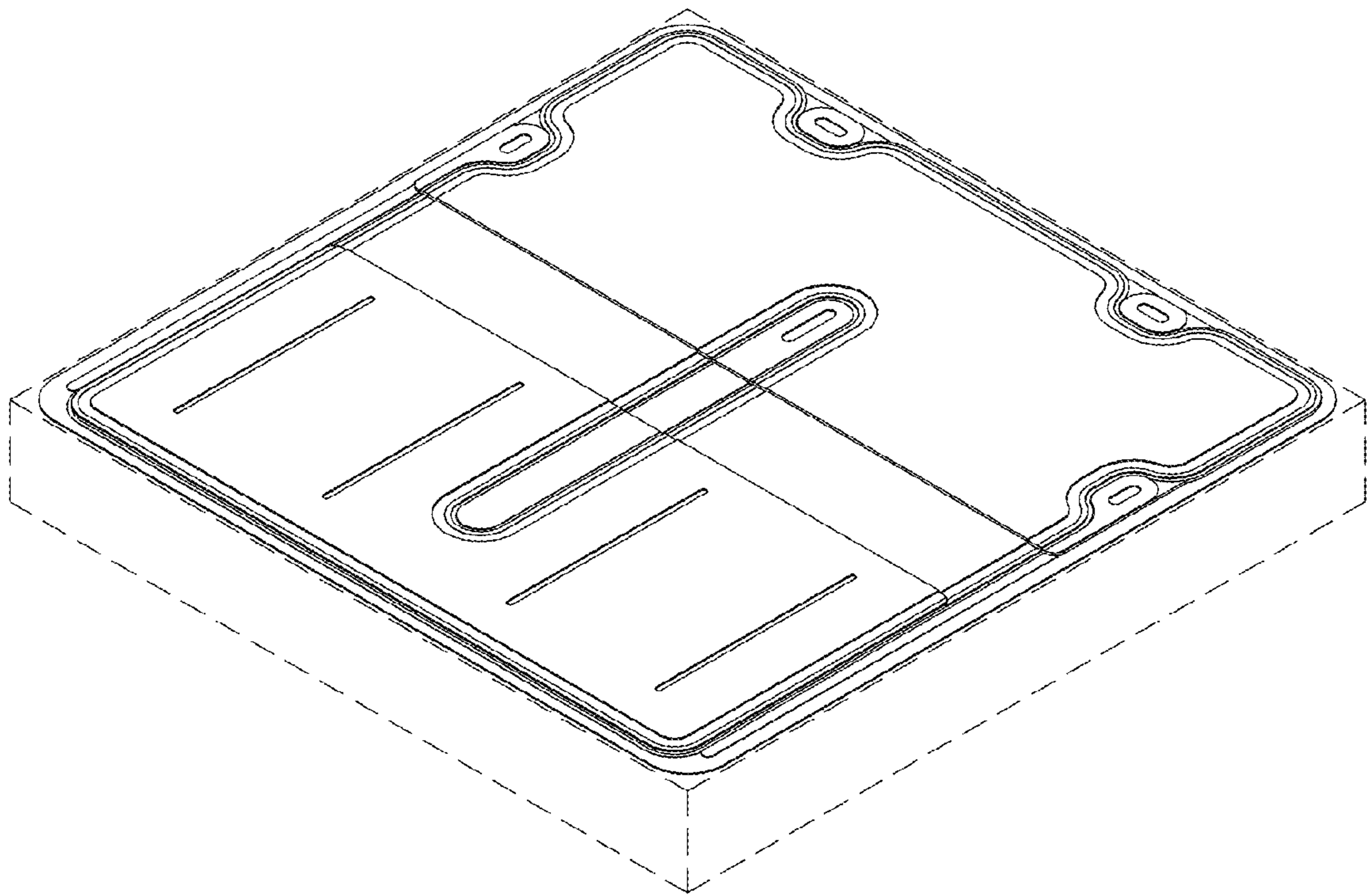


FIG. 10

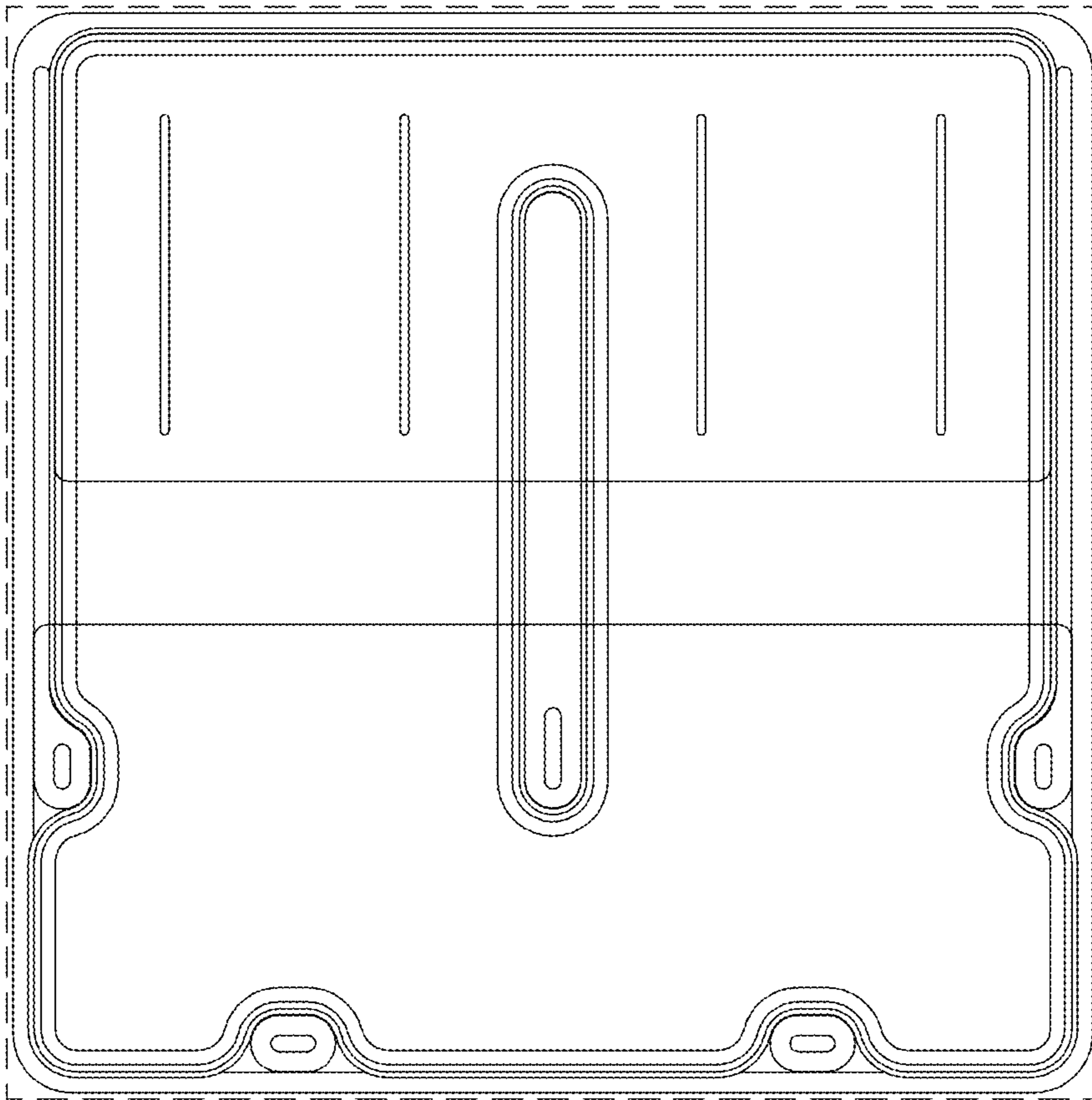


FIG. 11



FIG. 12

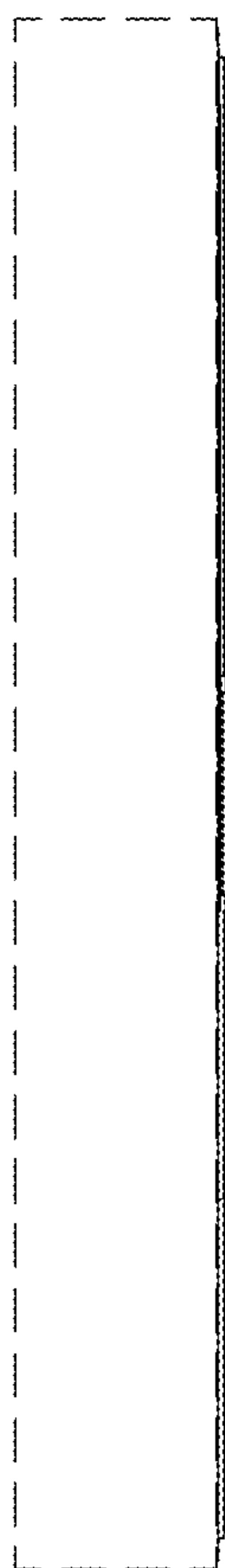


FIG. 13

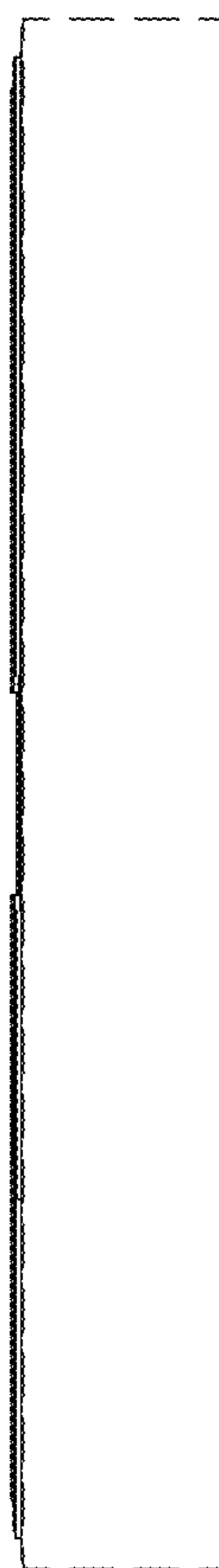


FIG. 14



FIG. 15



FIG. 16