



US00D740238S

(12) **United States Design Patent**  
**Dorn et al.**

(10) **Patent No.:** **US D740,238 S**  
(45) **Date of Patent:** **\*\* Oct. 6, 2015**

(54) **SWITCH**

(71) Applicant: **Raffel Systems, LLC**, Germantown, WI (US)

(72) Inventors: **Douglas A. Dorn**, Brookfield, WI (US);  
**Kenneth G. Seidl**, Port Washington, WI (US)

(73) Assignee: **RAFFEL SYSTEMS, LLC**,  
Germantown, WI (US)

(\*\*) Term: **14 Years**

(21) Appl. No.: **29/488,322**

(22) Filed: **Apr. 17, 2014**

(51) **LOC (10) Cl.** ..... **13-03**

(52) **U.S. Cl.**  
USPC ..... **D13/174**

(58) **Field of Classification Search**  
USPC ..... D13/171, 173, 174  
CPC ..... H01H 3/022; H01H 3/12; H01H 3/122;  
H01H 9/0235; H01H 13/023; H01H 13/04;  
H01H 13/14; H01H 13/86; H01H 21/24;  
H01H 25/065; A47C 1/0345; A47C 1/035;  
A47C 7/506

See application file for complete search history.

(56) **References Cited**

**U.S. PATENT DOCUMENTS**

6,800,819 B2 \* 10/2004 Sato et al. .... 200/5 R  
7,217,897 B2 \* 5/2007 Mattarelli ..... 200/329  
D685,333 S \* 7/2013 Beroukas et al. .... D13/174

D691,098 S \* 10/2013 Li et al. .... D13/174  
D691,099 S \* 10/2013 Li et al. .... D13/174  
D691,971 S \* 10/2013 Li et al. .... D13/174  
D692,401 S \* 10/2013 Li et al. .... D13/174  
D692,841 S \* 11/2013 Li et al. .... D13/174  
D707,640 S \* 6/2014 Li et al. .... D13/174  
8,766,115 B2 \* 7/2014 Kristen ..... 200/5 A  
D712,847 S \* 9/2014 Dorn et al. .... D13/174  
D712,848 S \* 9/2014 Dorn et al. .... D13/174  
D714,229 S \* 9/2014 Wenji et al. .... D13/171  
D714,233 S \* 9/2014 Dorn et al. .... D13/174  
D720,305 S \* 12/2014 Wenji ..... D13/174  
2004/0074756 A1 \* 4/2004 Kawakami et al. .... 200/600  
2011/0198894 A1 \* 8/2011 Hsieh et al. .... 297/68  
2014/0353134 A1 \* 12/2014 Muller ..... 200/5 A  
2015/0027868 A1 \* 1/2015 Gao ..... 200/341

\* cited by examiner

*Primary Examiner* — Selina Sikder

(74) *Attorney, Agent, or Firm* — Tyler J. Sisk; Casimir Jones, S.C.

(57) **CLAIM**

The ornamental design for a switch, as shown and described.

**DESCRIPTION**

FIG. 1 is a top perspective view showing the new design;  
FIG. 2 is a top plan view thereof;  
FIG. 3 is a bottom plan view thereof;  
FIG. 4 is a front elevational view thereof, the front and rear elevational views being mirror images; and,  
FIG. 5 is a left side elevational view thereof, the left side and right side elevational views being mirror images.  
The broken lines in the drawings depict unclaimed environmental subject matter.

**1 Claim, 5 Drawing Sheets**

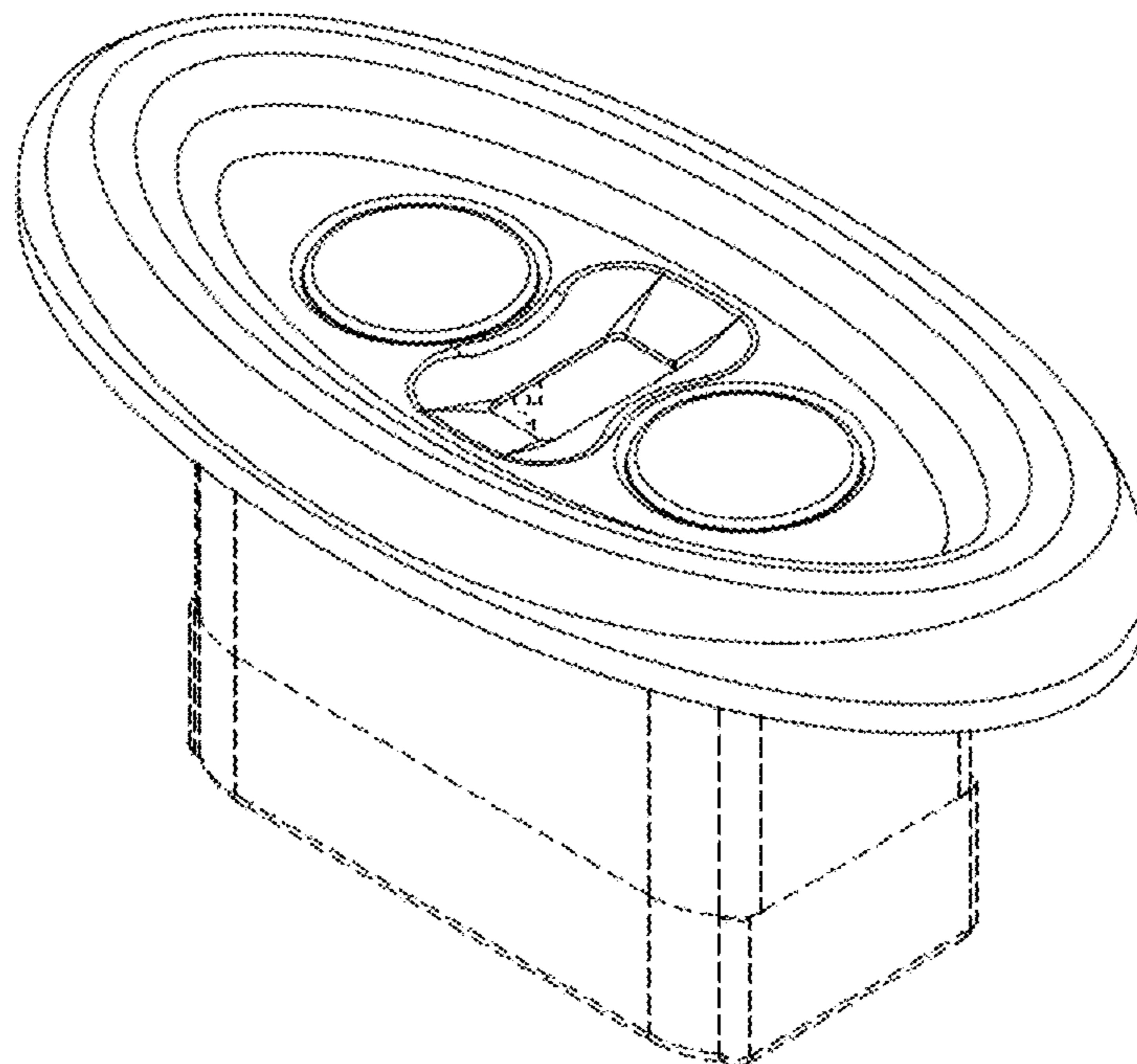


FIG.1

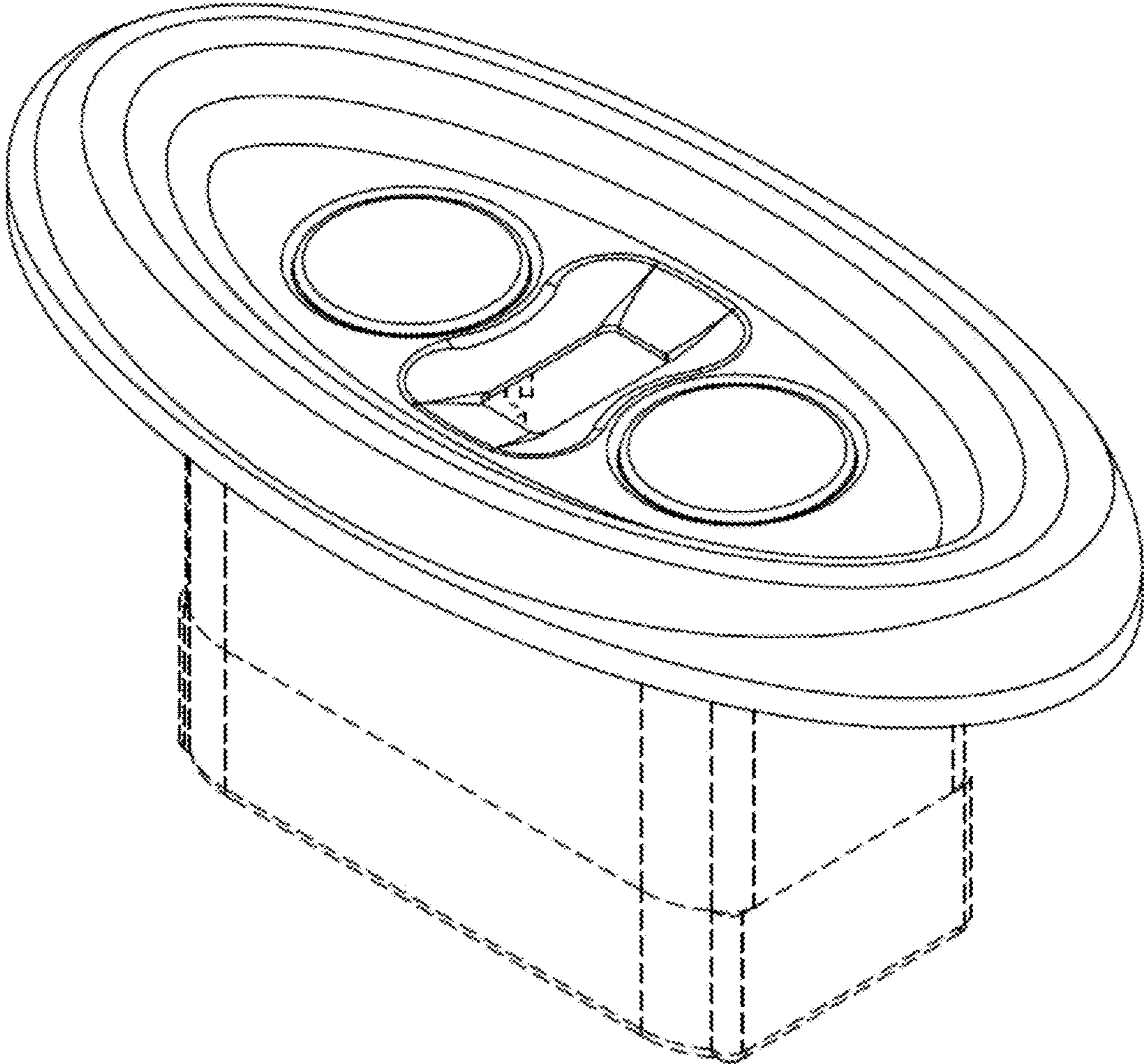


FIG. 2

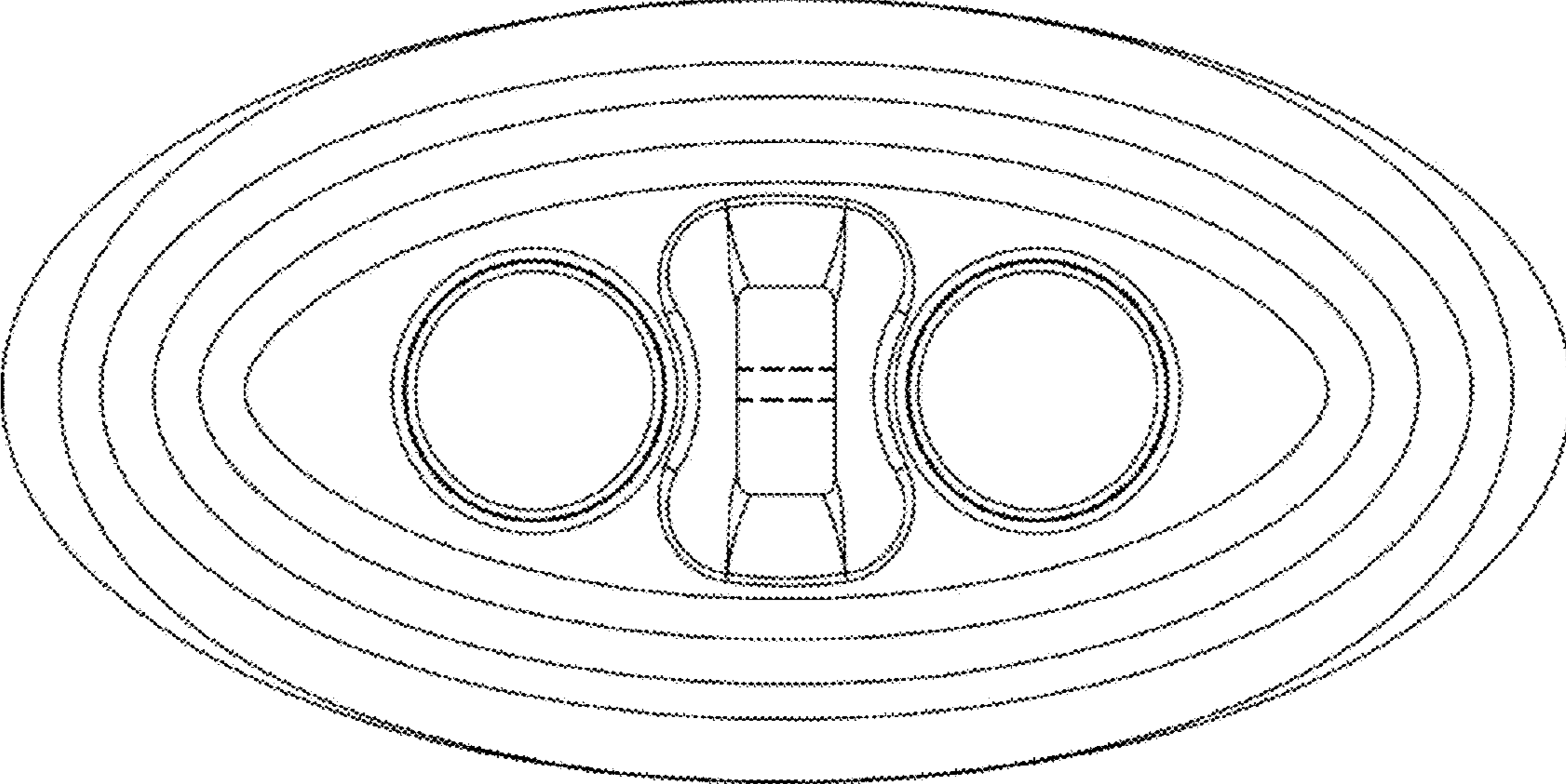


FIG.3

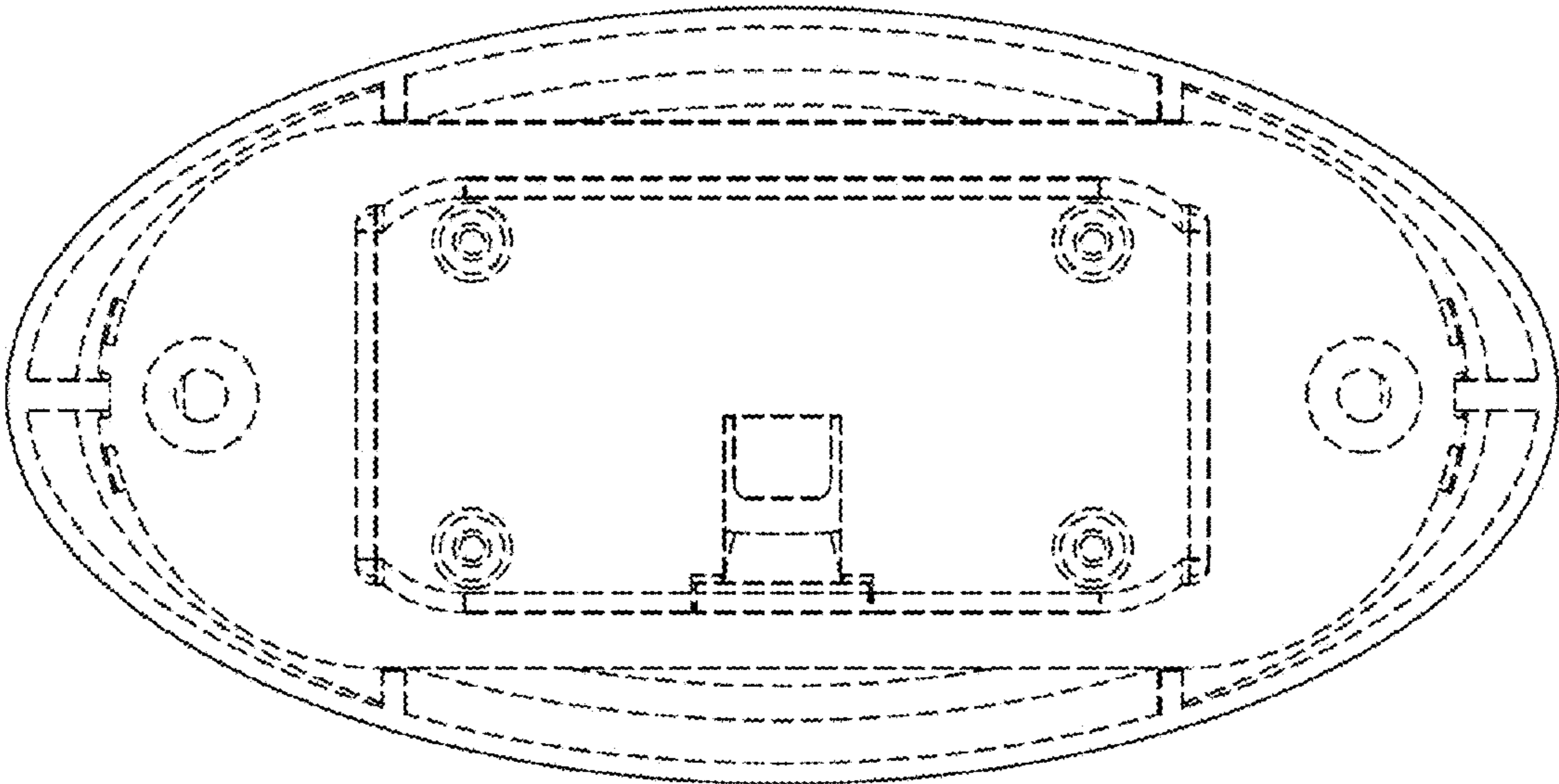


FIG. 4

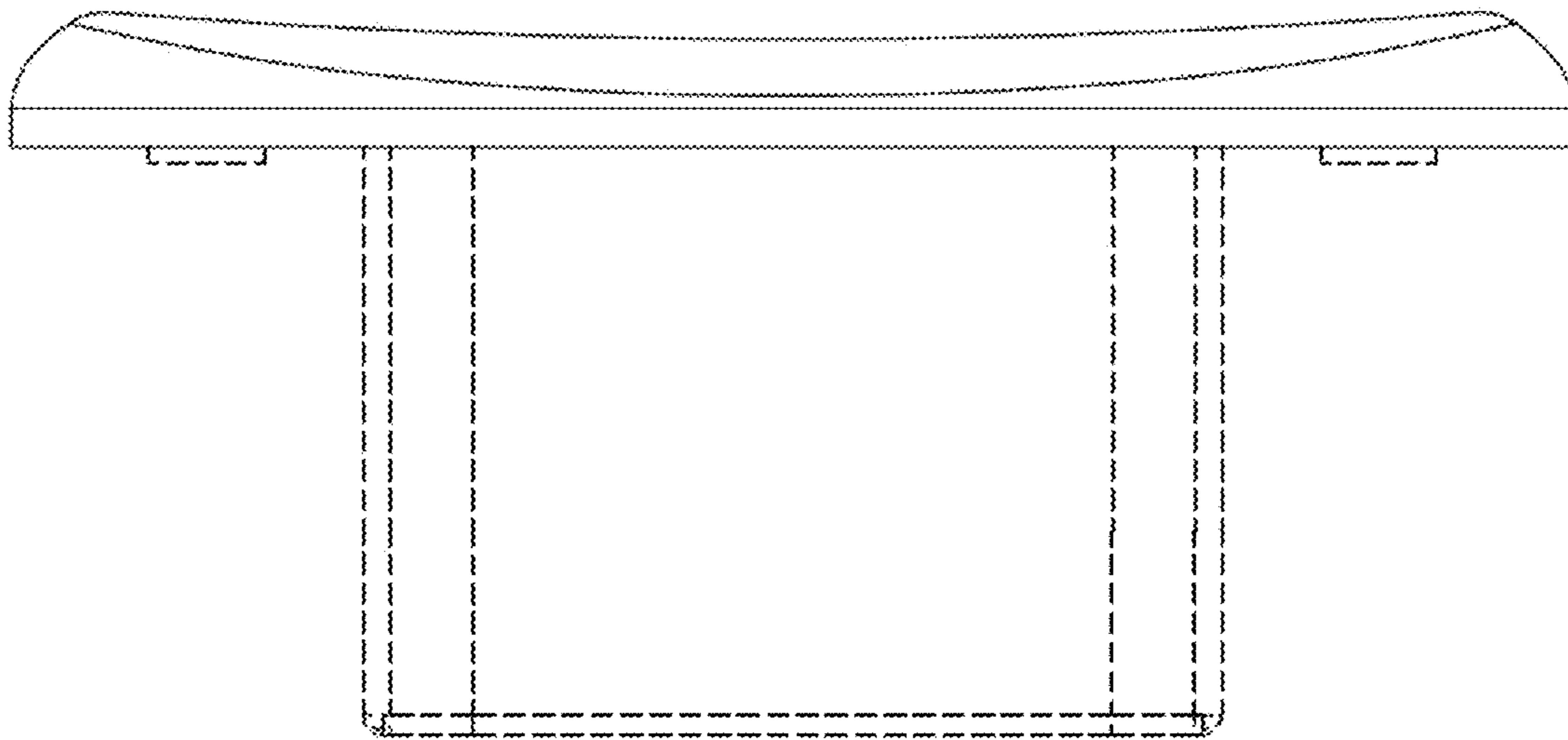


FIG. 5

