



US00D740237S

(12) **United States Design Patent**
Inagaki et al.

(10) **Patent No.:** **US D740,237 S**
(45) **Date of Patent:** **** Oct. 6, 2015**

(54) **PEDAL SWITCH**

(71) Applicant: **ROLAND CORPORATION**, Shizuoka (JP)

(72) Inventors: **Yoji Inagaki**, Shizuoka (JP); **Hirofumi Muramatsu**, Shizuoka (JP)

(73) Assignee: **ROLAND CORPORATION**, Shizuoka (JP)

(**) Term: **14 Years**

(21) Appl. No.: **29/478,946**

(22) Filed: **Jan. 10, 2014**

(51) **LOC (10) Cl.** **13-03**

(52) **U.S. Cl.**
USPC **D13/174**; D17/4

(58) **Field of Classification Search**
USPC D13/167, 169, 174; D17/1, 9, 20, 99; 84/721, 746
CPC G05G 1/503; H01H 3/02; H01H 3/04; H01H 3/14; H01H 9/02; H01H 13/16; H01H 19/001; H01H 19/14; H01H 21/26
See application file for complete search history.

(56) **References Cited**

U.S. PATENT DOCUMENTS

3,178,522	A *	4/1965	Passarelli, Jr.	200/6 C
3,227,820	A *	1/1966	Sorenson	200/5 A
3,317,683	A *	5/1967	Clark	200/5 R
D256,590	S *	8/1980	Orlandoni	D17/4
D320,596	S *	10/1991	Sdunek	D13/174
5,095,409	A *	3/1992	Dematteo et al.	362/23.17
5,659,145	A *	8/1997	Weil	84/464 R
D416,871	S *	11/1999	Todd	D13/169
6,198,061	B1 *	3/2001	Amari	200/310
6,388,221	B1 *	5/2002	Rudolph et al.	200/556
D559,200	S *	1/2008	Schurg et al.	D13/167

D716,368	S *	10/2014	Uesugi et al.	D17/9
9,035,165	B2 *	5/2015	Cho	84/746
2003/0107854	A1 *	6/2003	Mason et al.	361/42
2004/0182685	A1 *	9/2004	Tsunemoto	200/5 R
2005/0087061	A1 *	4/2005	Sim et al.	84/719
2005/0258023	A1 *	11/2005	Nagai et al.	200/339
2009/0301857	A1 *	12/2009	Hamel et al.	200/523
2010/0034408	A1 *	2/2010	Vaerndal et al.	381/323
2012/0241301	A1 *	9/2012	Chiba et al.	200/511
2013/0092011	A1 *	4/2013	Nakamura et al.	84/605
2013/0319210	A1 *	12/2013	Yoshida	84/745
2014/0090968	A1 *	4/2014	Matsubara et al.	200/530
2014/0290469	A1 *	10/2014	Michaud et al.	84/741
2014/0318940	A1 *	10/2014	Mahle et al.	200/33 R

* cited by examiner

Primary Examiner — Selina Sikder

(74) *Attorney, Agent, or Firm* — Jianq Chyun IP Office

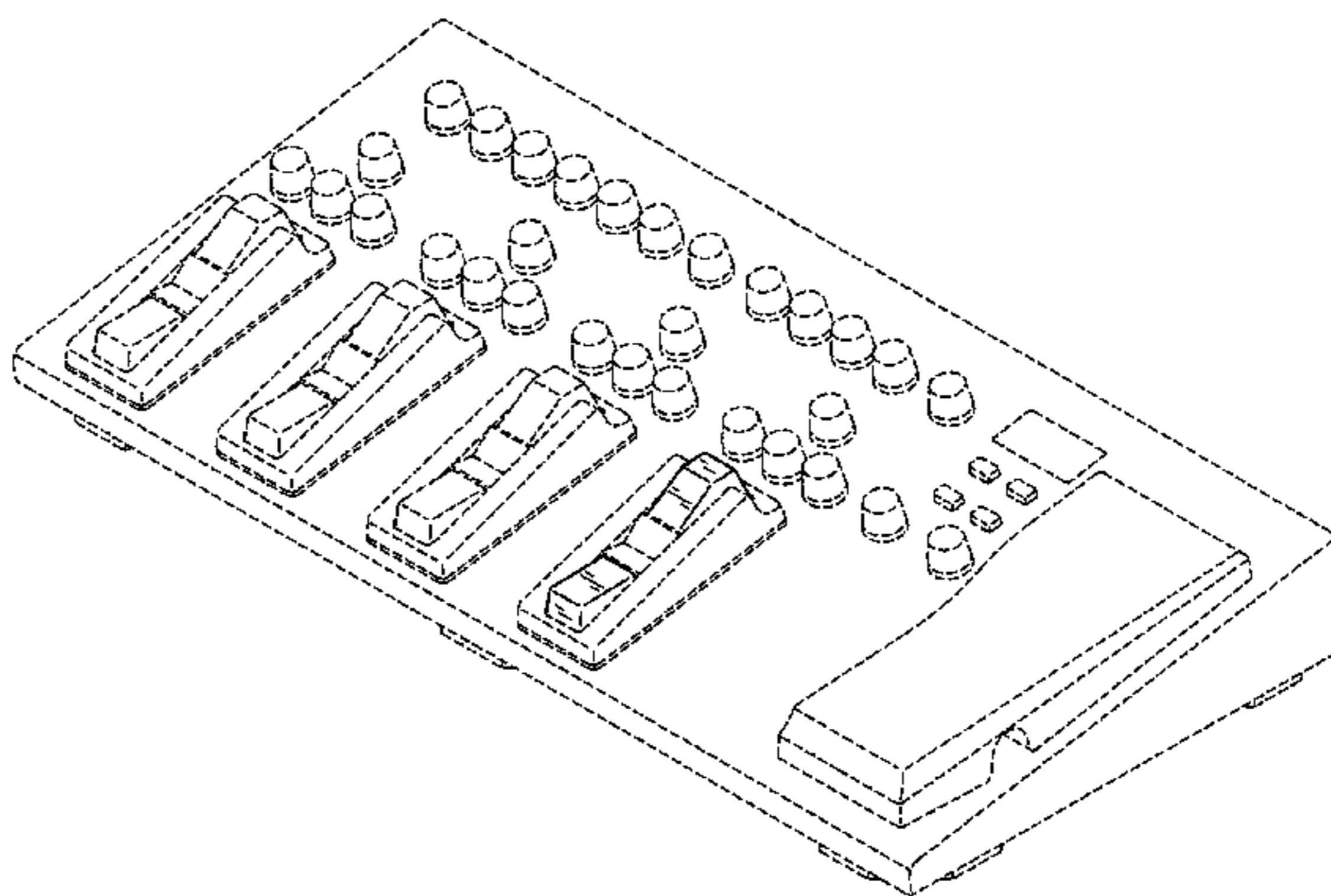
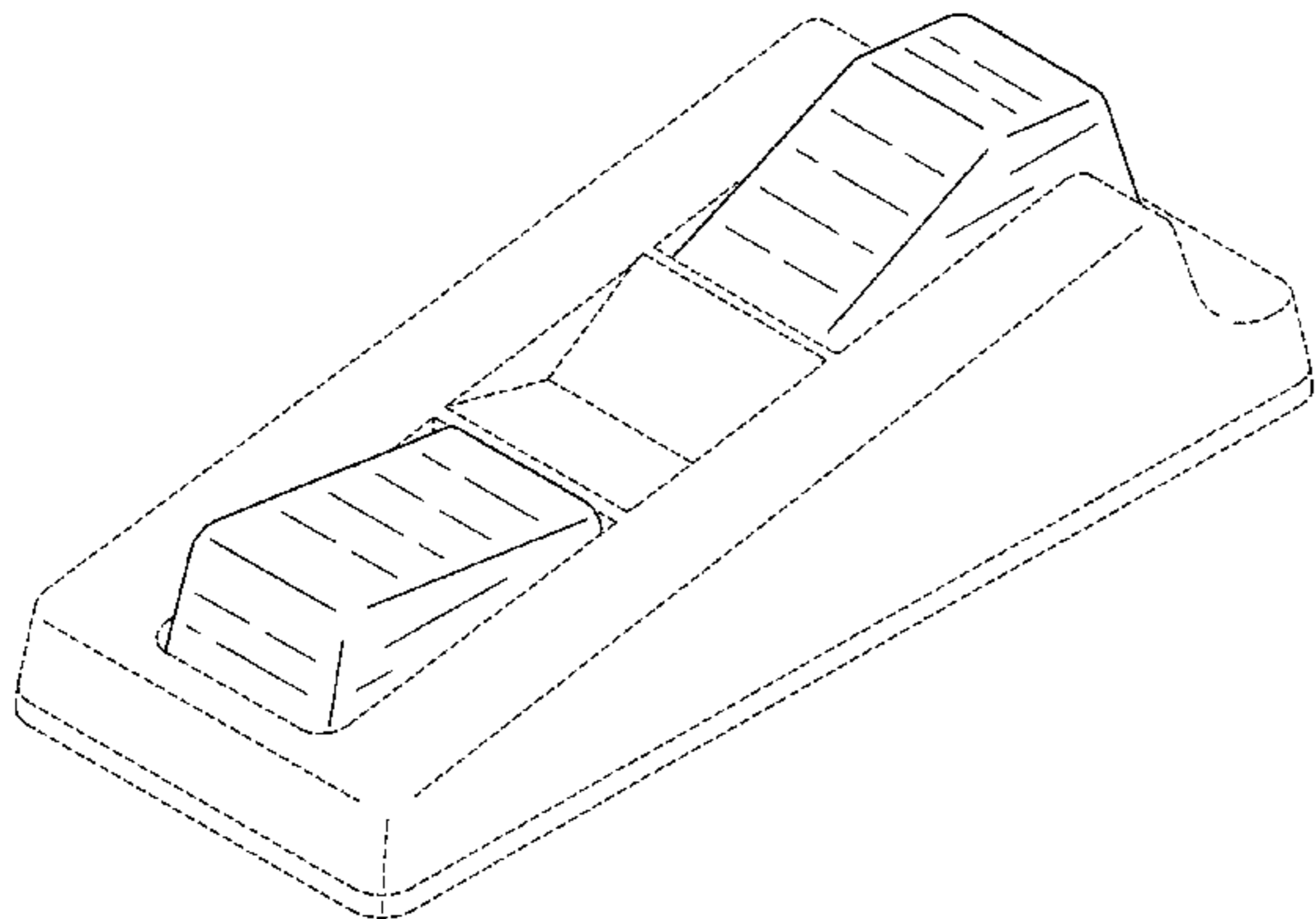
(57) **CLAIM**

The ornamental design for a pedal switch, as shown and described.

DESCRIPTION

FIG. 1 is a perspective view of a pedal switch showing our new design;
FIG. 2 is a front view thereof;
FIG. 3 is a rear view thereof;
FIG. 4 is a left side view thereof;
FIG. 5 is a right side view thereof;
FIG. 6 is a top view thereof;
FIG. 7 is a bottom view thereof; and,
FIG. 8 is a perspective view of the pedal switch shown in use. The broken line portions of the pedal switch in FIGS. 1-8 represent unclaimed portions of the design and form no part thereof. The broken line subject matters in FIG. 8 are included for the purpose of illustrating unclaimed environment and form no part of the claimed design.

1 Claim, 7 Drawing Sheets



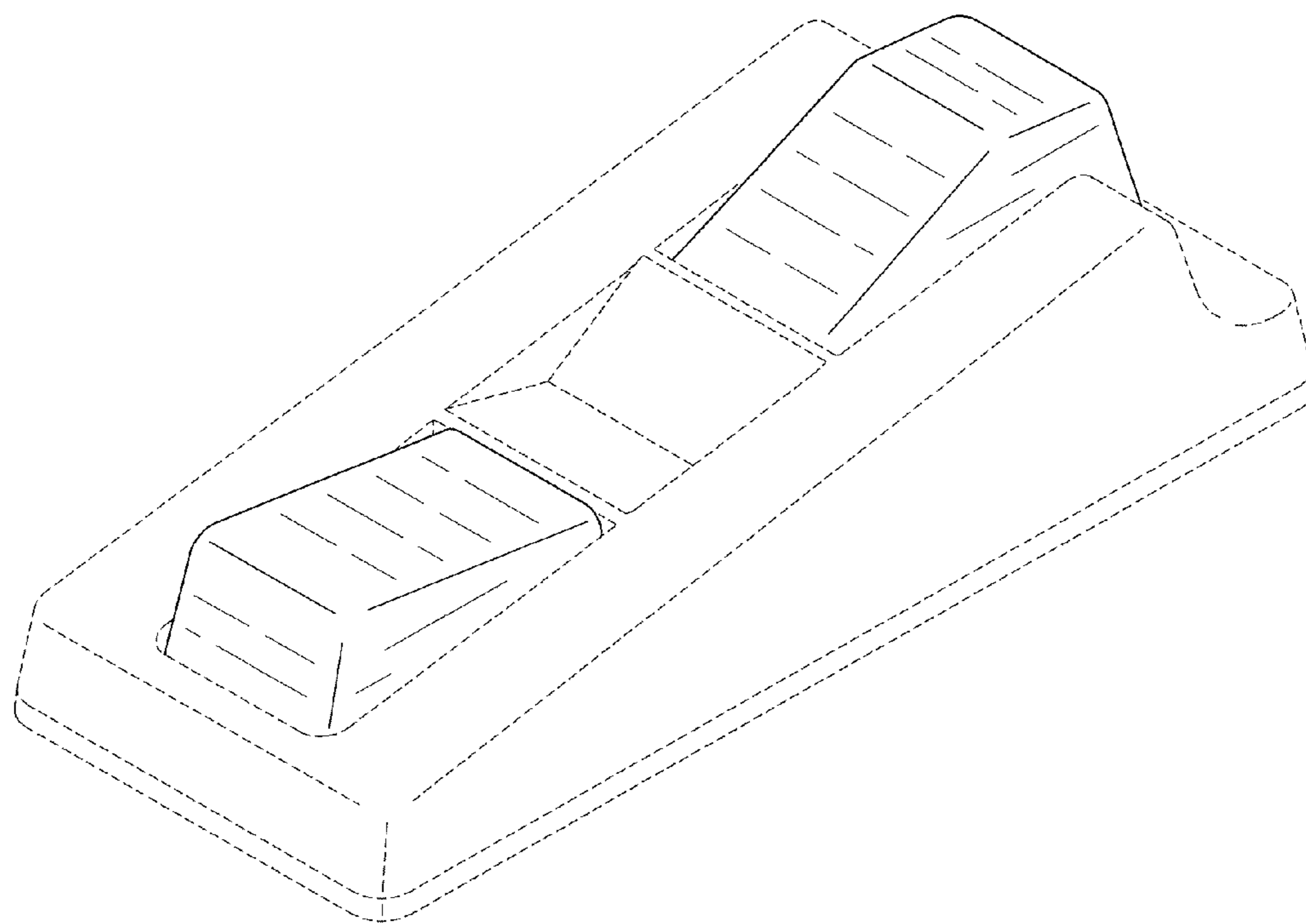


FIG. 1

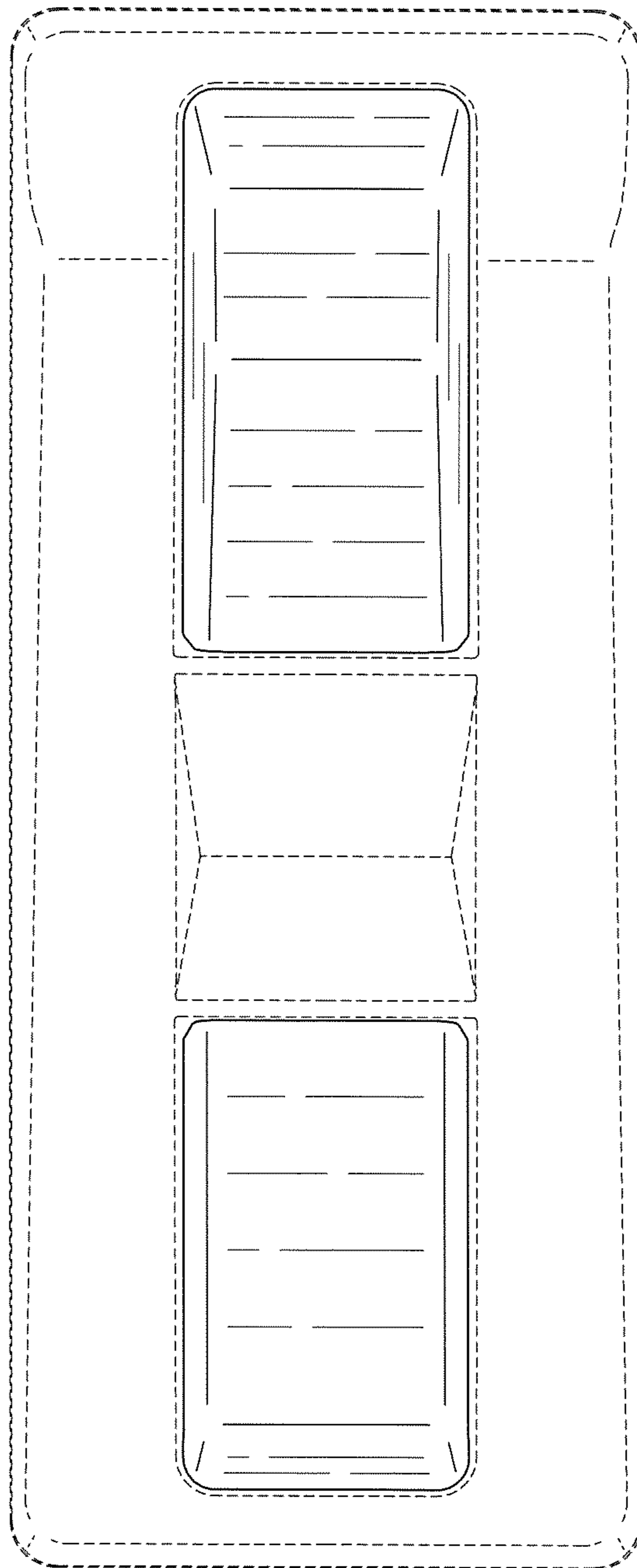


FIG. 2

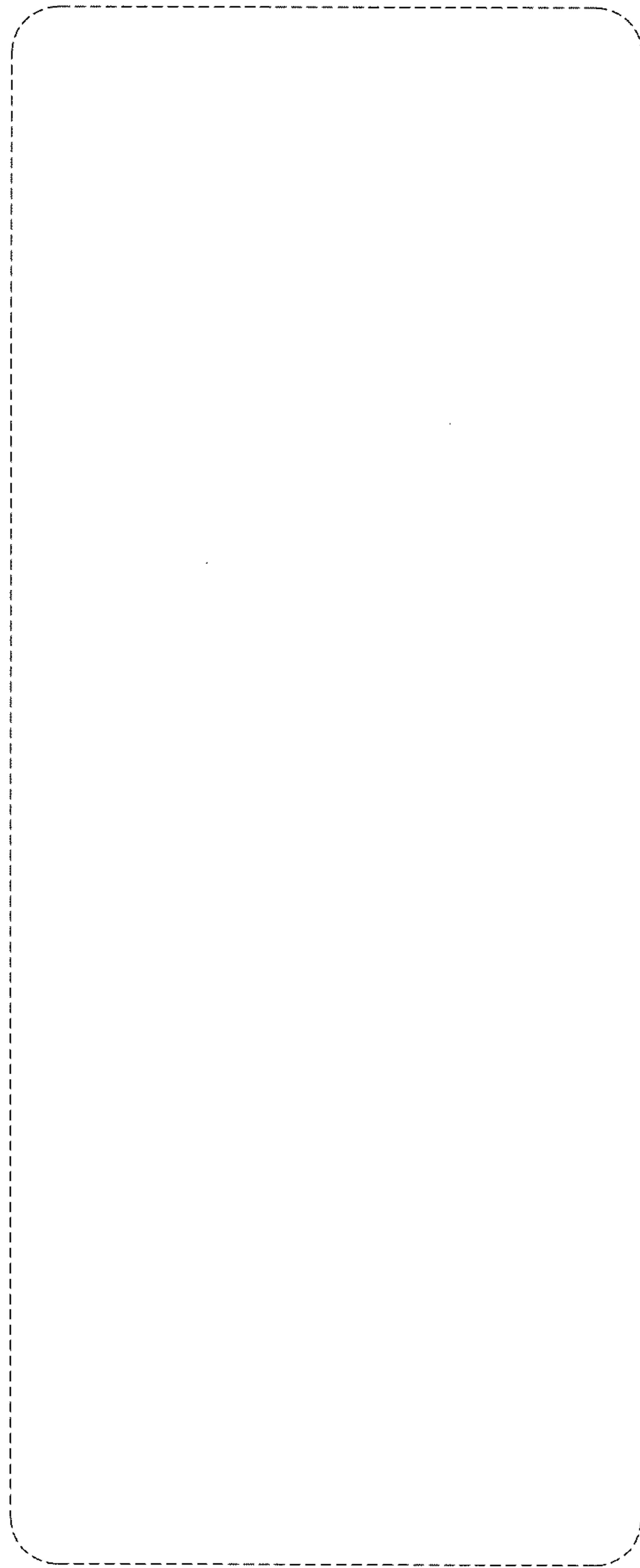


FIG. 3

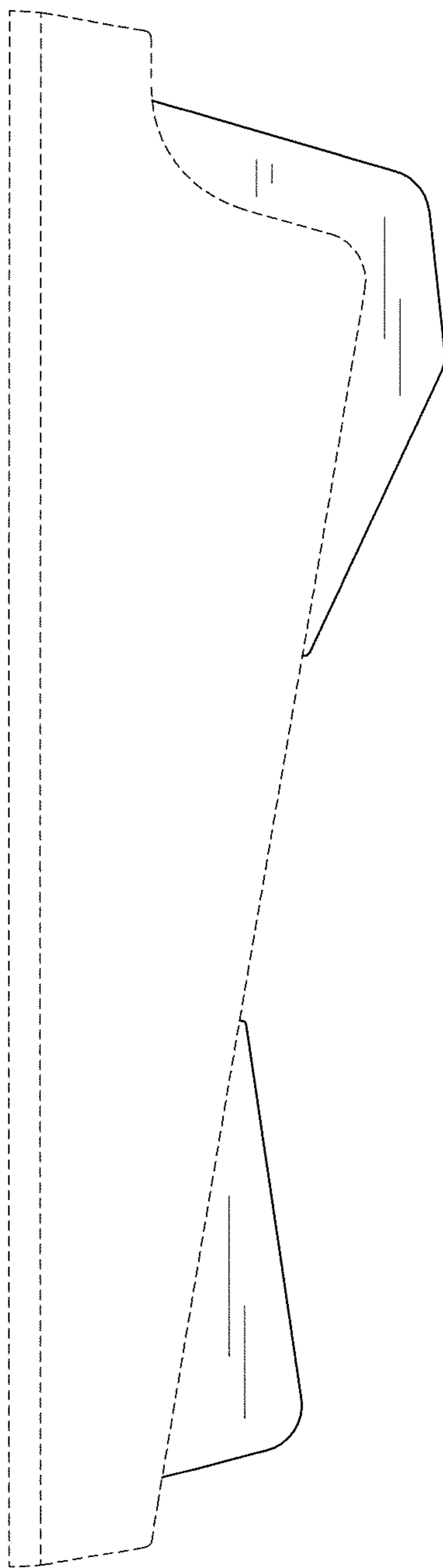


FIG. 4

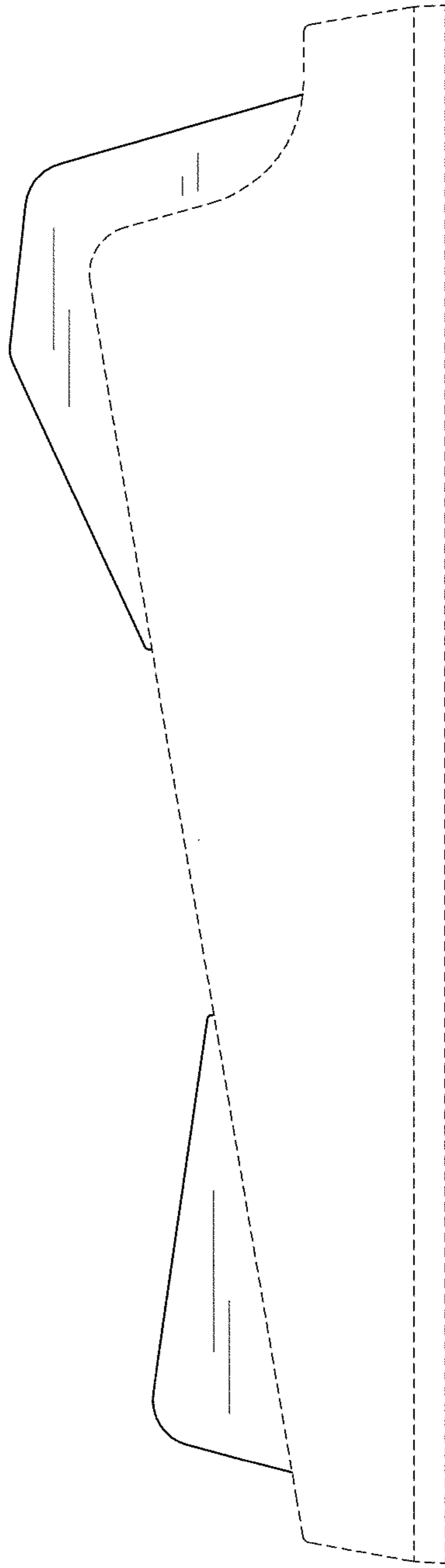


FIG. 5

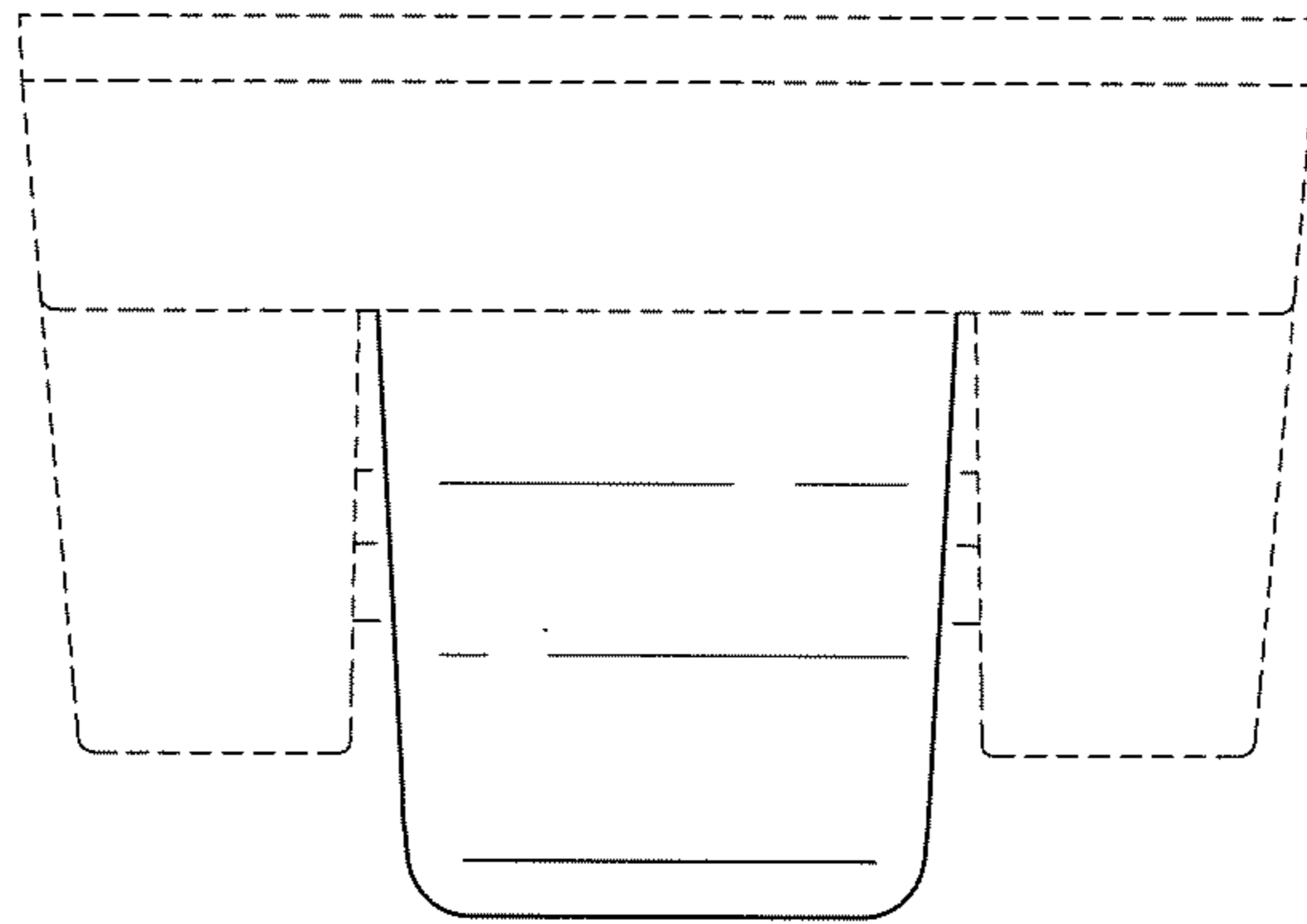


FIG. 6

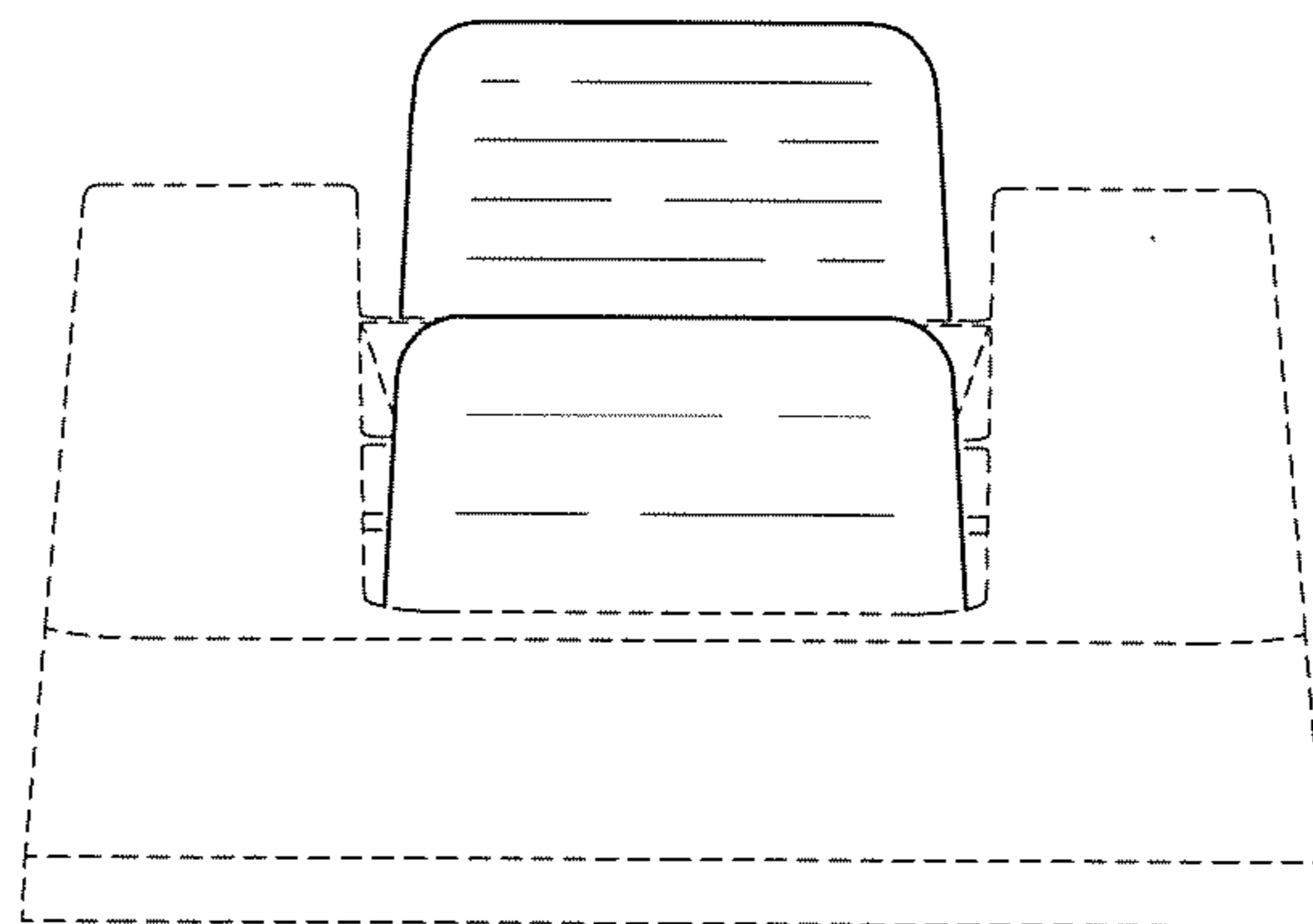


FIG. 7

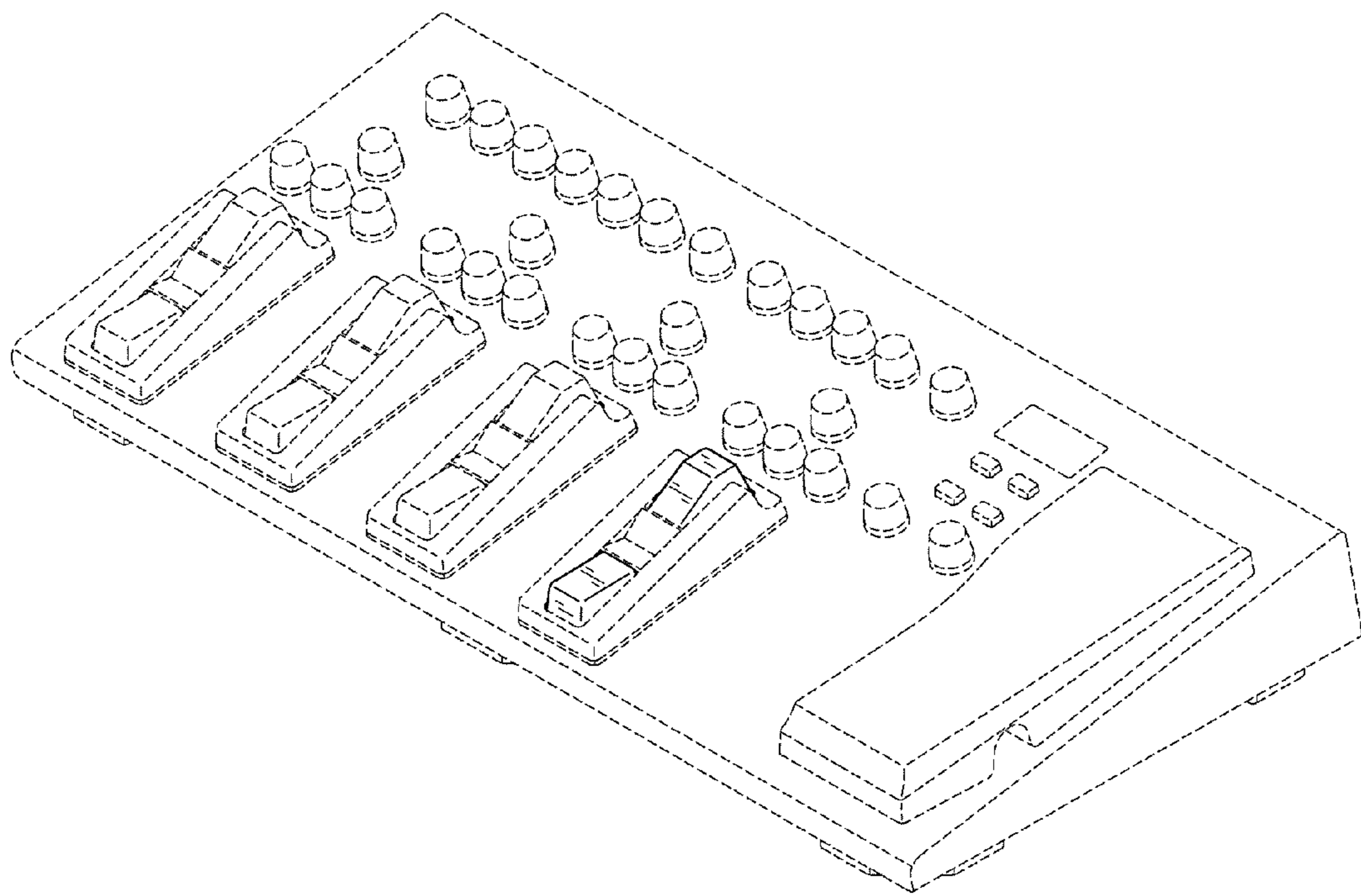


FIG. 8