



US00D740235S

(12) **United States Design Patent**  
**Andersson et al.**

(10) **Patent No.:** **US D740,235 S**

(45) **Date of Patent:** **\*\* Oct. 6, 2015**

(54) **SWITCHING DEVICE**

(56) **References Cited**

(71) Applicant: **Siemens Aktiengesellschaft**, München (DE)

U.S. PATENT DOCUMENTS

(72) Inventors: **Jan Andersson**, Erlangen (DE); **Tobias Reese**, Bamberg (DE); **Christoph Tomczak**, Erlangen (DE)

D367,265 S *	2/1996	Yamagata et al. ....	D13/160
D498,464 S *	11/2004	Kim .....	D13/160
D654,878 S *	2/2012	Mattlar et al. ....	D13/158
D695,229 S *	12/2013	Ran et al. ....	D13/158
D695,230 S *	12/2013	Zhang et al. ....	D13/158

(73) Assignee: **SIEMENS AKTIENGESELLSCHAFT**, München (DE)

OTHER PUBLICATIONS

'3KD Switch Disconnectors.Reliable Safety', Jun. 10, 2014, [online], [site visited Aug. 7, 2014]. Available from Internet, <URL: <https://www.youtube.com/watch?v=gy938p9IZdg>>.\*

(\*\*) Term: **14 Years**

\* cited by examiner

(21) Appl. No.: **29/482,517**

*Primary Examiner* — Thomas Johannes

*Assistant Examiner* — Shawn T Gingrich

(22) Filed: **Feb. 19, 2014**

(74) *Attorney, Agent, or Firm* — Henry M. Feiereisen LLC

(30) **Foreign Application Priority Data**

(57) **CLAIM**

The ornamental design for the switching device, as shown and described.

Aug. 20, 2013 (EP) ..... 001381305

(51) **LOC (10) Cl.** ..... **13-03**

(52) **U.S. Cl.**  
USPC ..... **D13/158**

(58) **Field of Classification Search**  
USPC ..... D13/123, 147, 151, 158-177, 184;  
200/43, 295, 296, 308, 310, 314, 329,  
200/340, 1 R, 5 A, 5 R, 6 R; 439/491, 535;  
335/202, 251, 262

**DESCRIPTION**

FIG. 1 is a front elevational view of a switching device showing my new design;  
FIG. 2 is a rear elevational view thereof;  
FIG. 3 is a top elevational view thereof;  
FIG. 4 is a bottom elevational view thereof;  
FIG. 5 is a right side elevational view thereof;  
FIG. 6 is a left side elevational view thereof; and,  
FIG. 7 is a front right side perspective view thereof.  
The broken line portion of the figure drawings is included to show unclaimed subject matter only and forms no part of the claimed design.

See application file for complete search history.

**1 Claim, 7 Drawing Sheets**

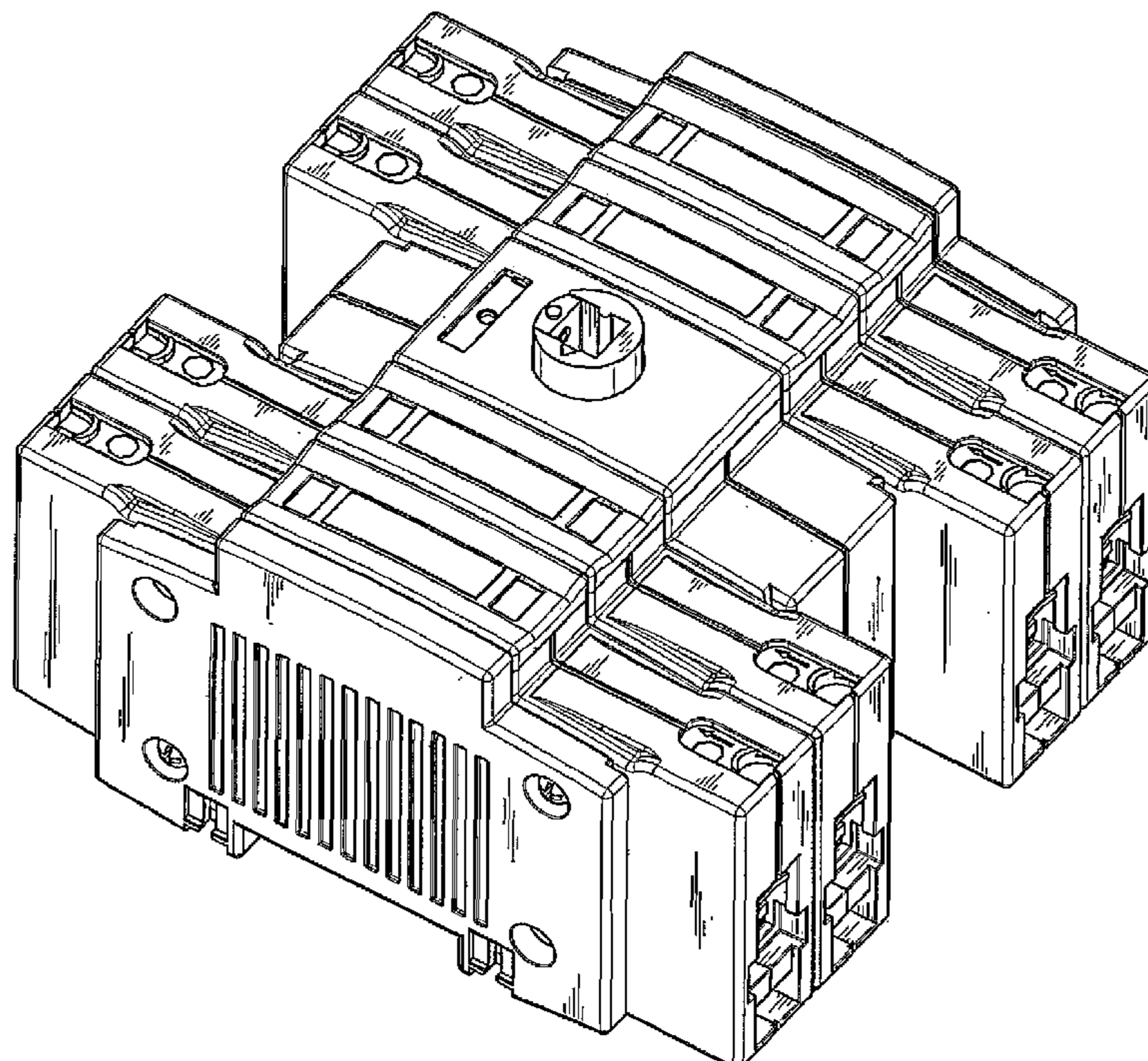


FIG 1

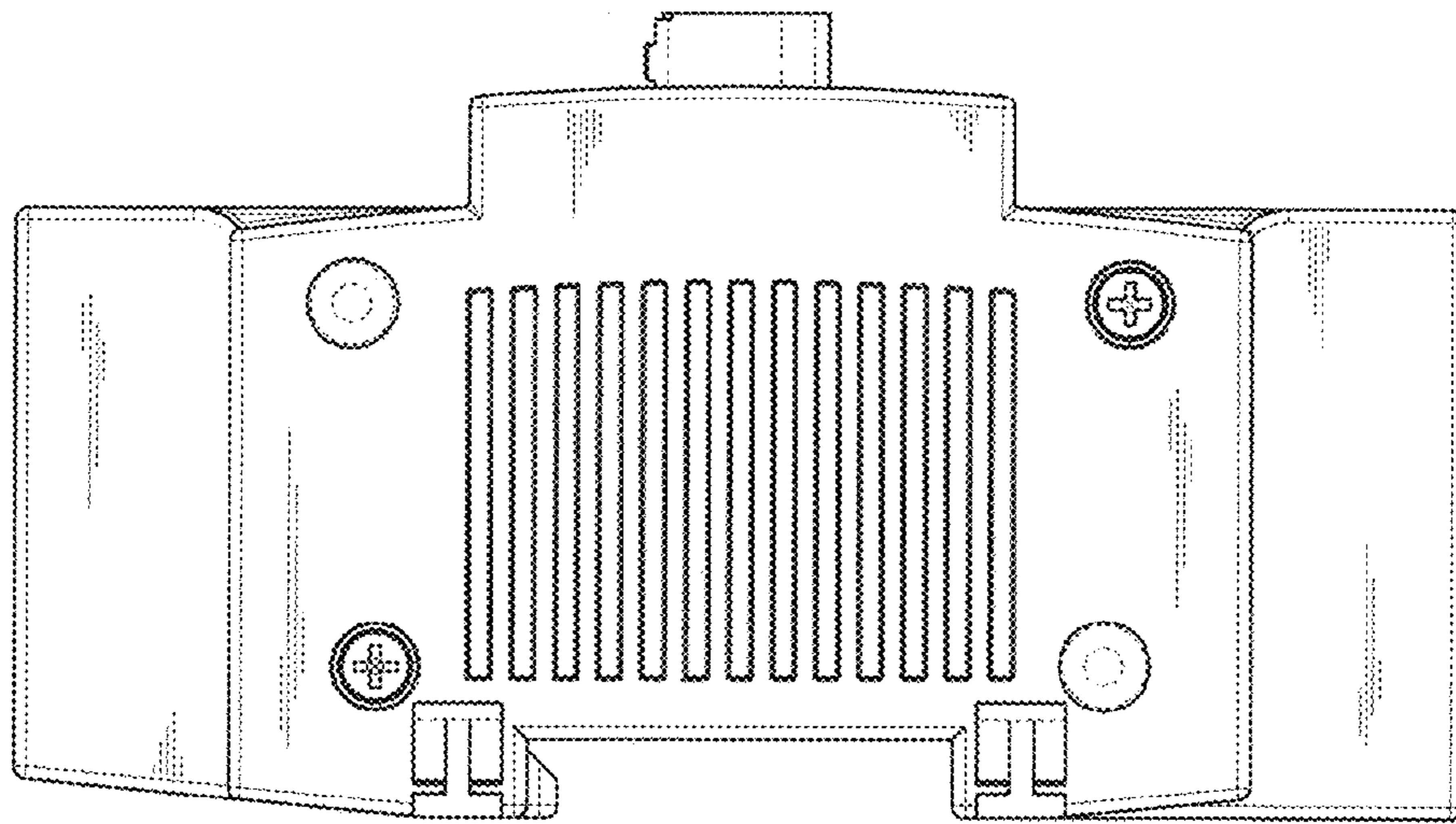


FIG 2

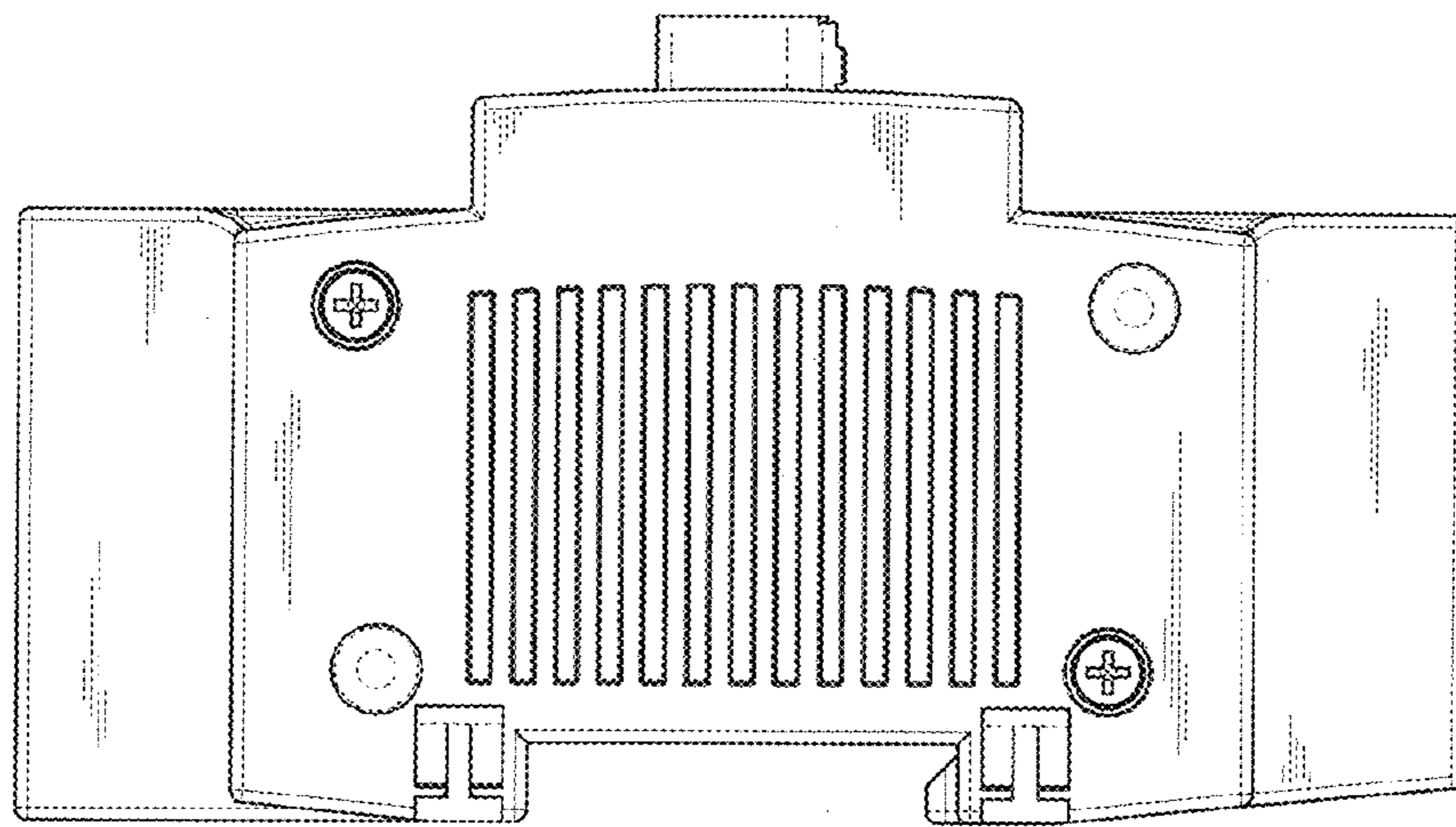


FIG.3

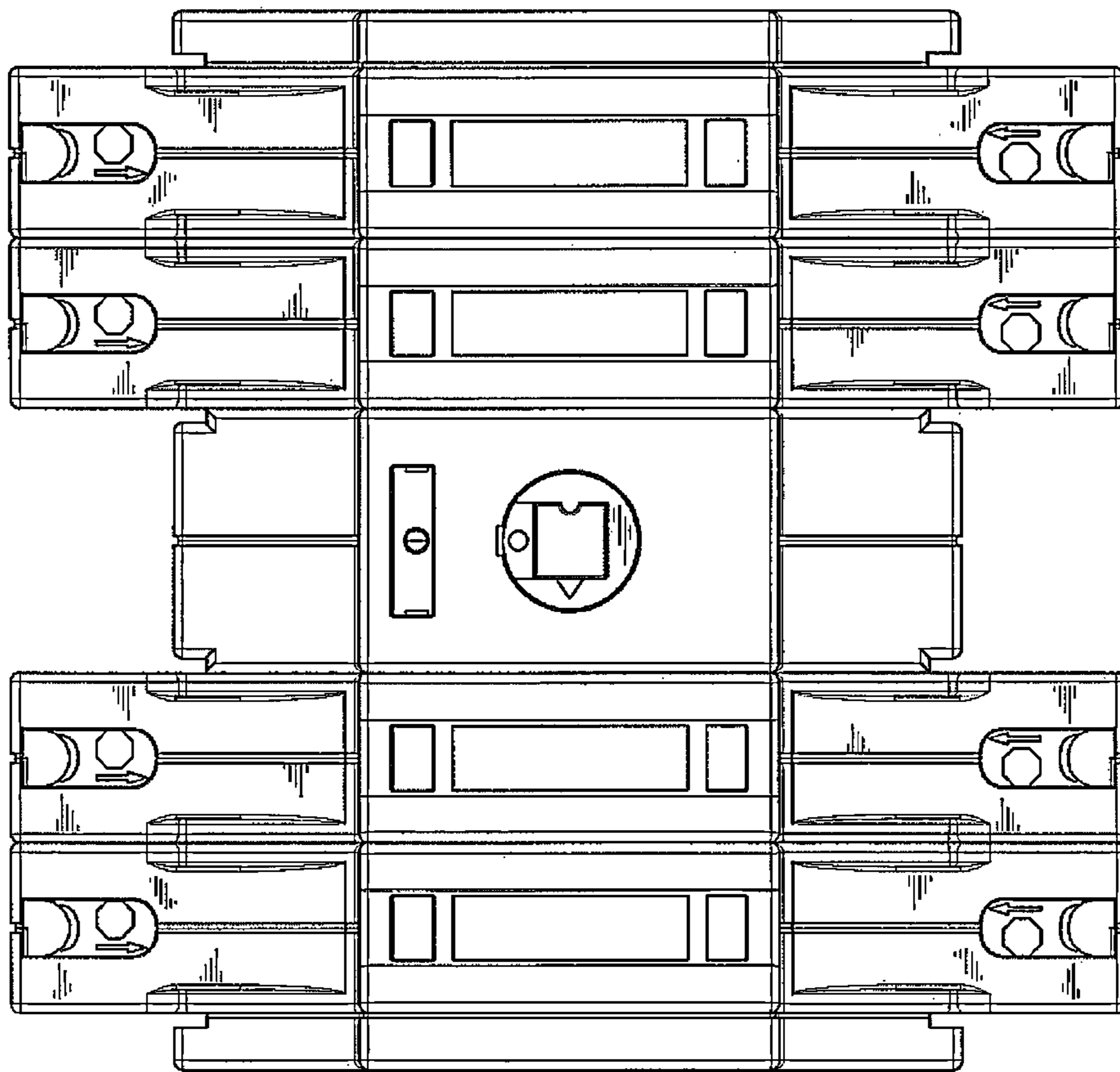




FIG 4

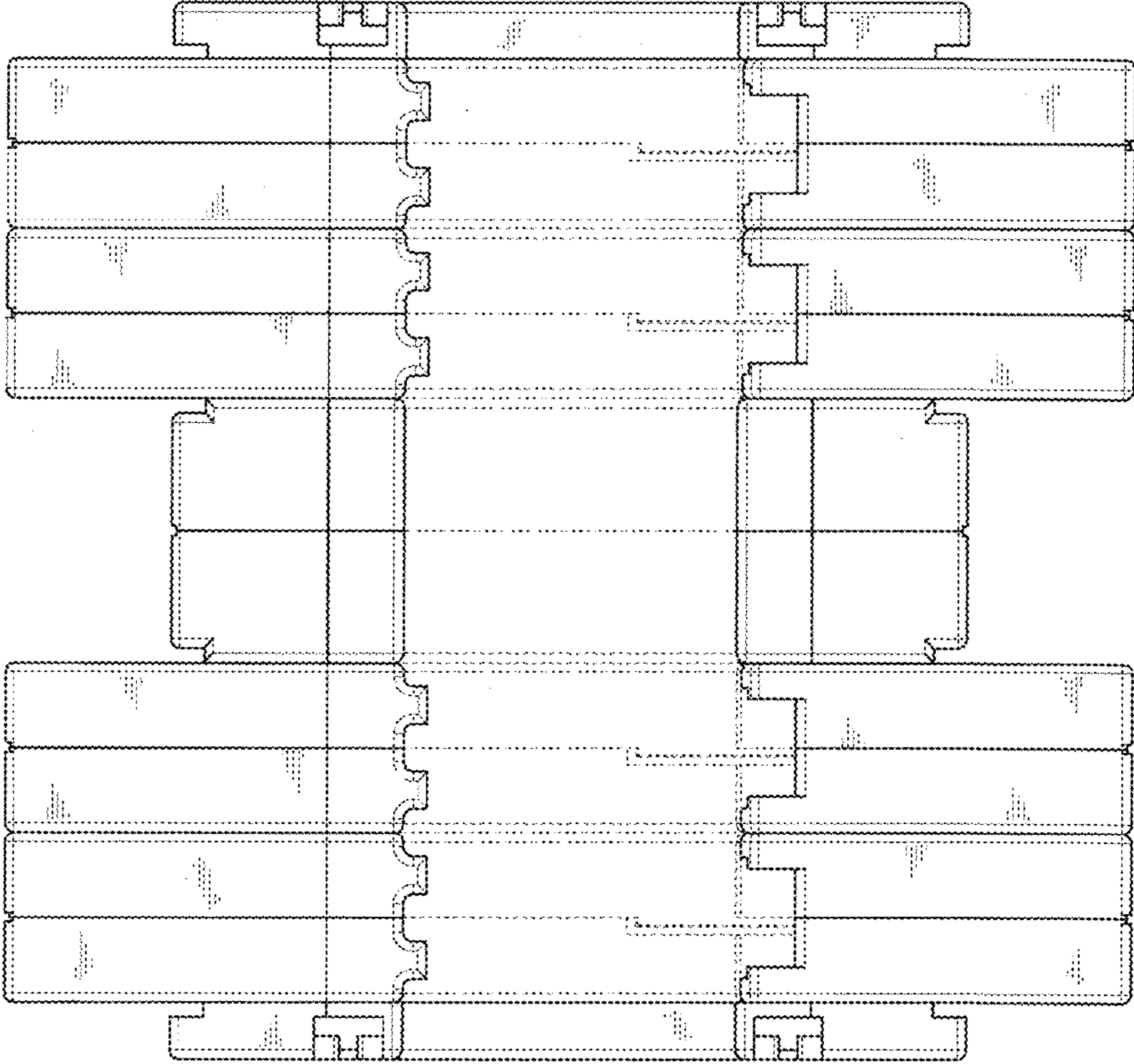


FIG 5

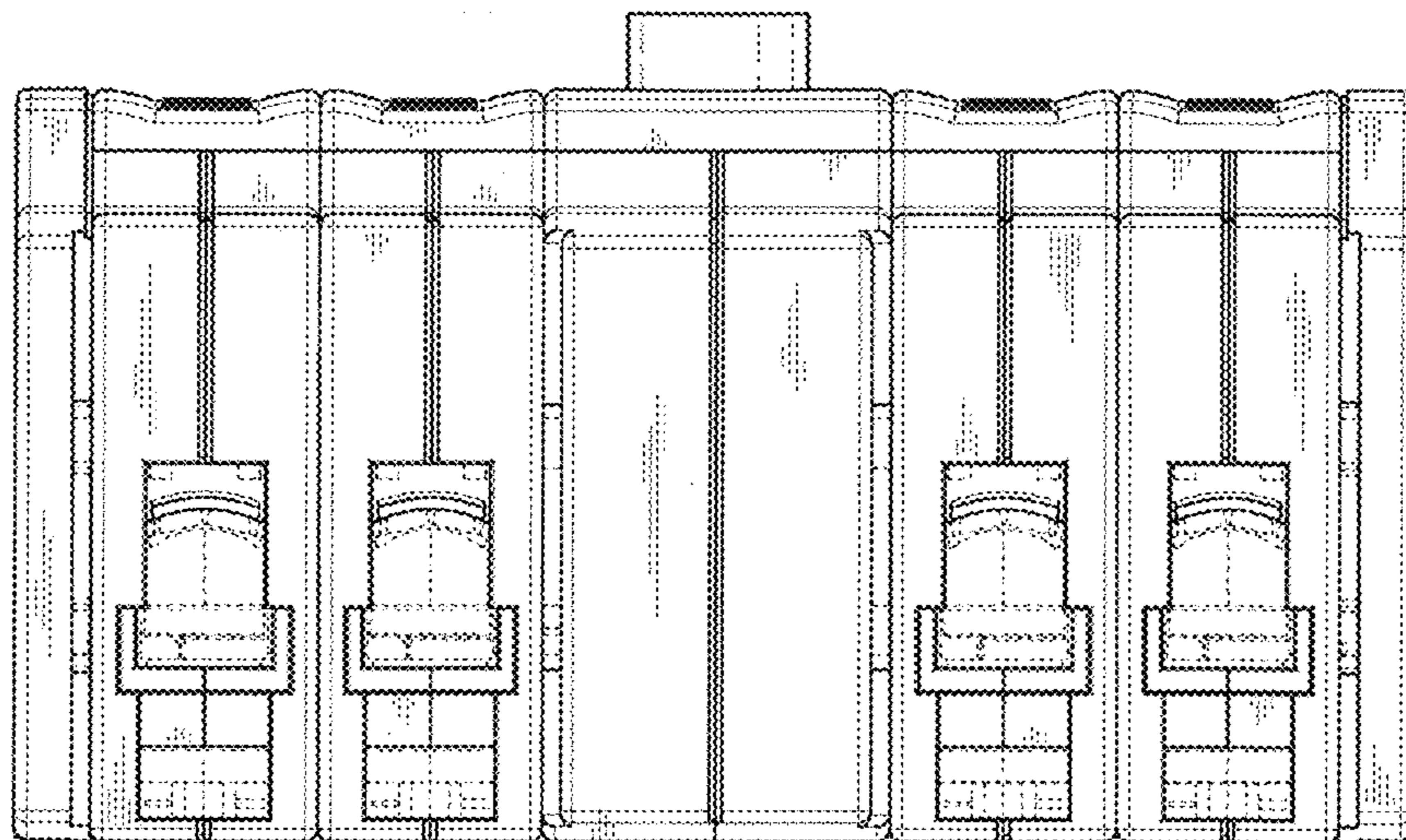


FIG 6

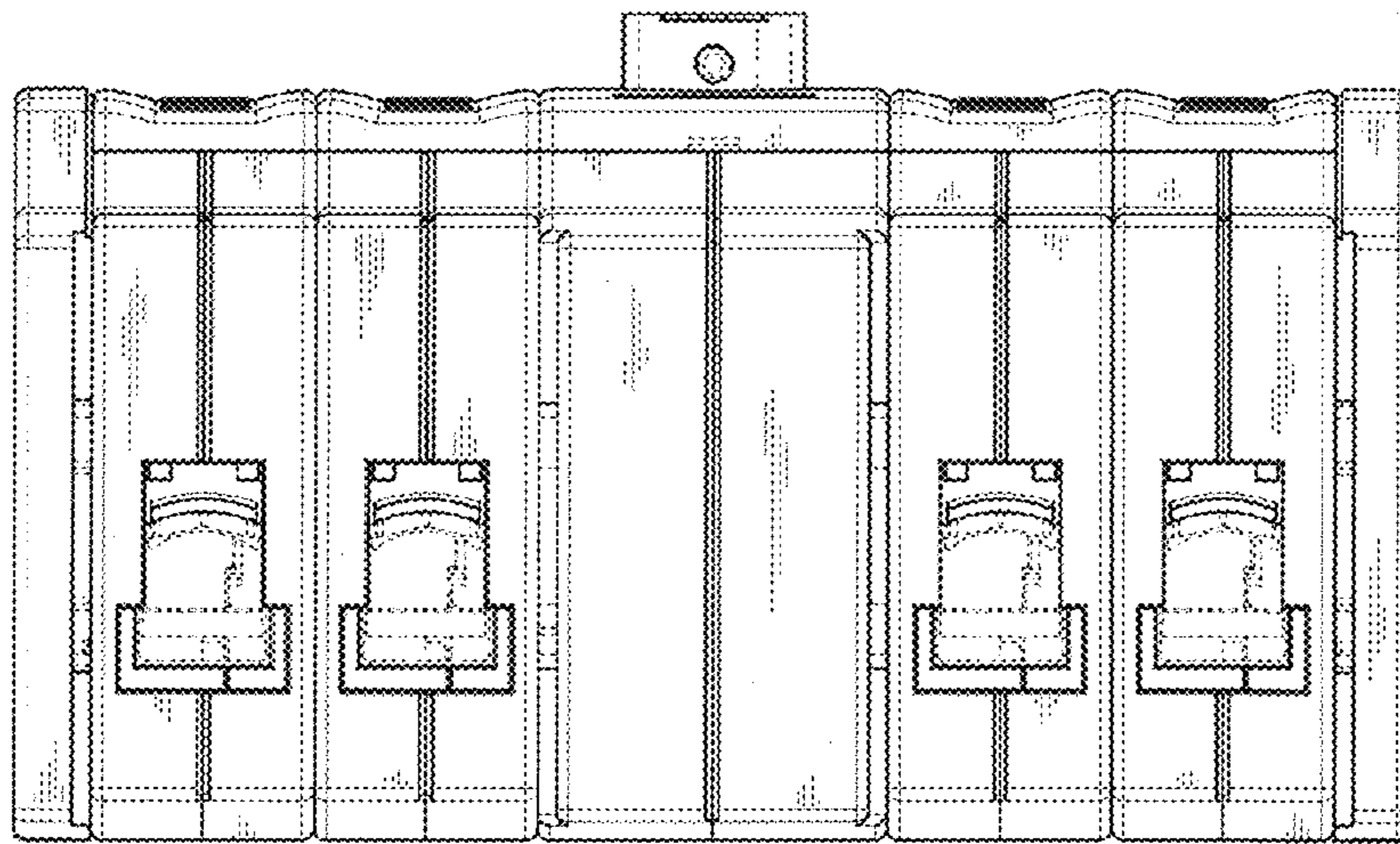


FIG.7

