



US00D740234S

(12) **United States Design Patent**  
**Johannessen**

(10) **Patent No.:** **US D740,234 S**

(45) **Date of Patent:** **\*\* Oct. 6, 2015**

(54) **BATTERY SWITCH**

(71) Applicant: **Power Products, LLC**, Menomonee Falls, WI (US)

(72) Inventor: **Nils G. Johannessen**, Auckland (NZ)

(73) Assignee: **Power Products, LLC**, Menomonee Falls, WI (US)

(\*\*) Term: **14 Years**

(21) Appl. No.: **29/472,102**

(22) Filed: **Nov. 8, 2013**

(51) **LOC (10) Cl.** ..... **13-03**

(52) **U.S. Cl.**  
USPC ..... **D13/158**; D13/119

(58) **Field of Classification Search**  
USPC ..... D13/158, 119, 162, 168, 174, 177;  
D8/311, 350; D10/49, 50; 200/11 R,  
200/568; 74/480 B

CPC ..... H01H 19/14  
See application file for complete search history.

(56) **References Cited**

**U.S. PATENT DOCUMENTS**

578,695	A *	3/1897	Gibbs	.....	200/336
2,704,466	A *	3/1955	Way	.....	74/528
D208,814	S *	10/1967	Smith	.....	D10/50
D213,698	S *	4/1969	Pelletier	.....	D13/158
3,668,594	A *	6/1972	Kulick	.....	337/380
D260,637	S *	9/1981	Hollenbeck, Jr.	.....	D13/158
4,334,492	A *	6/1982	Klingler	.....	116/309
4,409,861	A *	10/1983	Sakurai	.....	74/501.6
4,532,387	A *	7/1985	Pliml, Jr.	.....	200/11 R
D309,447	S *	7/1990	Bandari	.....	D13/158

D408,366	S *	4/1999	Popadiuk	.....	D13/158
D409,151	S *	5/1999	Berger et al.	.....	D13/158
D420,649	S *	2/2000	Renne et al.	.....	D13/158
D456,012	S *	4/2002	Pratt	.....	D13/171
D531,117	S *	10/2006	Schrick et al.	.....	D13/103
D533,842	S *	12/2006	Tohyama et al.	.....	D13/158
D562,317	S *	2/2008	Lagerberg et al.	.....	D14/358

**OTHER PUBLICATIONS**

Mastervolt/Marinco Standard Battery Switch Models 701, 701S, 701PM.

\* cited by examiner

*Primary Examiner* — Paula Greene

(74) *Attorney, Agent, or Firm* — Michael Best & Friedrich LLP

(57) **CLAIM**

The ornamental design for a battery switch, as shown and described.

**DESCRIPTION**

FIG. 1 is a front perspective view of a battery switch showing our new design;  
FIG. 2 is a front elevational view thereof;  
FIG. 3 is a top elevational view thereof;  
FIG. 4 is a right side elevational view thereof, the left side elevational view thereof being the mirror image of FIG. 4.  
FIG. 5 is a rear elevational view thereof; and,  
FIG. 6 is a bottom elevational view thereof.  
The broken line representations of portions of the switch in FIGS. 1-6 are shown for illustrative purposes only and form no part of the claimed design.

**1 Claim, 6 Drawing Sheets**

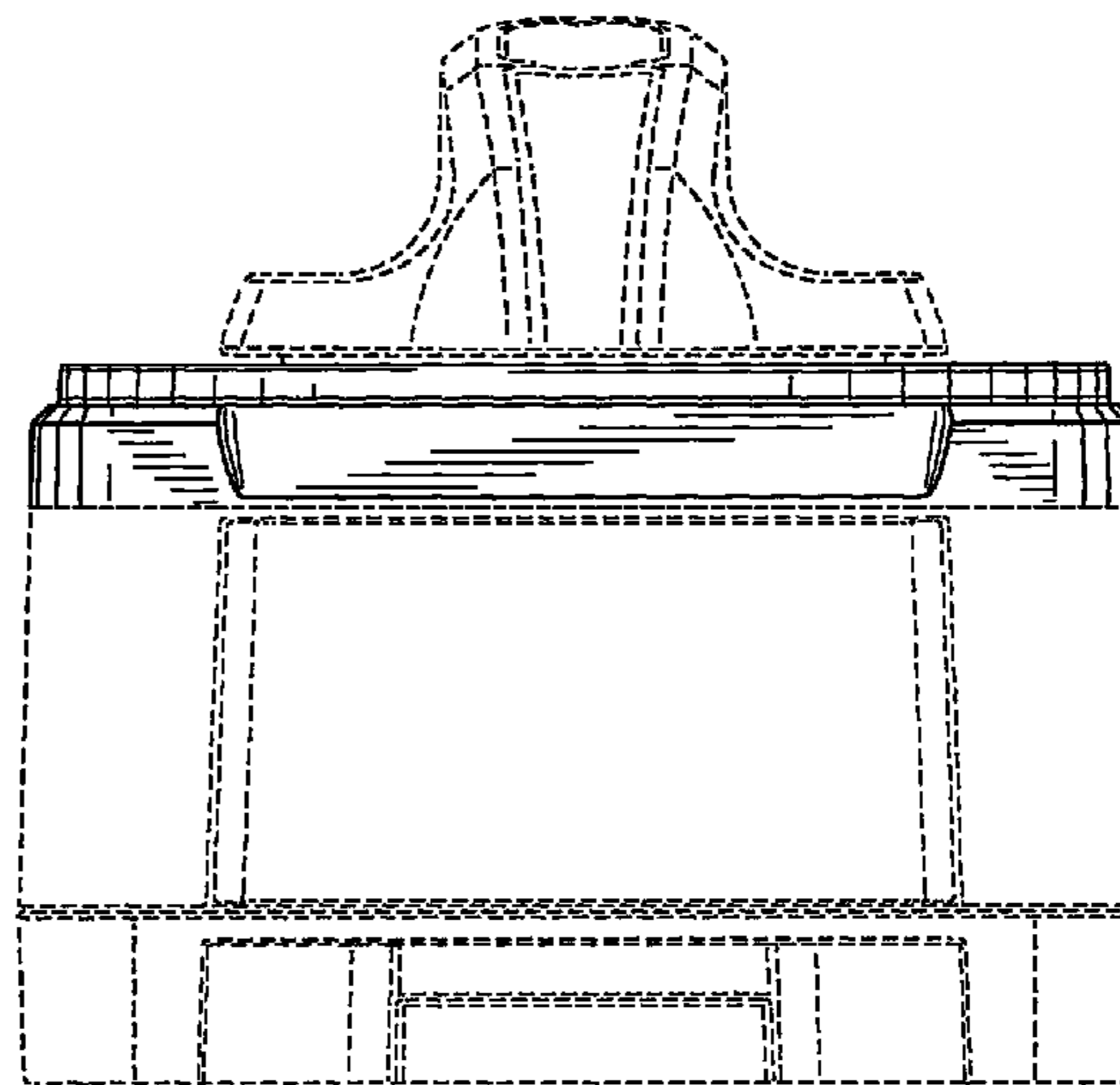
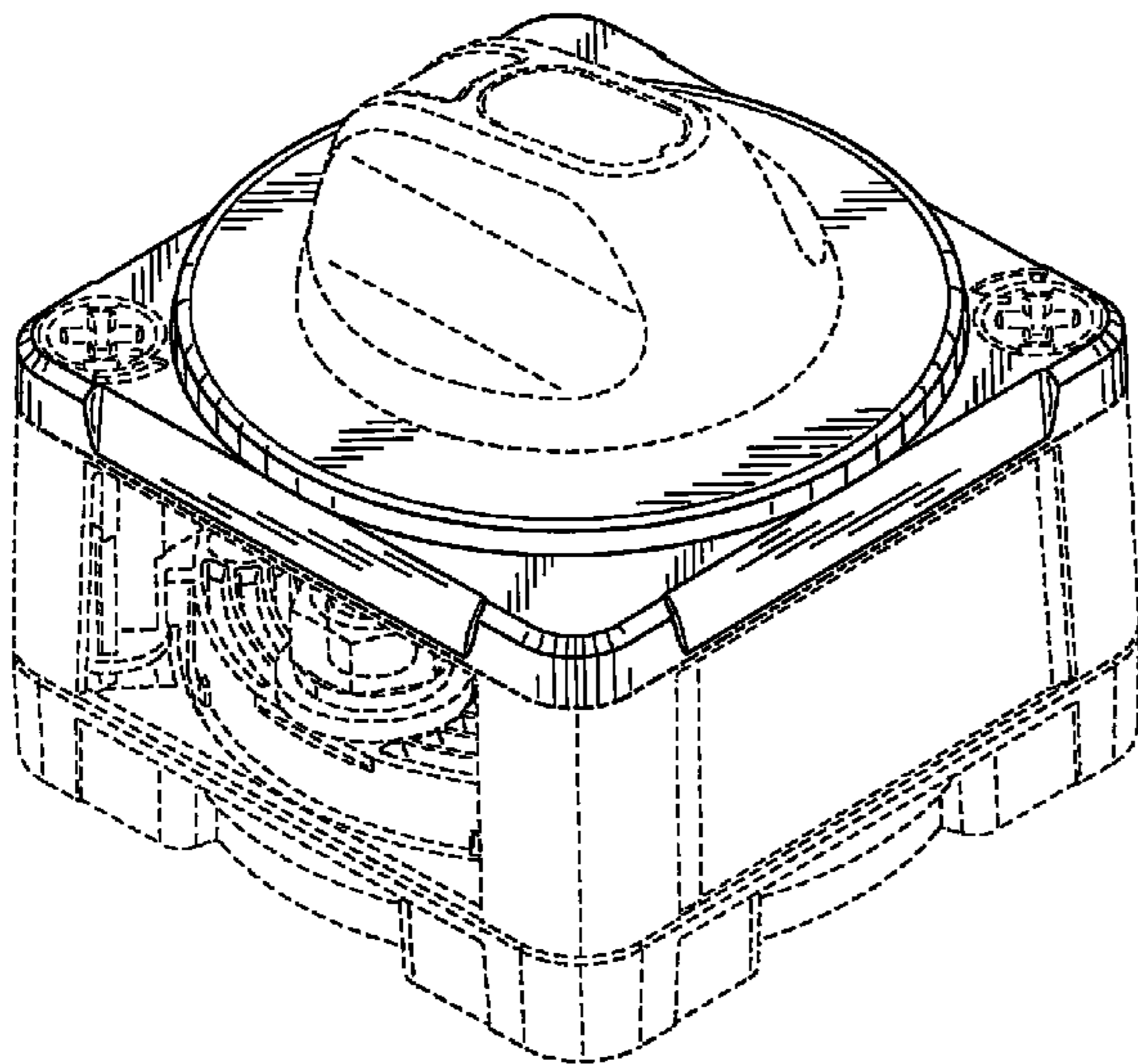
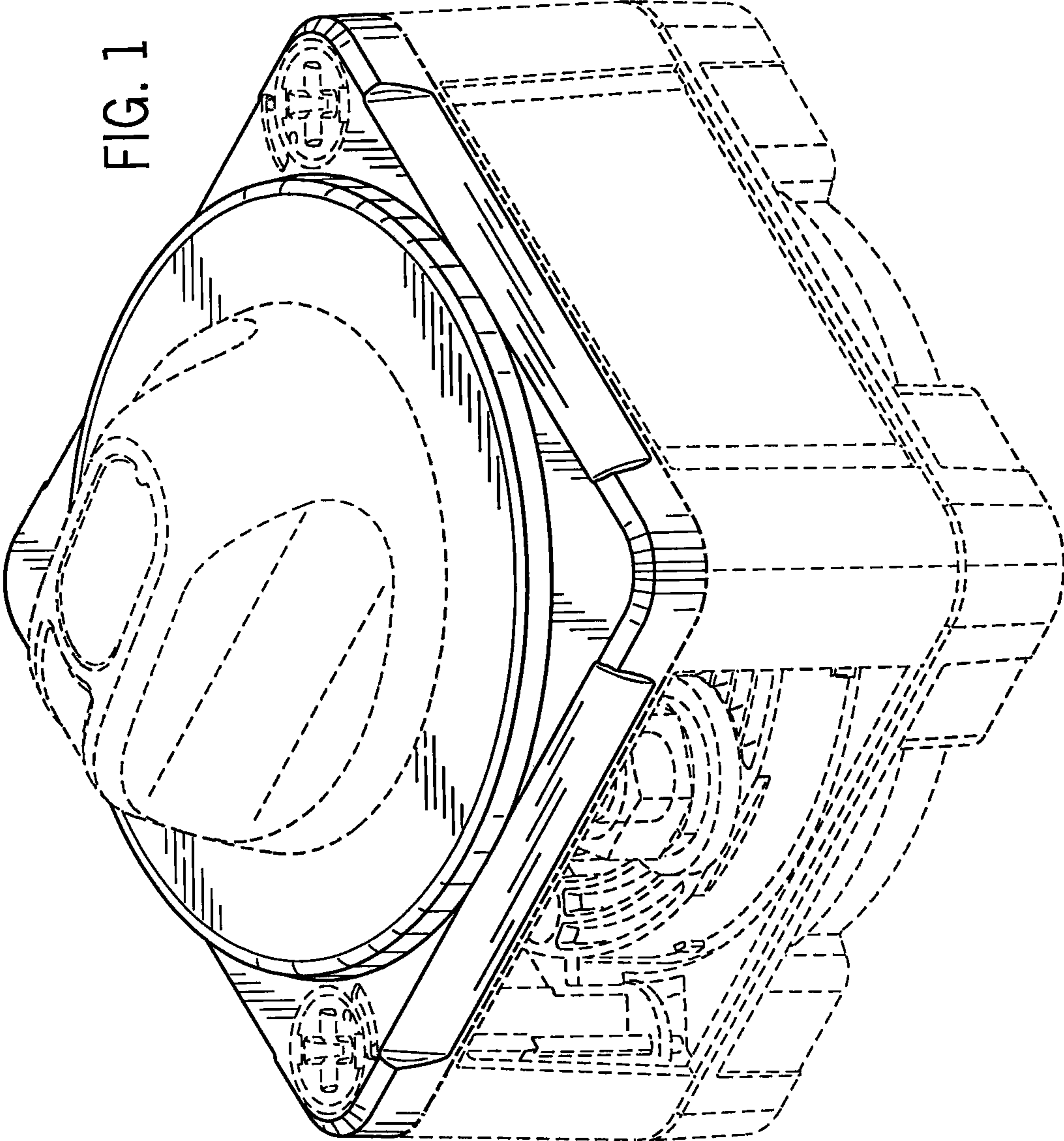


FIG. 1



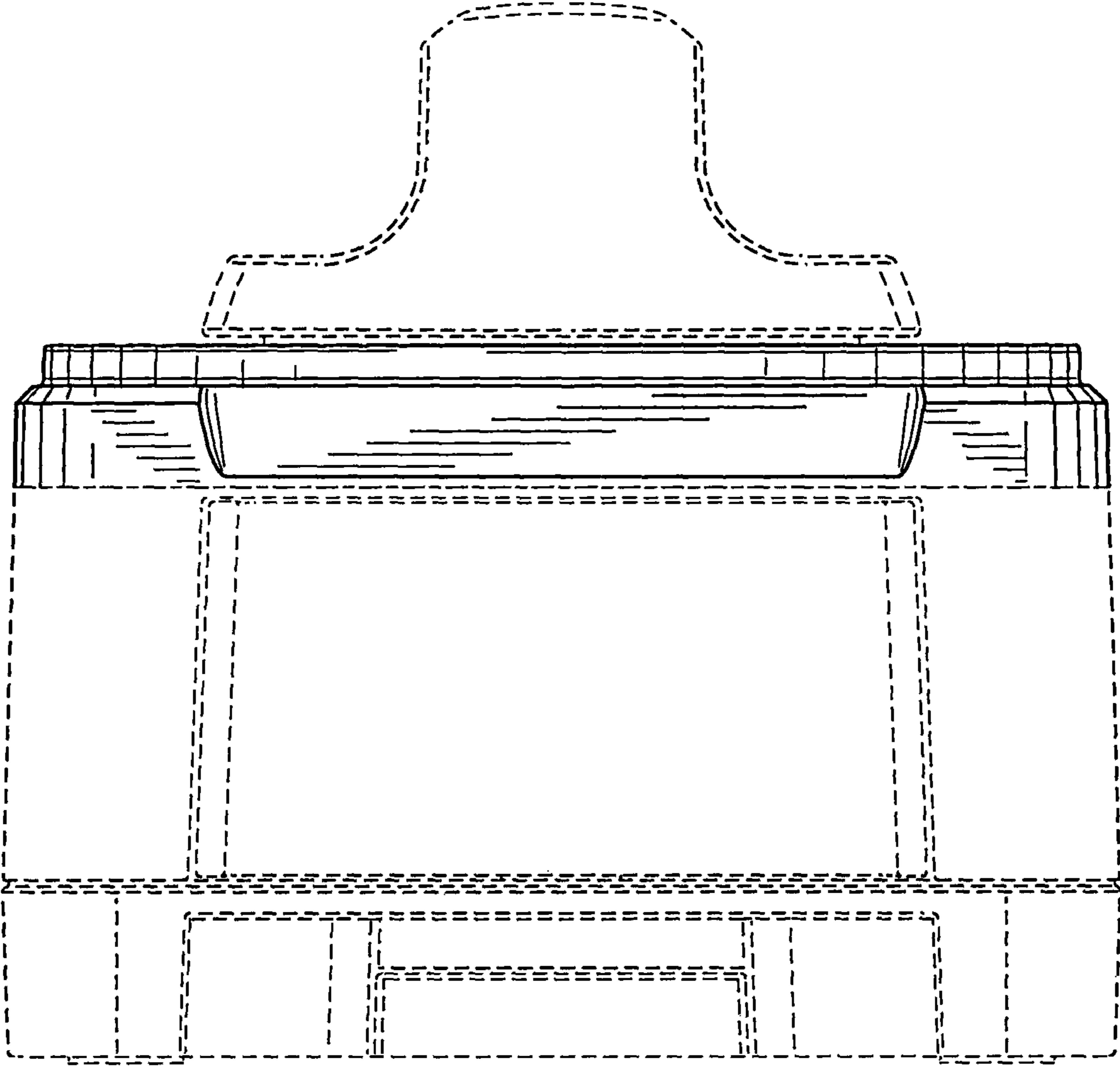


FIG. 2

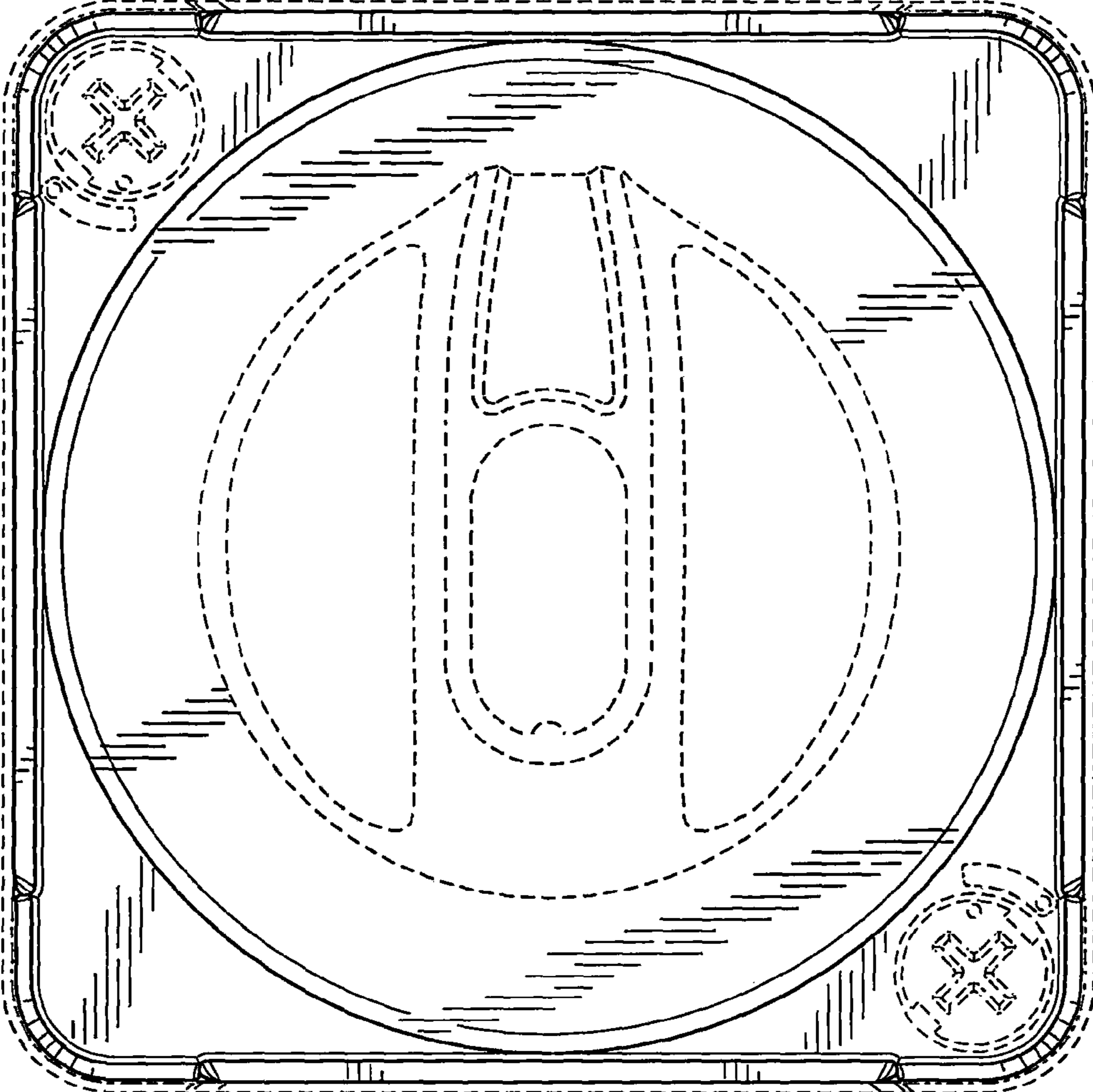


FIG. 3



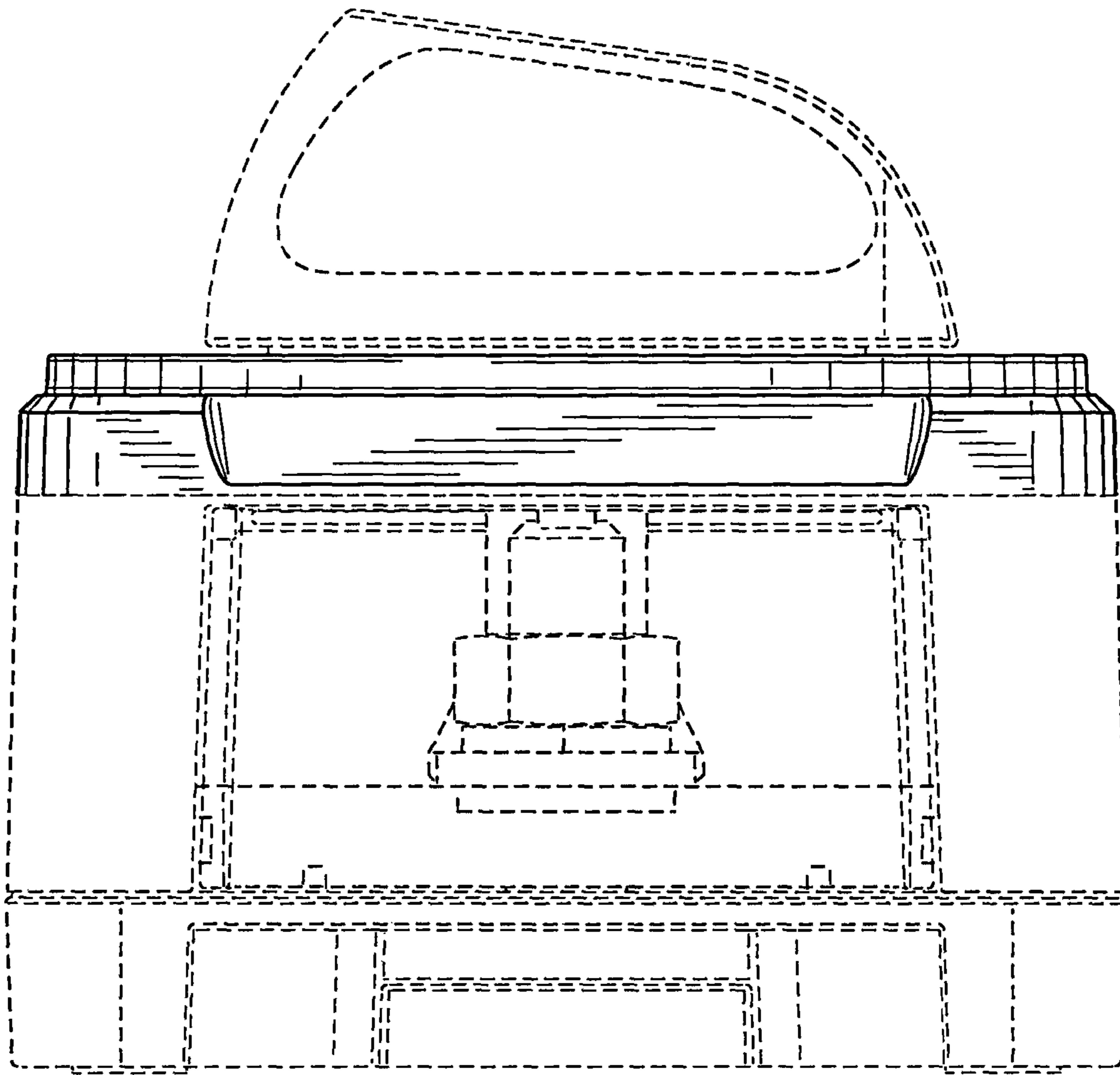


FIG. 4

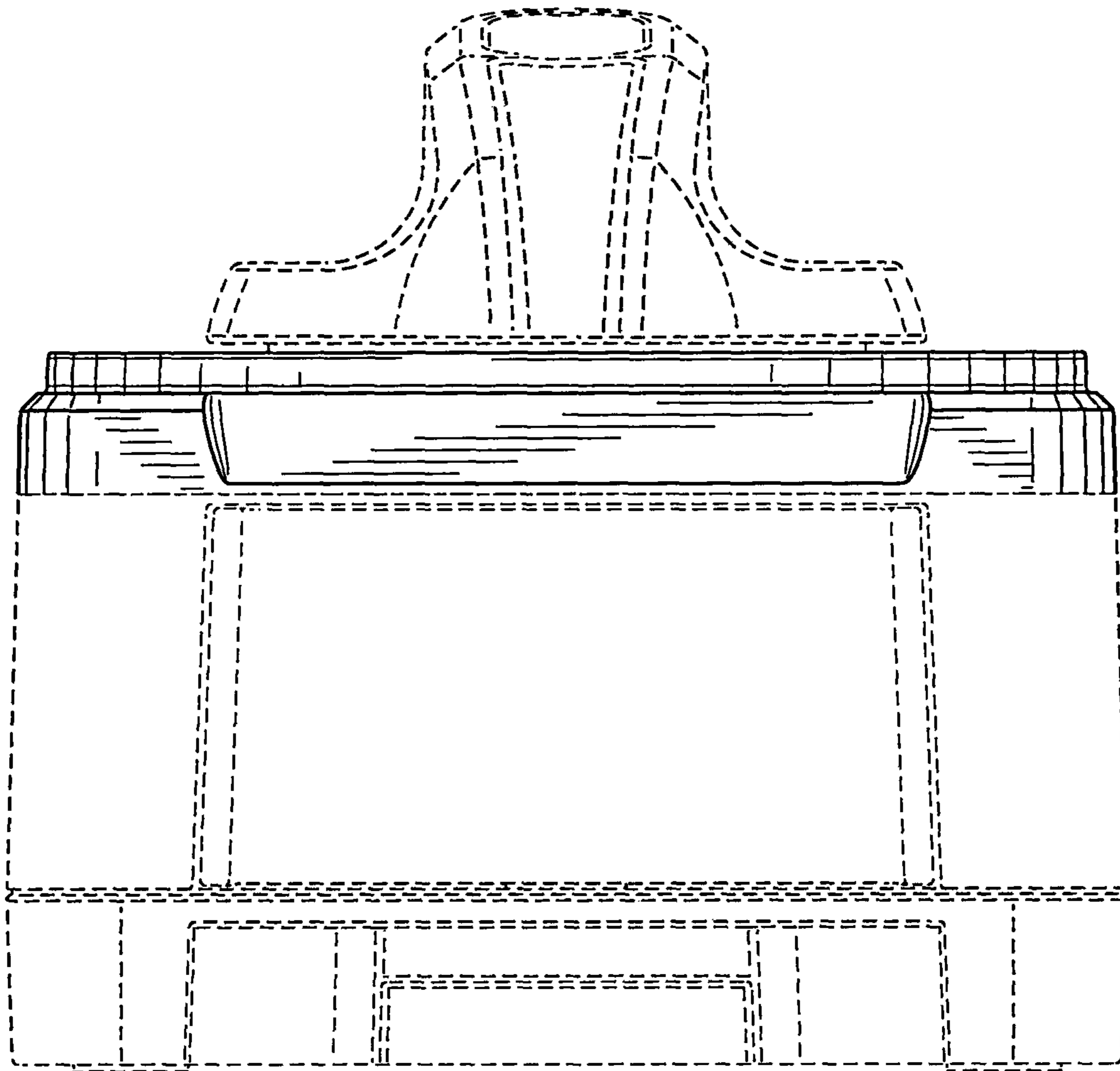


FIG. 5

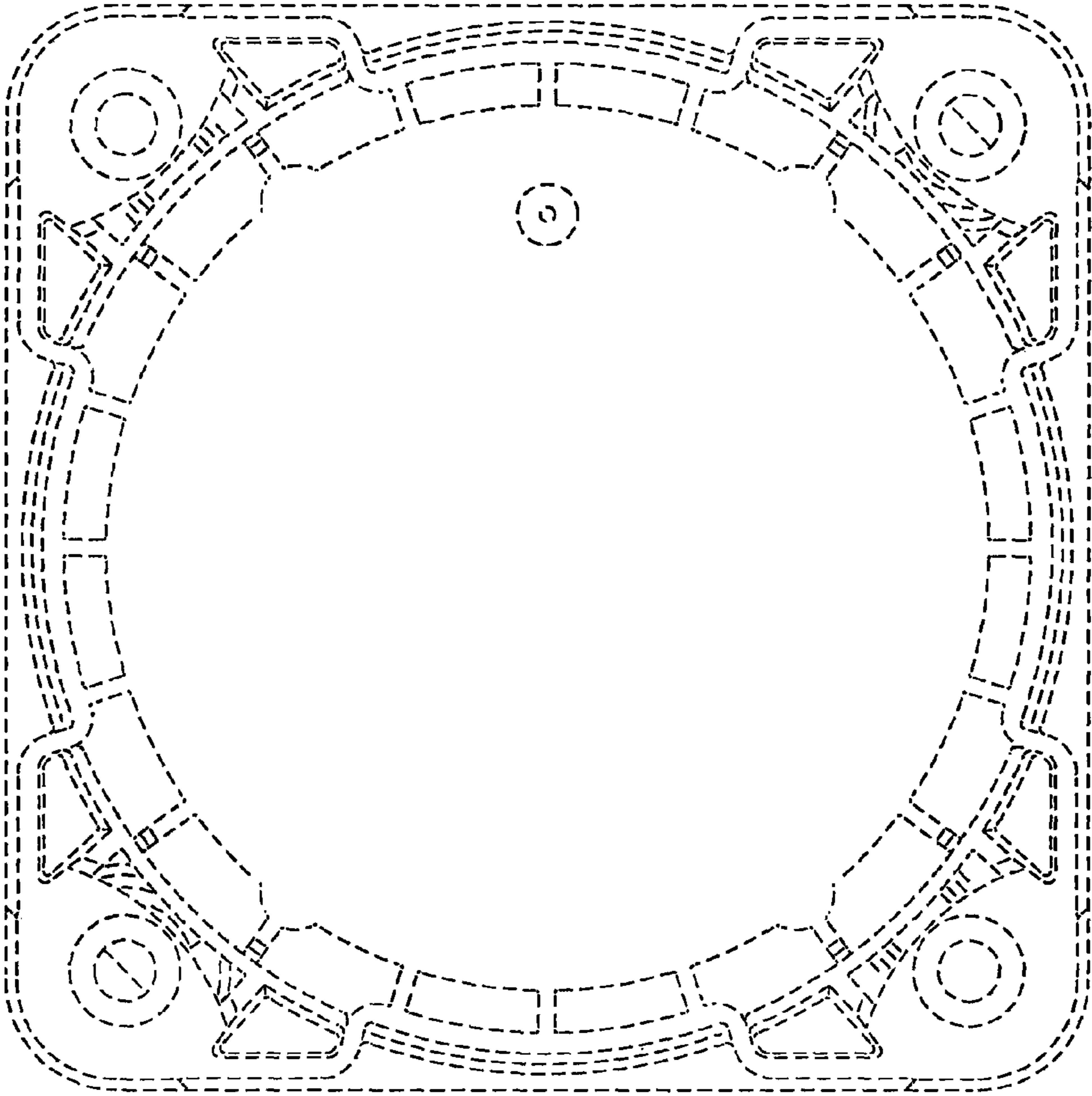


FIG. 6