



US00D740233S

(12) **United States Design Patent**
Johnson

(10) **Patent No.:** **US D740,233 S**

(45) **Date of Patent:** **** Oct. 6, 2015**

(54) **ACTIVATOR SHIELD**

(71) Applicant: **Thomas C. Johnson**, Roseau, MN (US)

(72) Inventor: **Thomas C. Johnson**, Roseau, MN (US)

(**) Term: **14 Years**

(21) Appl. No.: **29/474,266**

(22) Filed: **Jul. 28, 2014**

(51) **LOC (10) Cl.** **13-03**

(52) **U.S. Cl.**
USPC **D13/156**

(58) **Field of Classification Search**
USPC D13/156, 133, 146, 152, 154, 155, 158,
D13/160, 173, 184, 199; 174/50, 53-55,
174/58-60, 64, 66, 67, 480, 481; 220/3.2,
220/3.3, 3.7-3.9, 241, 242; 439/180, 252,
439/269.1, 278, 374, 378, 527, 529, 533,
439/892, 894, 901; D8/349, 352, 499
CPC H02G 3/04; H02G 3/08; H02G 3/081;
H02G 3/14

See application file for complete search history.

(56) **References Cited**

U.S. PATENT DOCUMENTS

2,718,867	A	9/1955	Ray	
D227,989	S	* 7/1973	Geisel	D13/156
4,176,758	A	* 12/1979	Glick	220/3.3
5,088,323	A	2/1992	Johnson et al.	
D629,366	S	* 12/2010	Ericson et al.	D13/156
D642,990	S	* 8/2011	Montena et al.	D13/156

* cited by examiner

Primary Examiner — Derrick Holland

(74) *Attorney, Agent, or Firm* — Richard John Bartz

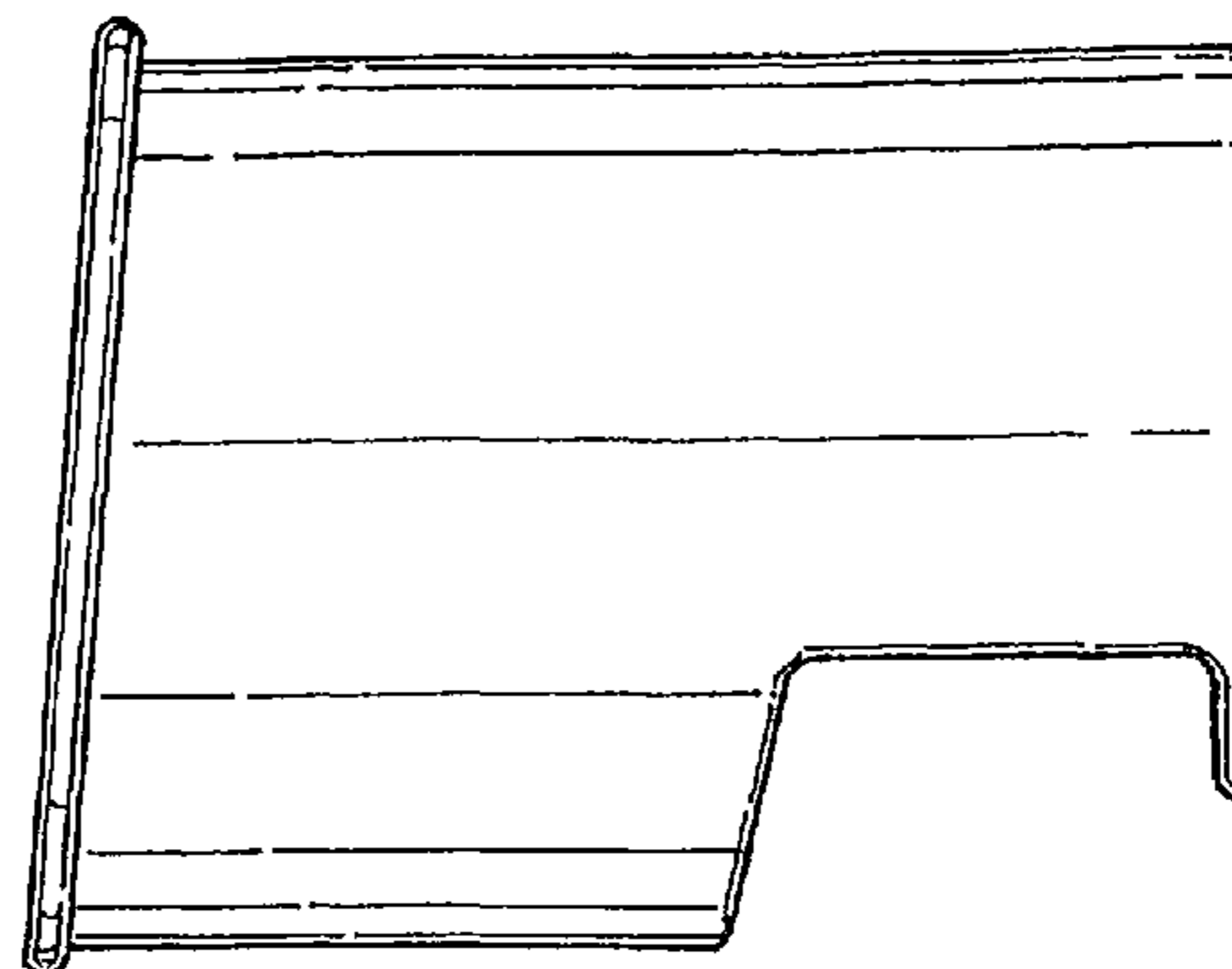
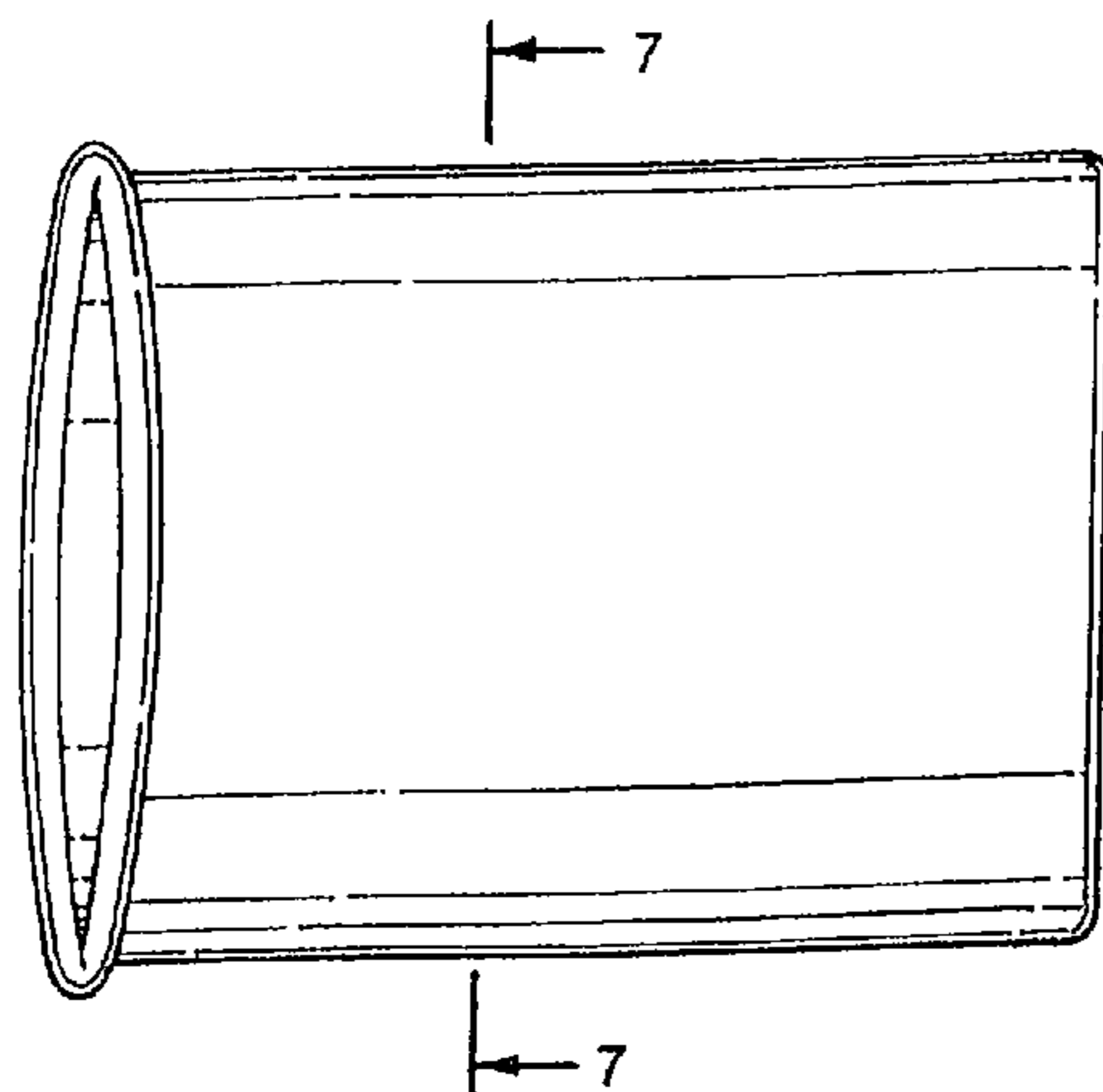
(57) **CLAIM**

The ornamental design for an activator shield, as shown and described.

DESCRIPTION

FIG. 1 is a top plan view of an activator shield showing my new design;
FIG. 2 is a front view thereof;
FIG. 3 is a rear view thereof;
FIG. 4 is a side view thereof;
FIG. 5 is another side view thereof, opposite that of FIG. 4;
FIG. 6 is a bottom plan view thereof; and,
FIG. 7 is a cross-sectional view thereof taken along line 7-7 of FIG. 1.

1 Claim, 3 Drawing Sheets



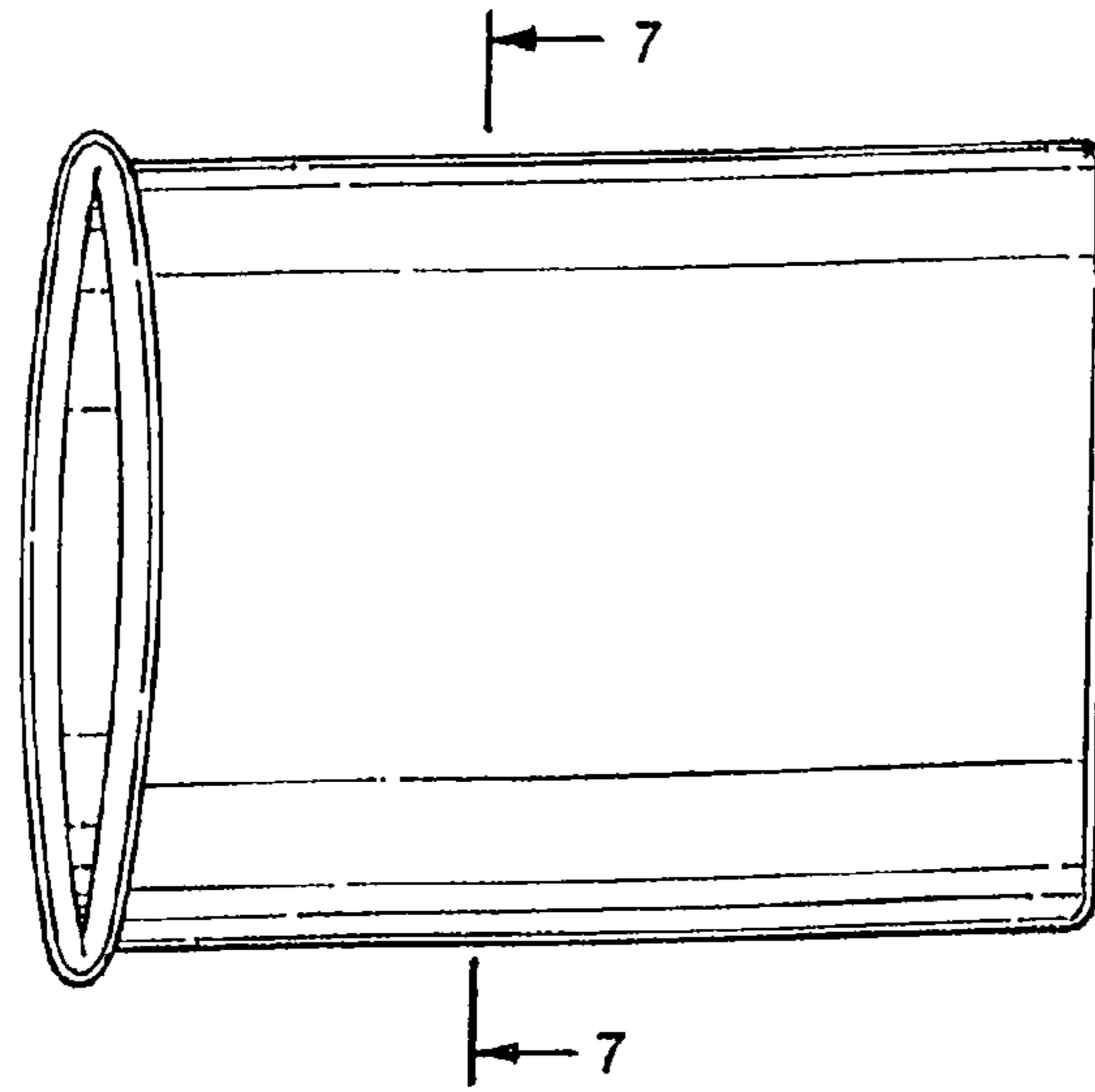


FIG. 1

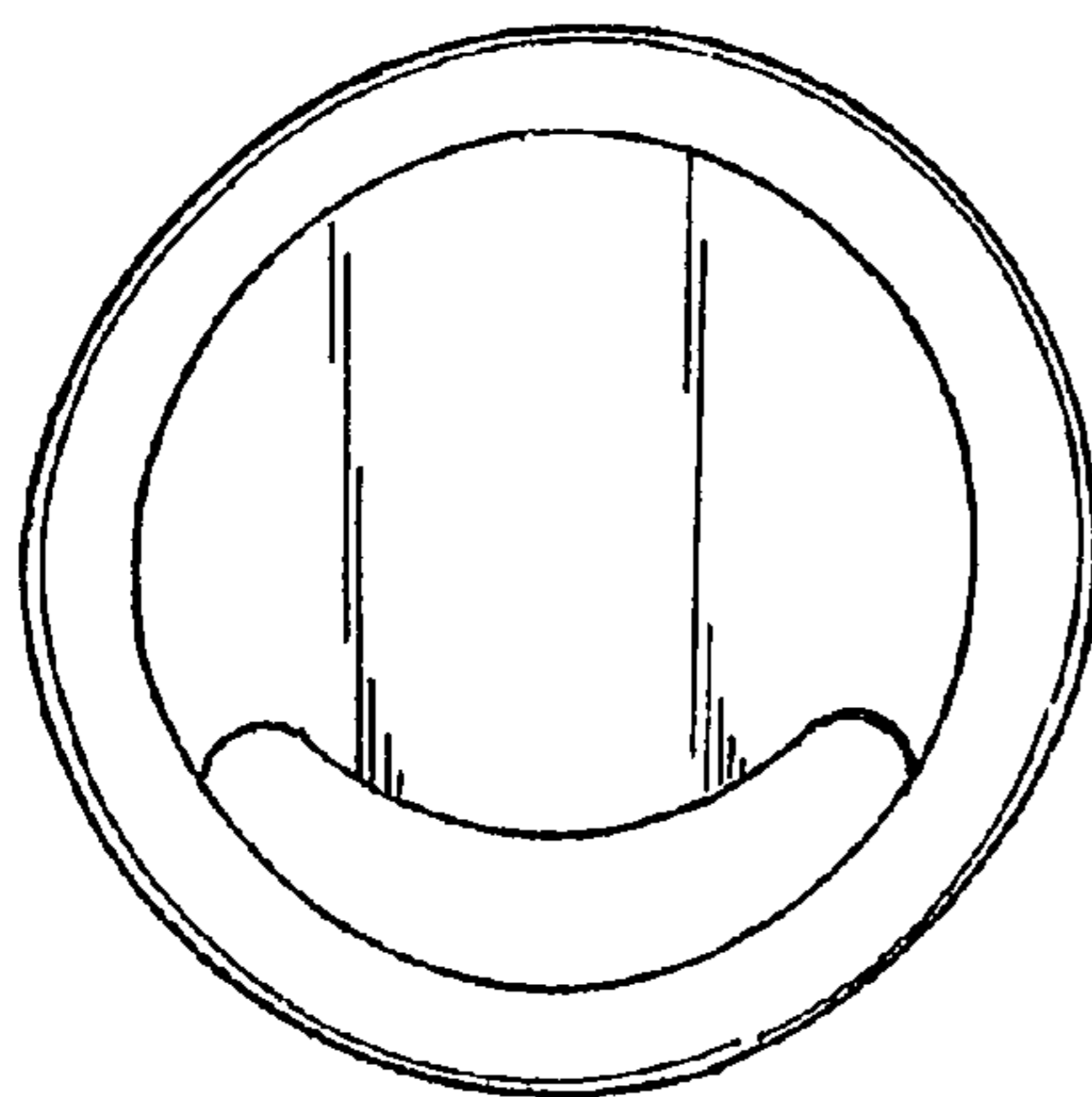


FIG. 2

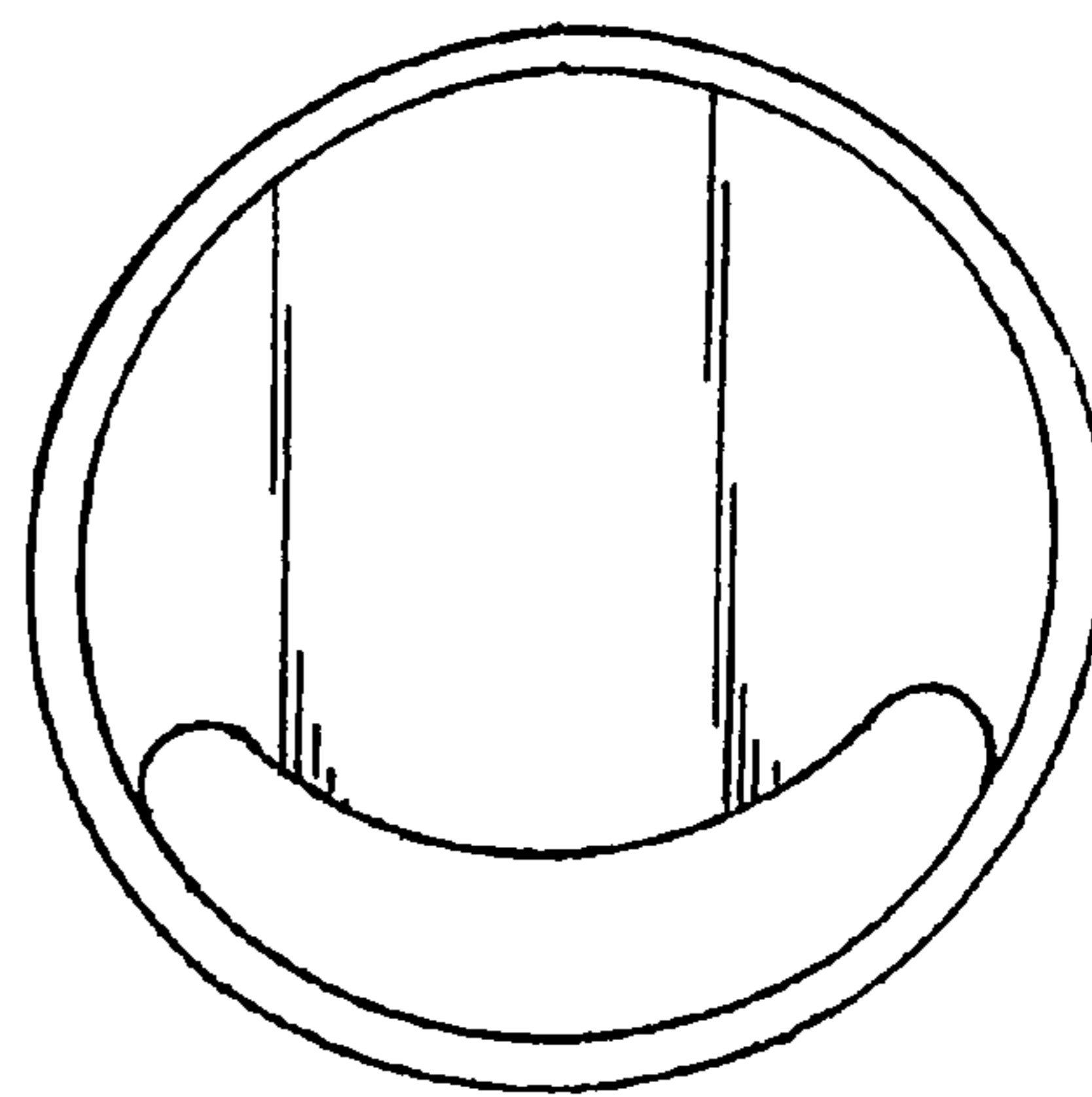


FIG. 3

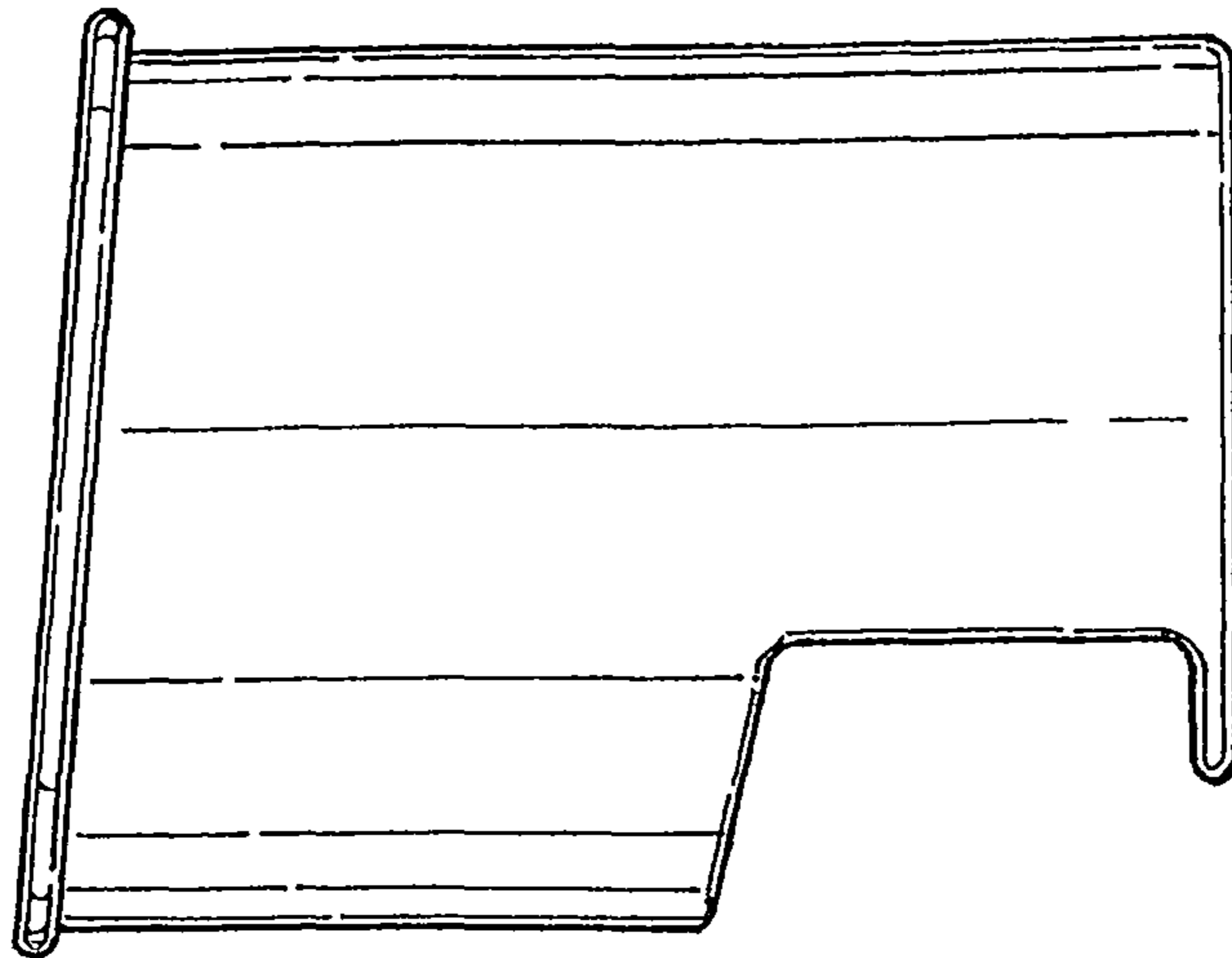


FIG. 4

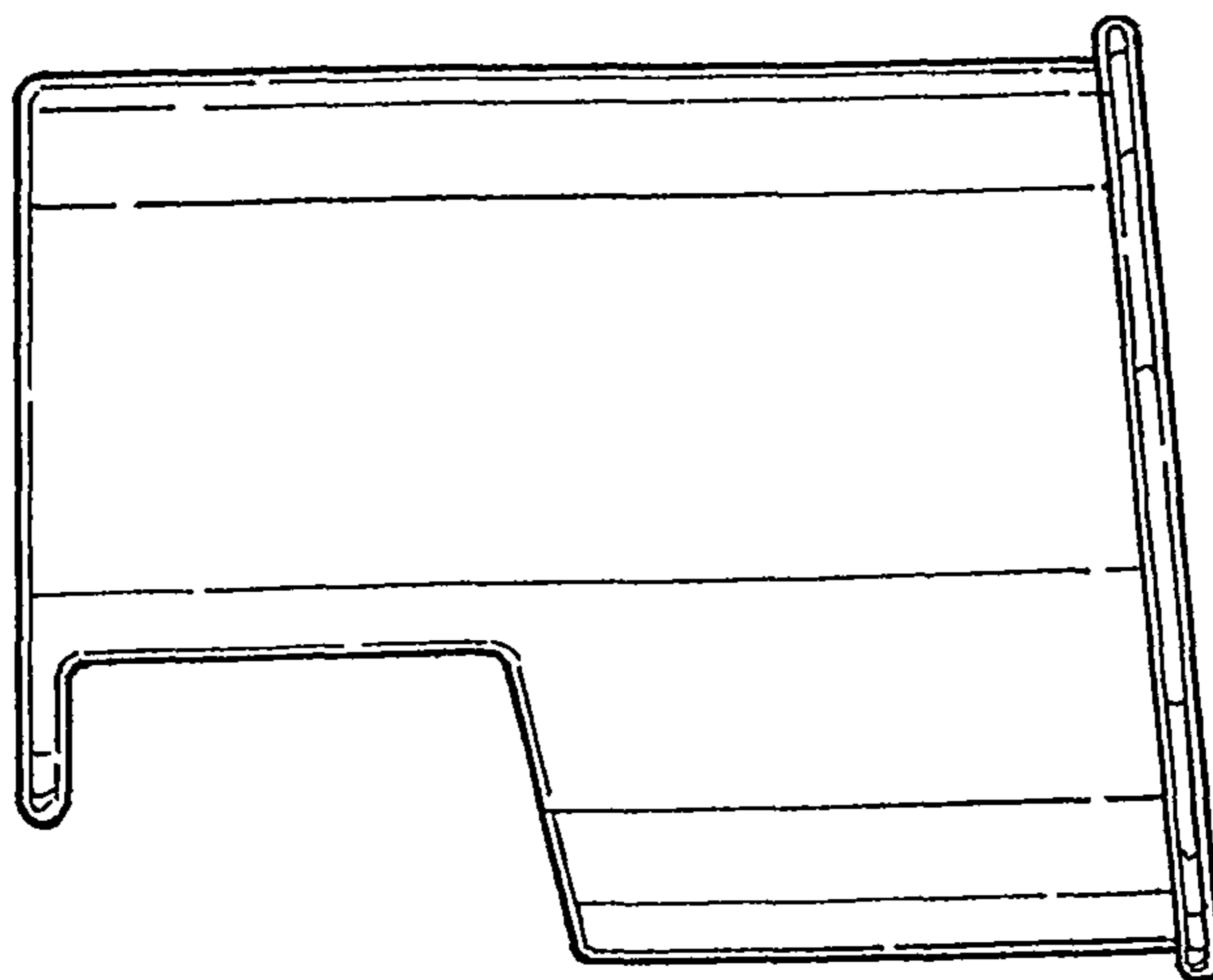


FIG. 5

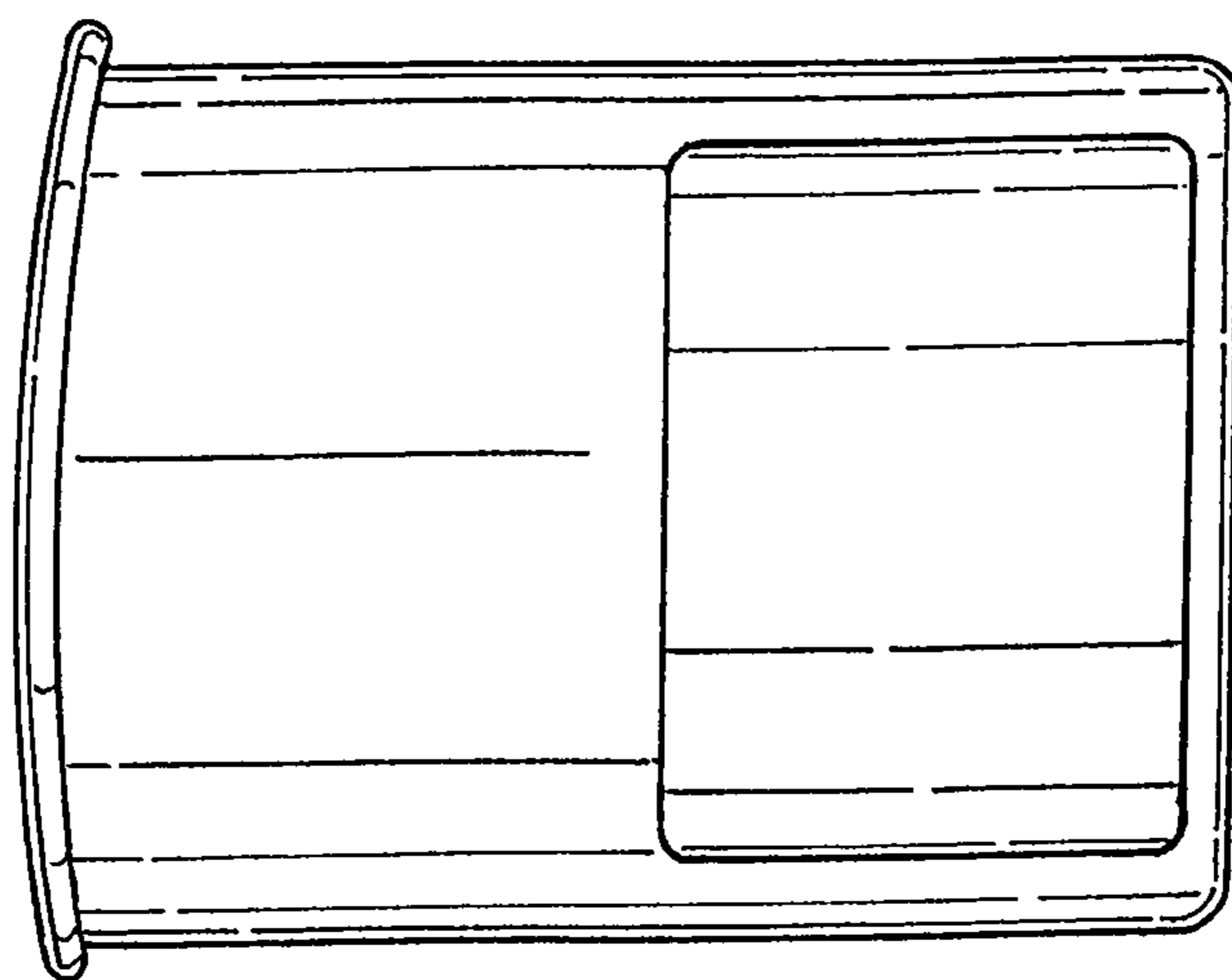


FIG. 6

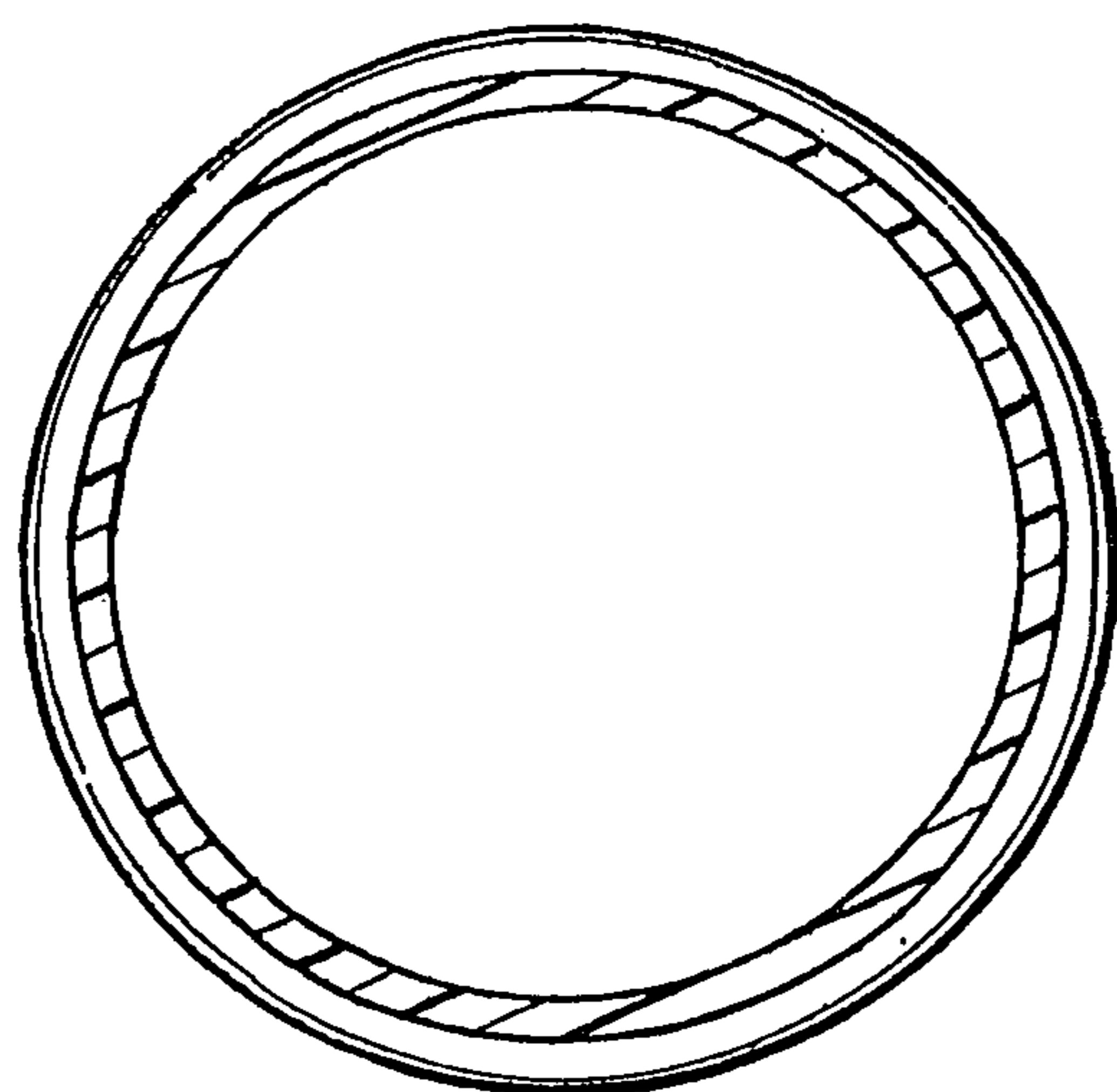


FIG. 7