



US00D740231S

(12) **United States Design Patent**
Min et al.

(10) **Patent No.:** **US D740,231 S**
(45) **Date of Patent:** **** Oct. 6, 2015**

(54) **RELAY RETAINING BRACKET**
(71) Applicant: **Phoenix Contact GmbH & Co. KG,**
Blomberg (DE)
(72) Inventors: **Che Min,** Nanjing (CN); **Sun Degan,**
Nanjing (CN)
(73) Assignee: **Phoenix Contact GmbH & Co. KG,**
Blomberg (DE)
(**) Term: **14 Years**
(21) Appl. No.: **29/434,052**

| | | | | |
|-----------|------|---------|-----------------------|---------|
| 6,402,534 | B2 * | 6/2002 | Okabe et al. | 439/157 |
| 6,406,310 | B2 * | 6/2002 | Schmid | 439/157 |
| D471,158 | S * | 3/2003 | Yano et al. | D13/147 |
| D471,866 | S * | 3/2003 | Yano et al. | D13/147 |
| D471,876 | S * | 3/2003 | Jaag | D13/154 |
| 6,629,852 | B2 * | 10/2003 | Mori et al. | 439/160 |
| 7,267,564 | B2 * | 9/2007 | Bauman et al. | 439/157 |
| 7,361,036 | B2 * | 4/2008 | Pittenger et al. | 439/157 |
| D578,127 | S * | 10/2008 | Crisp et al. | D14/432 |
| 7,559,778 | B2 * | 7/2009 | Pittenger et al. | 439/157 |
| 7,559,779 | B1 * | 7/2009 | Caines et al. | 439/157 |
| 7,670,157 | B2 * | 3/2010 | Miyamoto | 439/157 |
| 7,695,297 | B2 * | 4/2010 | Pittenger et al. | 439/157 |
| 7,854,619 | B2 * | 12/2010 | Takahashi et al. | 439/157 |
| 8,033,843 | B2 * | 10/2011 | Ambo et al. | 439/157 |

(Continued)

(22) Filed: **Oct. 9, 2012**
(30) **Foreign Application Priority Data**

Apr. 12, 2012 (EM) 002024190-0001

(51) **LOC (10) Cl.** **13-03**
(52) **U.S. Cl.**
USPC **D13/154; D13/159**
(58) **Field of Classification Search**
USPC D13/159, 154, 173, 147, 133, 158, 184,
D13/199, 160; 439/157, 372, 160
CPC H01R 13/62933; H01R 13/62938;
H01R 13/62955; H01R 13/629; H01R 13/6295
See application file for complete search history.

(56) **References Cited**

U.S. PATENT DOCUMENTS

| | | | | |
|-----------|------|--------|------------------------|-----------|
| 4,798,923 | A * | 1/1989 | Barwick et al. | 200/50.01 |
| D315,720 | S * | 3/1991 | Freehauf | D13/154 |
| 5,230,635 | A * | 7/1993 | Takenouchi et al. | 439/157 |
| 5,308,255 | A * | 5/1994 | Yamanashi | 439/157 |
| 5,320,544 | A * | 6/1994 | Naoto et al. | 439/157 |
| 5,551,885 | A * | 9/1996 | Yamanashi et al. | 439/157 |
| 5,957,707 | A * | 9/1999 | Kodama | 439/157 |
| 6,217,354 | B1 * | 4/2001 | Fencel et al. | 439/157 |
| 6,224,403 | B1 * | 5/2001 | Okabe | 439/157 |
| 6,264,485 | B1 * | 7/2001 | Saka et al. | 439/157 |

Primary Examiner — Mark Goodwin

(74) *Attorney, Agent, or Firm* — Roberts Mlotkowski Safran
& Cole, P.C.

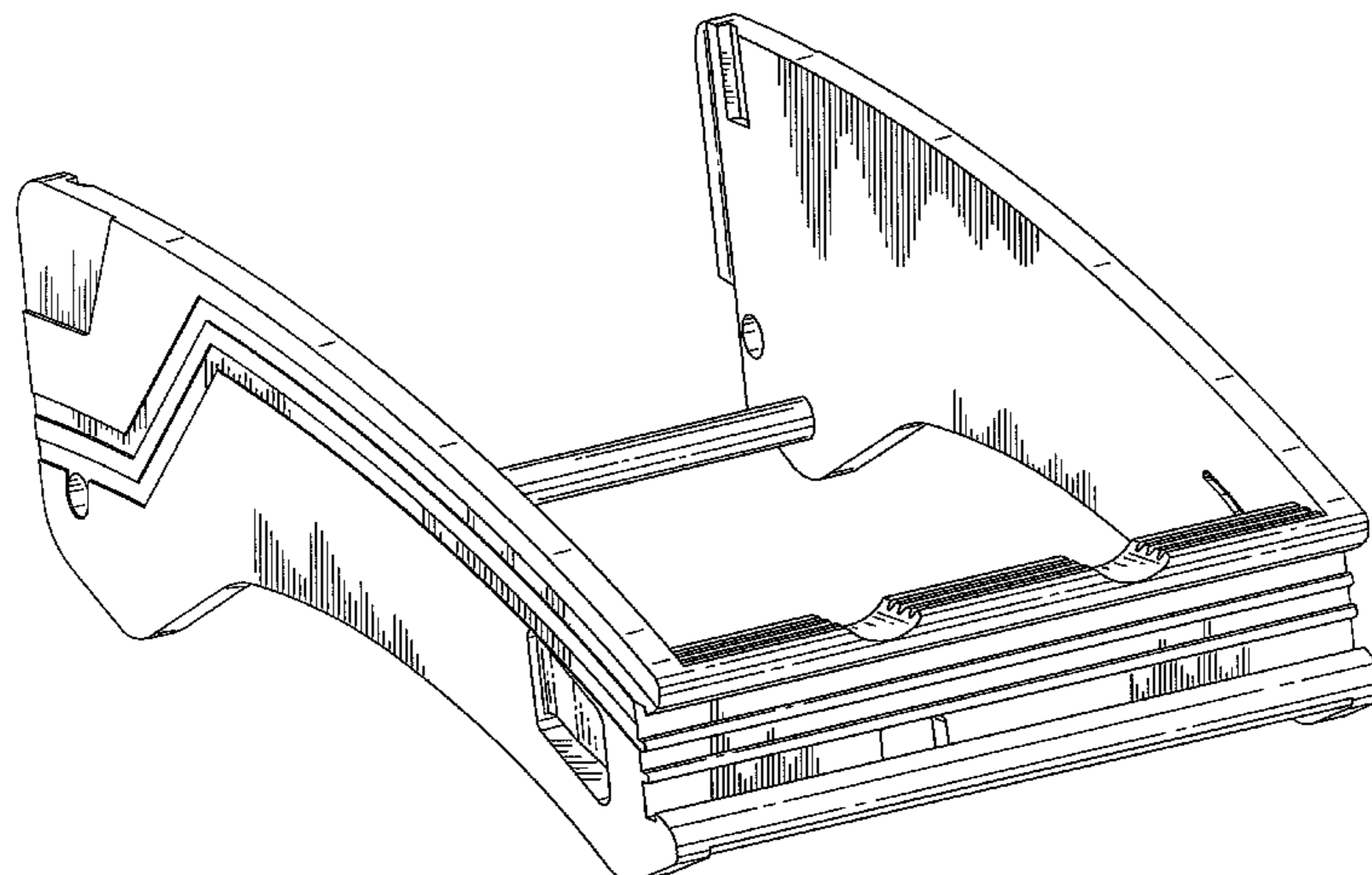
(57) **CLAIM**

The ornamental design for a relay retaining bracket, as shown
in the accompanying drawings.

DESCRIPTION

FIG. 1 is a perspective view of the design of a relay retaining
bracket in accordance with the present invention as seen
looking toward the top and right front corner.
FIG. 2 is a rear elevational view of the relay retaining bracket
in accordance with the present invention.
FIG. 3 is a right side elevational view of the relay retaining
bracket in accordance with the present invention.
FIG. 4 is a front elevational view of the relay retaining bracket
in accordance with the present invention.
FIG. 5 is a left side elevational view of the relay retaining
bracket in accordance with the present invention.
FIG. 6 is a top plan view of relay retaining bracket in accor-
dance with the present invention as seen from the rear; and,
FIG. 7 is a bottom view of the design in accordance with the
present invention.

1 Claim, 6 Drawing Sheets



(56)

References Cited

U.S. PATENT DOCUMENTS

8,197,270 B2 * 6/2012 Vasbinder et al. 439/157
8,246,365 B2 * 8/2012 Shishikura et al. 439/157
D671,897 S * 12/2012 Kettern et al. D13/149
D700,898 S * 3/2014 Min et al. D13/159
D701,176 S * 3/2014 Min et al. D13/159

D708,152 S * 7/2014 Dixon et al. D13/169
2002/0132504 A1 * 9/2002 Mori et al. 439/160
2007/0099461 A1 * 5/2007 Pittenger et al. 439/157
2009/0221167 A1 * 9/2009 Pittenger et al. 439/157
2009/0311893 A1 * 12/2009 Sugiyama et al. 439/157
2010/0323537 A1 * 12/2010 Vasbinder et al. 439/65
2011/0034049 A1 * 2/2011 Shishikura et al. 439/157

* cited by examiner

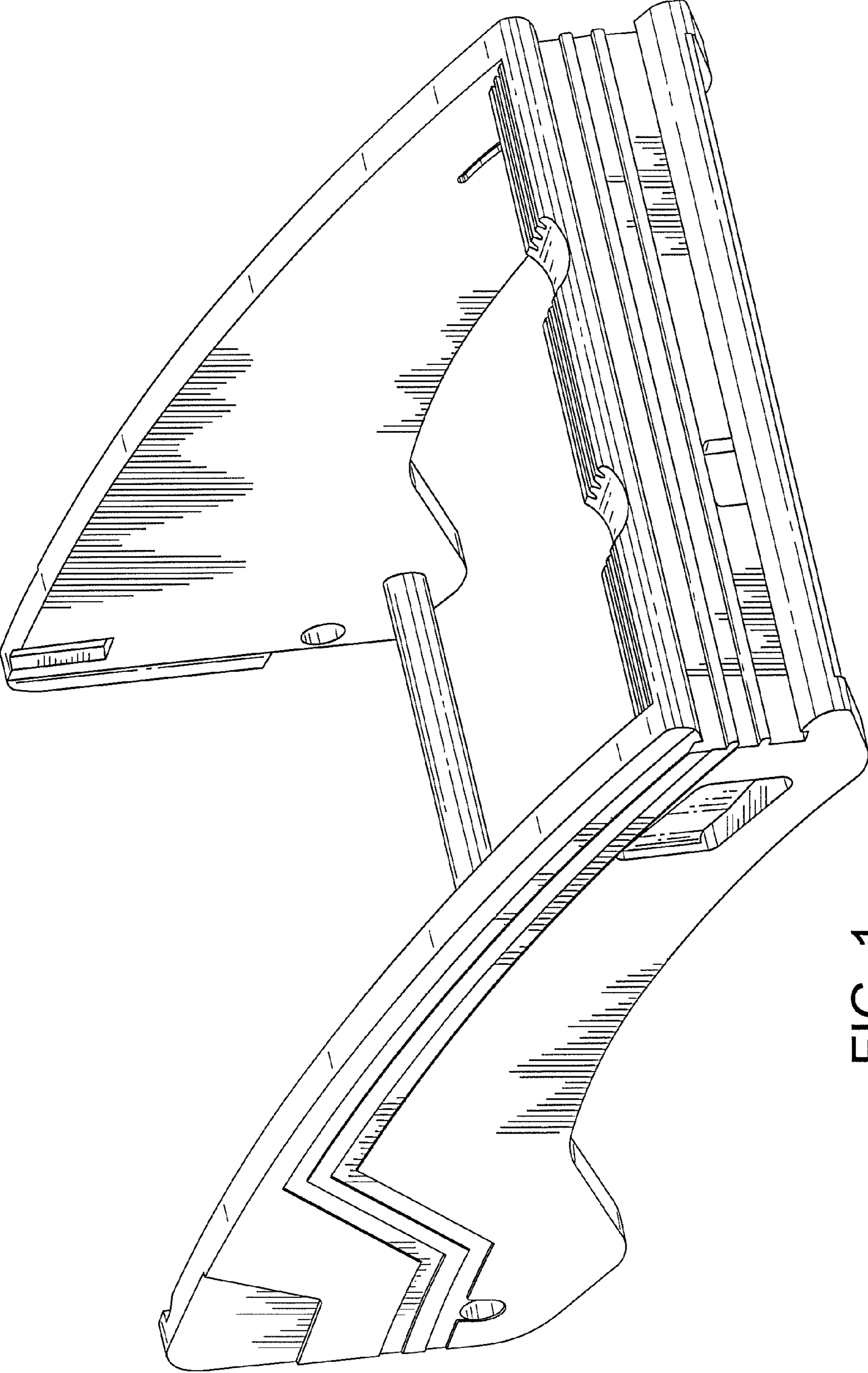


FIG. 1

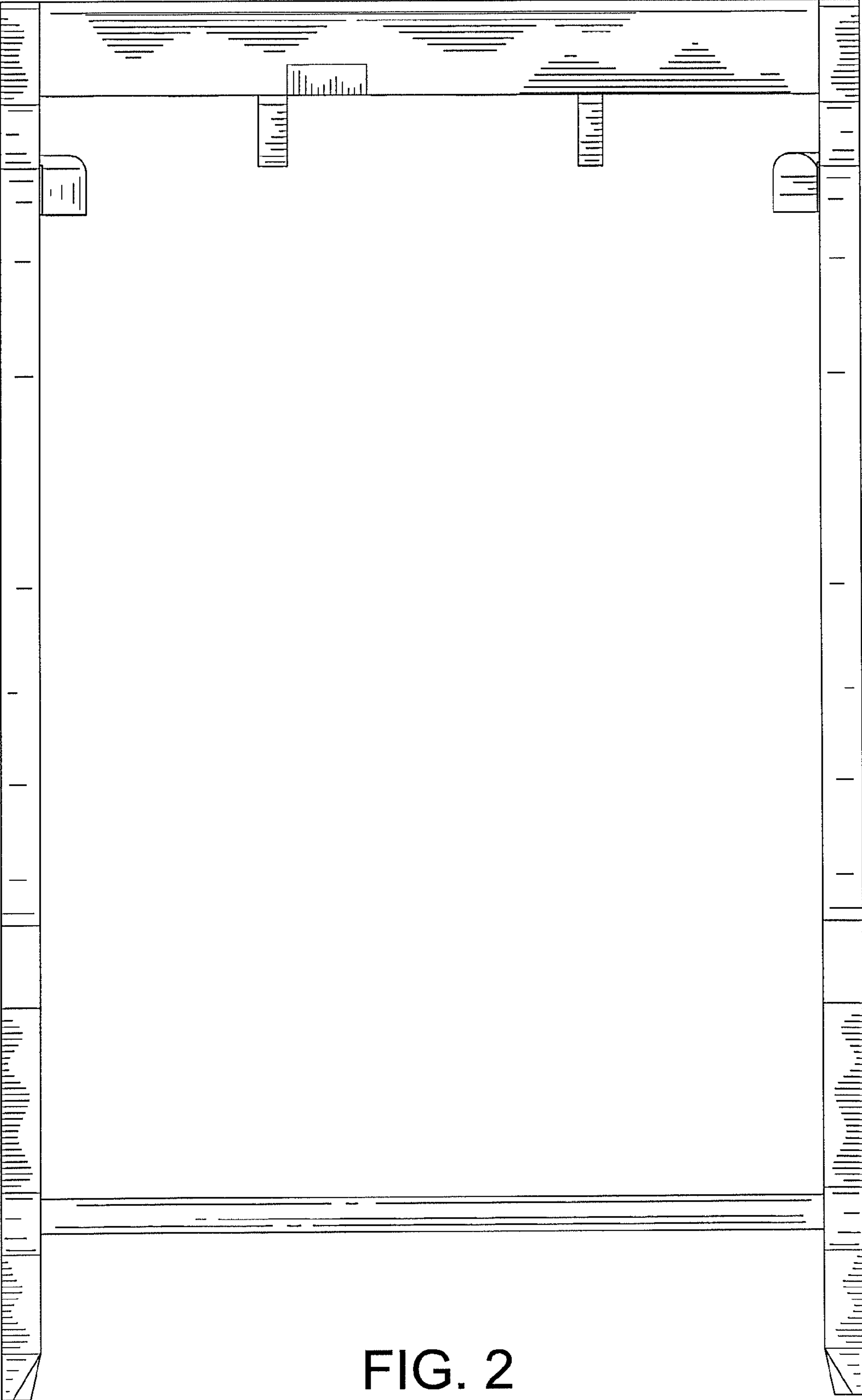


FIG. 2

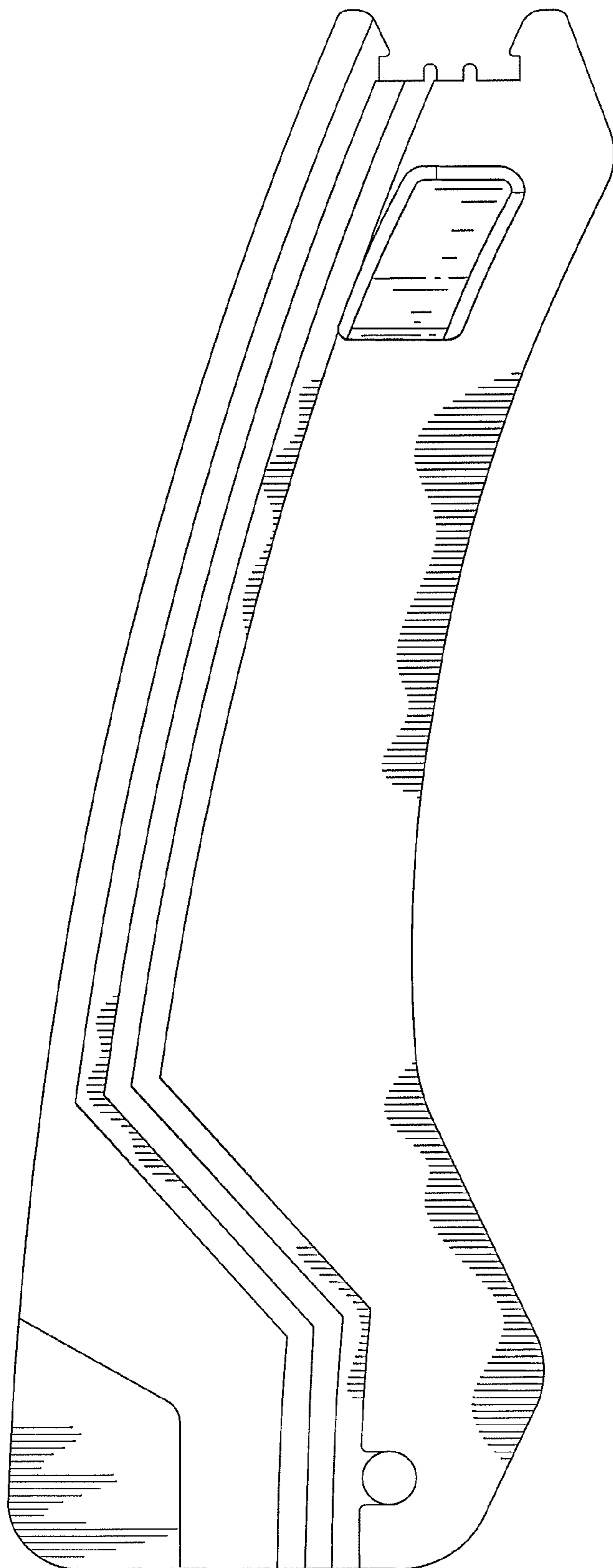


FIG. 3

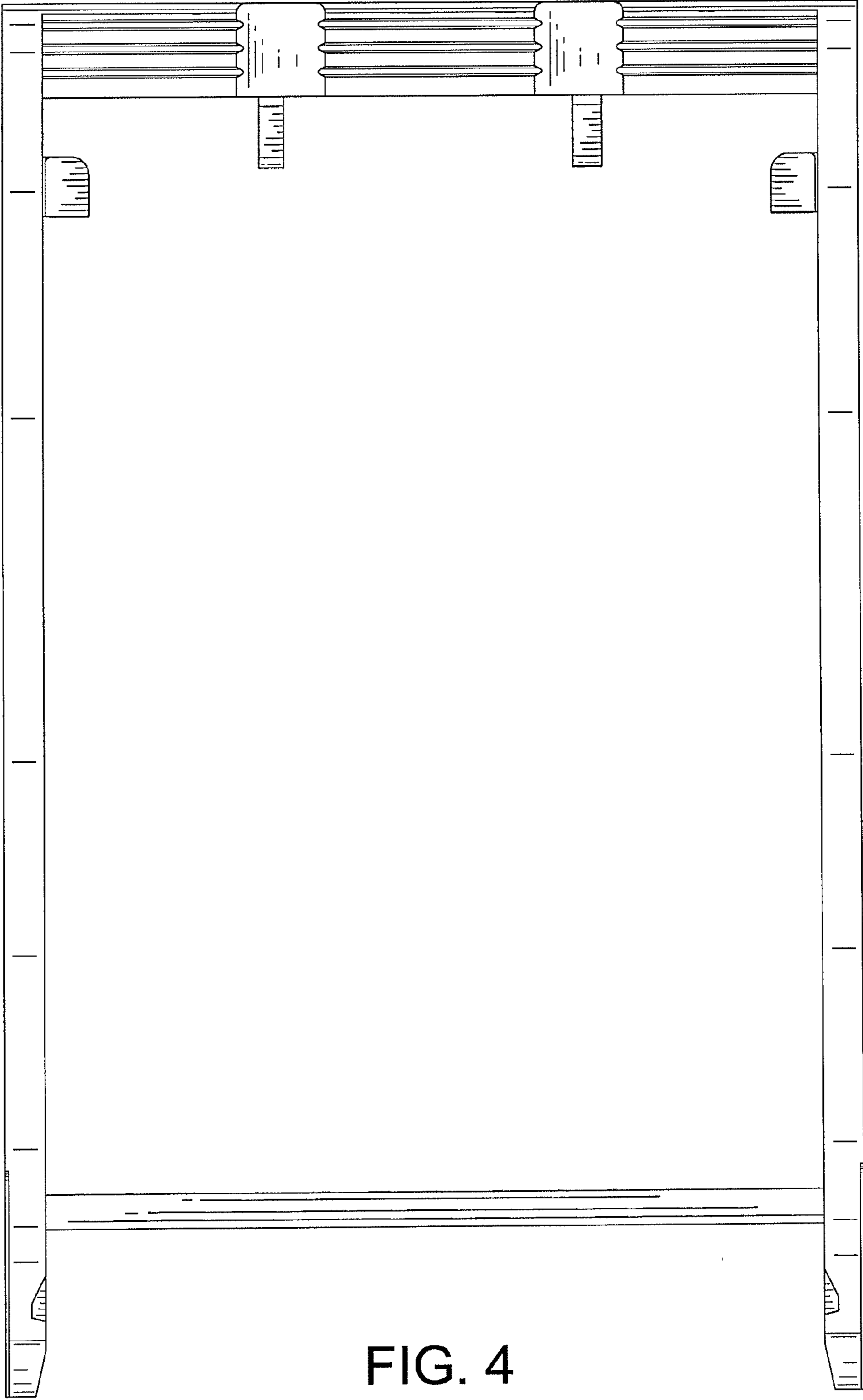


FIG. 4

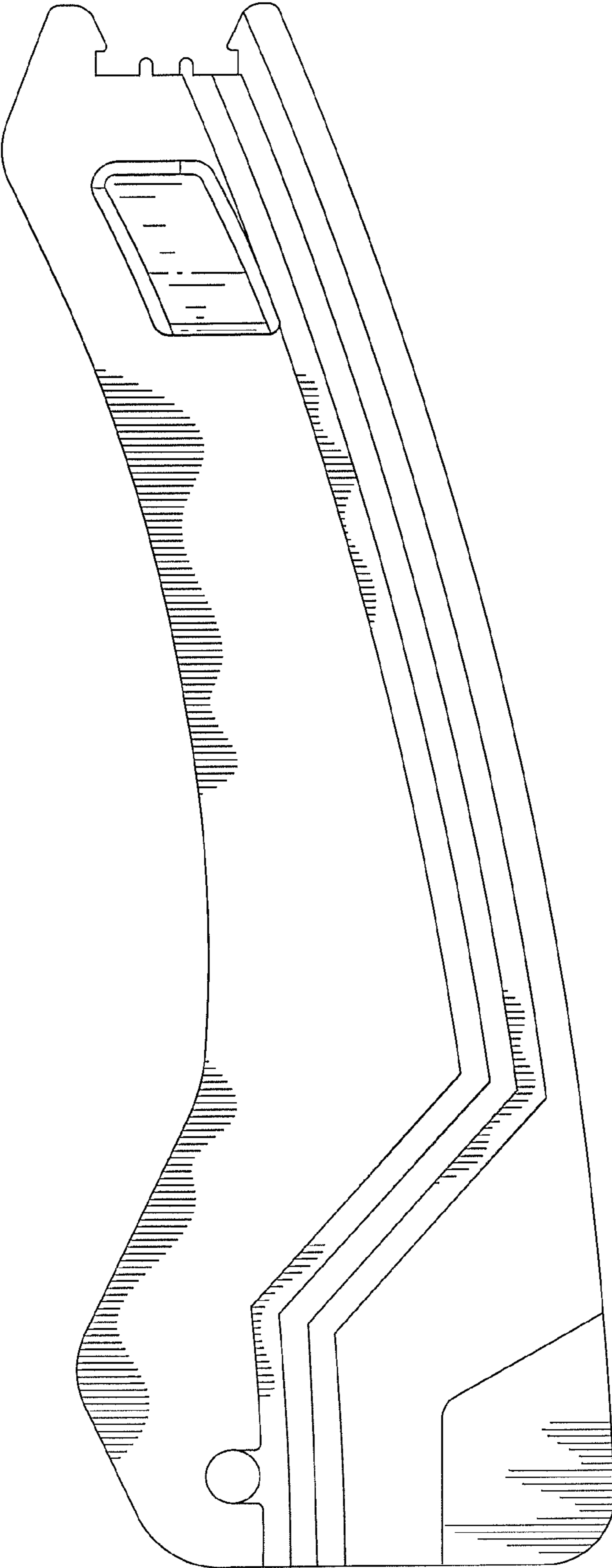


FIG. 5

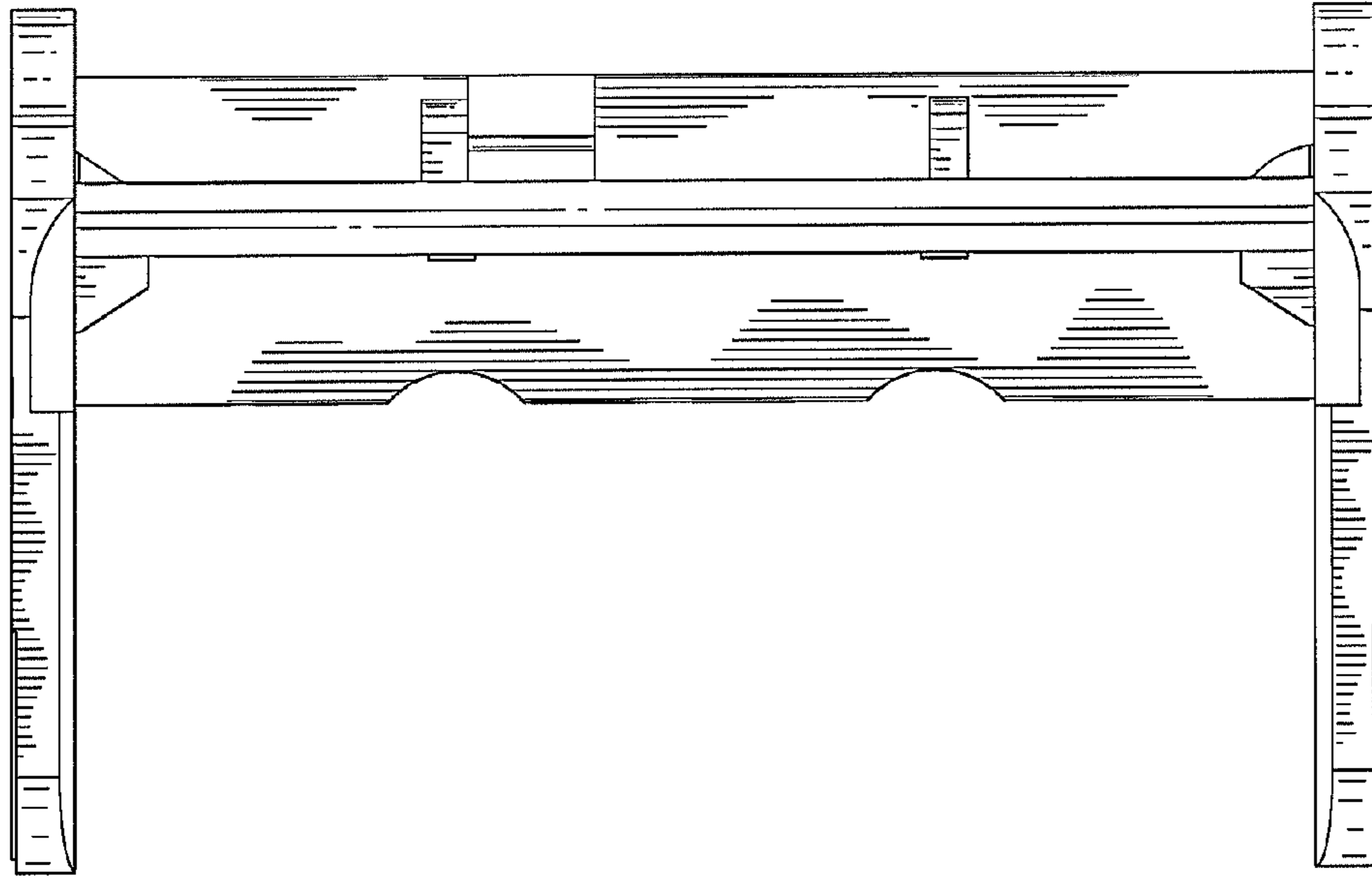


FIG. 7

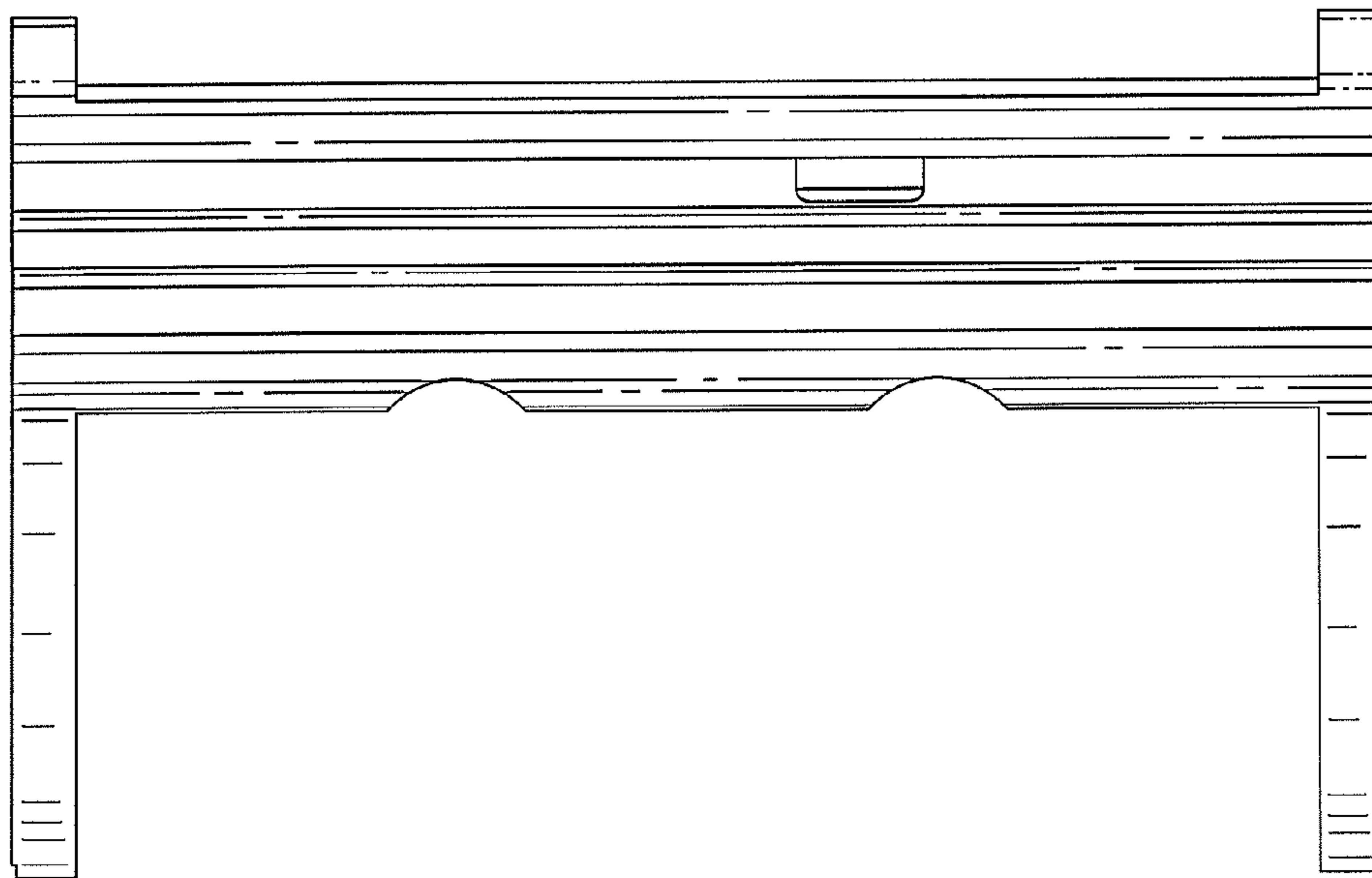


FIG. 6