



US00D740229S

(12) **United States Design Patent**
Page et al.

(10) **Patent No.:** **US D740,229 S**
(45) **Date of Patent:** **** Oct. 6, 2015**

- (54) **ELECTRICAL RECEPTACLE**
- (71) Applicant: **Group Dekko, Inc.**, Garrett, IN (US)
- (72) Inventors: **Richard J. Page**, Lake Villa, IL (US);
Sean J. Scott, Chicago, IL (US); **Jillian Pai**, Chicago, IL (US)
- (73) Assignee: **Group Dekko, Inc.**, Garrett, IN (US)
- (**) Term: **14 Years**
- (21) Appl. No.: **29/497,699**
- (22) Filed: **Jul. 28, 2014**
- (51) **LOC (10) Cl.** **13-03**
- (52) **U.S. Cl.**
USPC **D13/139.4**
- (58) **Field of Classification Search**
USPC D13/139.4, 137.2, 139.8, 108, 160,
D13/110; 439/620.22, 535, 137, 131;
385/48; 174/56; 361/753, 56
See application file for complete search history.

D449,819 S *	10/2001	Gershfeld	D13/139.4
D475,683 S *	6/2003	Gershfeld	D13/139.4
D477,282 S *	7/2003	Gershfeld	D13/139.4
D484,099 S *	12/2003	Bettencourt	D13/139.8
D486,793 S *	2/2004	Gershfeld	D13/139.4
D514,067 S *	1/2006	Lee	D13/137.2
D526,961 S *	8/2006	Kissinger et al.	D13/139.4
D535,257 S *	1/2007	Byrne	D13/139.4
D537,039 S *	2/2007	Pincek	D13/139.4
D556,139 S *	11/2007	Gershfeld et al.	D13/139.4
D715,225 S *	10/2014	Mininger et al.	D13/139.4
D719,091 S *	12/2014	Leddusire	D13/110

* cited by examiner

Primary Examiner — Holly Baynham
Assistant Examiner — Rhea Shields
(74) *Attorney, Agent, or Firm* — Taylor IP, P.C.

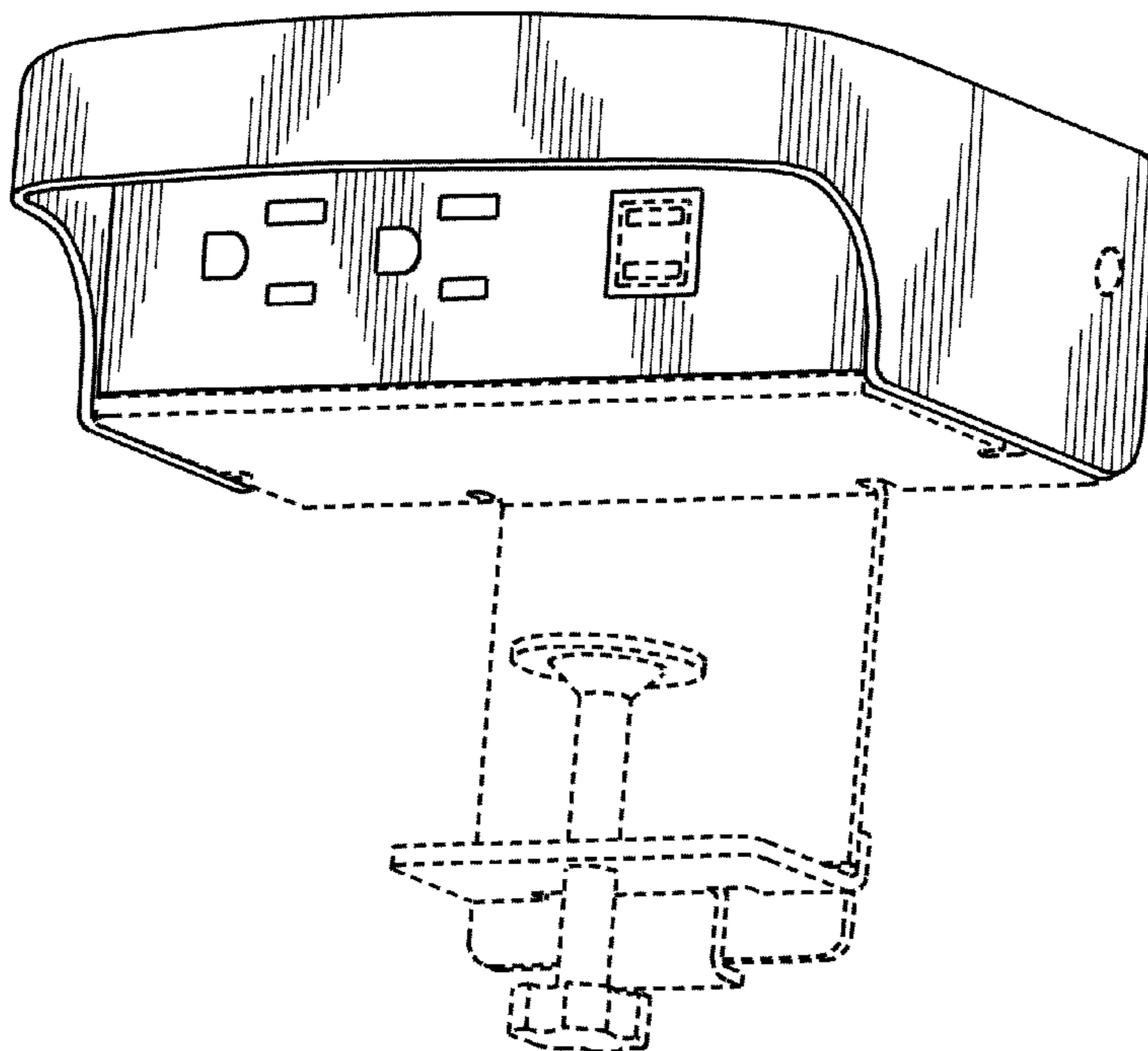
(57) **CLAIM**
The ornamental design for a electrical receptacle, as shown and described.

DESCRIPTION

FIG. 1 is a front perspective view of an electrical receptacle showing our new design;
FIG. 2 is a top view thereof;
FIG. 3 is a rear perspective view thereof;
FIG. 4 is a front view thereof;
FIG. 5 is a rear view thereof;
FIG. 6 is a bottom view thereof; and,
FIG. 7 is a side view thereof, the opposite side view being omitted because this view is a mirror image of FIG. 7.
In the drawings, the broken lines depict unclaimed subject matter only and form no part of the claimed design.

1 Claim, 4 Drawing Sheets

- (56) **References Cited**
U.S. PATENT DOCUMENTS
- | | | | | |
|---------------|---------|-----------------|-------|-----------|
| 5,122,069 A * | 6/1992 | Brownlie et al. | | 439/131 |
| D350,938 S * | 9/1994 | Rossman et al. | | D13/137.2 |
| D353,363 S * | 12/1994 | Toby | | D13/139.4 |
| D361,315 S * | 8/1995 | Wedell et al. | | D13/160 |
| D412,697 S * | 8/1999 | Byrne | | D13/139.4 |
| D413,571 S * | 9/1999 | Glass | | D13/139.4 |
| D420,327 S * | 2/2000 | Byrne | | D13/139.4 |
| D442,550 S * | 5/2001 | Tong et al. | | D13/137.2 |



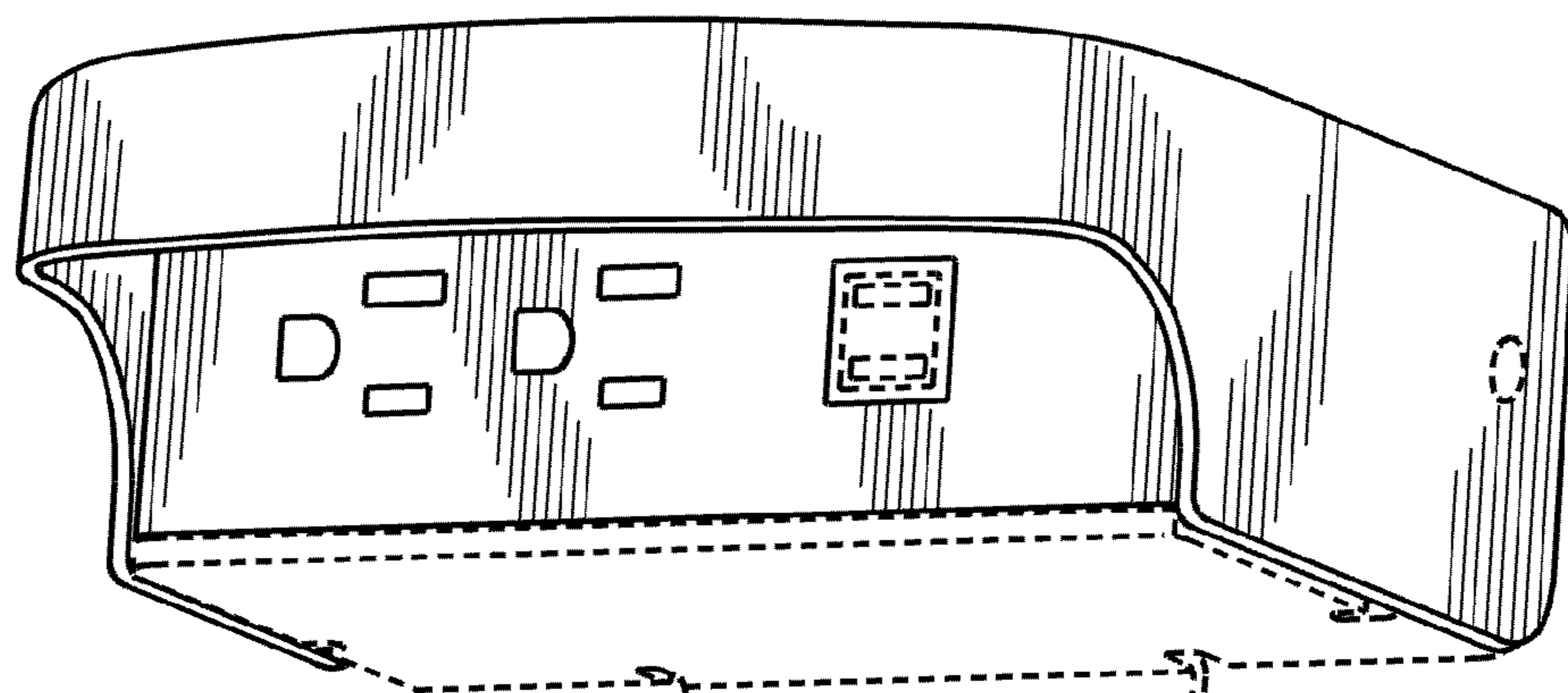


Fig. 1

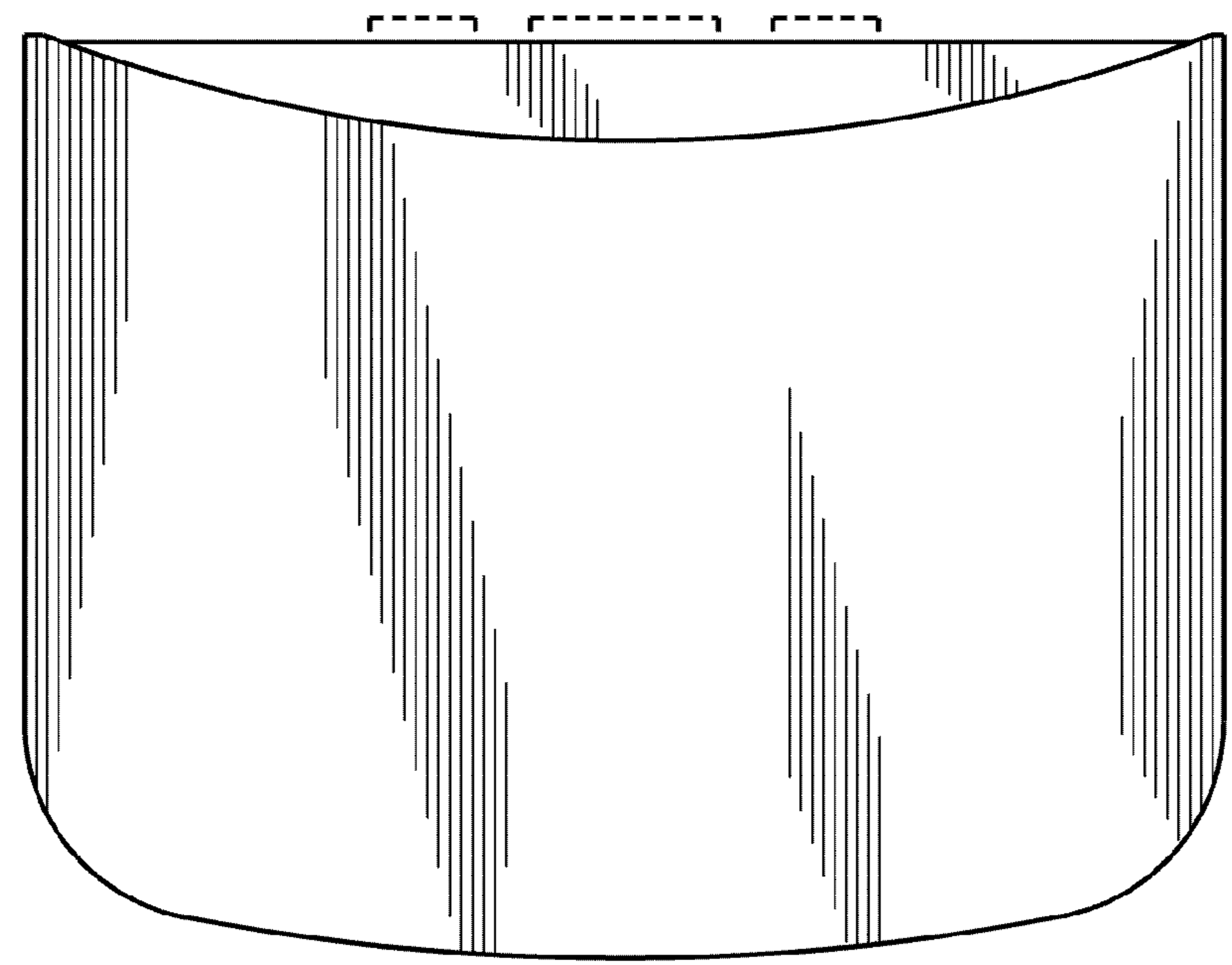
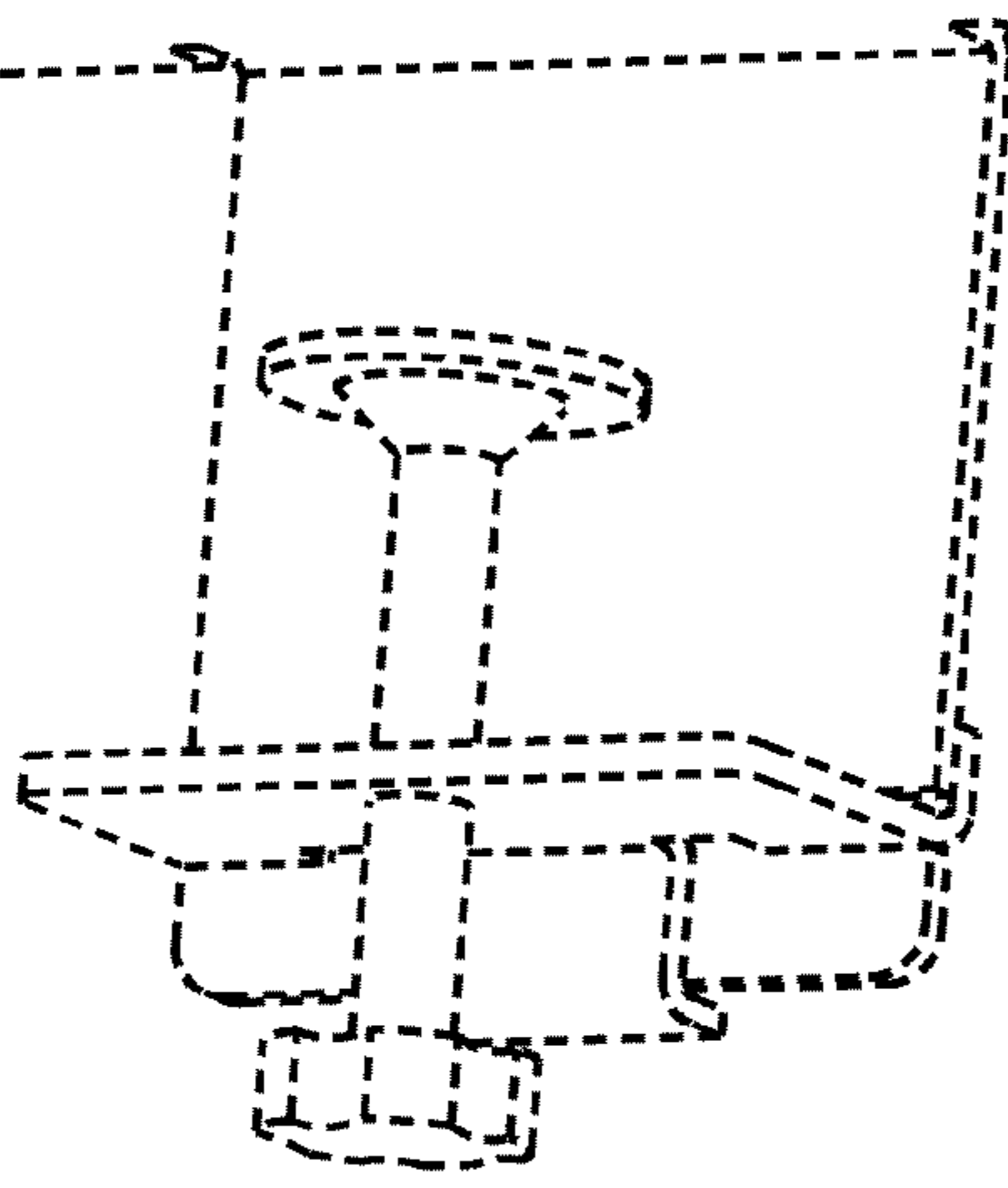


Fig. 2

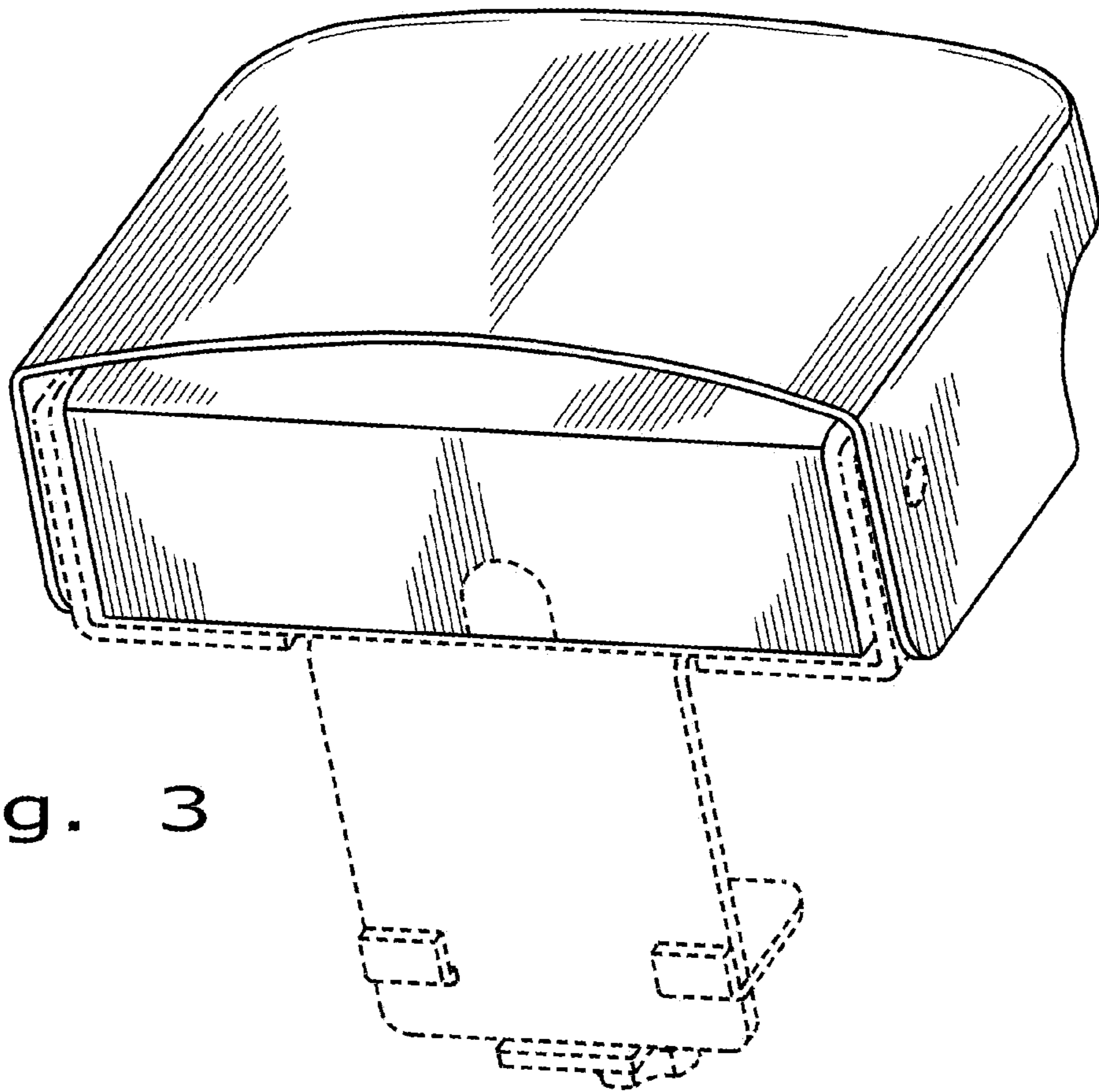


Fig. 3

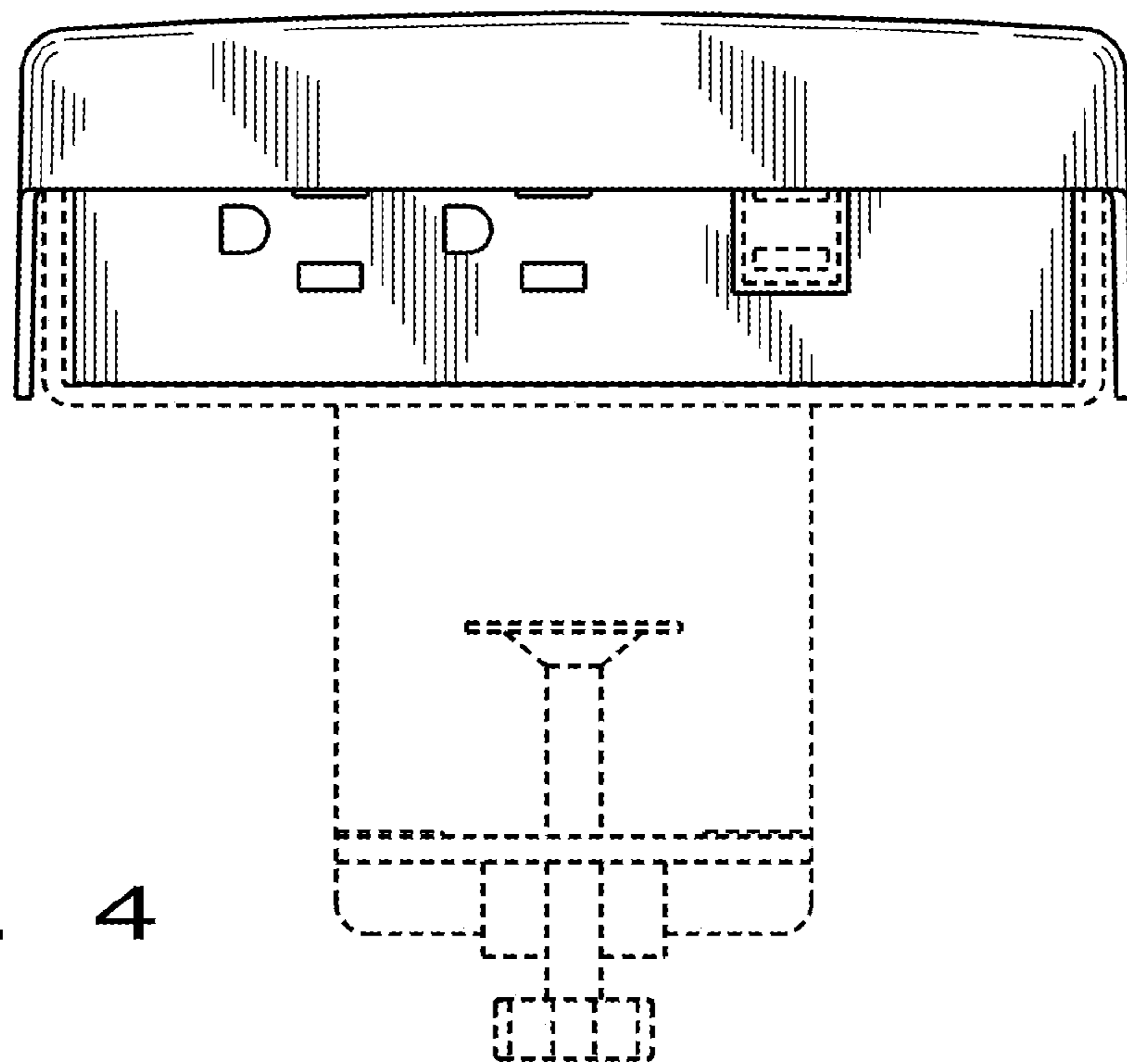
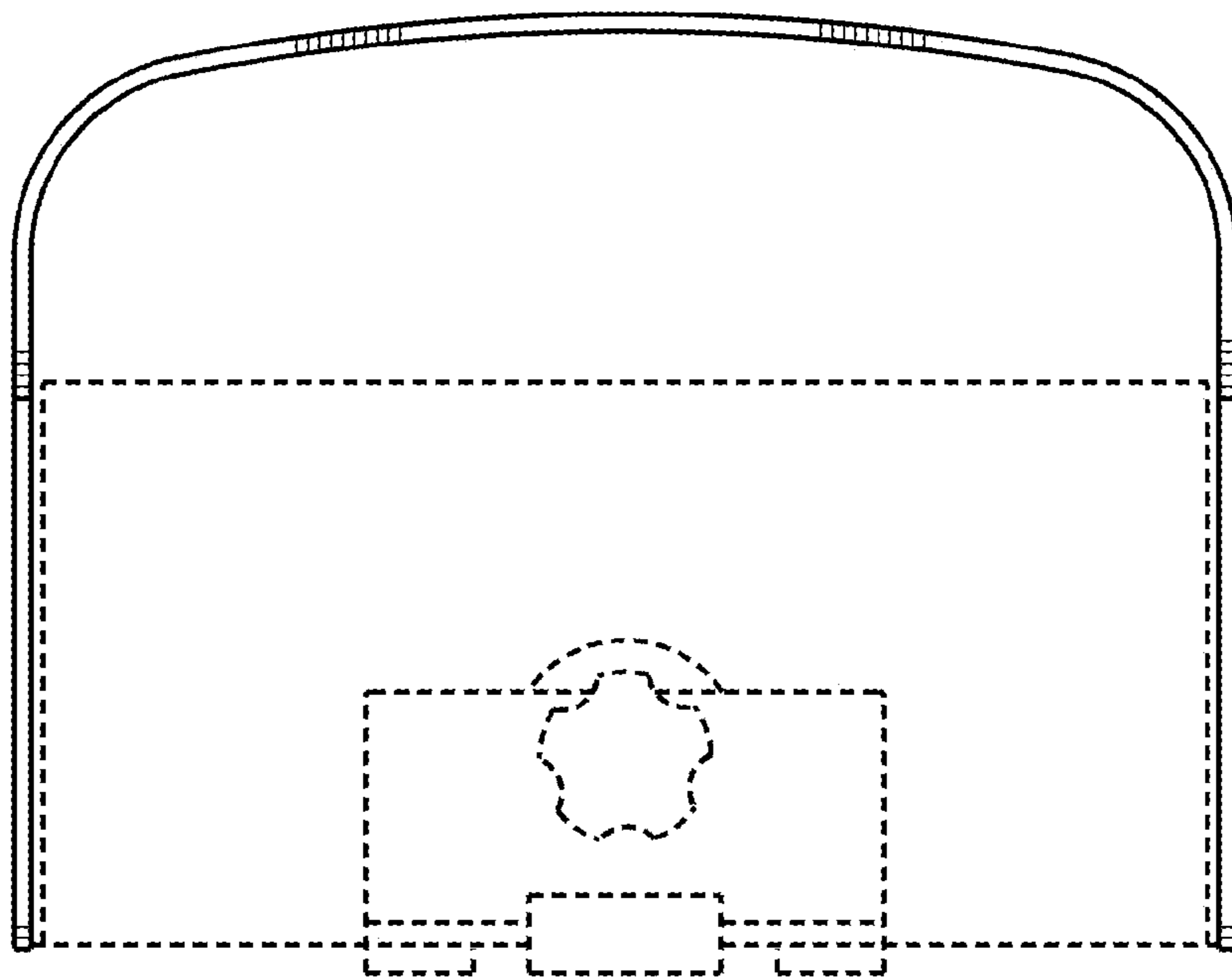
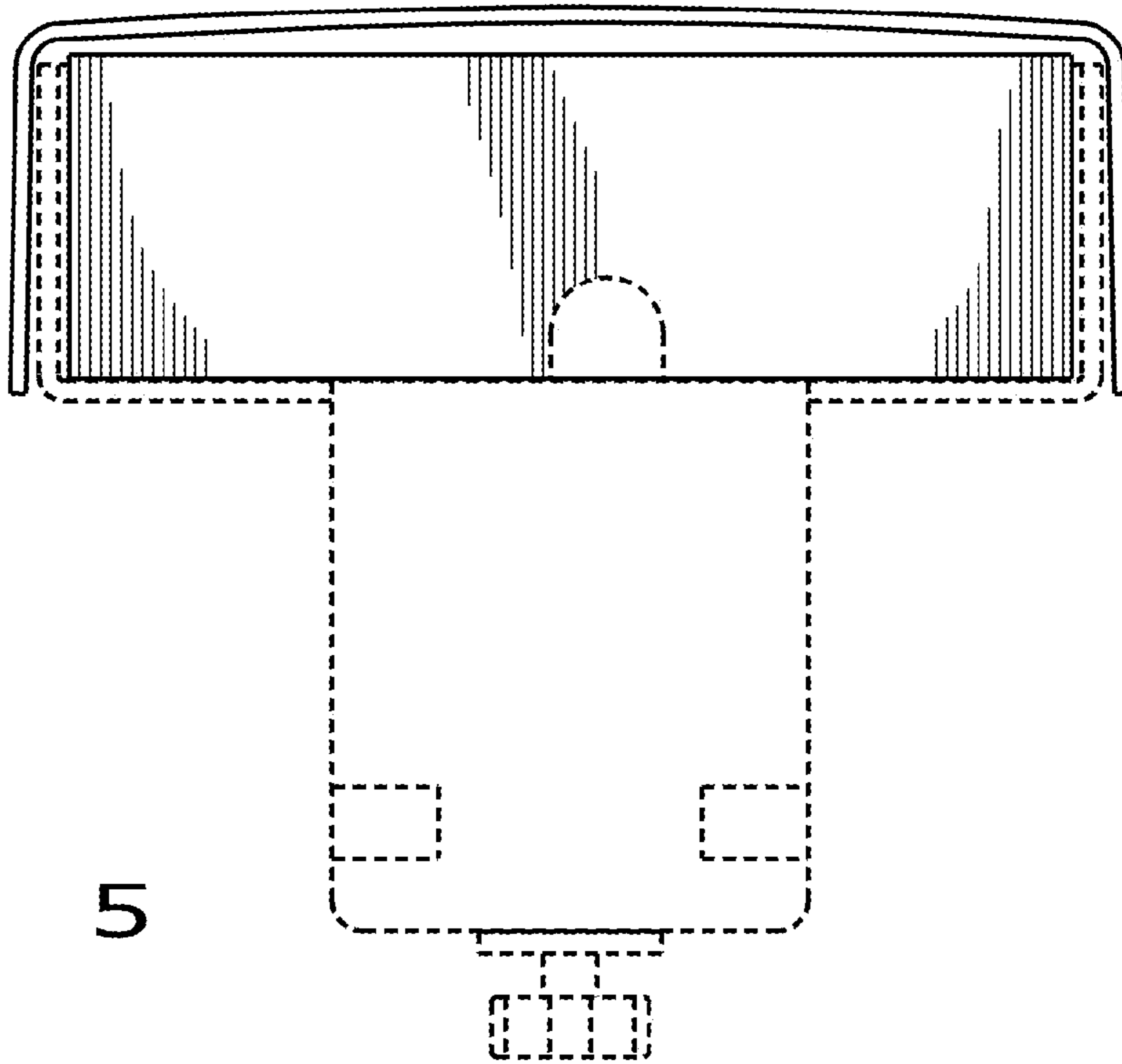


Fig. 4



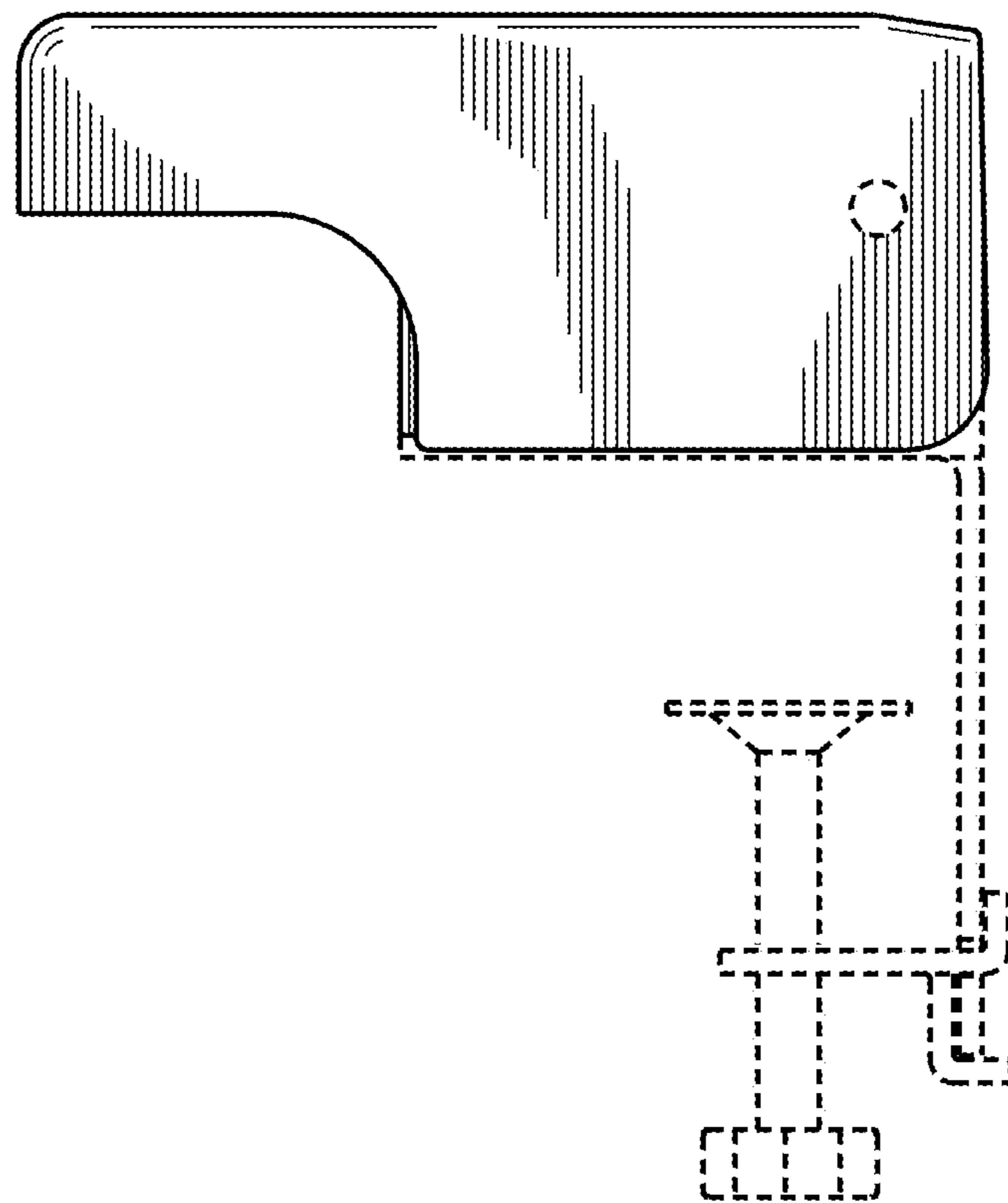


Fig. 7