



US00D740227S

(12) **United States Design Patent**
Symons

(10) **Patent No.:** **US D740,227 S**

(45) **Date of Patent:** **** Oct. 6, 2015**

(54) **EXTENSION CORD**

- (71) Applicant: **BLUELOUNGE PTE. LTD.**, Wilkie Edge (SG)
- (72) Inventor: **Dominic Symons**, Wilkie Edge (SG)
- (73) Assignee: **Bluelounge Pte. Ltd.**, Wilkie Edge (SG)
- (**) Term: **14 Years**
- (21) Appl. No.: **29/508,817**

(22) Filed: **Nov. 11, 2014**

(51) **LOC (10) Cl.** **13-03**

(52) **U.S. Cl.**
USPC **D13/137.4**

(58) **Field of Classification Search**
 USPC D13/137.4, 139.8, 139.6, 154, 153,
 D13/137.1, 110, 137.2, 137.3, 139.7, 144;
 307/39, 12, 31, 126; 439/505, 501;
 361/78
 CPC H02J 3/14; H01R 25/006; H01R 25/003;
 H01R 13/72; H01H 9/061; H02H 3/40
 See application file for complete search history.

(56) **References Cited**

U.S. PATENT DOCUMENTS

1,937,981	A	11/1931	Rosenthal	
2,856,470	A	7/1956	Hyde	
D199,528	S	11/1964	Danner	
D319,609	S	9/1991	Brown	
D390,190	S	2/1998	Stekelenburg	
D391,550	S	3/1998	Stekelenburg	
D528,509	S	* 9/2006	Chesebro et al. D13/139.8

(Continued)

FOREIGN PATENT DOCUMENTS

EP 0583173 8/1993

OTHER PUBLICATIONS

quirky.com, Nov. 10, 2014, Internet printout: <https://www.quirky.com/products/71-Ember-Lamp-Power-Strip/timeline>.

(Continued)

Primary Examiner — Holly Baynham

Assistant Examiner — Rhea Shields

(74) *Attorney, Agent, or Firm* — Todd R. Miller

(57) **CLAIM**

The ornamental design for an extension cord, as shown and described.

DESCRIPTION

FIG. 1 is a perspective view of the head portion of the extension cord;

FIG. 2 is a perspective view of the end portion of the extension cord;

FIG. 3 is a top plan view of FIG. 1;

FIG. 4 is a left side view of FIG. 1;

FIG. 5 is a right side view of FIG. 1;

FIG. 6 is a front view of FIG. 1;

FIG. 7 is a rear view of FIG. 1;

FIG. 8 is a bottom view of FIG. 1;

FIG. 9 is another perspective view of FIG. 1;

FIG. 10 is another perspective view of FIG. 1;

FIG. 11 is a bottom view of FIG. 2;

FIG. 12 is a right side view of FIG. 2;

FIG. 13 is a left side view of FIG. 2;

FIG. 14 is a front view of FIG. 2;

FIG. 15 is a rear view of FIG. 2;

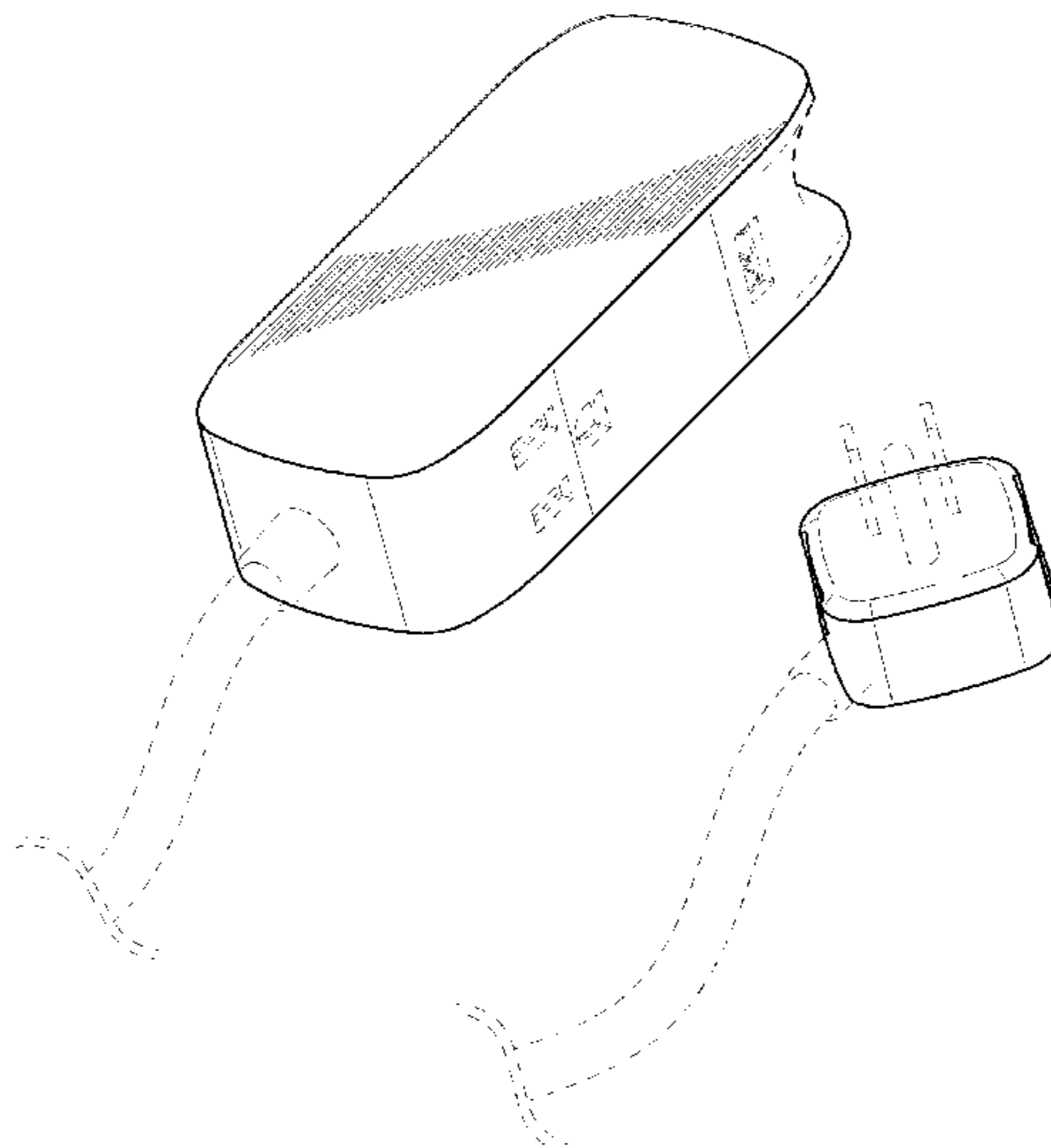
FIG. 16 is a top plan view of FIG. 2;

FIG. 17 is another perspective view of FIG. 2; and,

FIG. 18 is a top plan view of the tail of FIG. 2.

The cord is shown with a symbolic break in its length. The appearance of any portion of the article between the break lines forms no part of the claimed design. In the drawings, the broken lines are for the purpose of illustrating environment only and form no part of the claimed design.

1 Claim, 15 Drawing Sheets



(56)

References Cited

U.S. PATENT DOCUMENTS

7,193,335 B2 * 3/2007 Palmer et al. 307/39
 7,210,960 B2 * 5/2007 Mak 439/505
 D549,656 S * 8/2007 Hsiao D13/139.8
 D568,243 S * 5/2008 Jidaisho D13/110
 7,426,126 B1 9/2008 Lai
 D581,872 S * 12/2008 Zhou D13/139.6
 D591,680 S 5/2009 Ho'o
 7,852,609 B2 * 12/2010 Yang 361/78
 D633,045 S * 2/2011 Cullen et al. D13/139.8
 D636,345 S * 4/2011 Cullen et al. D13/154
 7,973,425 B2 * 7/2011 Chen 307/12
 D651,974 S * 1/2012 Benedetti D13/137.2
 D663,691 S * 7/2012 Magee, Jr. D13/139.8
 D673,912 S * 1/2013 Benedetti D13/137.2
 D674,349 S * 1/2013 Lee et al. D13/139.8
 D682,789 S * 5/2013 Au D13/137.3
 8,435,069 B2 5/2013 Burke
 8,469,746 B2 6/2013 Kemp
 D685,741 S * 7/2013 Byrne et al. D13/139.7
 8,633,612 B2 * 1/2014 Bodnar 307/31
 8,674,556 B2 * 3/2014 Tinaphong et al. 307/126
 D701,834 S * 4/2014 Lee et al. D13/137.2
 D701,838 S * 4/2014 Esses D13/144
 D705,732 S * 5/2014 Lee et al. D13/137.2
 D716,232 S * 10/2014 Byrne et al. D13/139.4
 D719,091 S * 12/2014 Leddusire D13/110

8,905,780 B2 * 12/2014 Vallon et al. 439/501
 2009/0127366 A1 5/2009 Costantino
 2010/0090851 A1 4/2010 Hauser
 2010/0176658 A1 * 7/2010 Lai 307/39
 2010/0264734 A1 * 10/2010 Zhou 307/39
 2011/0095608 A1 * 4/2011 Jonsson et al. 307/39
 2013/0140895 A1 * 6/2013 Lee 307/39
 2013/0181524 A1 * 7/2013 Lin 307/39
 2013/0295782 A1 11/2013 Goel
 2014/0024247 A1 1/2014 Riesgaard
 2014/0103721 A1 4/2014 Lai
 2014/0285019 A1 * 9/2014 Gelonese 307/39

OTHER PUBLICATIONS

evolveo.ue, Nov. 10, 2014, Internet printout: <http://www.evolveo.eu/en/extension-2u>.
 itgallery.lk, Nov. 10, 2014, Internet printout: http://itgallery.lk/product.php?id_product=76.
 amazon.co.uk, Nov. 10, 2014, Internet printout: <http://www.amazon.co.uk/Masterplug-SRGDU62PB-Charging-Protected-Extension/dp/B006HFME4M>.
 sosoan.com, Nov. 10, 2014, Internet printout: <http://www.sosoan.com.sg/item/201310BM290000022>.
 lelong.com, Nov. 10, 2014, Internet printout: <http://www.lelong.com.my/1588-2-usb-4-ac-socket-gang-extension-...wire-13amp-220-250v-sirim-mashitla-140129182-2015-11-Sale-P.htm>.

* cited by examiner

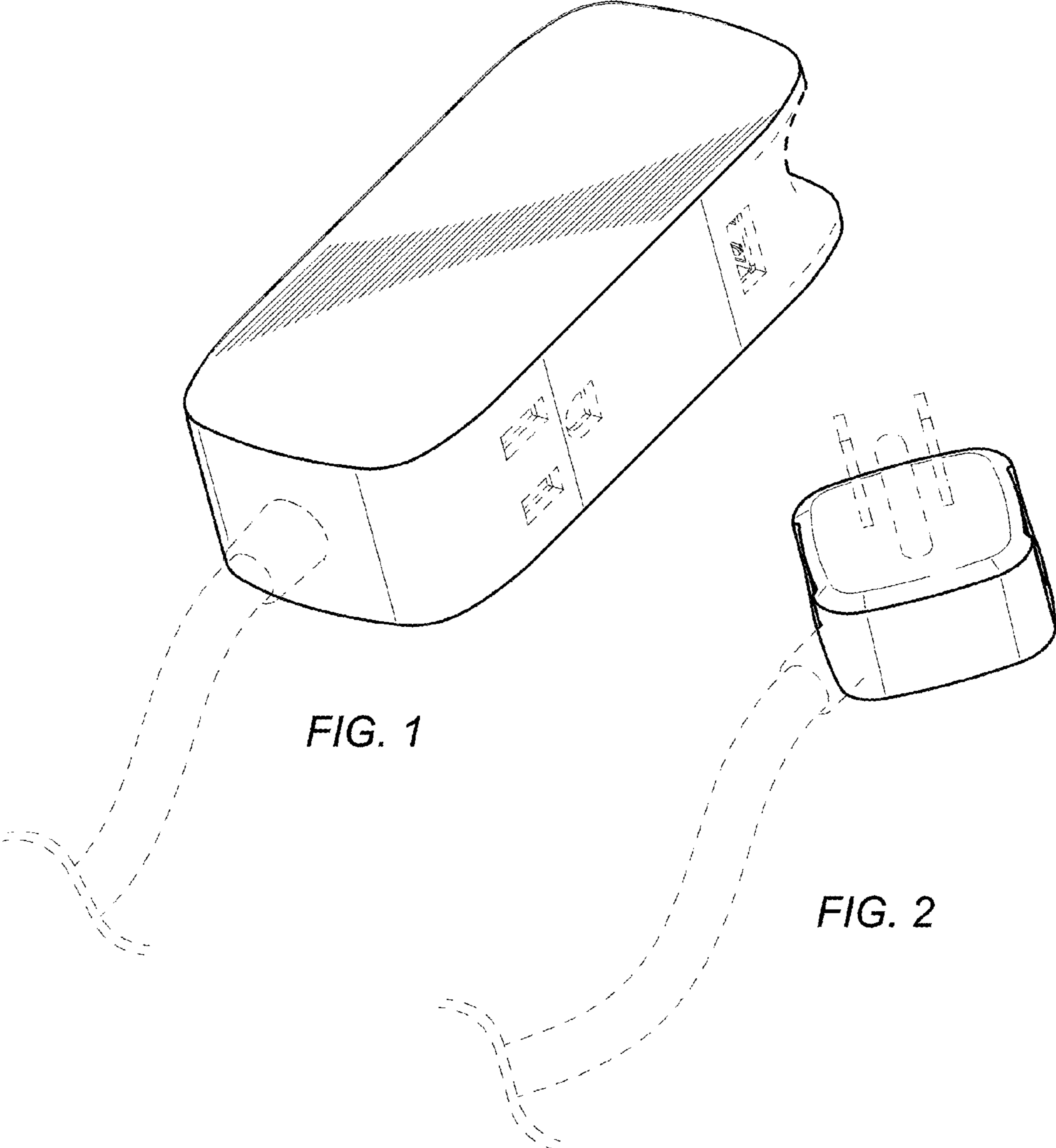


FIG. 1

FIG. 2

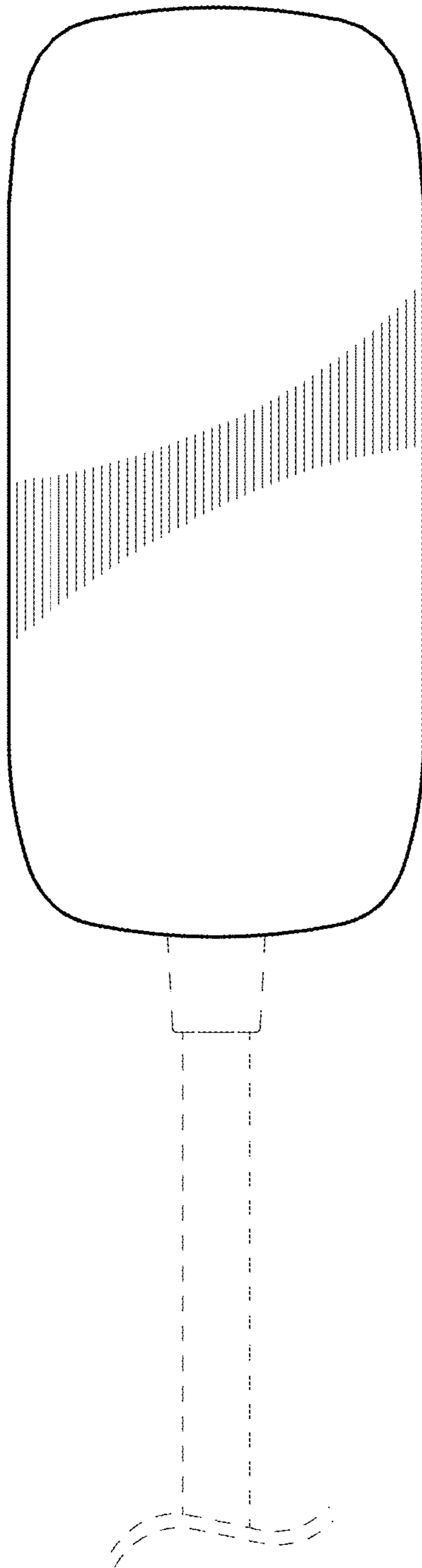


FIG. 3

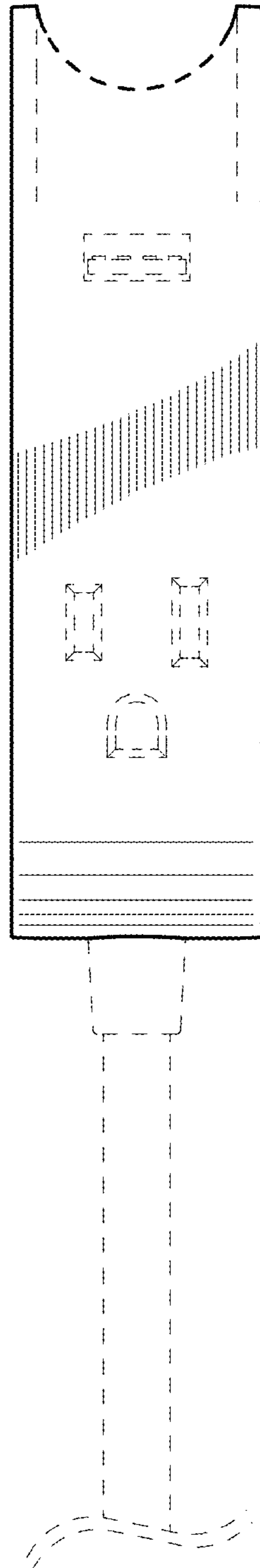


FIG. 4

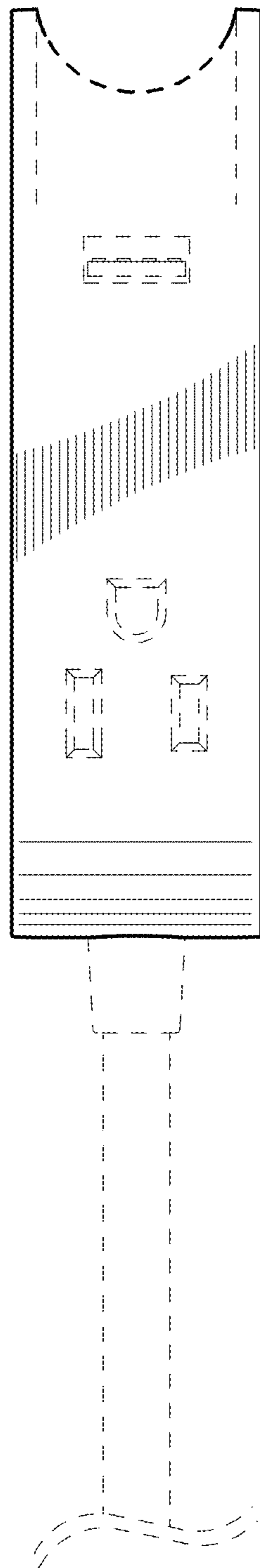


FIG. 5

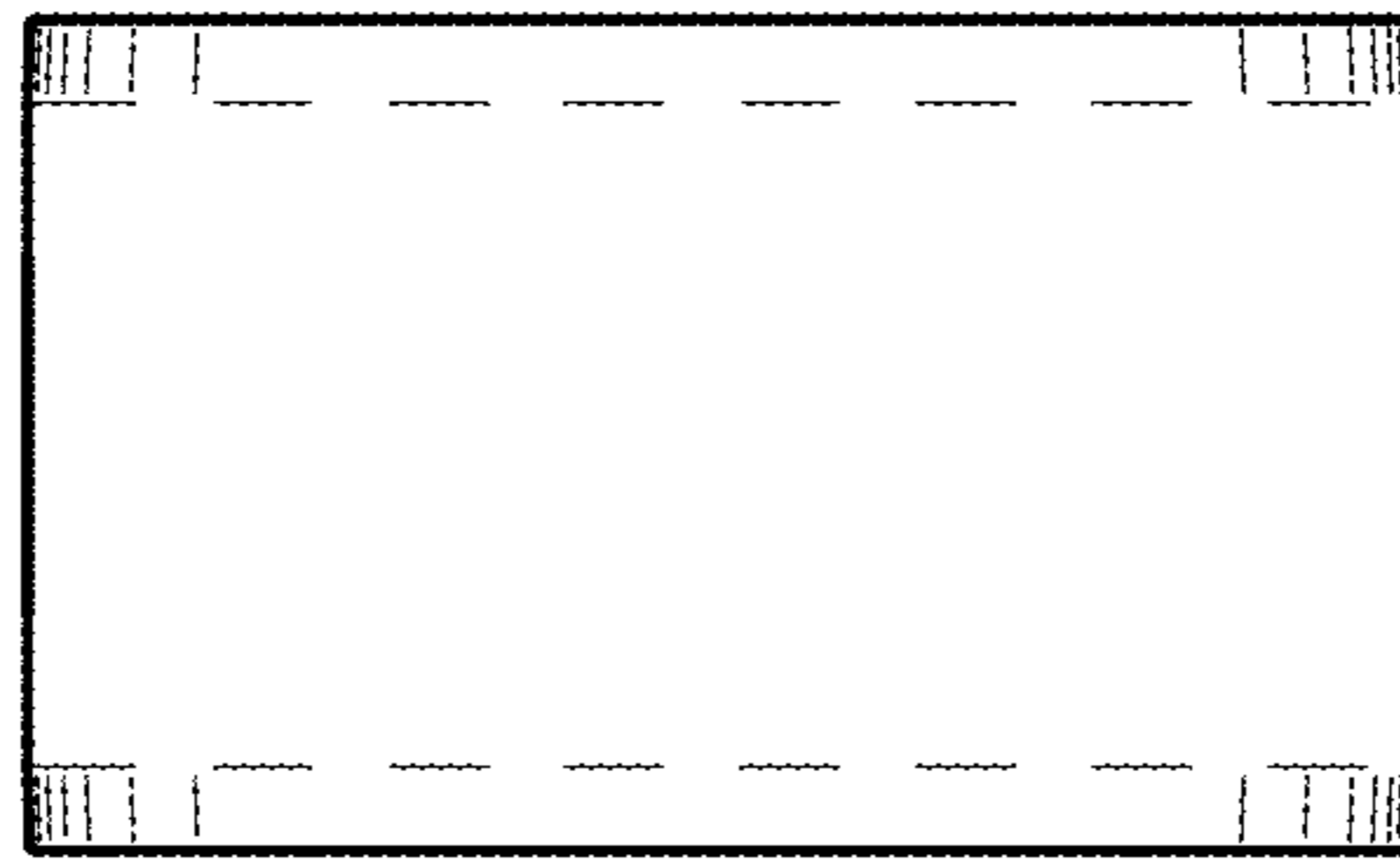


FIG. 6

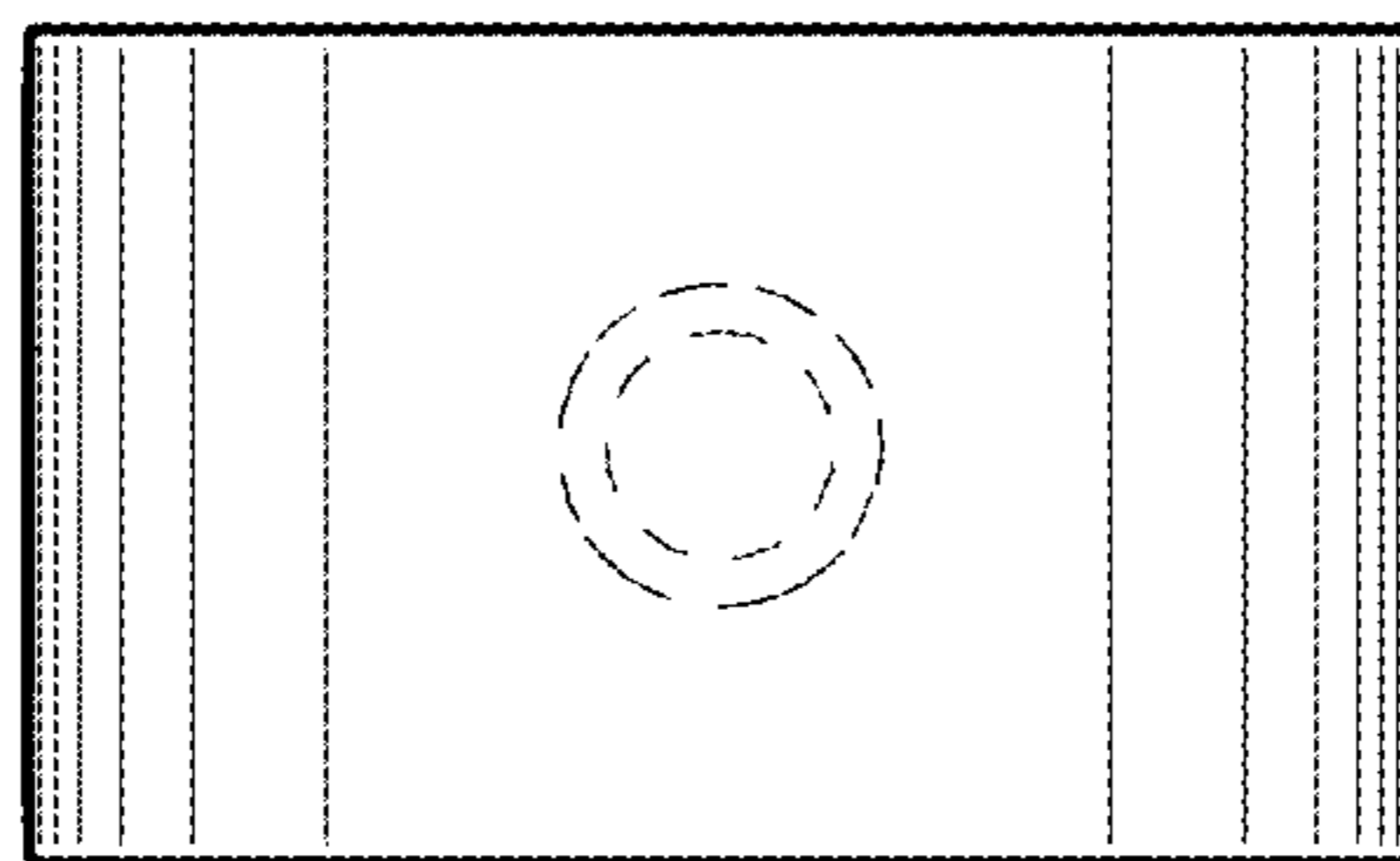


FIG. 7

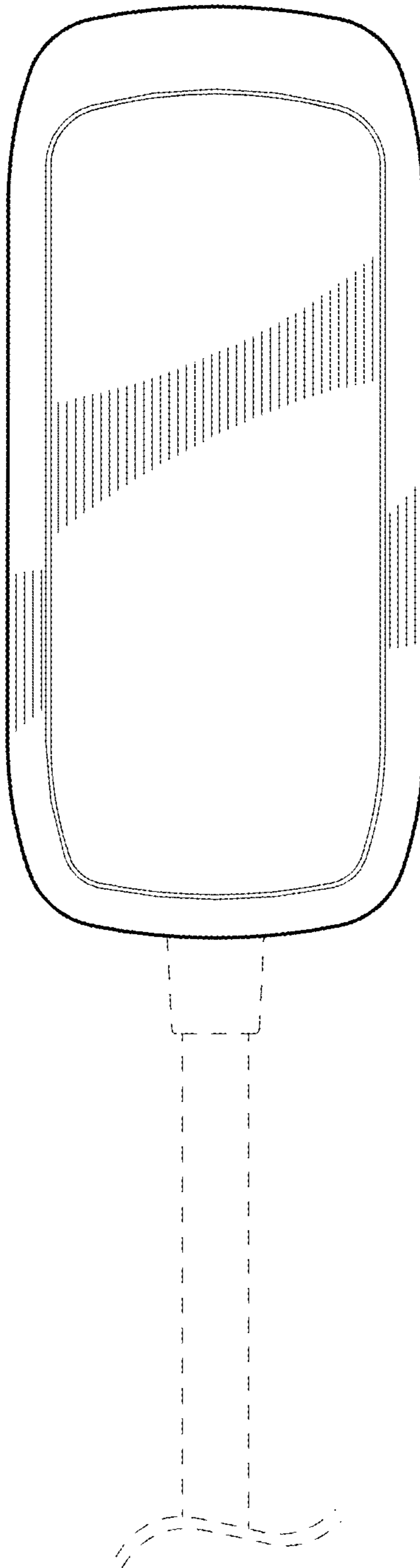


FIG. 8

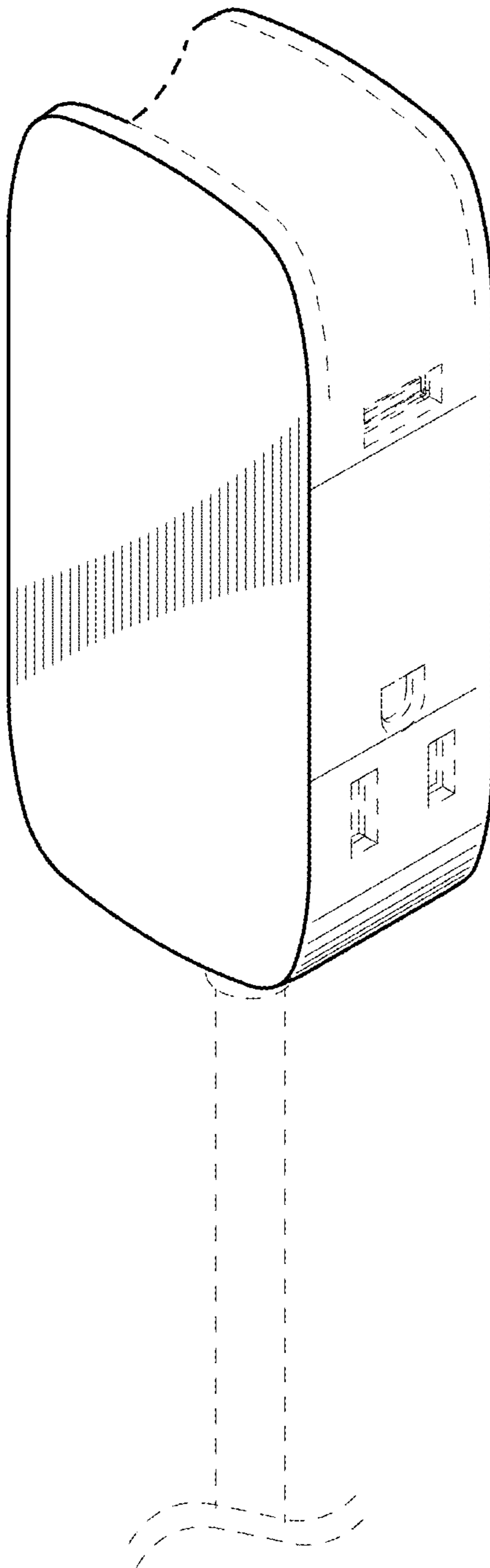


FIG. 9

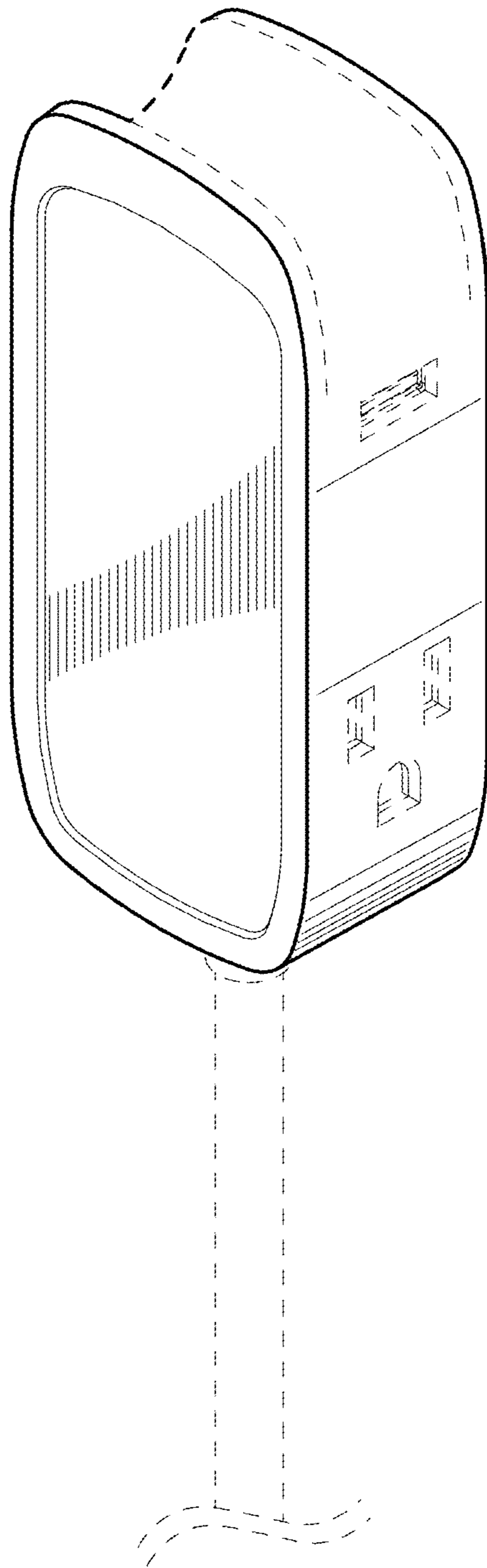


FIG. 10

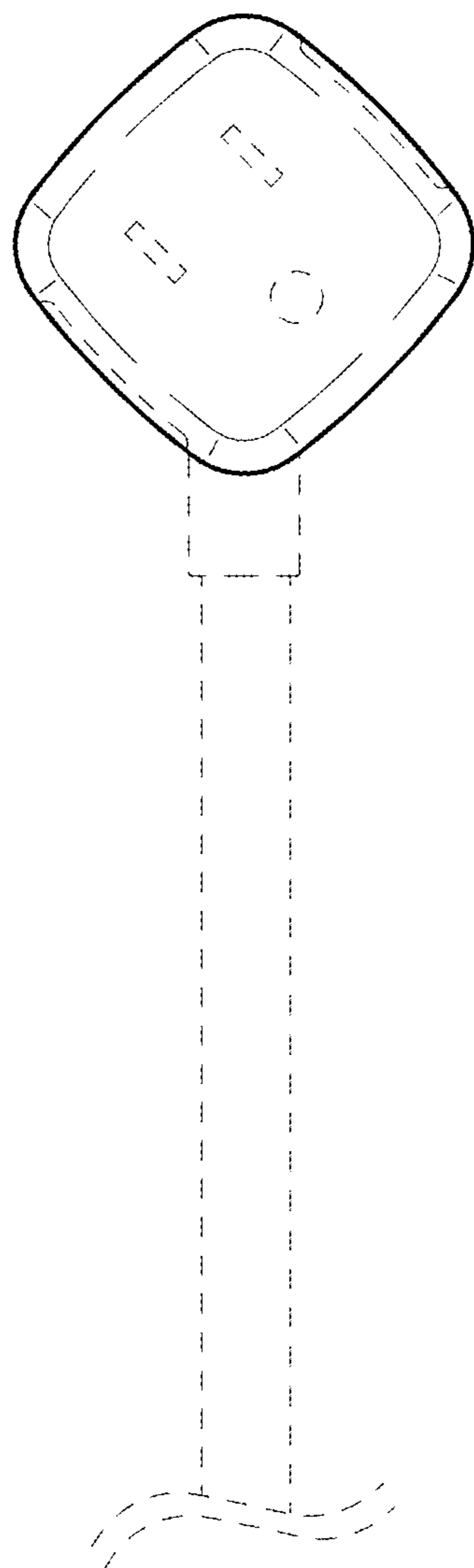


FIG. 11

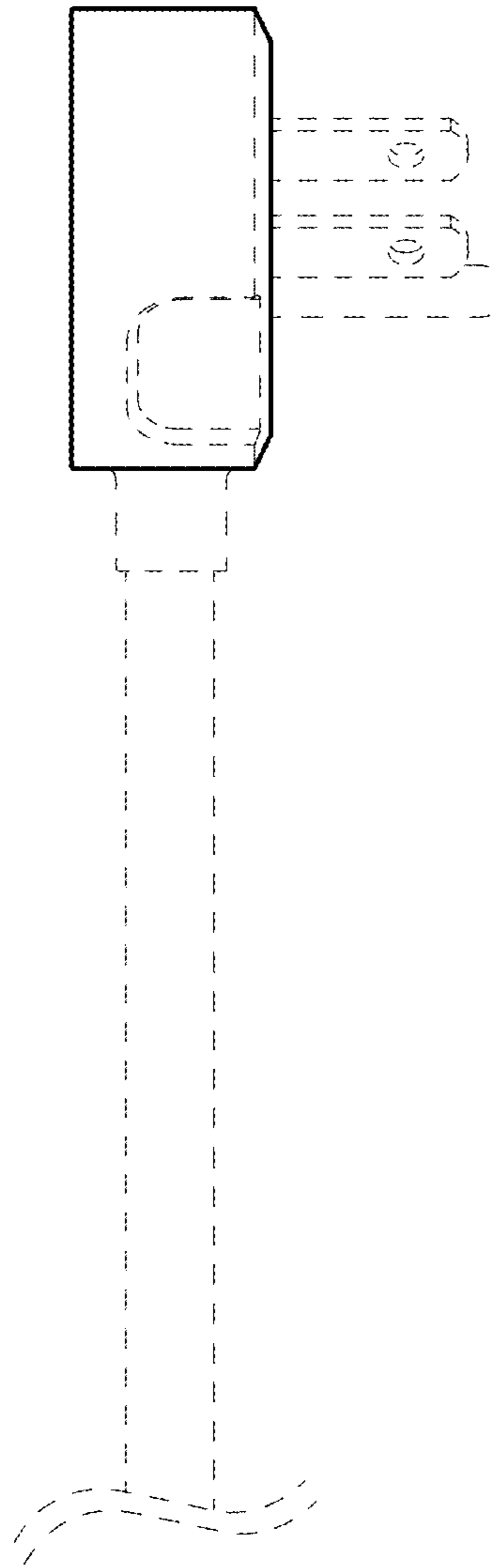


FIG. 12

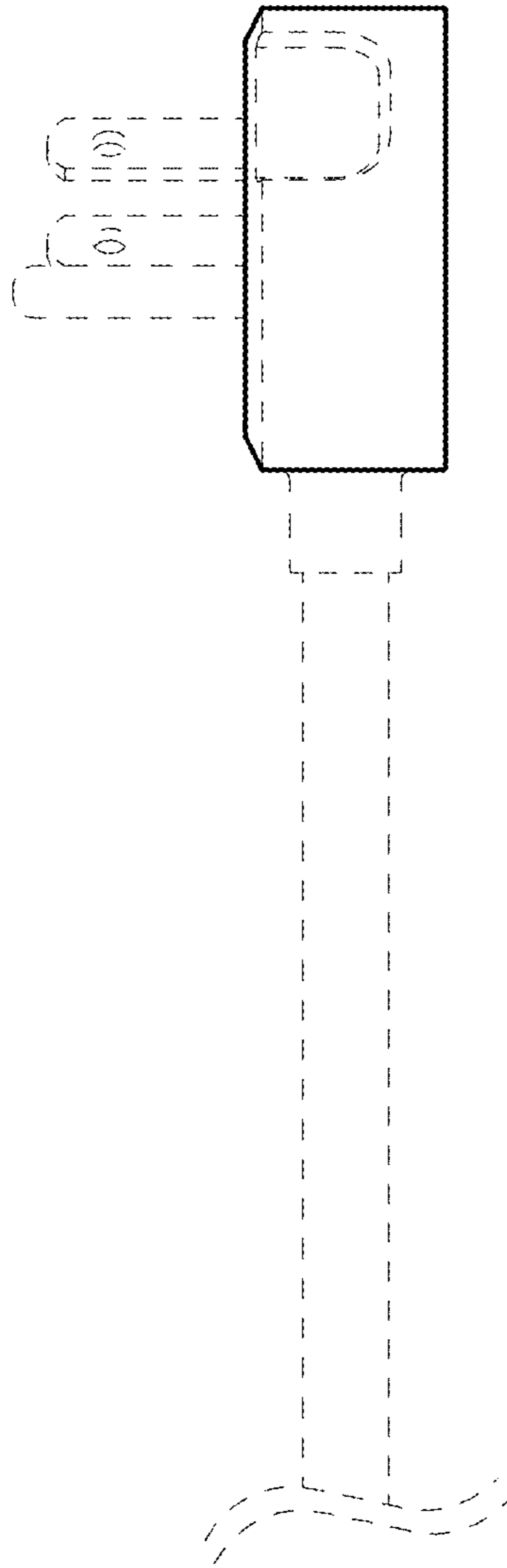


FIG 13

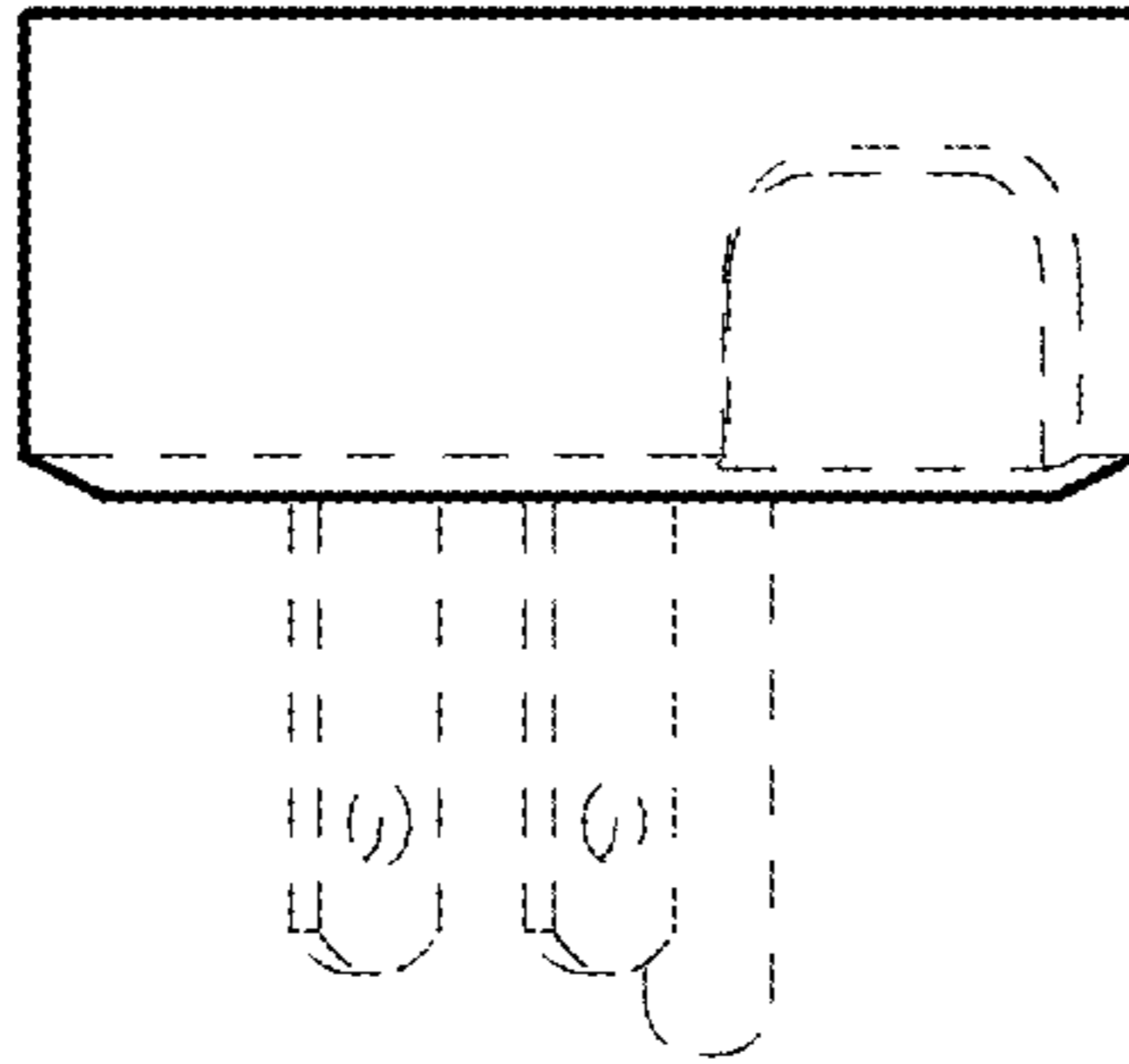


FIG. 14

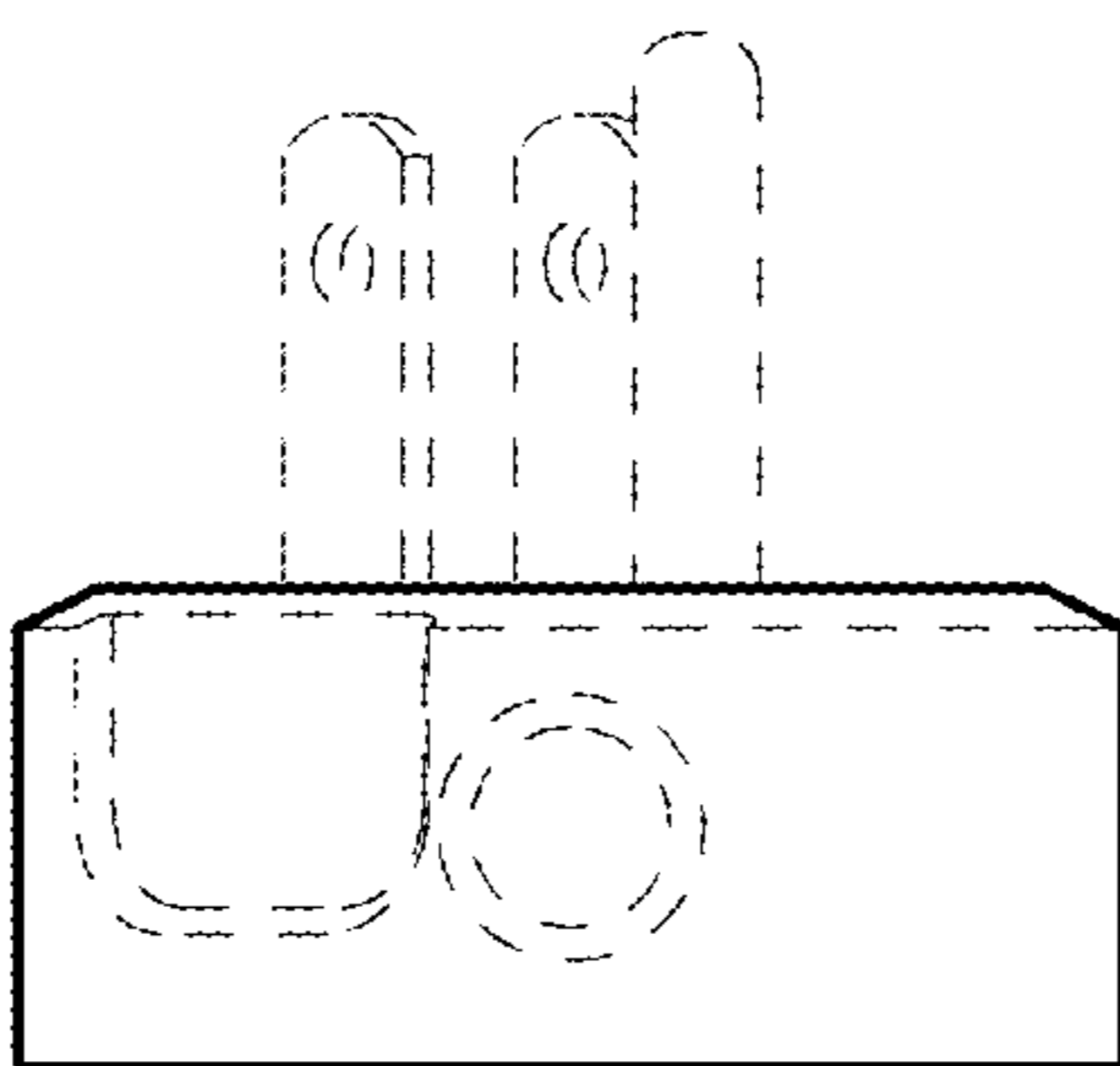


FIG. 15

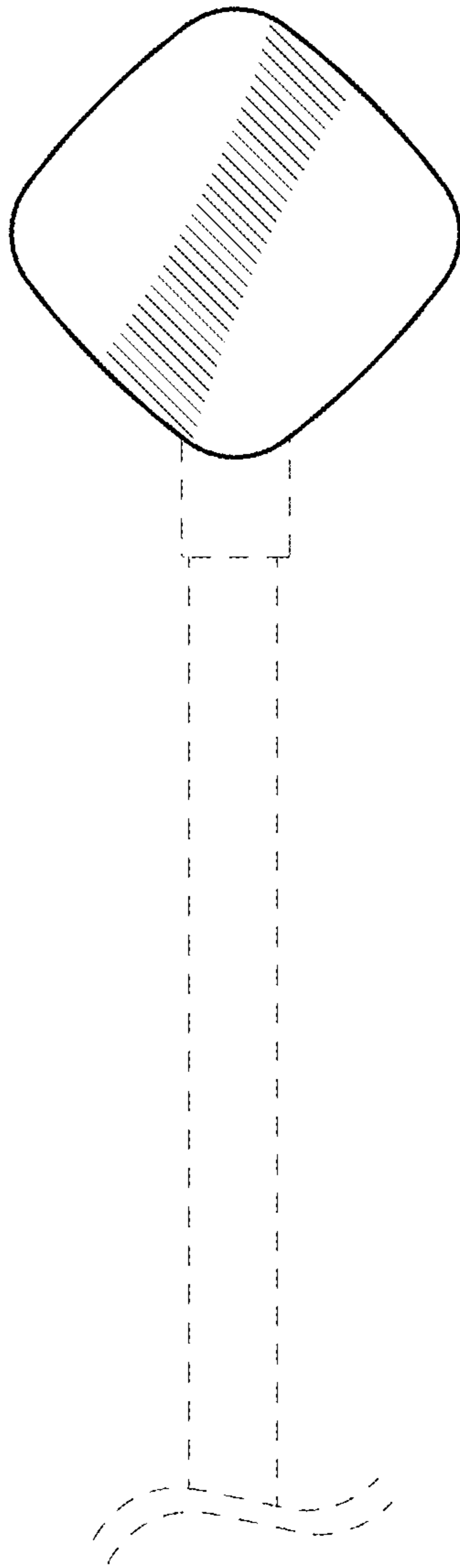


FIG. 16

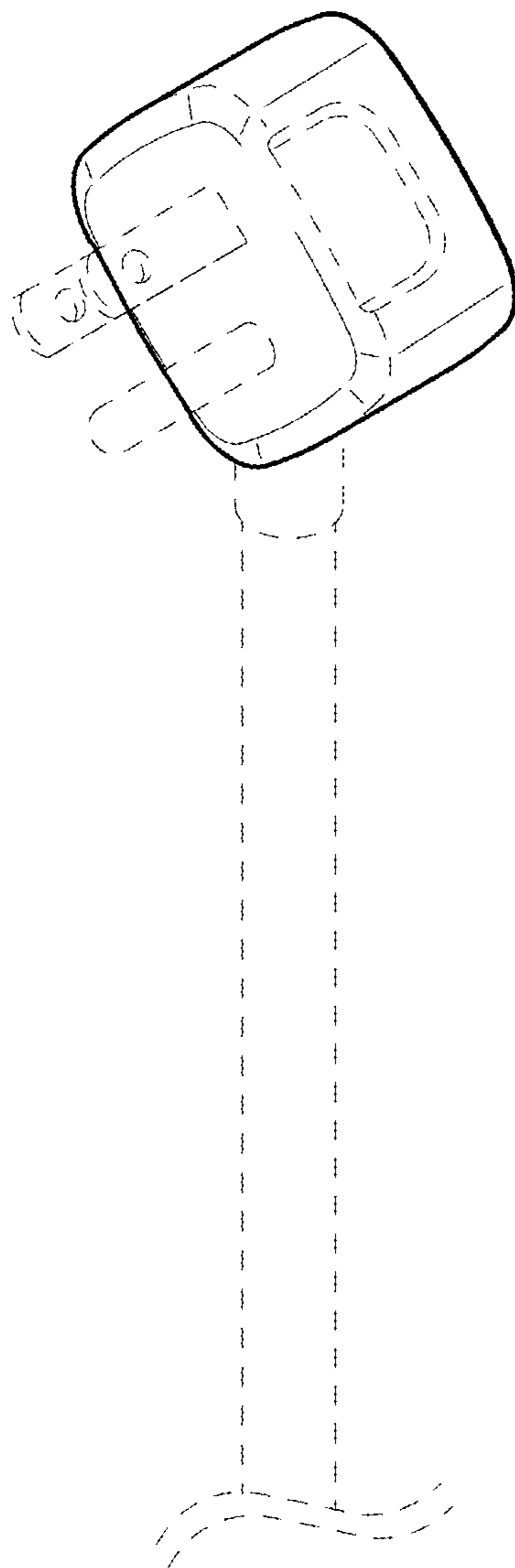


FIG. 17

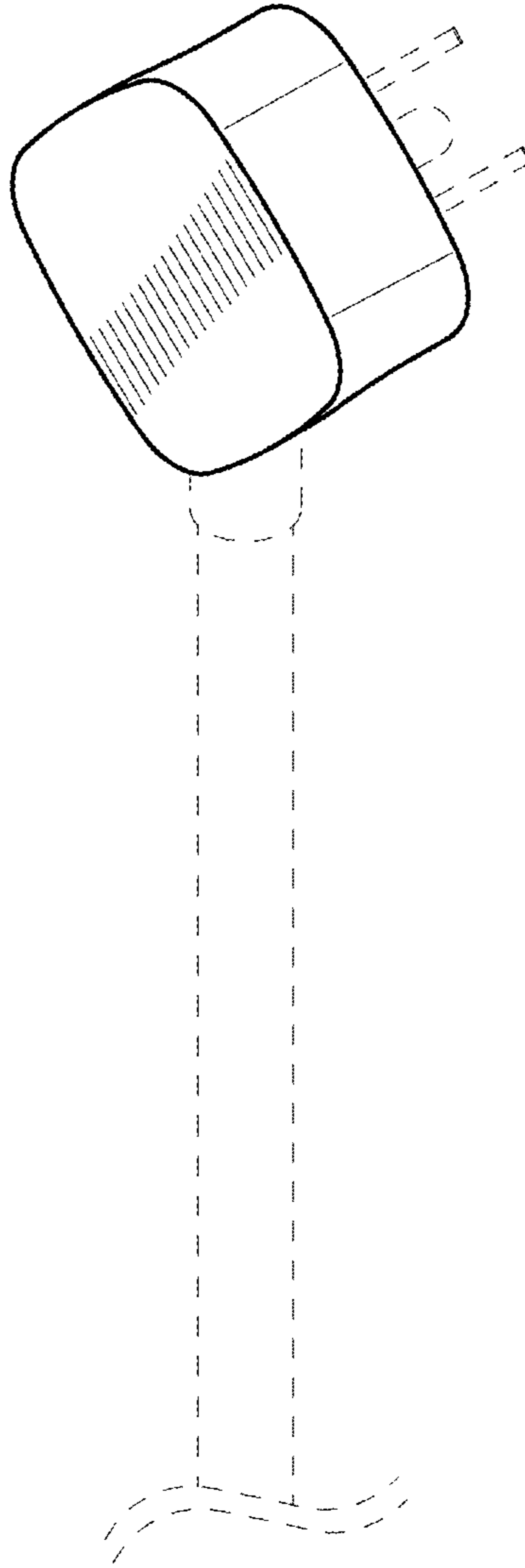


FIG. 18