



US00D740224S

(12) **United States Design Patent**
Stewart

(10) **Patent No.:** **US D740,224 S**

(45) **Date of Patent:** **** Oct. 6, 2015**

(54) **ELECTRONIC CHARGING DEVICE**

2014/0335919 A1* 11/2014 Stewart et al. 455/573
2014/0370742 A1* 12/2014 Andre et al. 439/501

(71) Applicant: **Brian Stewart**, Indianapolis, IN (US)

* cited by examiner

(72) Inventor: **Brian Stewart**, Indianapolis, IN (US)

Primary Examiner — Rosemary K Tarcza

(**) Term: **14 Years**

(74) *Attorney, Agent, or Firm* — C. John Brannon; Brannon Sowers and Cracraft

(21) Appl. No.: **29/490,231**

(22) Filed: **May 7, 2014**

(51) **LOC (10) Cl.** **13-02**

(52) **U.S. Cl.**
USPC **D13/108**

(57) **CLAIM**

The ornamental design for an electronic charging device, as shown and described.

DESCRIPTION

(58) **Field of Classification Search**

USPC D13/107–110, 118–119, 182, 199;
D14/251, 253, 432, 434; 320/107–115
CPC Y02E 60/12; Y02T 90/14; Y02T 90/122;
Y02T 90/128; Y02T 90/163; H02J 7/025;
H02J 7/0042; H02J 7/0044; H02J 7/0045;
H02J 7/0003; H01F 38/14; H01R 13/6675;
H01M 2/1022; H01M 2/1055; H01M 10/44;
H01M 10/46; H01M 10/425; B60L 11/182

See application file for complete search history.

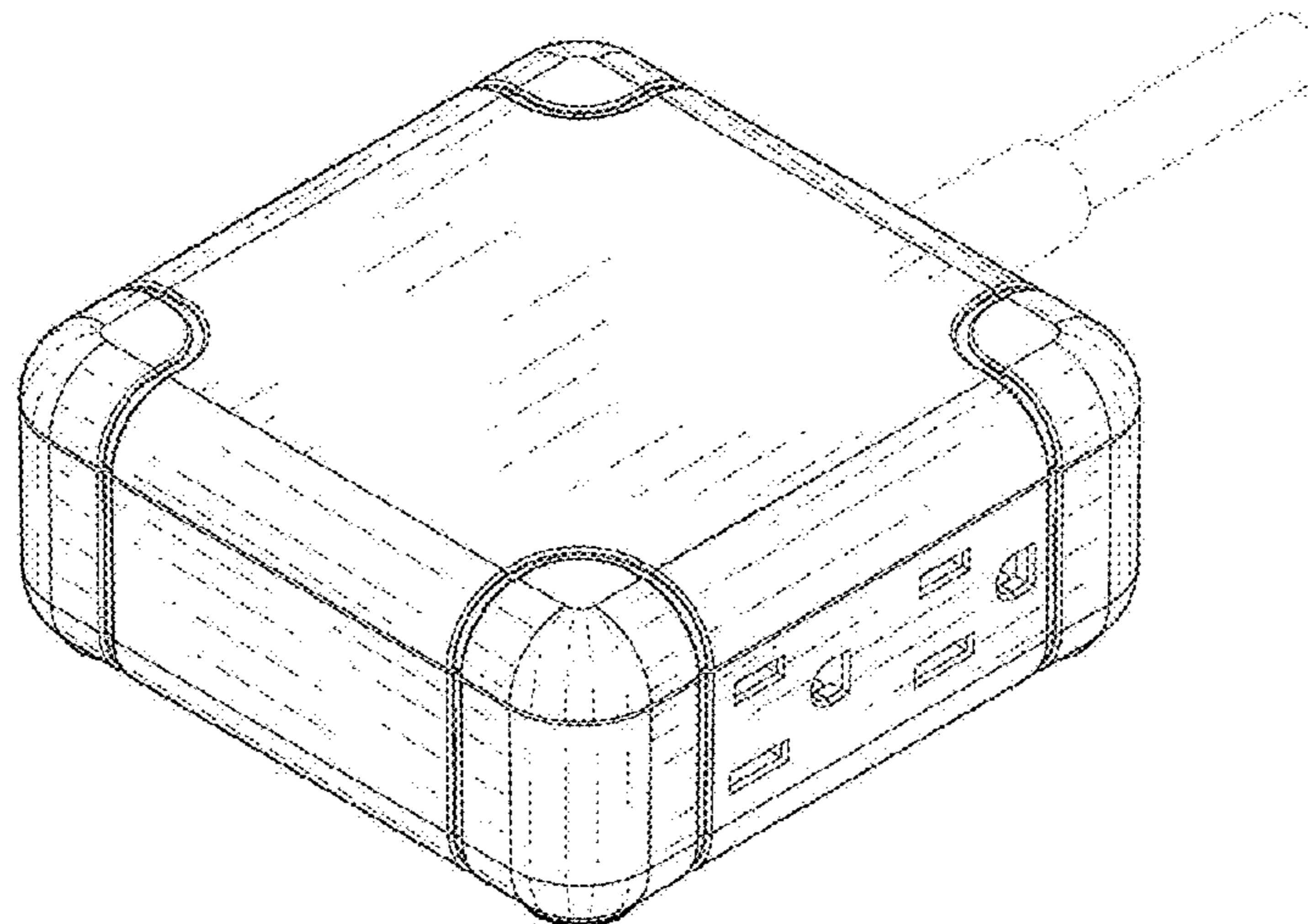
FIG. 1 is a top-front perspective view of one embodiment of an electronic charging device showing my new design. FIG. 2 is a top-left side perspective view of the embodiment of the electronic charging device shown in FIG. 1. FIG. 3 is a bottom-rear perspective view of the embodiment of the electronic charging device shown in FIG. 1. FIG. 4 is a top plan view of the embodiment of the electronic charging device shown in FIG. 1. FIG. 5 is a right elevational view of the embodiment of the electronic charging device as shown in FIG. 1. FIG. 6 is a left elevational view of the embodiment of the electronic charging device as shown in FIG. 1. FIG. 7 is a front elevational view of the embodiment of the electronic charging device as shown in FIG. 1. FIG. 8 is a rear elevational view of the embodiment of the electronic charging device as shown in FIG. 1 with an opening to demonstrate where the attached or removable AC plug is located, shown in broken lines; and, FIG. 9 is a bottom plan view of the embodiment of the electronic charging device shown in FIG. 1. The broken lines shown in the drawings are included for the purpose of illustrating environmental structure and form no part of the claimed design.

(56) **References Cited**

U.S. PATENT DOCUMENTS

| | | | | | |
|------------|---|---------|-----------------|-------|---------|
| D648,270 S | * | 11/2011 | Jiang | | D13/103 |
| D657,743 S | * | 4/2012 | Andre et al. | | D13/110 |
| D662,473 S | * | 6/2012 | Andre et al. | | D13/110 |
| D682,781 S | * | 5/2013 | Wakafuji et al. | | D13/110 |
| D694,183 S | * | 11/2013 | Matsuoka et al. | | D13/110 |
| D694,185 S | * | 11/2013 | Matsuoka et al. | | D13/110 |
| D704,135 S | * | 5/2014 | Stewart et al. | | D13/108 |
| D711,824 S | * | 8/2014 | Matsuoka et al. | | D13/110 |
| D715,734 S | * | 10/2014 | Levy | | D13/110 |
| D718,714 S | * | 12/2014 | Si | | D13/110 |
| D718,715 S | * | 12/2014 | Si | | D13/110 |

1 Claim, 7 Drawing Sheets



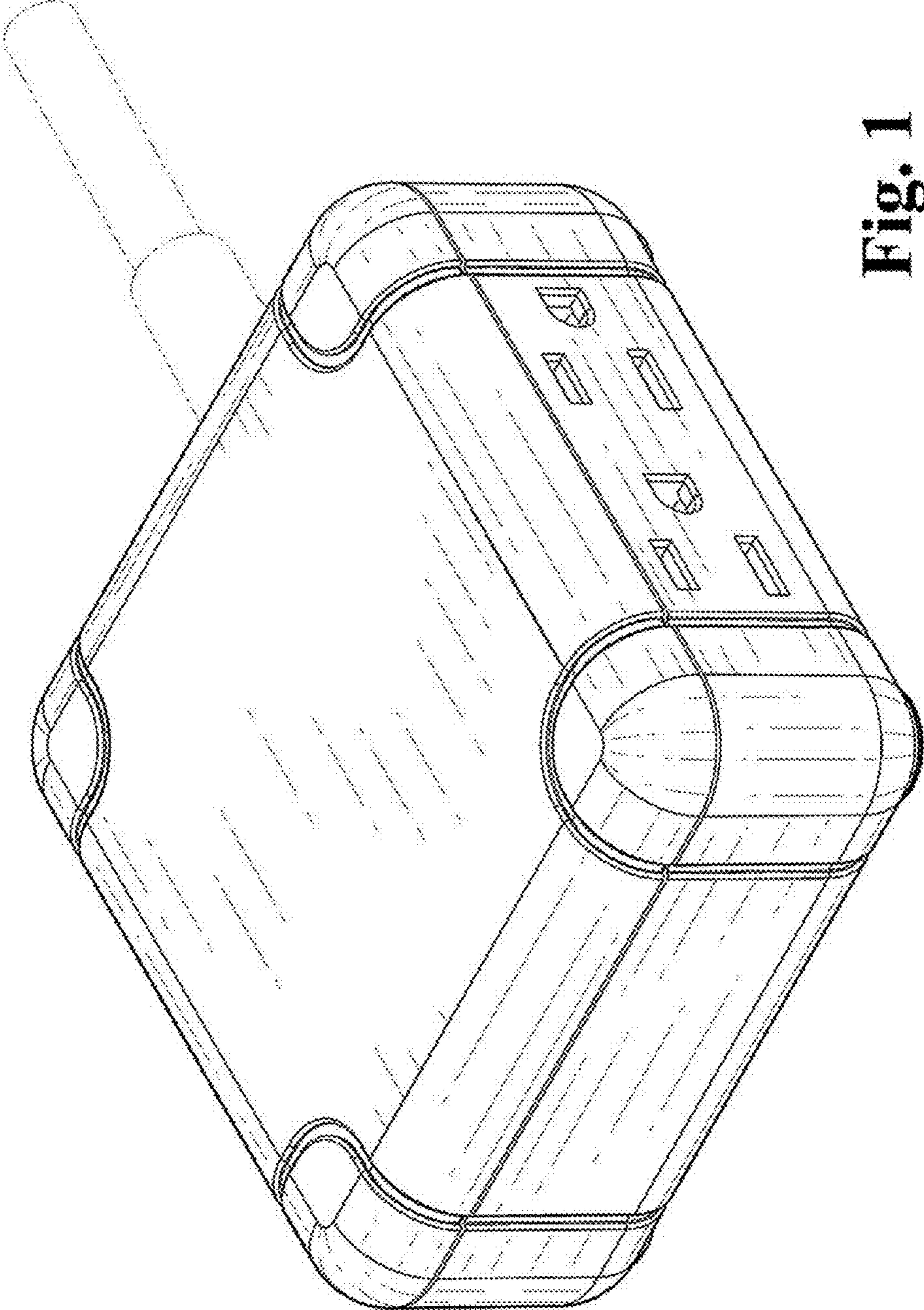


Fig. 1

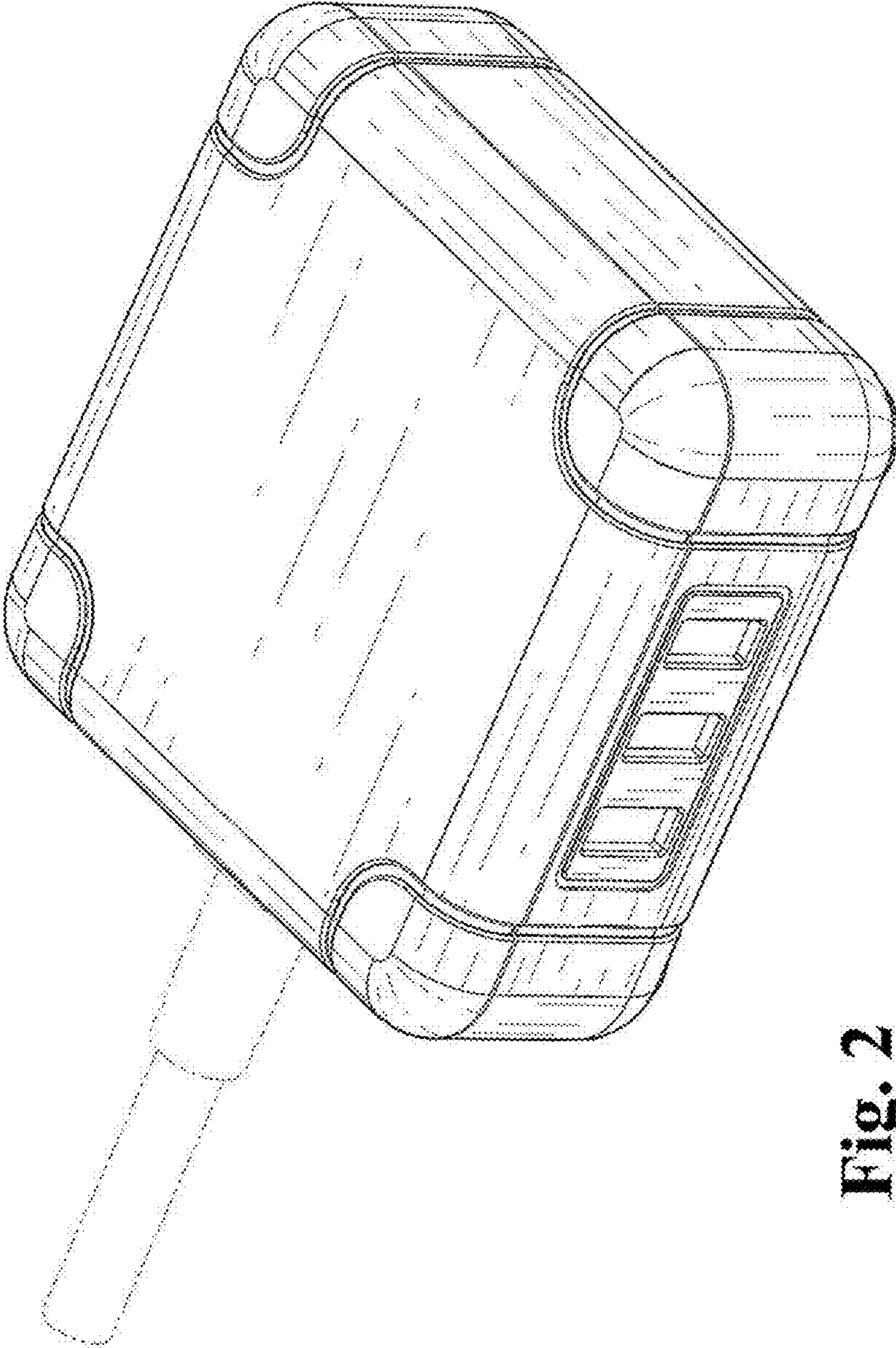


Fig. 2

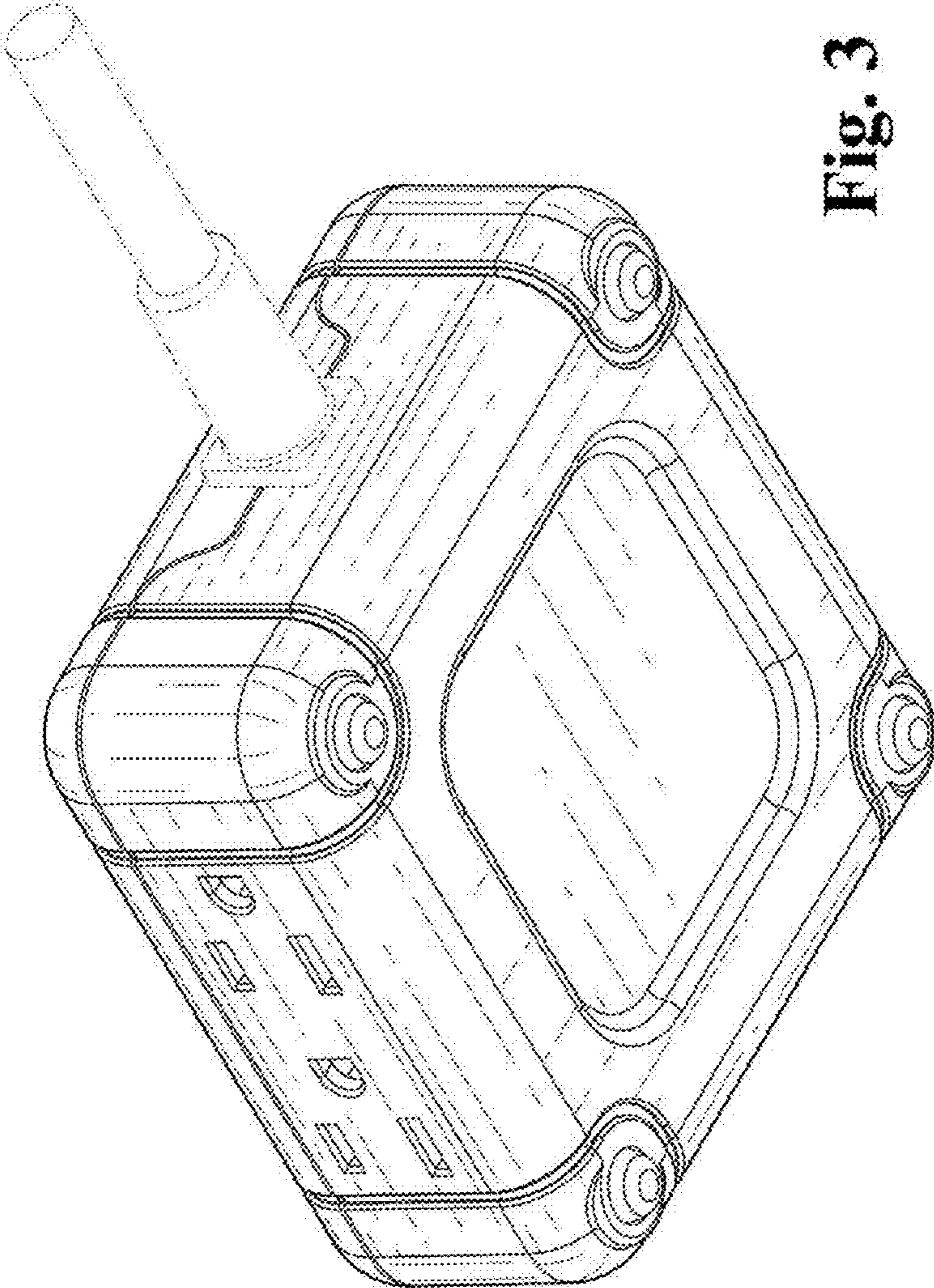


Fig. 3

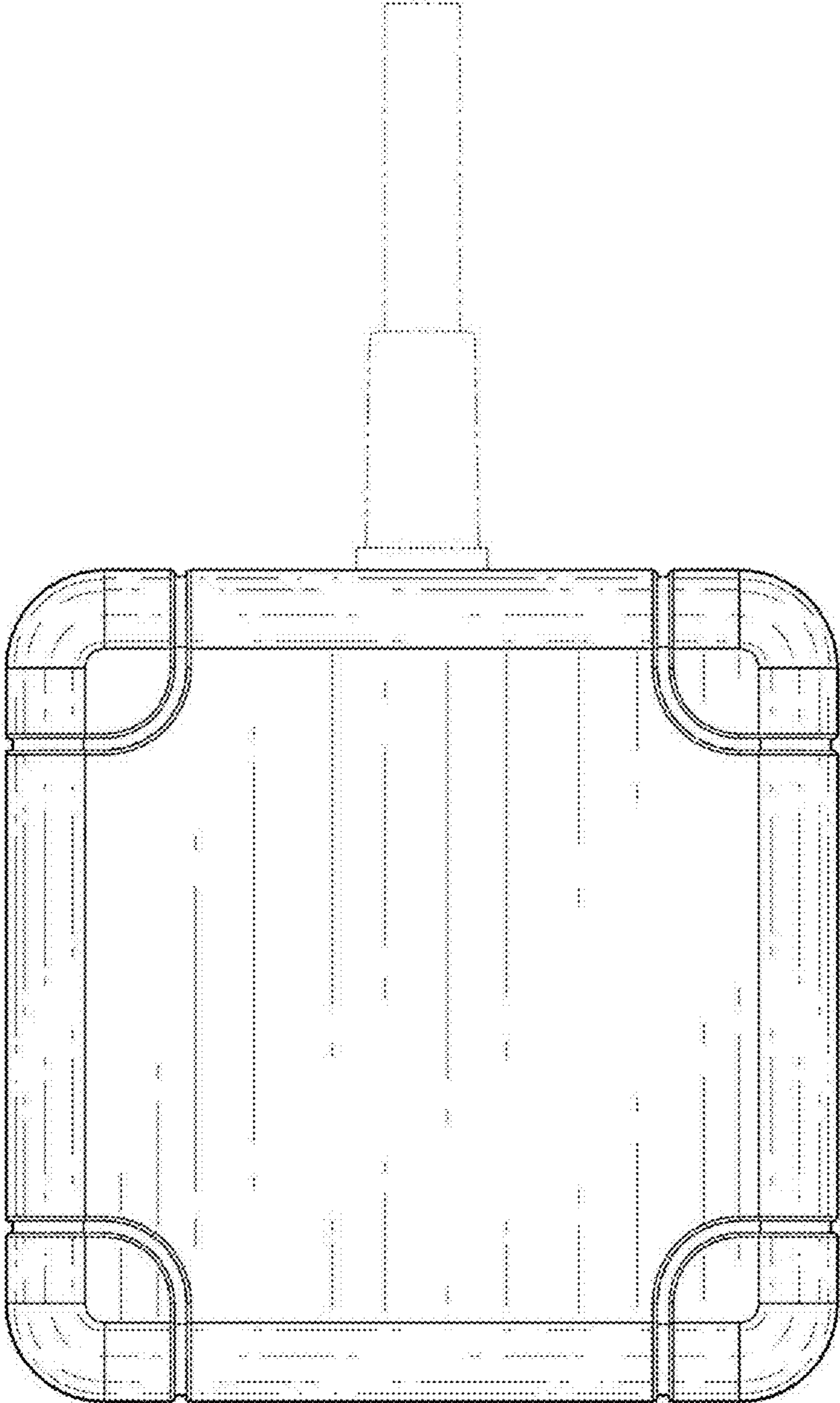


Fig. 4

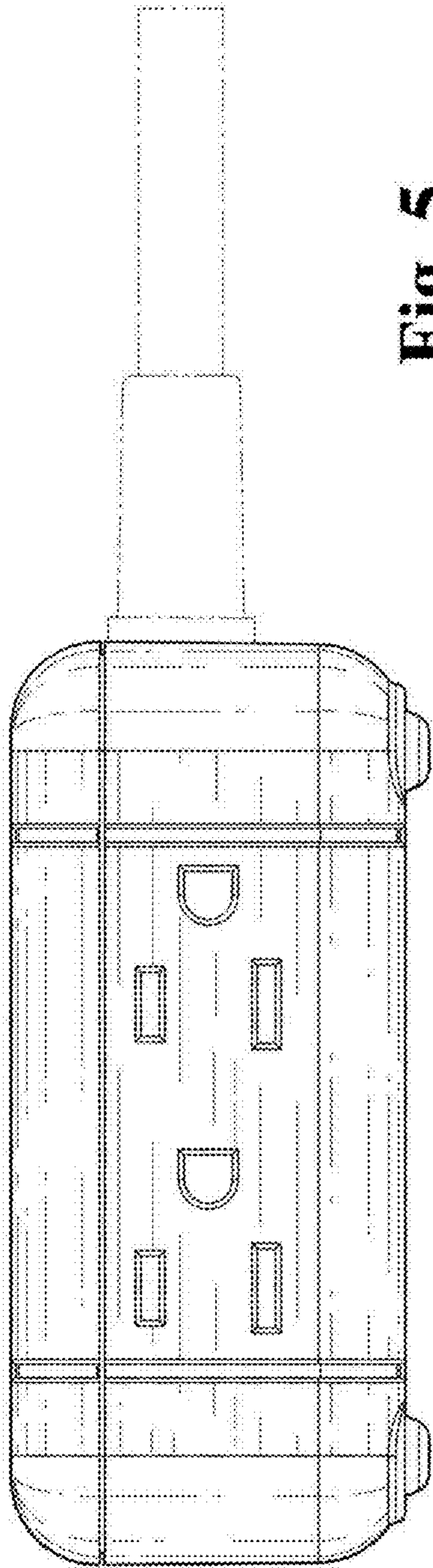


Fig. 5

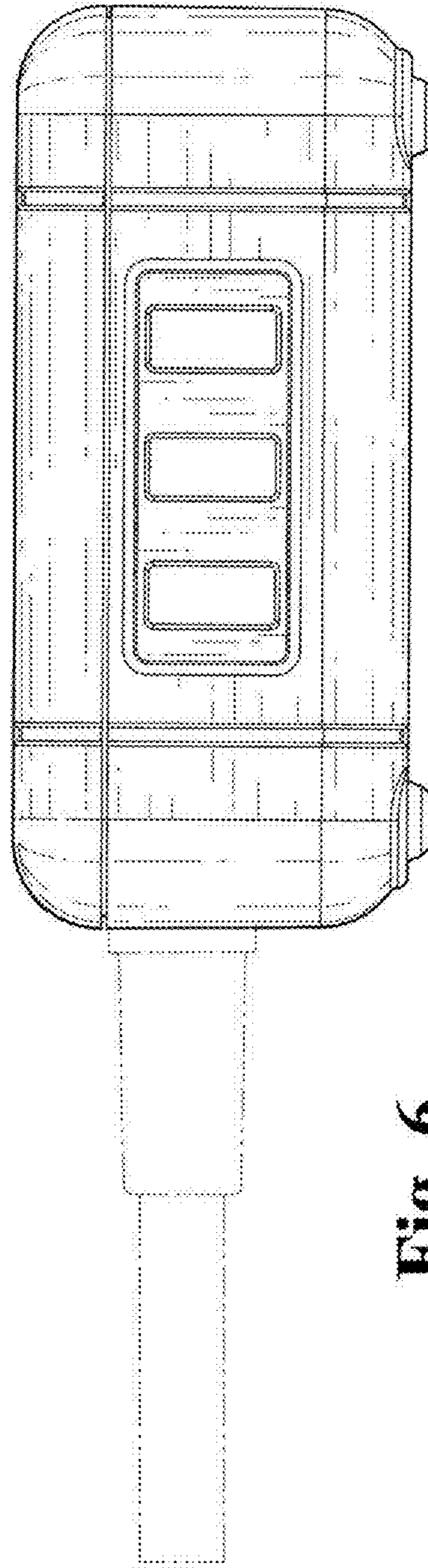


Fig. 6

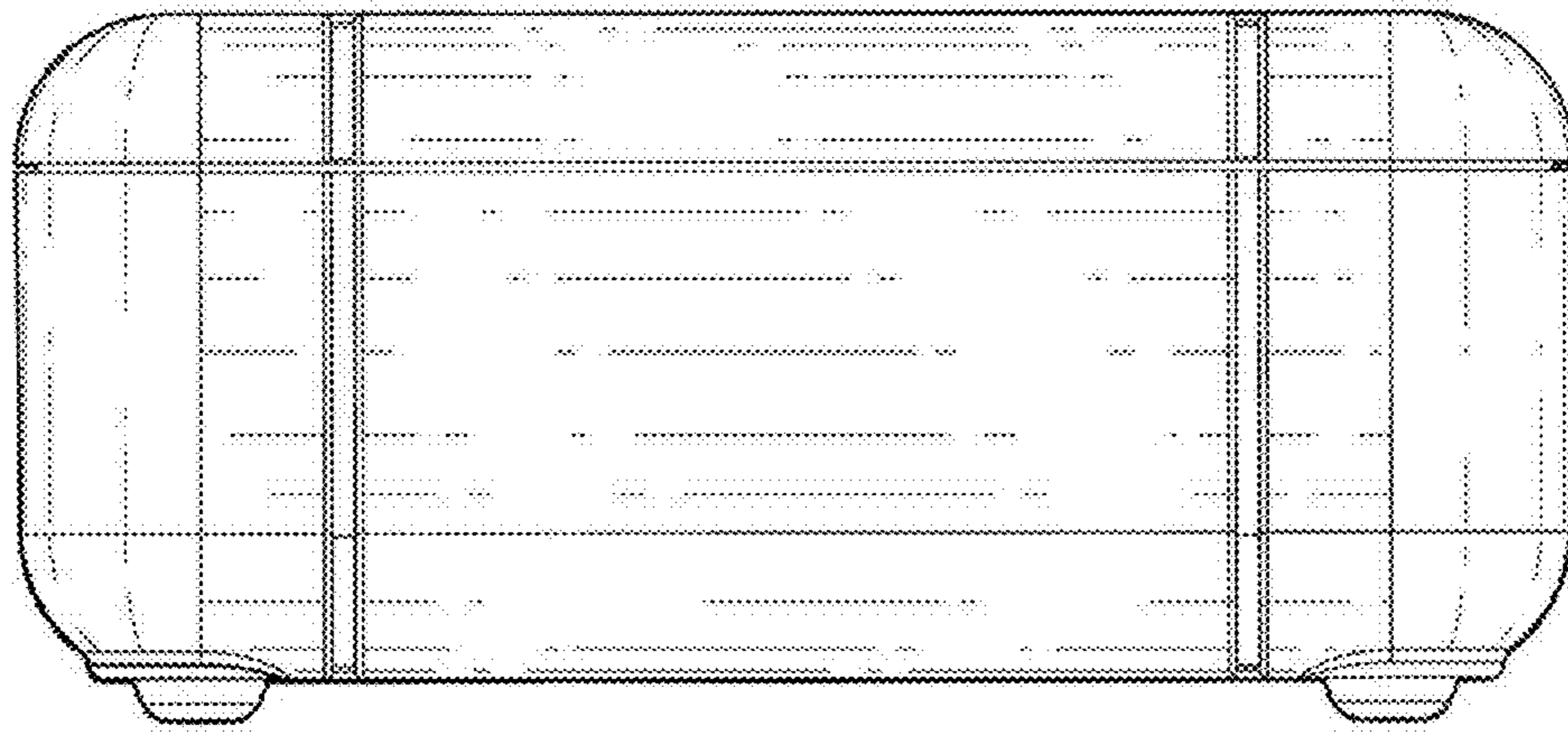


Fig. 7

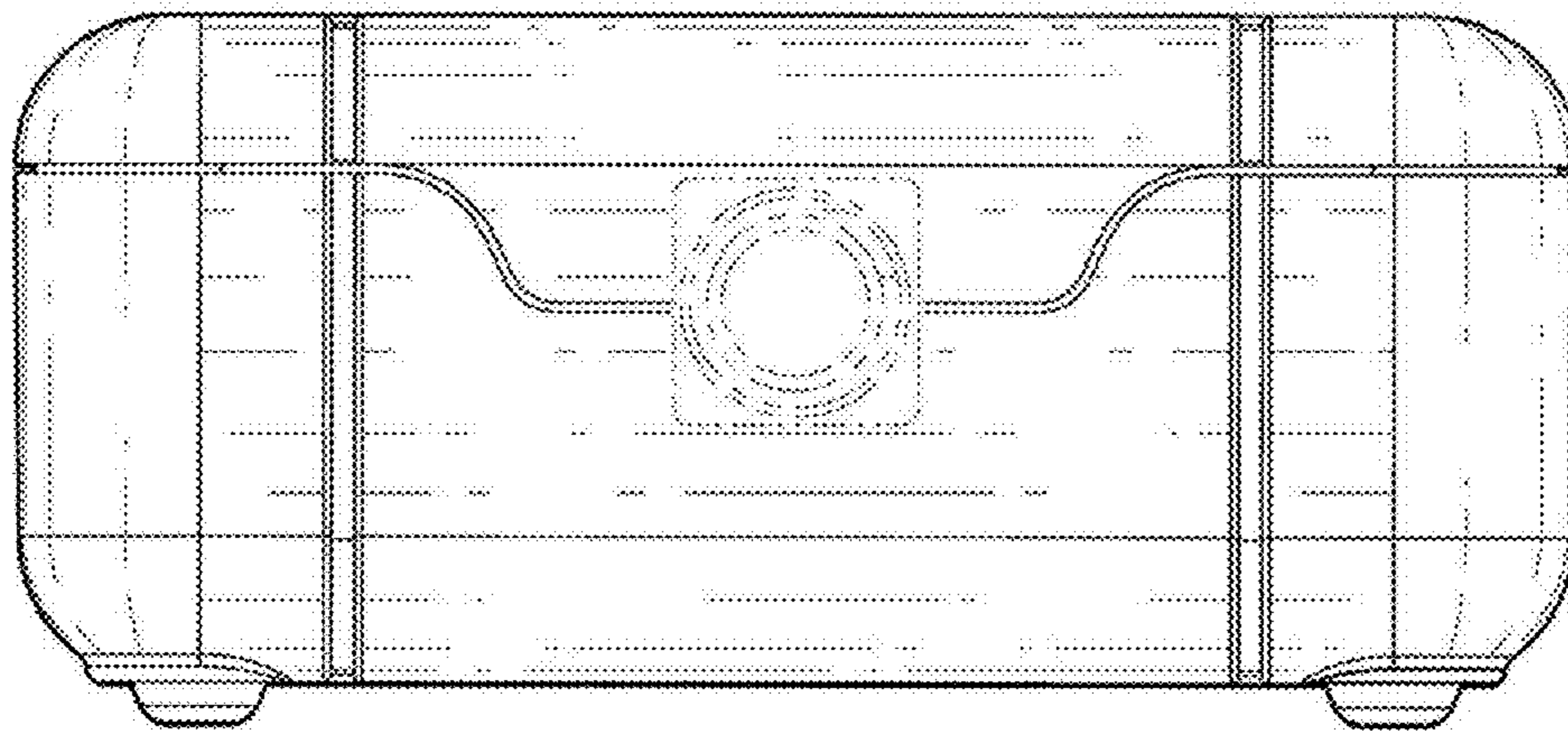


Fig. 8

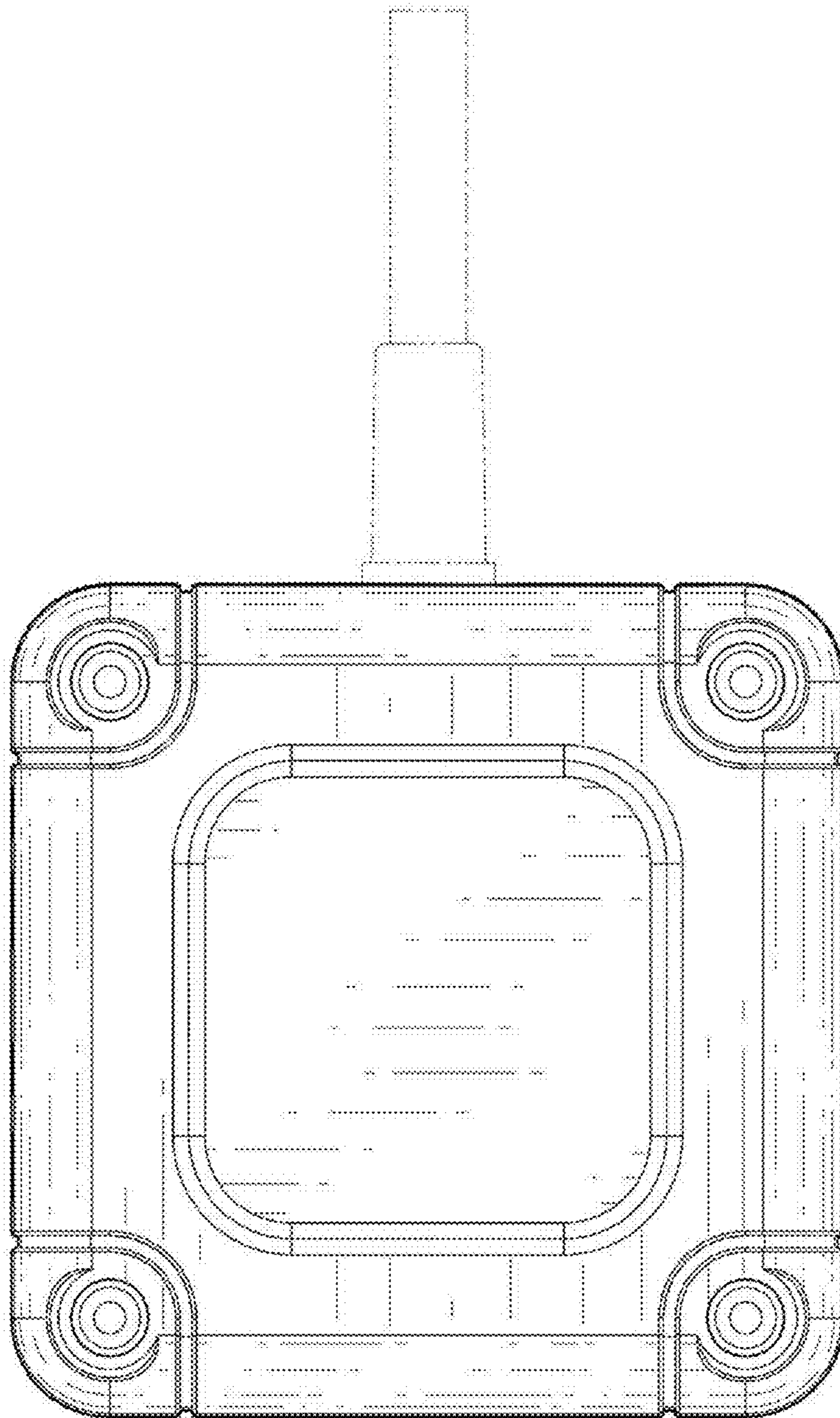


Fig. 9