



US00D740223S

(12) **United States Design Patent**
Yoneta

(10) **Patent No.:** **US D740,223 S**
(45) **Date of Patent:** **** Oct. 6, 2015**

(54) **BATTERY CHARGE CASE FOR A BIOMEDICAL SIGNAL RECORDER WITH A RADIO FUNCTION**

(71) Applicant: **Kabushiki Kaisha Toshiba**, Minato-ku, Tokyo (JP)

(72) Inventor: **Kousuke Yoneta**, Minato-ku (JP)

(73) Assignee: **Kabushiki Kaisha Toshiba**, Minato-ku, Tokyo (JP)

(**) Term: **14 Years**

(21) Appl. No.: **29/465,685**

(22) Filed: **Aug. 30, 2013**

(30) **Foreign Application Priority Data**

Mar. 4, 2013 (JP) 2013-004678

(51) **LOC (10) Cl.** **13-02**

(52) **U.S. Cl.**
USPC **D13/108**

(58) **Field of Classification Search**

USPC D13/107–110, 118–119, 182, 199;
D14/251, 253, 432, 434; 320/107–115
CPC Y02E 60/12; Y02T 90/14; Y02T 90/122;
Y02T 90/128; Y02T 90/163; H02J 7/025;
H02J 7/0042; H02J 7/0044; H02J 7/0045;
H02J 7/0003; H01F 38/14; H01R 13/6675;
H01M 2/1022; H01M 2/1055; H01M 10/44;
H01M 10/46; H01M 10/425; B60L 11/182

See application file for complete search history.

(56) **References Cited**

U.S. PATENT DOCUMENTS

D336,281	S	*	6/1993	Nakamura et al.	D13/107
D407,685	S	*	4/1999	Lohrding et al.	D13/107
D434,142	S	*	11/2000	Cheney et al.	D24/111
D446,854	S	*	8/2001	Cheney et al.	D24/111
D605,587	S	*	12/2009	Nomi et al.	D13/107
D610,983	S	*	3/2010	Wai	D13/108
D687,037	S	*	7/2013	Zhou et al.	D14/434

FOREIGN PATENT DOCUMENTS

CN	301271521	6/2010
JP	1355942	4/2009
JP	1434751	2/2012

* cited by examiner

Primary Examiner — Rosemary K Tarca

(74) *Attorney, Agent, or Firm* — Banner & Witcoff, Ltd.

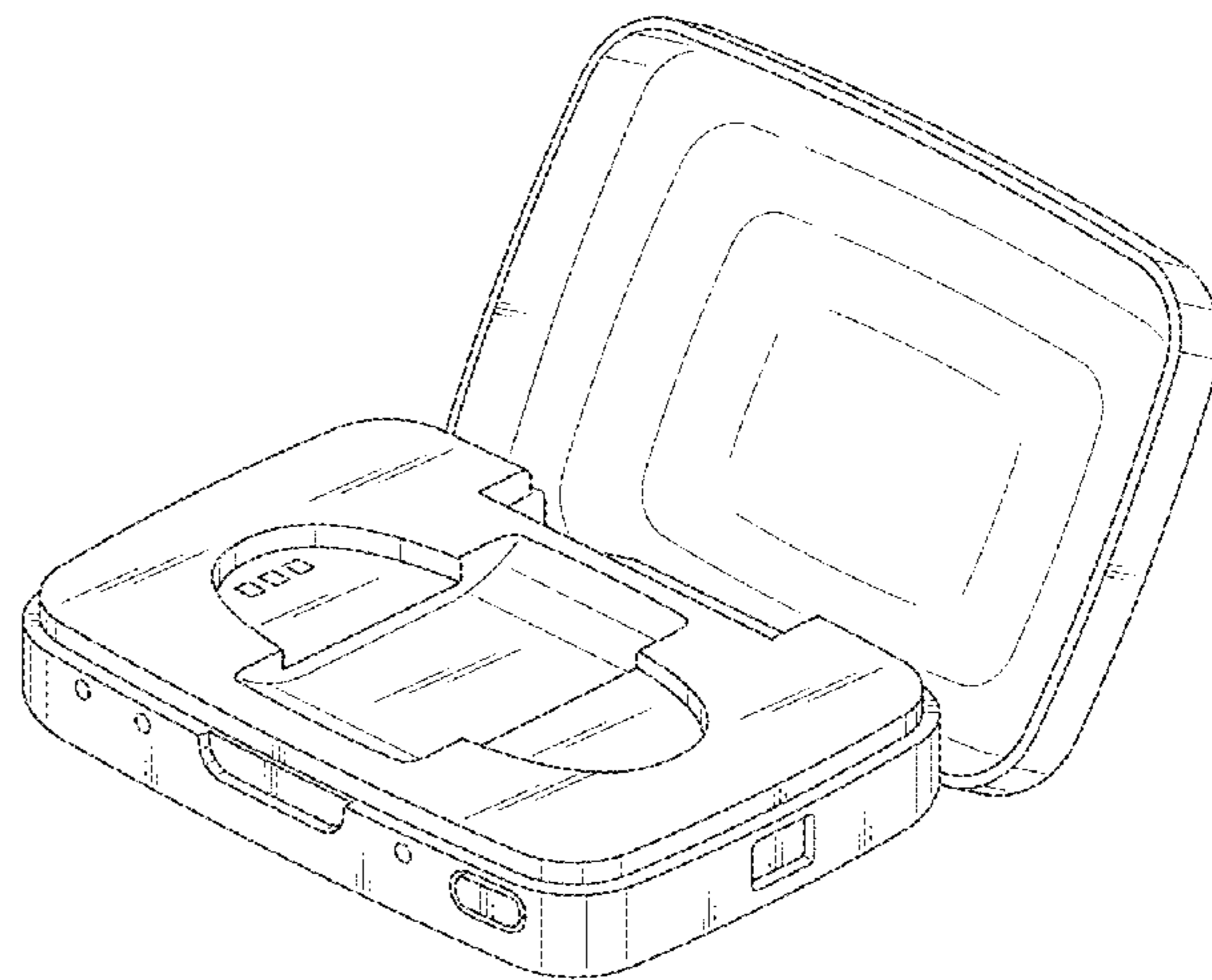
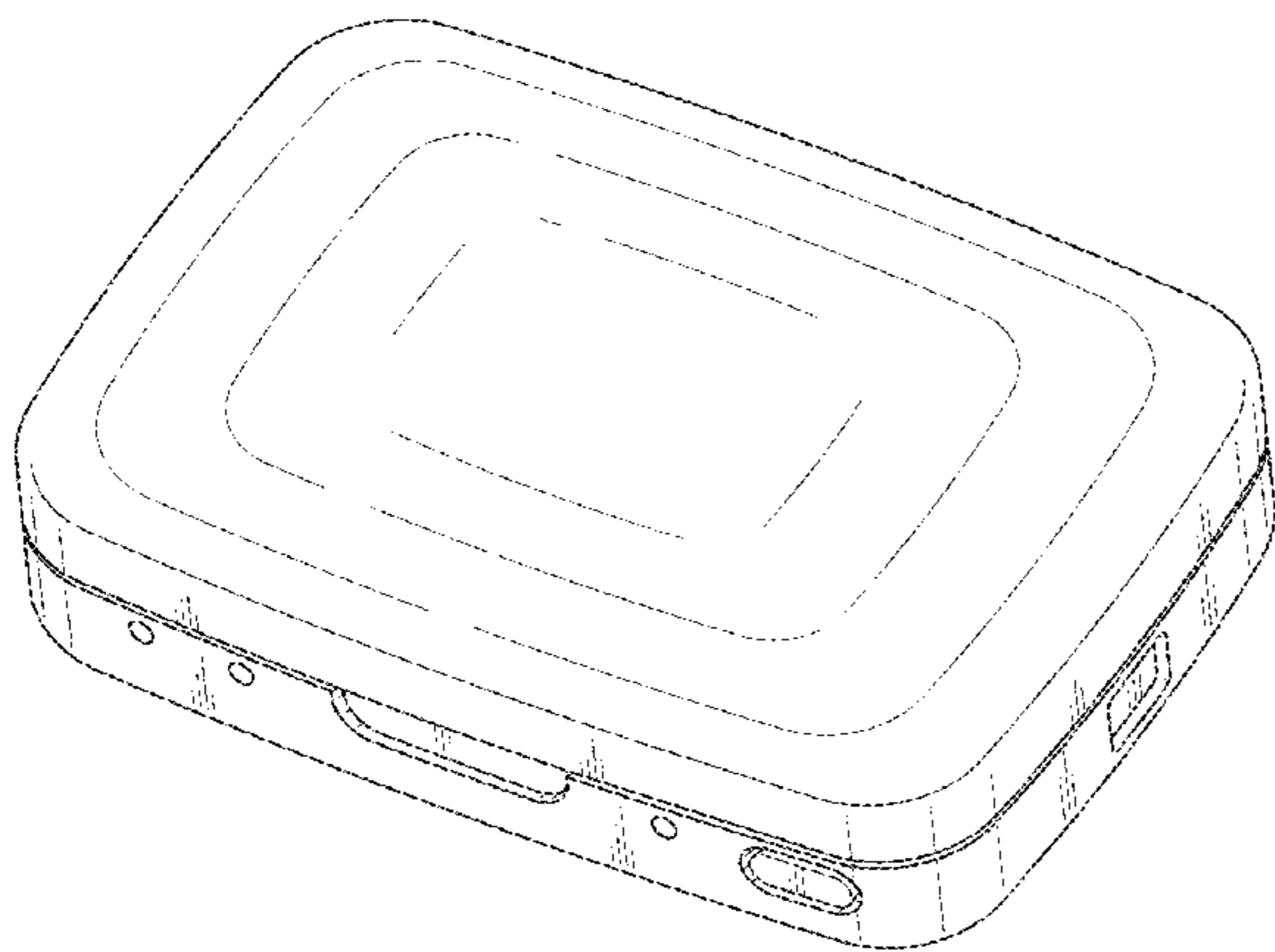
(57) **CLAIM**

The ornamental design for a battery charge case for a biomedical signal recorder with a radio function, as shown and described.

DESCRIPTION

FIG. 1 is a perspective view of a battery charge case for a biomedical signal recorder with a radio function, showing my new design;
FIG. 2 is a top view thereof;
FIG. 3 is a front view thereof;
FIG. 4 is a rear view thereof;
FIG. 5 is a bottom view thereof;
FIG. 6 is a left side view thereof;
FIG. 7 is a right side view thereof;
FIG. 8 is a cross sectional view thereof, taken along the line 8-8 in FIG. 3 with its internal mechanisms omitted; and,
FIG. 9 is perspective view with the cover in an opened state. The broken lines are for illustrative purposes only and form no part of the claimed design.

1 Claim, 5 Drawing Sheets



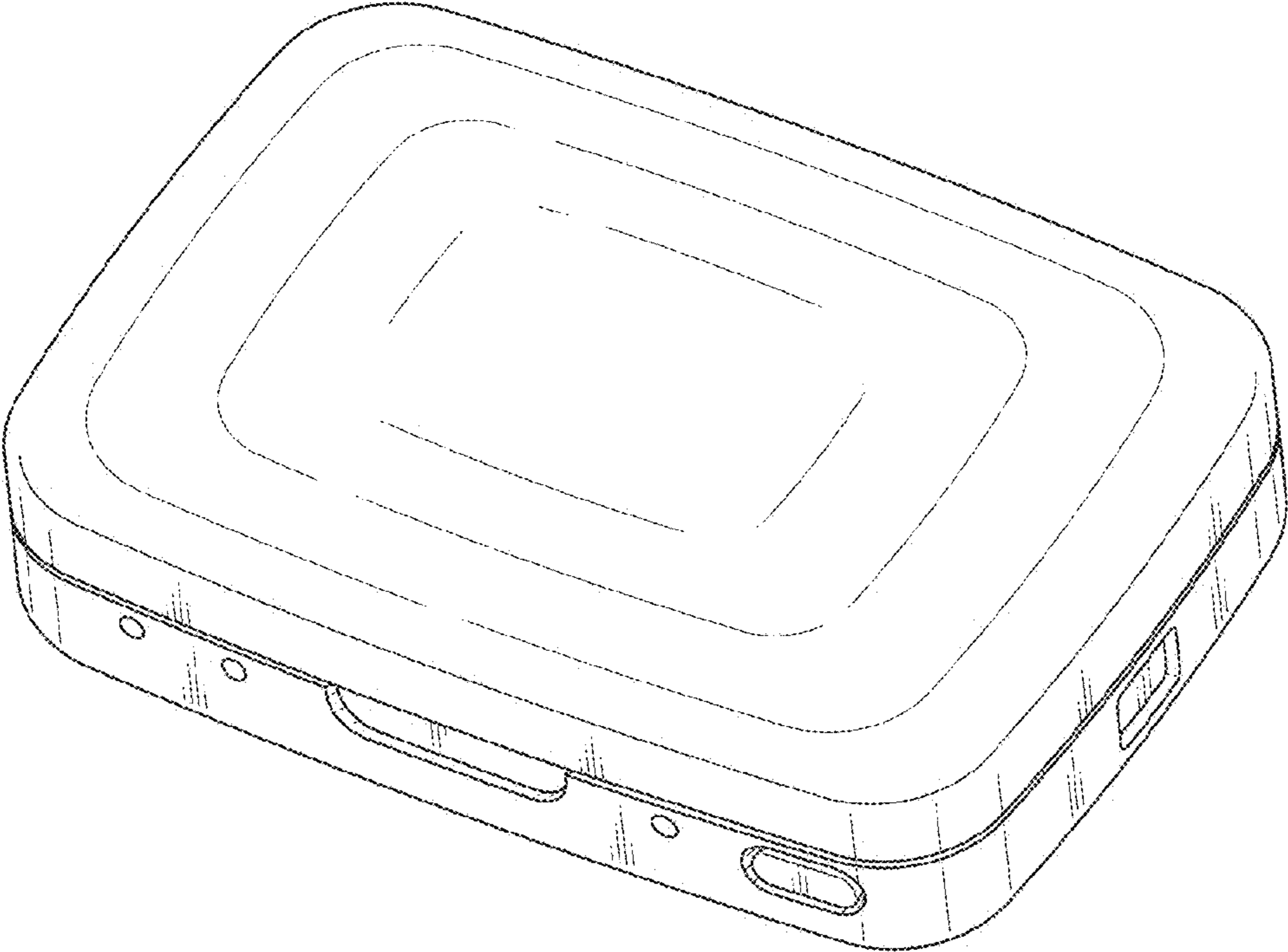


FIG. 1

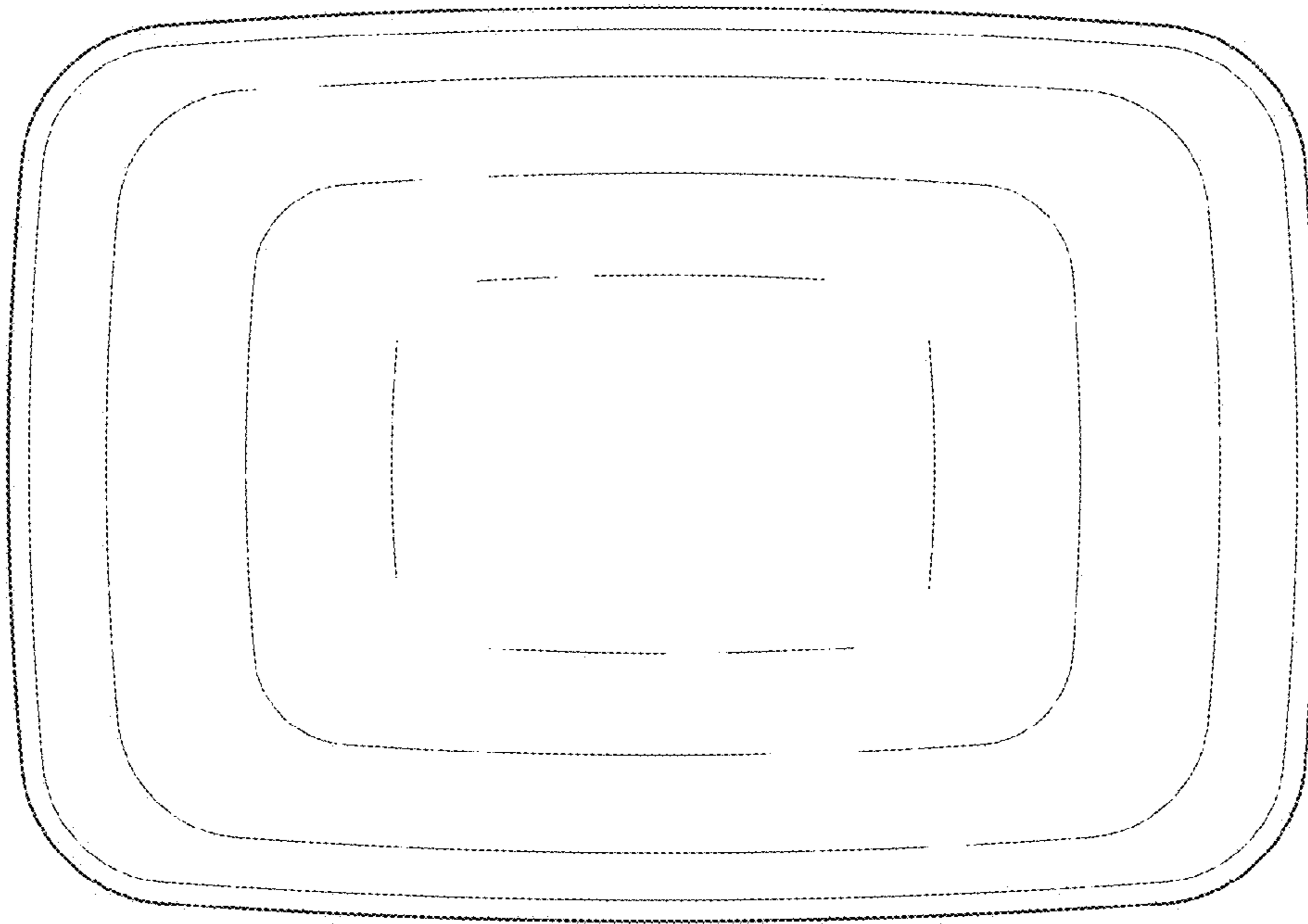
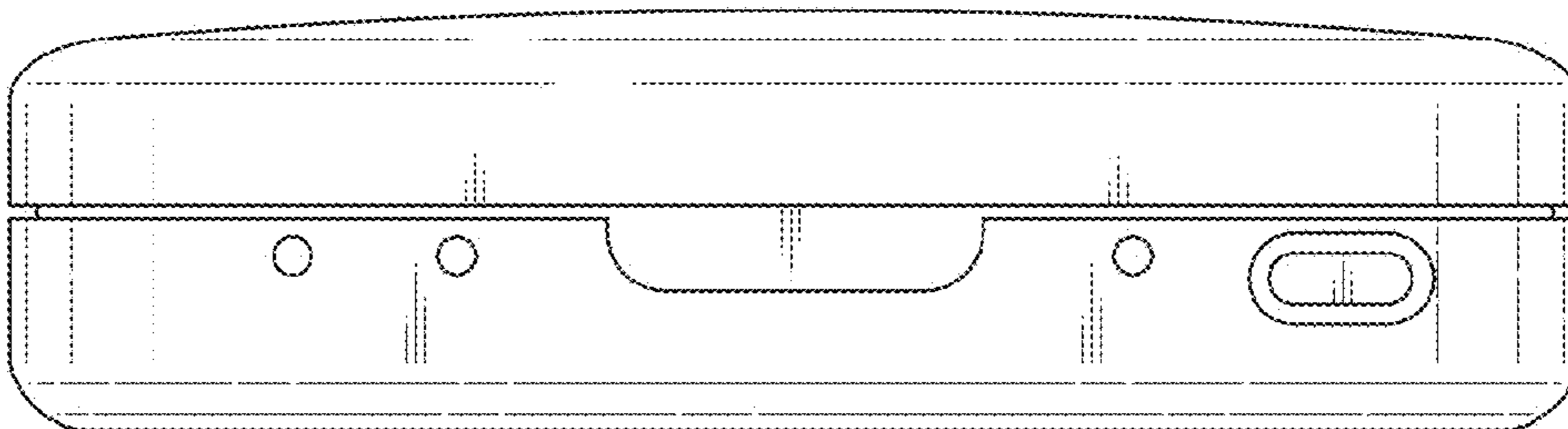


FIG. 2

8 ↙



8 ↙

FIG. 3

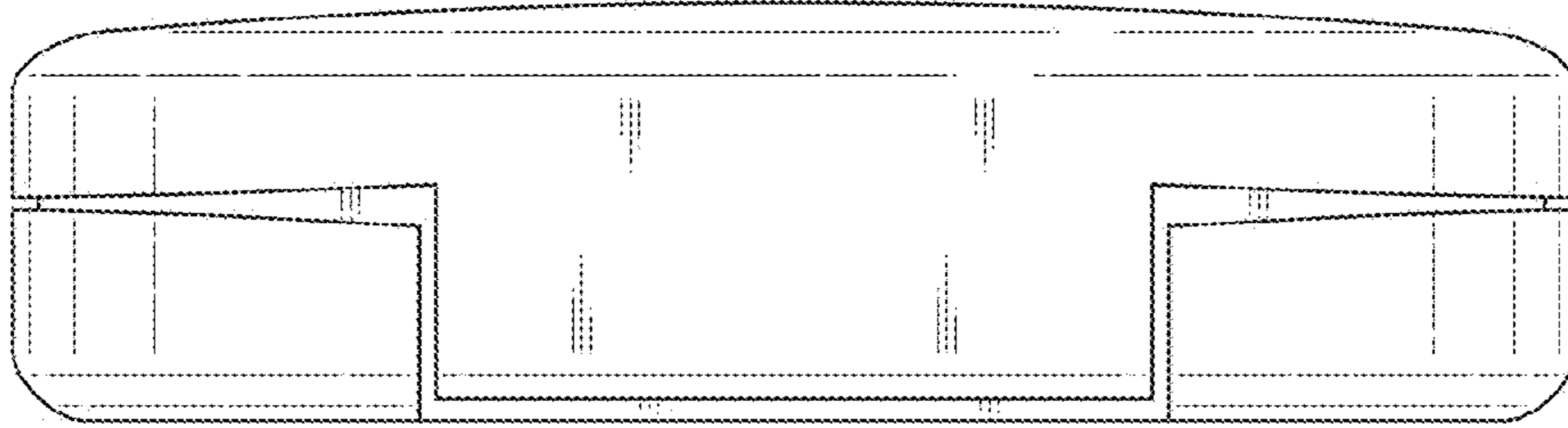


FIG. 4

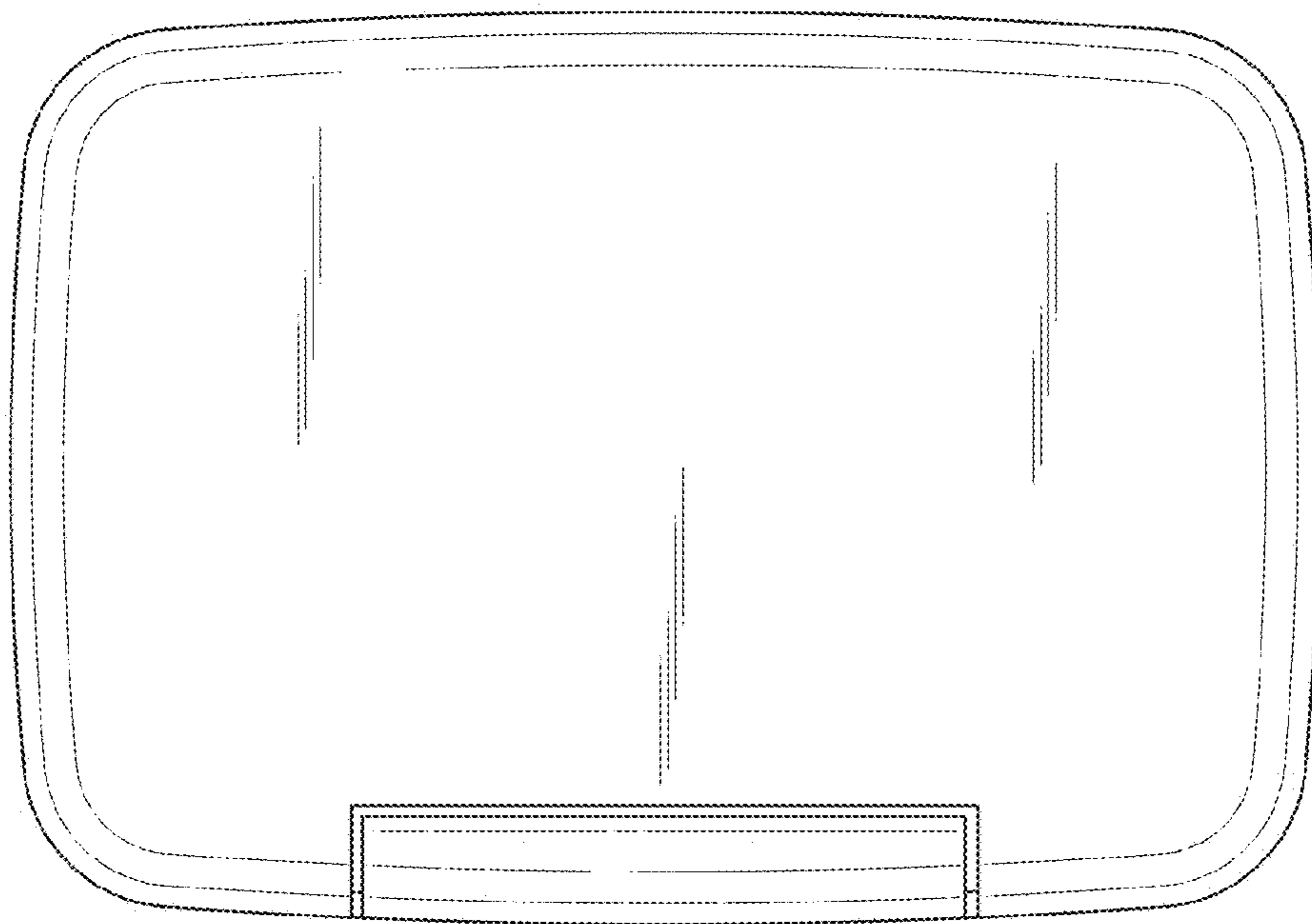


FIG. 5

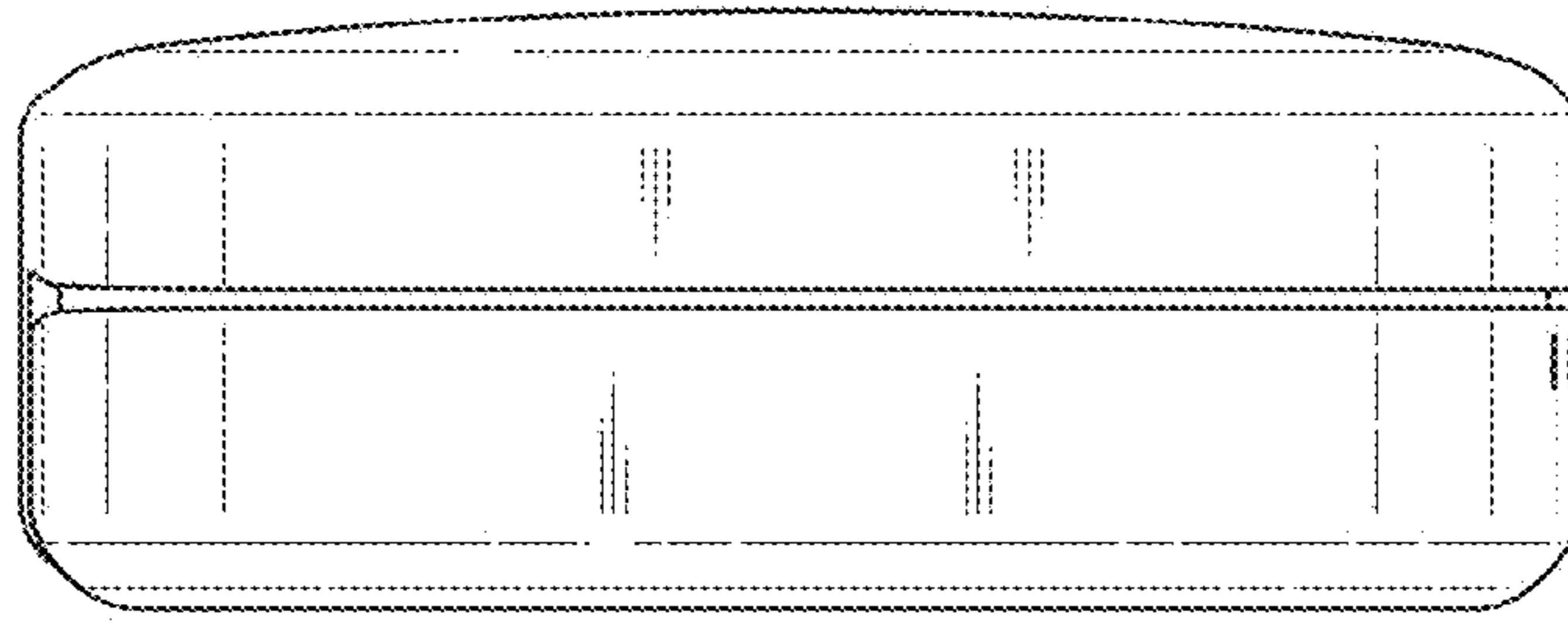


FIG. 6

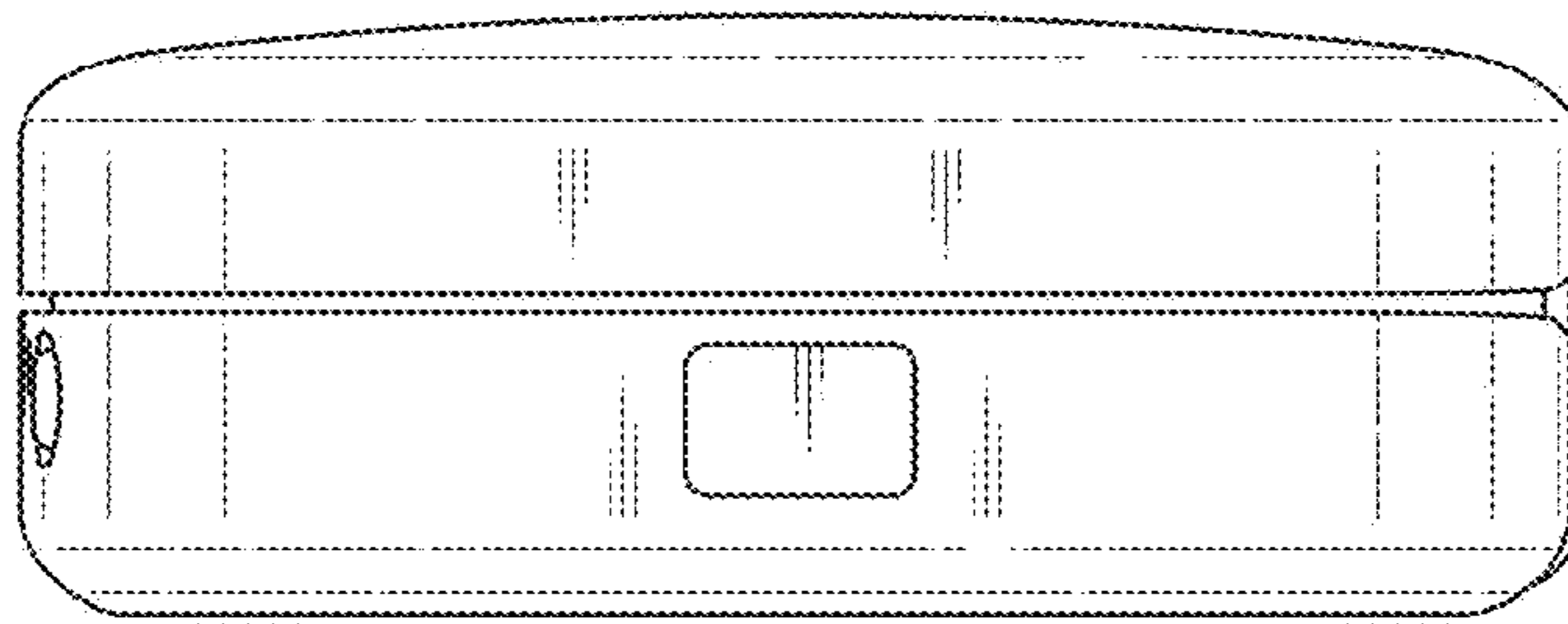


FIG. 7

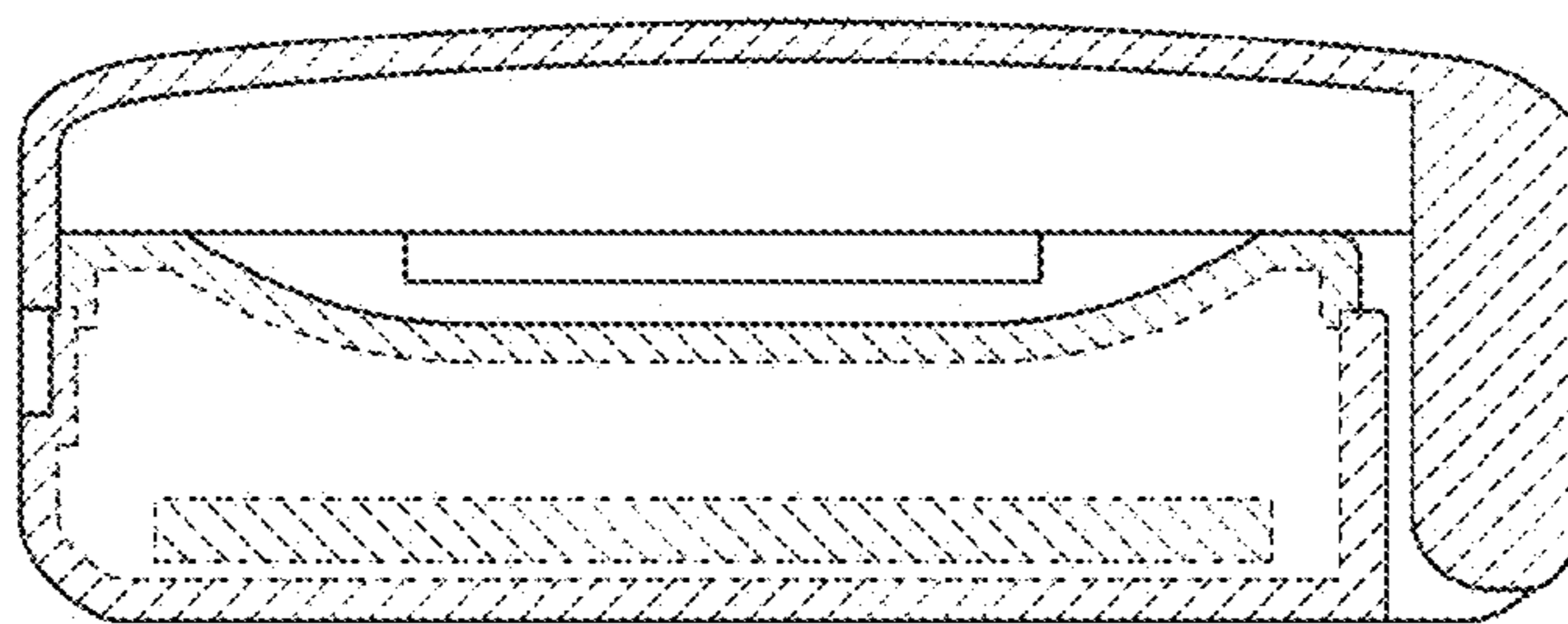


FIG. 8

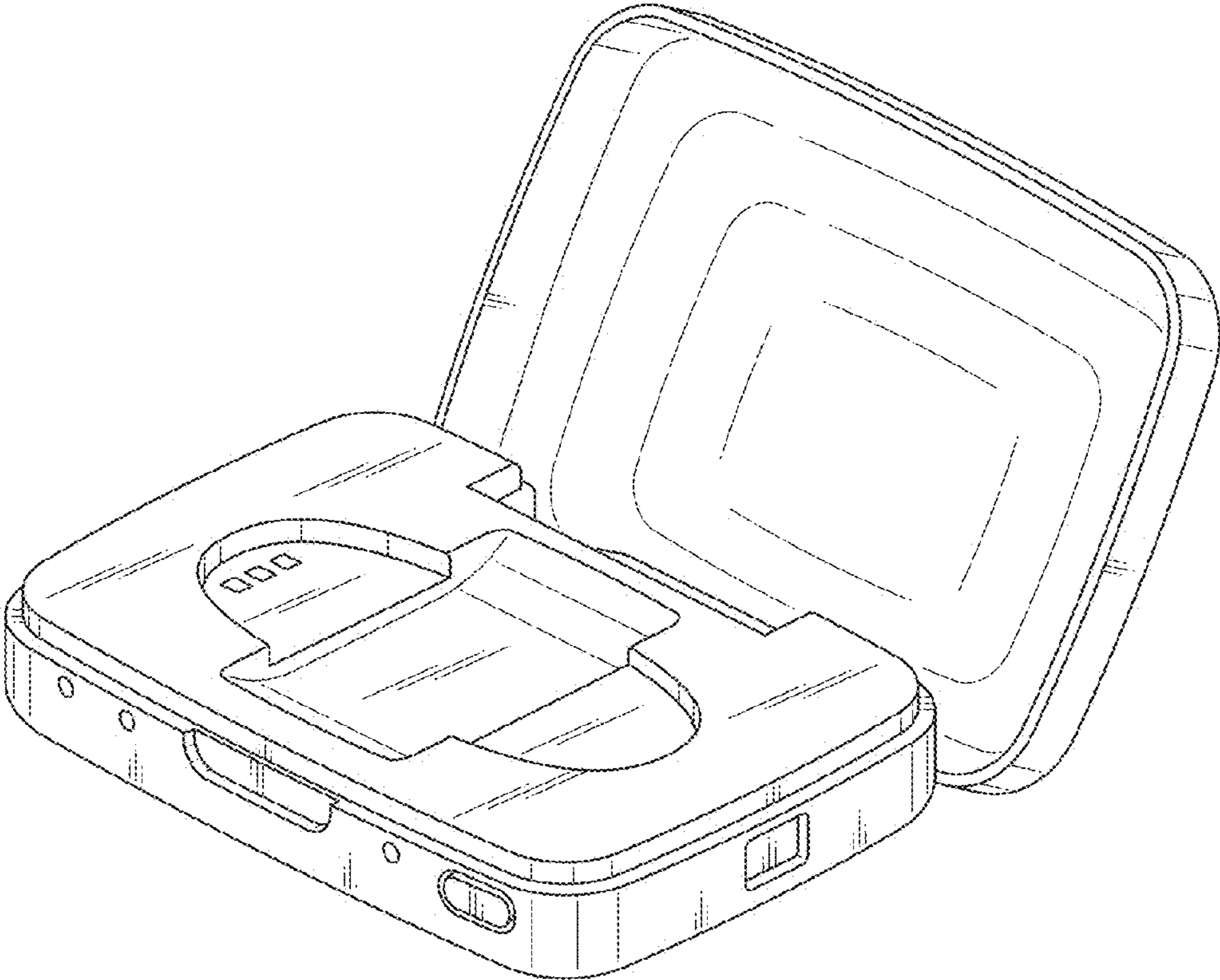


FIG. 9