



US00D740219S

(12) **United States Design Patent**
Raatikainen et al.

(10) **Patent No.:** **US D740,219 S**

(45) **Date of Patent:** **** Oct. 6, 2015**

(54) **TYRE LOGO ELEMENT**

(71) Applicants: **Jouni Raatikainen**, Lempäälä (FI);
Henri Kossi, Nokia (FI); **Niko Haanketo**, Nokia (FI)

(72) Inventors: **Jouni Raatikainen**, Lempäälä (FI);
Henri Kossi, Nokia (FI); **Niko Haanketo**, Nokia (FI)

(73) Assignee: **NOKIAN TYRES PLC**, Nokia (FI)

(**) Term: **14 Years**

(21) Appl. No.: **29/444,746**

(22) Filed: **Feb. 4, 2013**

(30) **Foreign Application Priority Data**

Aug. 28, 2012 (EM) 002093377
Aug. 28, 2012 (EM) 002093385

(51) **LOC (10) Cl.** **12-15**

(52) **U.S. Cl.**
USPC **D12/604**

(58) **Field of Classification Search**
USPC D12/605, 604; 152/209.1-209.28, 455,
152/523; 40/587
CPC B60C 1/00
See application file for complete search history.

(56) **References Cited**

U.S. PATENT DOCUMENTS

4,198,774 A * 4/1980 Roberts et al. 40/587
D543,932 S * 6/2007 Shondel D12/605

D547,261 S * 7/2007 Shondel et al. D12/605
D549,168 S * 8/2007 Shondel et al. D12/605
7,665,496 B2 * 2/2010 Sano 152/523
D614,123 S * 4/2010 Harvey D12/605
7,743,807 B2 * 6/2010 Palombo 152/209.1
2013/0160913 A1 * 6/2013 Lonkar et al. 152/523

* cited by examiner

Primary Examiner — George D Kirschbaum

(74) *Attorney, Agent, or Firm* — Klauber & Jackson LLC

(57) **CLAIM**

The ornamental design for a tyre logo element, as shown and described.

DESCRIPTION

FIG. 1 is an enlarged front view showing a tyre logo element of our new design in accordance with a first embodiment thereof, wherein the design is depicted without color;

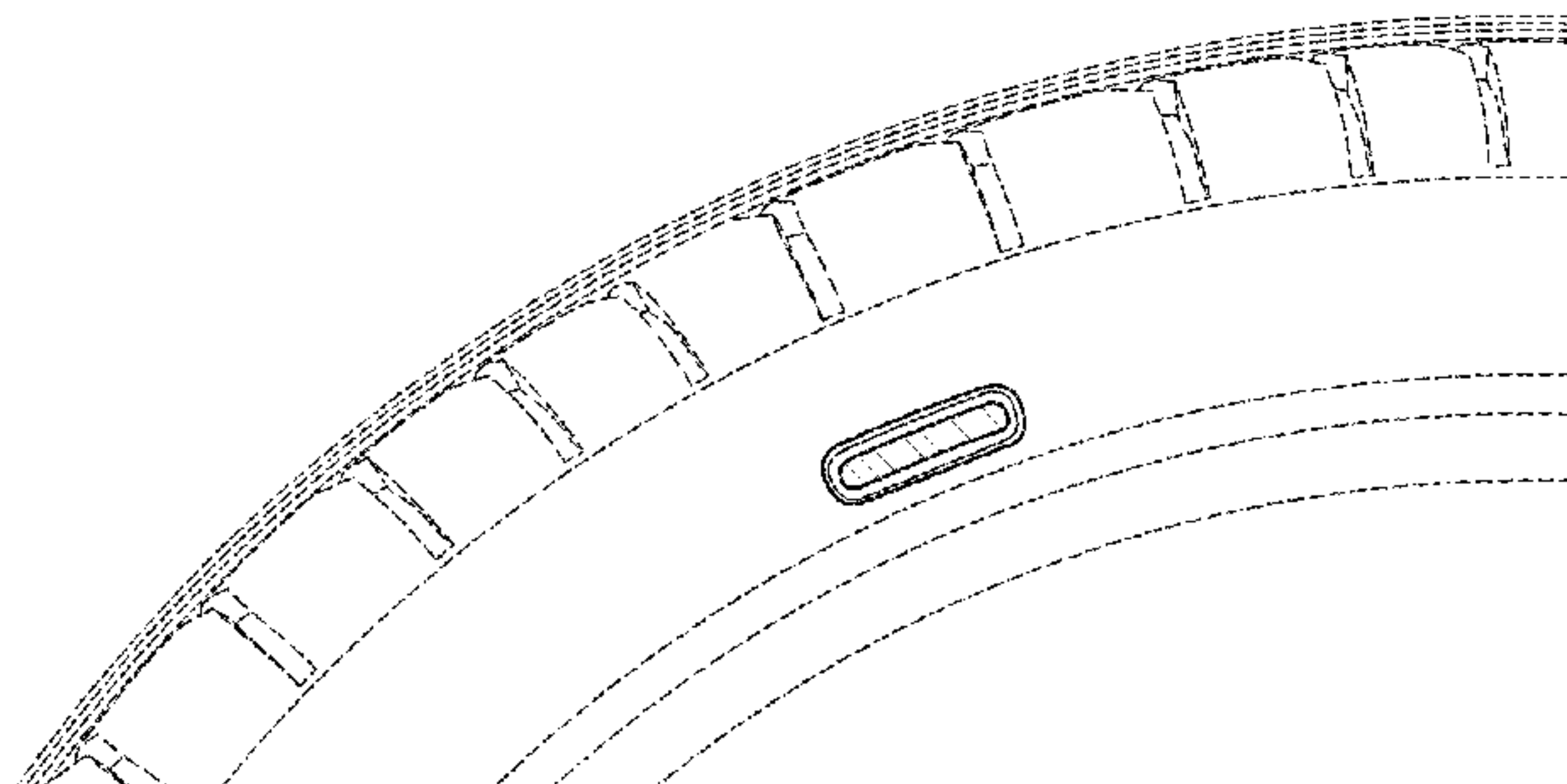
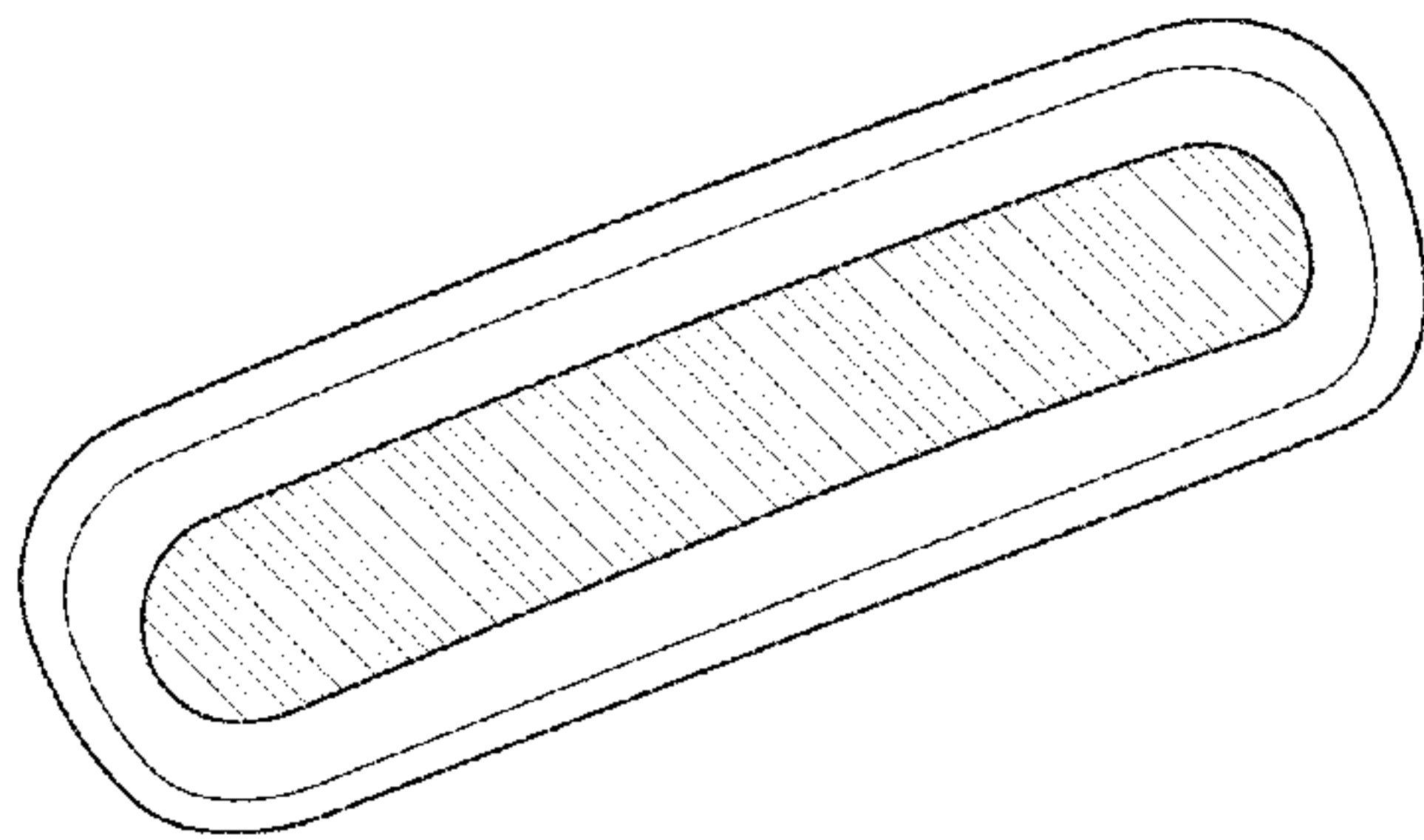
FIG. 2 is an enlarged front view similar to FIG. 1, showing the tyre logo element disposed on a fragmentary portion of a tire side wall;

FIG. 3 is an enlarged front view showing a tyre logo element of our new design in accordance with a second embodiment thereof, wherein the design is depicted with color; and,

FIG. 4 is an enlarged front view similar to FIG. 3, showing the tyre logo element disposed on a fragmentary portion of a tire side wall.

In the drawings, FIGS. 3 and 4 are lined for the color green. Also, the broken lines defining the tread, shoulder blocks and side wall depict environmental subject matter that forms no part of the claimed design.

1 Claim, 2 Drawing Sheets



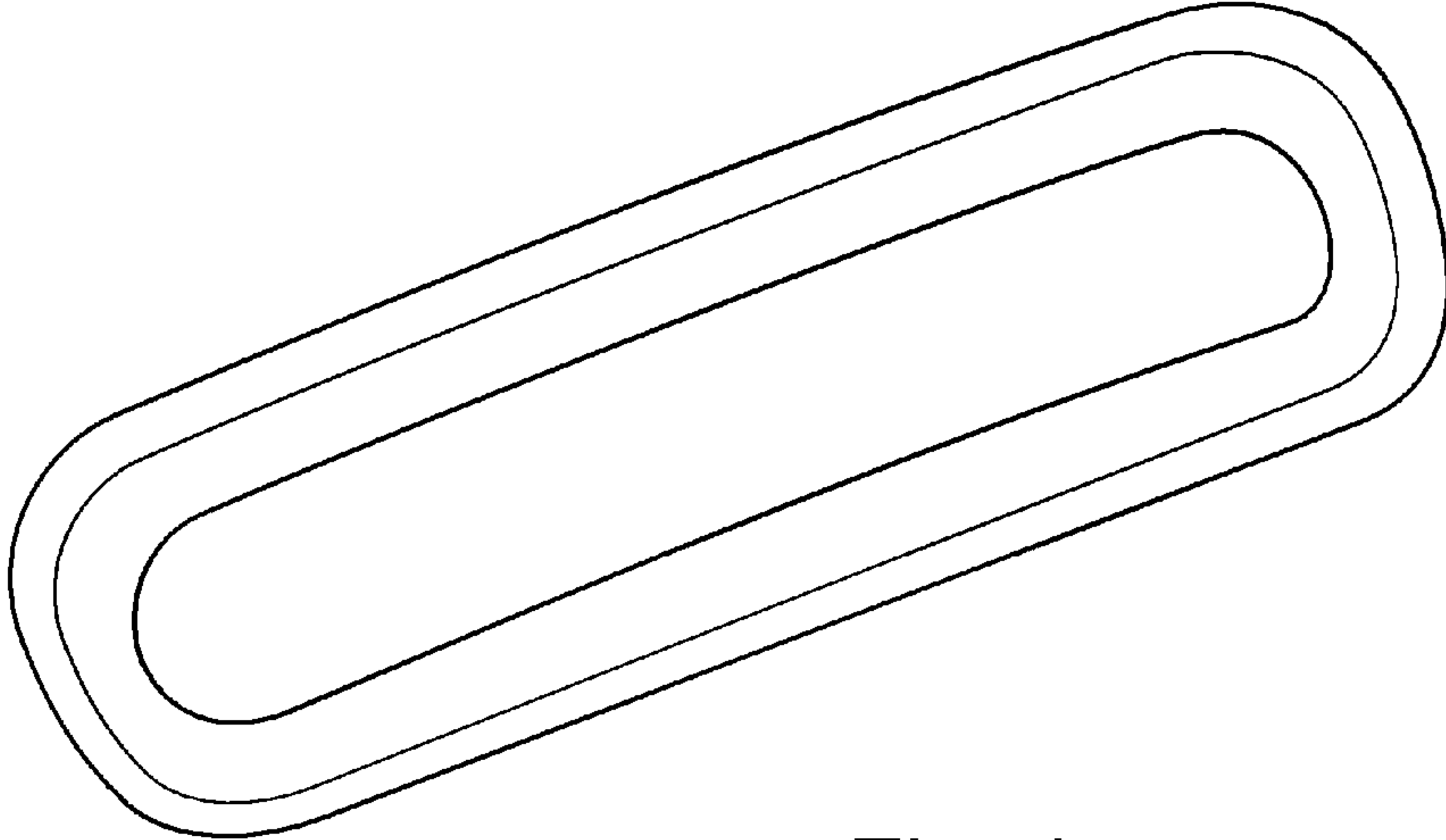


Fig. 1

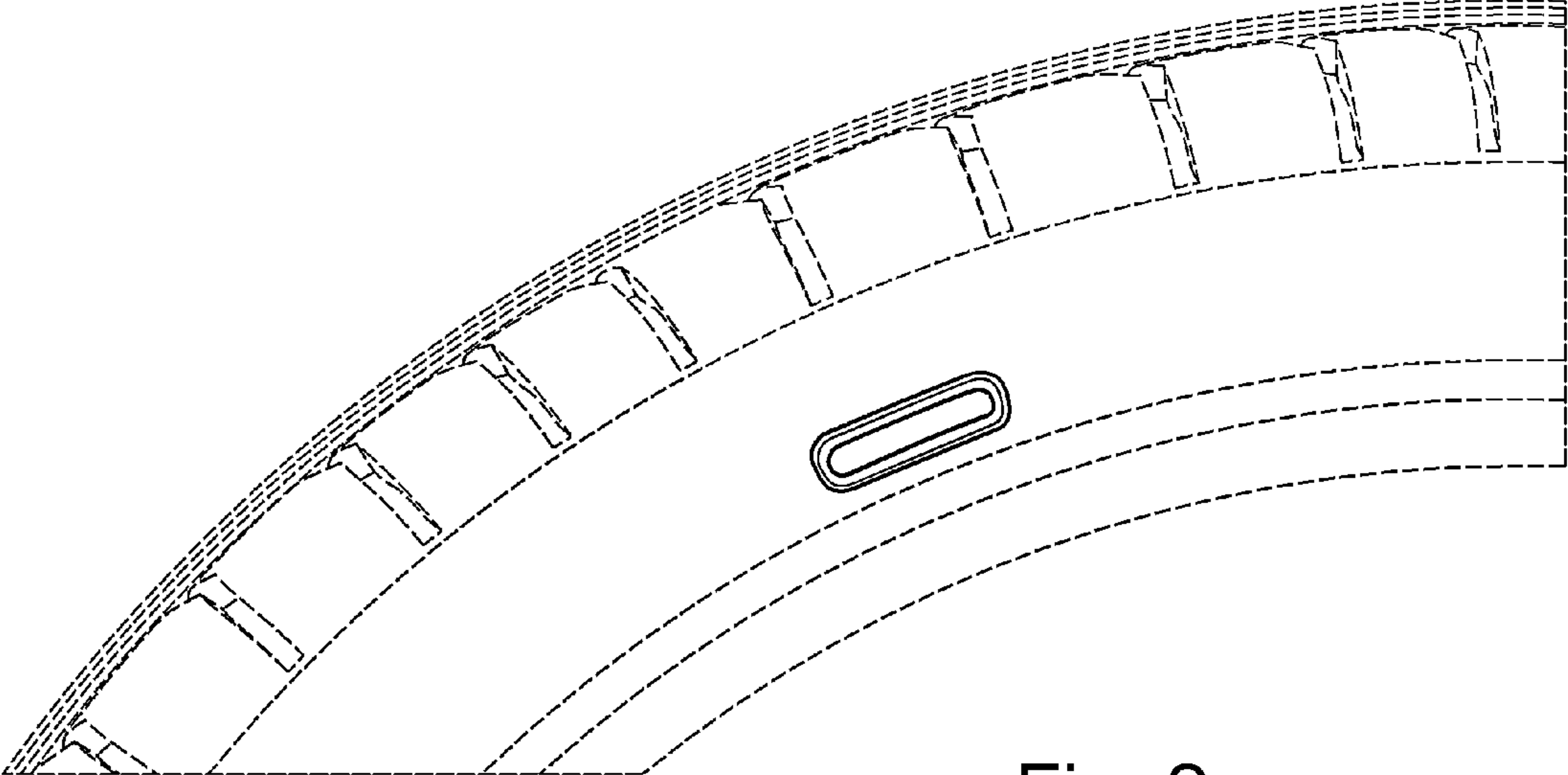


Fig. 2

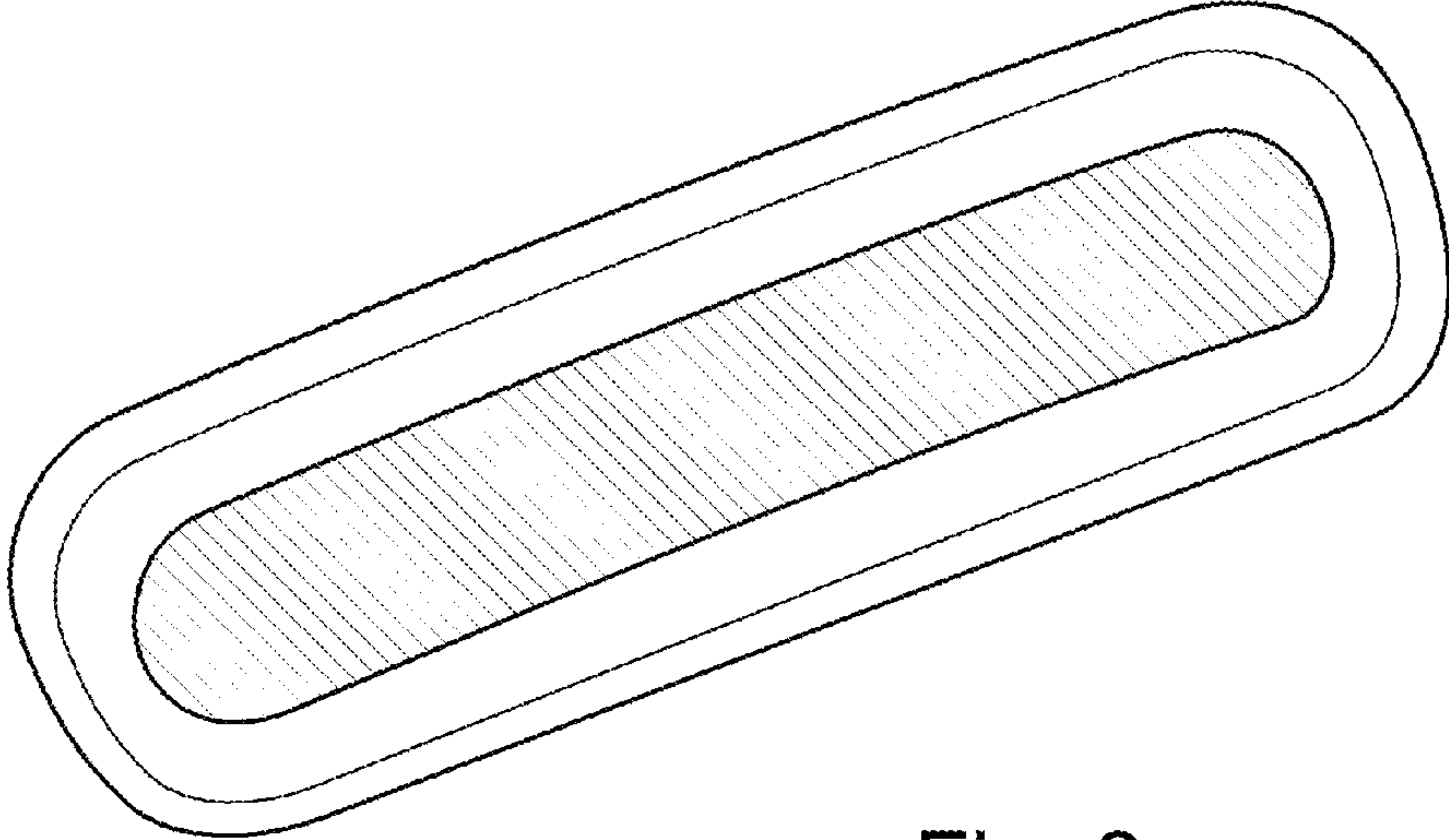


Fig. 3

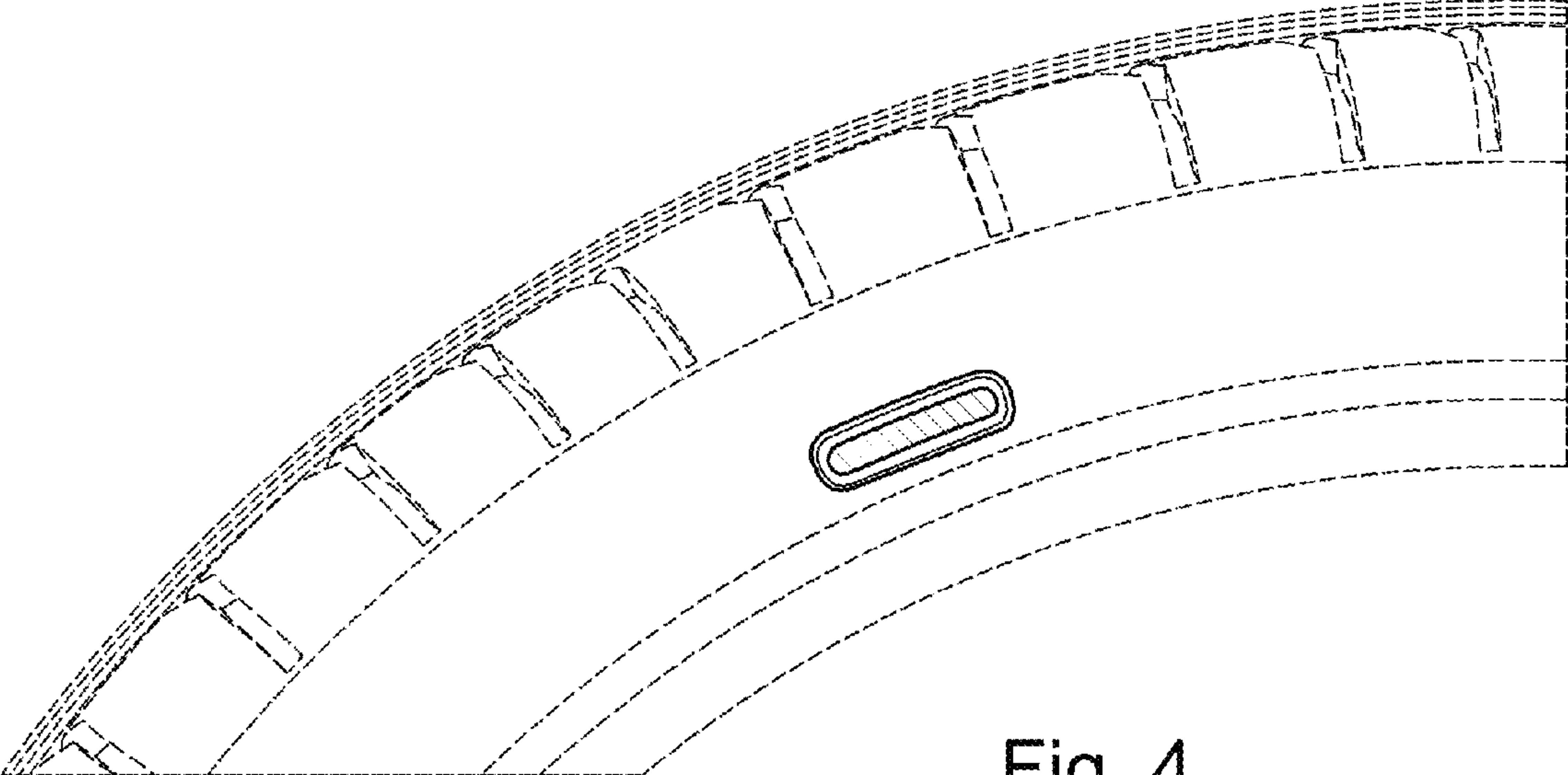


Fig. 4