



US00D740218S

(12) **United States Design Patent**
Raatikainen et al.

(10) **Patent No.:** **US D740,218 S**
(45) **Date of Patent:** **** Oct. 6, 2015**

(54) **TYRE BOLT TORQUE GUIDE**

(71) Applicants: **Jouni Raatikainen**, Lempäälä (FI);
Henri Kossi, Nokia (FI); **Niko Haanketo**, Nokia (FI)

(72) Inventors: **Jouni Raatikainen**, Lempäälä (FI);
Henri Kossi, Nokia (FI); **Niko Haanketo**, Nokia (FI)

(73) Assignee: **NOKIAN TYRES PLC**, Nokia (FI)

(**) Term: **14 Years**

(21) Appl. No.: **29/444,745**

(22) Filed: **Feb. 4, 2013**

(30) **Foreign Application Priority Data**

Aug. 28, 2012 (EM) 002093377

(51) **LOC (10) Cl.** **12-15**

(52) **U.S. Cl.**
USPC **D12/604**

(58) **Field of Classification Search**
USPC D12/605, 604; 152/209.1-209.28, 455,
152/523; 40/587

CPC B60C 1/00
See application file for complete search history.

(56) **References Cited**

U.S. PATENT DOCUMENTS

4,198,774 A *	4/1980	Roberts et al.	40/587
7,665,496 B2 *	2/2010	Sano	152/523
7,743,807 B2 *	6/2010	Palombo	152/209.1
2013/0160913 A1 *	6/2013	Lonkar et al.	152/523

* cited by examiner

Primary Examiner — George D Kirschbaum

(74) *Attorney, Agent, or Firm* — Klauber & Jackson LLC

(57) **CLAIM**

The ornamental design for a tyre bolt torque guide, as shown and described.

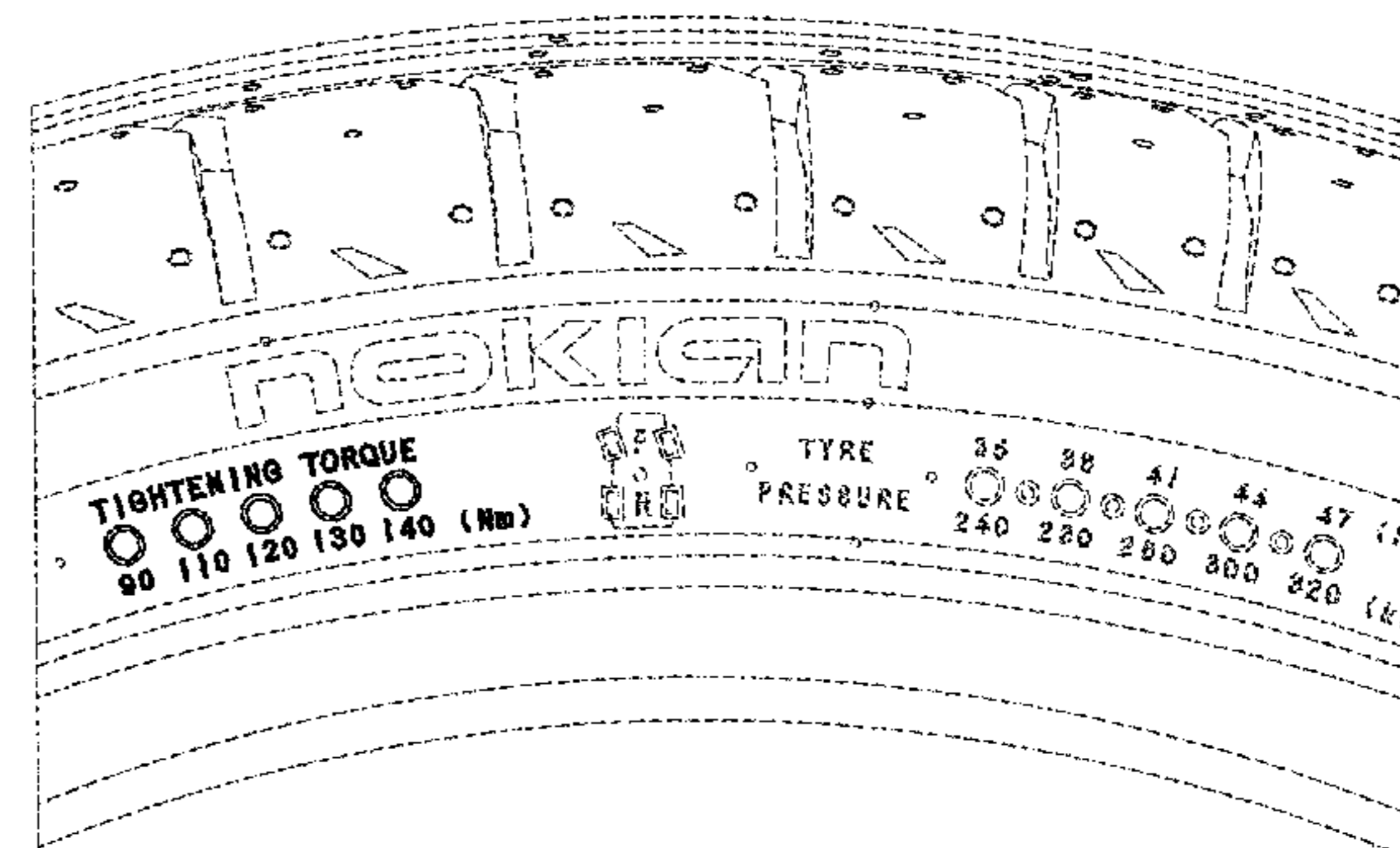
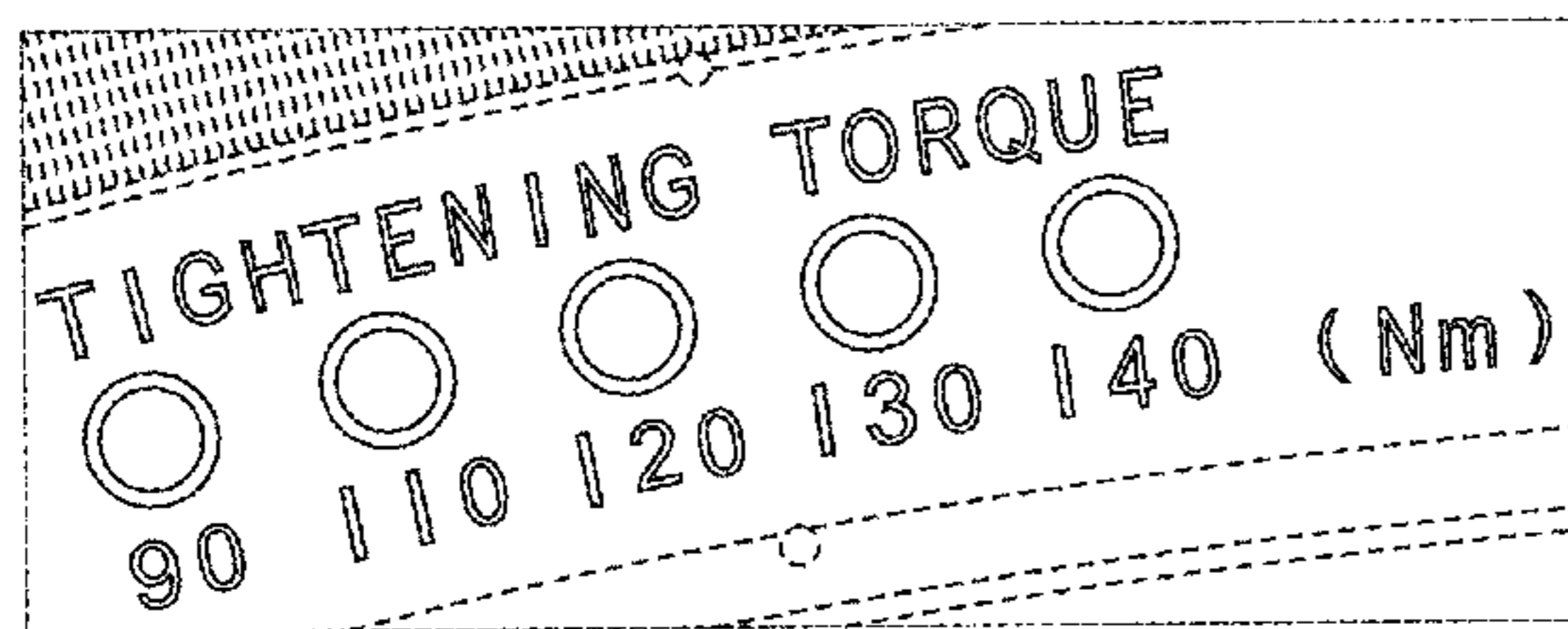
DESCRIPTION

FIG. 1 is an enlarged view showing the tyre bolt torque guide of our new design; and,

FIG. 2 is an enlarged fragmentary side view of a tire showing the tyre bolt torque guide of FIG. 1.

In the drawings, the broken lines defining the side wall, inner bead and the peripheral boundary between the claimed tyre bolt torque guide and the unclaimed sidewall depict environmental subject matter that forms no part of the claimed design.

1 Claim, 1 Drawing Sheet



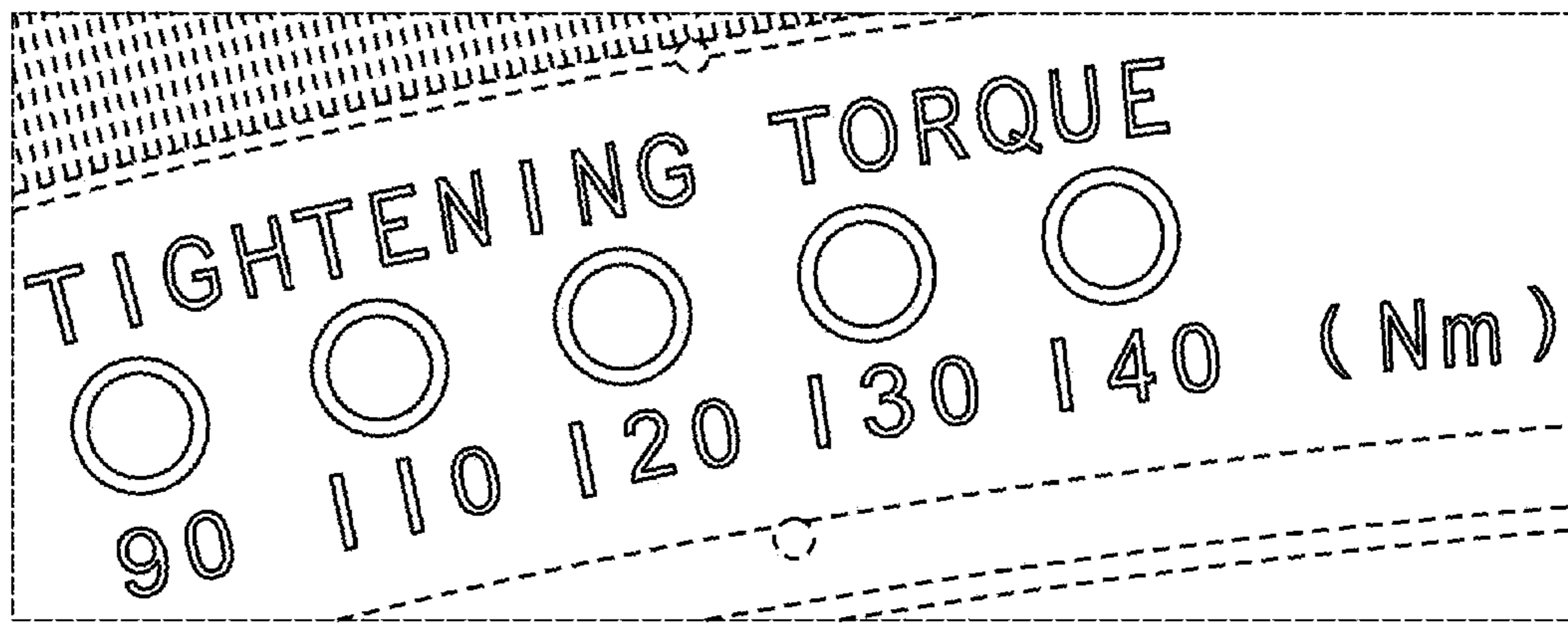


Fig. 1

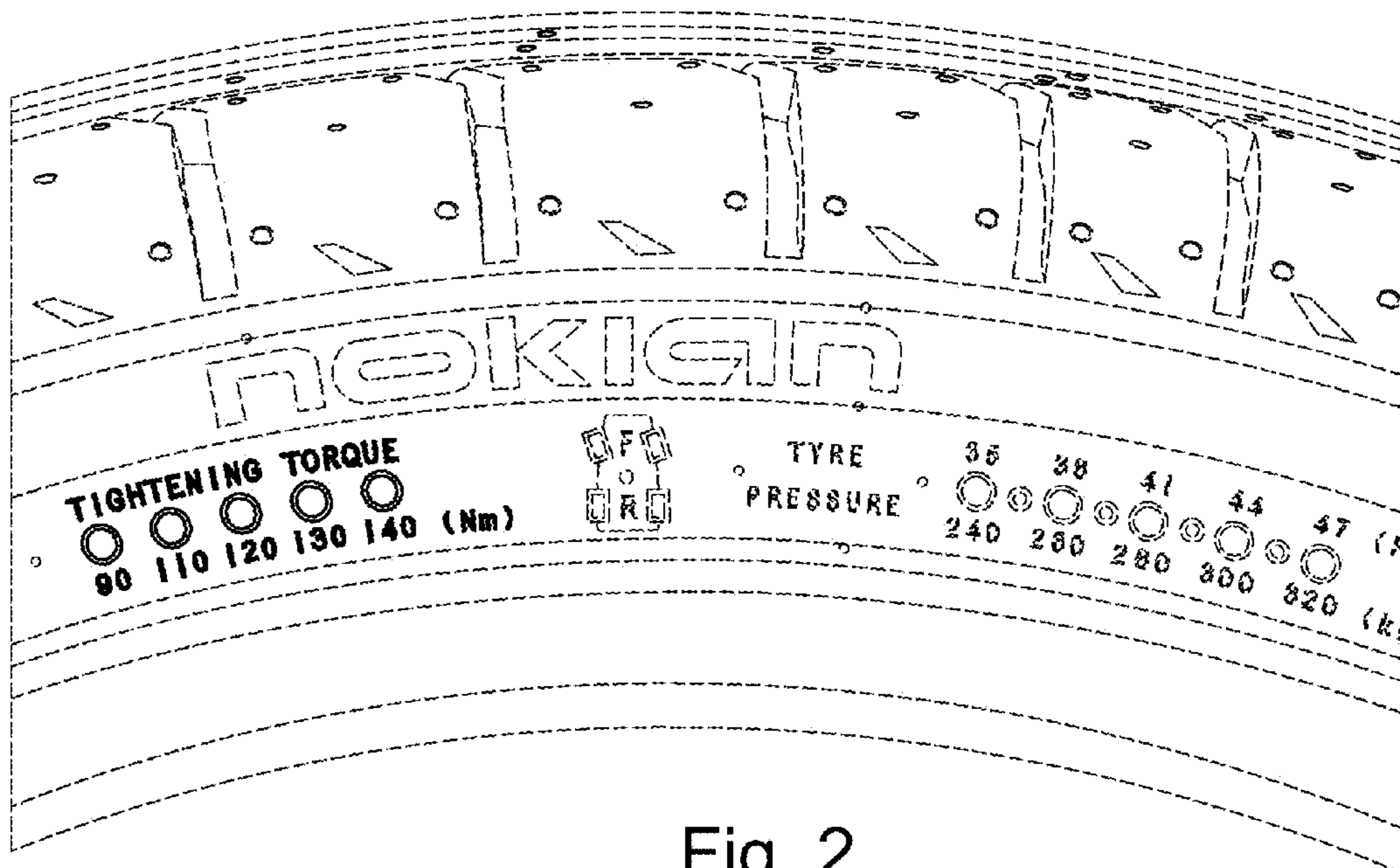


Fig. 2