



US00D740217S

(12) **United States Design Patent**
Wang

(10) **Patent No.:** **US D740,217 S**

(45) **Date of Patent:** **** Oct. 6, 2015**

(54) **TIRE TREAD**

(71) Applicant: **FORTUNE GOLD ENTERPRISES LTD, Mahe (SC)**

(72) Inventor: **Feng Wang, Shandong (CN)**

(73) Assignee: **FORTUNE GOLD ENTERPRISES LTD., Mahe (SC)**

(**) Term: **14 Years**

(21) Appl. No.: **29/478,115**

(22) Filed: **Dec. 31, 2013**

(51) **LOC (10) Cl.** **12-15**

(52) **U.S. Cl.**
USPC **D12/603**

(58) **Field of Classification Search**
USPC D12/568-603; 152/209.1-209.28
CPC .. B60C 11/033; B60C 11/13; B60C 11/1315;
B60C 13/02

See application file for complete search history.

(56) **References Cited**

U.S. PATENT DOCUMENTS

- D444,429 S * 7/2001 Vinesse D12/603
- D455,395 S * 4/2002 Blankenship et al. D12/603
- D483,322 S * 12/2003 Knowles et al. D12/601

- D498,206 S * 11/2004 Cazin-Bourguignon
et al. D12/588
- D637,144 S * 5/2011 Shinohara D12/588
- D724,010 S * 3/2015 Lim et al. D12/584

* cited by examiner

Primary Examiner — George D Kirschbaum

Assistant Examiner — Jennifer Watkins

(74) *Attorney, Agent, or Firm* — Vidas, Arrett & Steinkraus

(57) **CLAIM**

The ornamental design for a tire tread, as shown and described.

DESCRIPTION

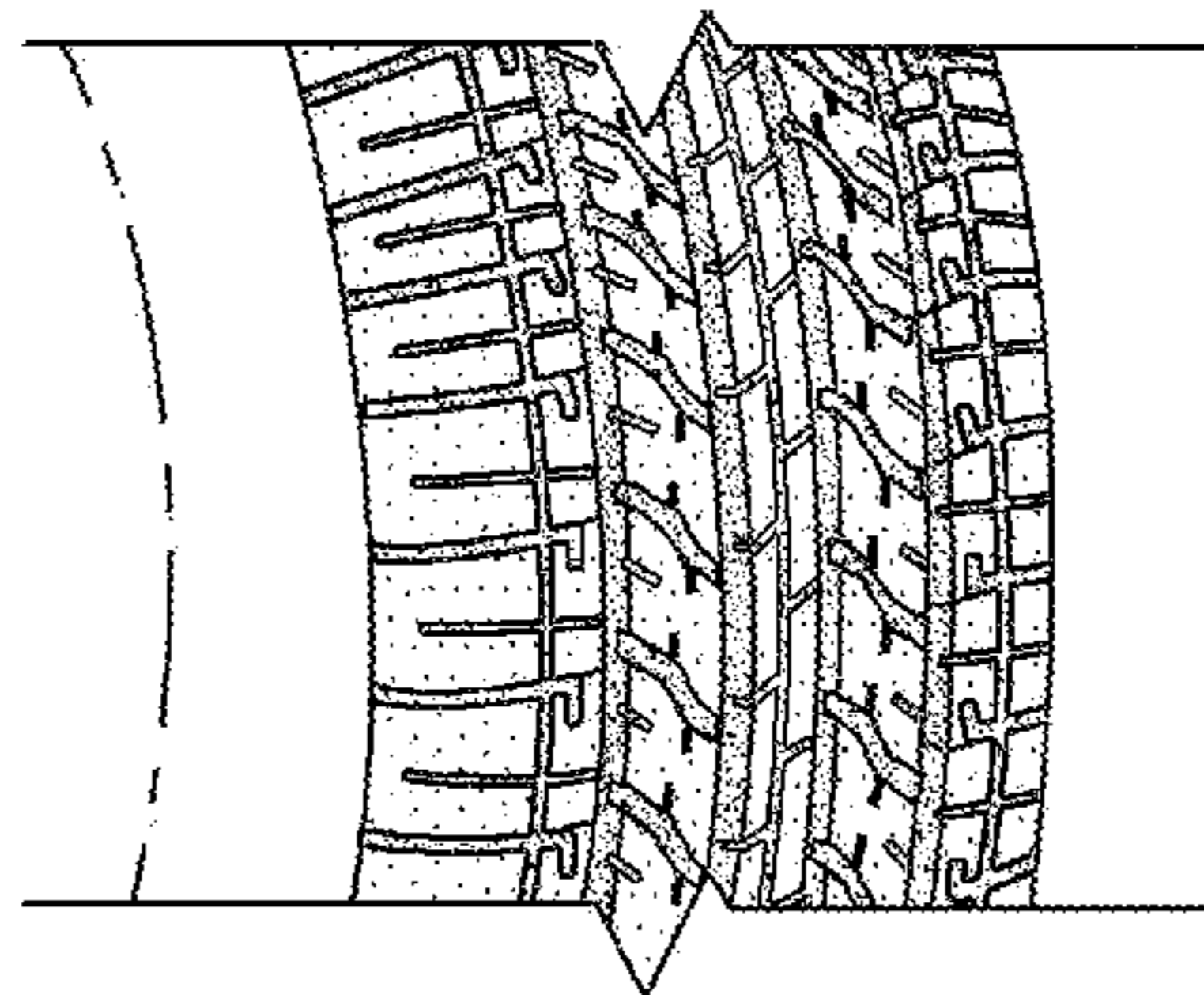
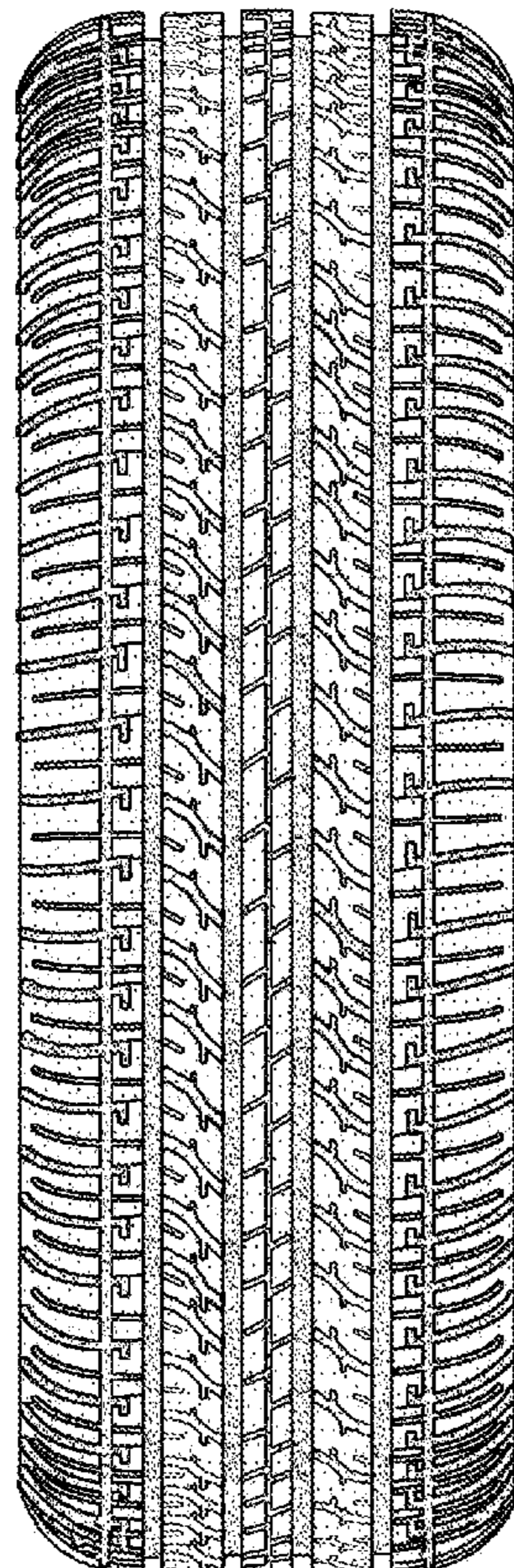
FIG. 1 is a front elevational view of the tire tread, it being understood that the tread pattern is repeated throughout the circumference of the tire tread, the opposite side being the same as that shown.

FIG. 2 is a front angled perspective view of the tire tread, it being understood that the tread pattern is repeated throughout the circumference of the tire tread; and,

FIG. 3 is a side elevational view of the right side of the tire tread, the opposite side being identical thereto.

The broken lines showing the peripheral boundary and the inner bead are for the purpose of illustrating the boundary of the claim and form no part of the claimed design.

1 Claim, 2 Drawing Sheets



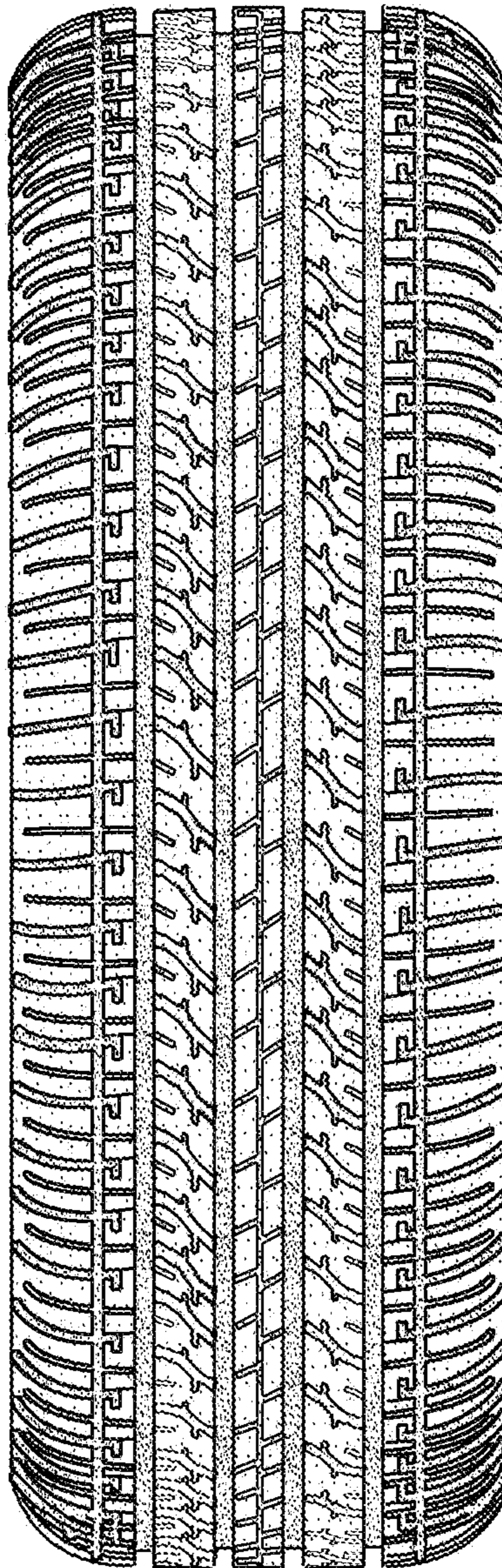


Fig. 1

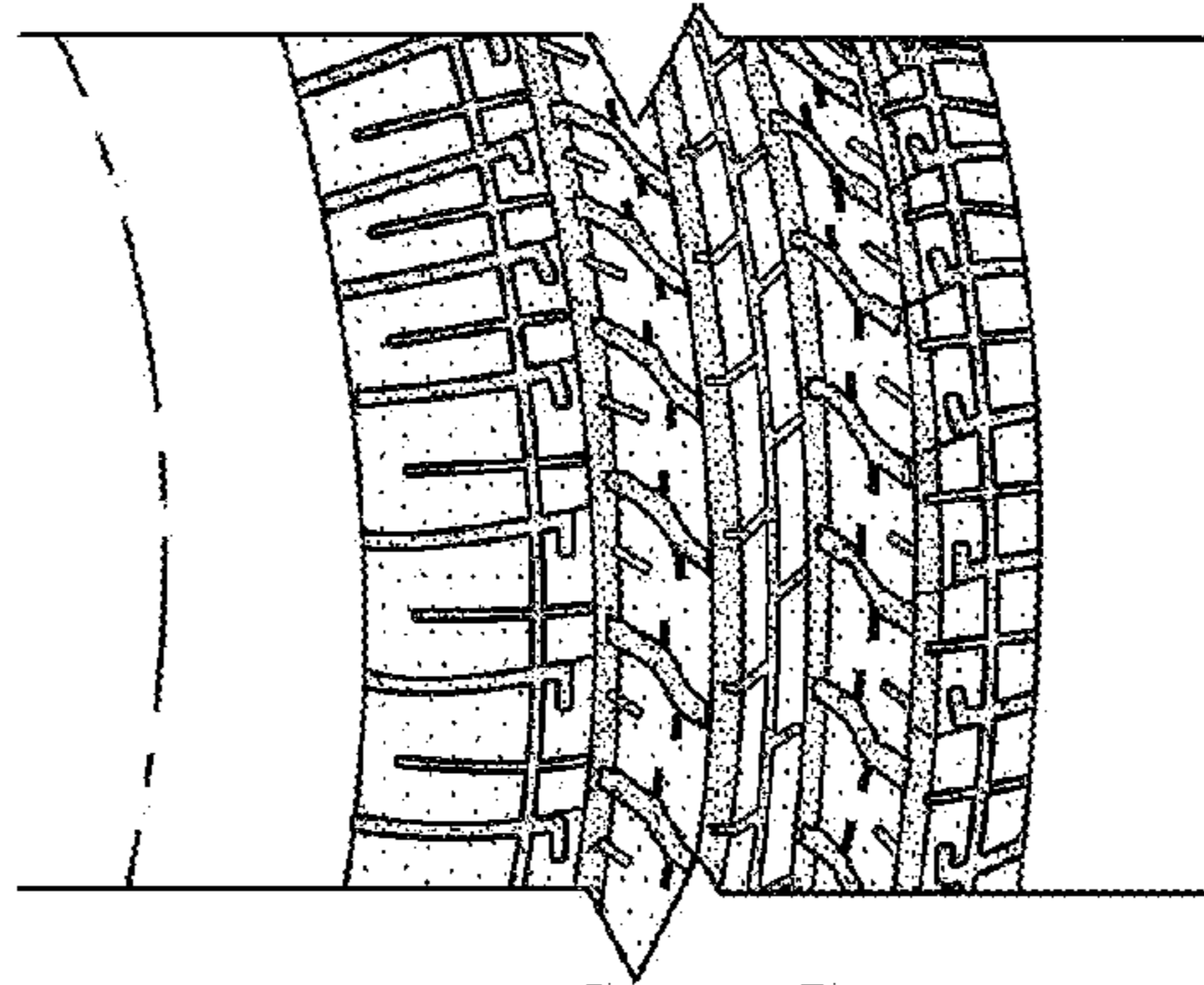


Fig. 2

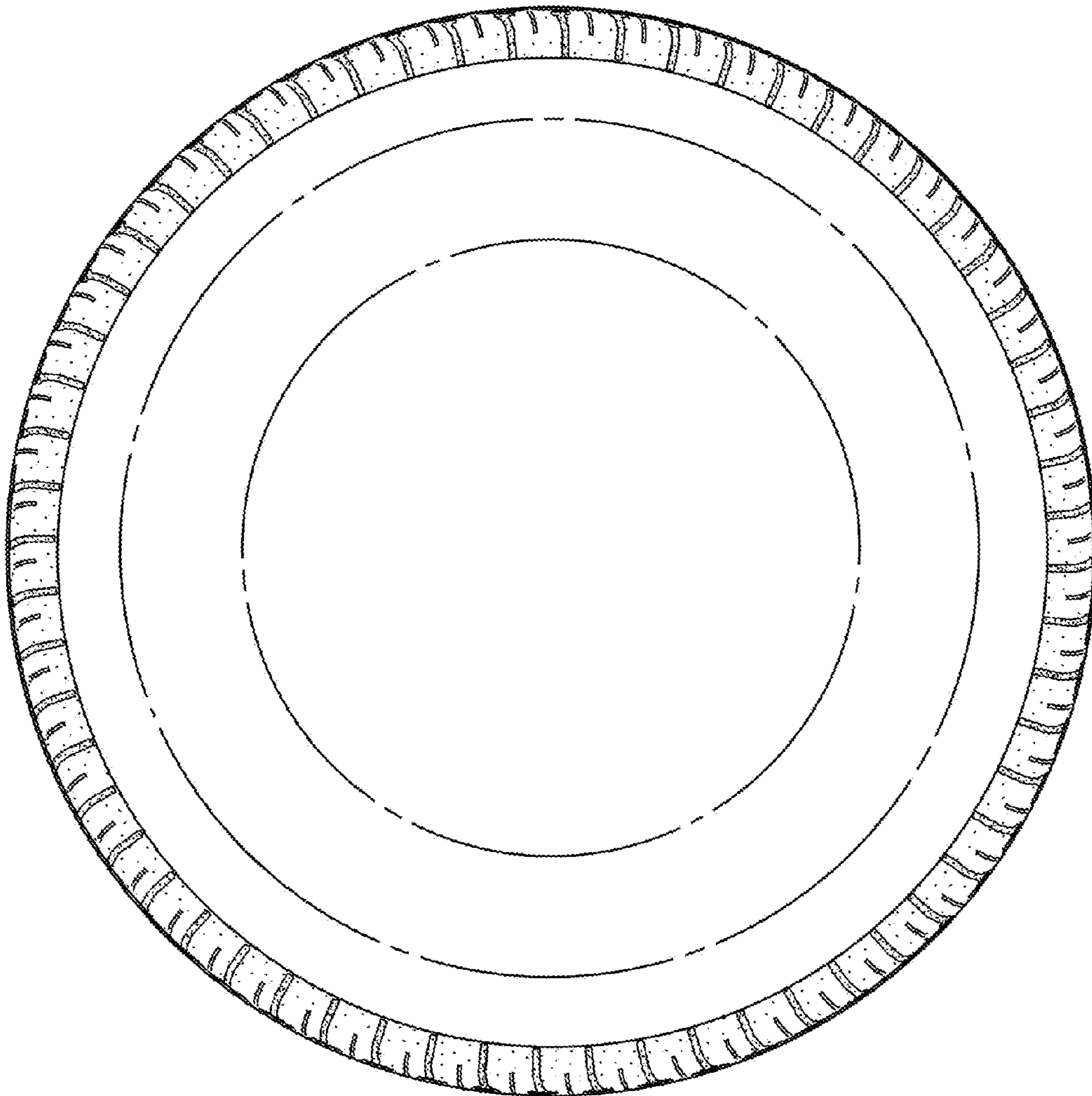


Fig. 3