



US00D740216S

(12) **United States Design Patent**  
**Parr**

(10) **Patent No.:** **US D740,216 S**  
(45) **Date of Patent:** **\*\* Oct. 6, 2015**

- (54) **TIRE TREAD PORTION**
- (71) Applicant: **Bridgestone Americas Tire Operations, LLC, Nashville, TN (US)**
- (72) Inventor: **Richard S. Parr, Canton, OH (US)**
- (73) Assignee: **Bridgestone Americas Tire Operations, LLC, Nashville, TN (US)**
- (\*\*) Term: **14 Years**
- (21) Appl. No.: **29/469,316**
- (22) Filed: **Oct. 9, 2013**
- (51) **LOC (10) Cl.** ..... **12-15**
- (52) **U.S. Cl.**  
USPC ..... **D12/602; D12/582**
- (58) **Field of Classification Search**  
USPC ..... **D12/502, 505-603; 152/209.1-209.28**  
CPC . **Y10S 152/03; Y10S 152/901; Y10S 152/01;**  
**Y10S 152/90; B60C 11/0306; B60C 11/042;**  
**B60C 11/12; B60C 11/0309; B60C 2011/0388**  
See application file for complete search history.

- D405,731 S 2/1999 Custons, Jr. et al.
- D409,532 S 5/1999 Heinen
- D411,151 S 6/1999 Hubbell, Jr.
- D411,491 S 6/1999 Harden, Jr. et al.
- D411,819 S 7/1999 Blankenship et al.
- D414,449 S 9/1999 Schuster
- D415,450 S 10/1999 Williams
- D415,451 S 10/1999 Weber et al.
- D418,783 S 1/2000 Lissan et al.
- D421,583 S 3/2000 Kemp, Jr.
- D421,942 S 3/2000 Fierro et al.
- D421,943 S 3/2000 Fierro et al.
- D422,246 S 4/2000 Fierro et al.
- D422,950 S 4/2000 Williams
- D423,423 S 4/2000 Guspodin et al.
- D426,502 S 6/2000 O'neill et al.
- D426,795 S 6/2000 Oliver
- D428,368 S 7/2000 Harris et al.
- D430,082 S 8/2000 Blankenship et al.
- 6,102,092 A 8/2000 Radulescu

(Continued)

*Primary Examiner* — George D Kirschbaum

*Assistant Examiner* — Jennifer Watkins

(74) *Attorney, Agent, or Firm* — Shaun J. Fox

(57) **CLAIM**

The ornamental design for a tire tread portion, as shown and described.

**DESCRIPTION**

FIG. 1 is a side perspective view of a tire tread portion showing our new design, it being understood that the tread portion is repeated throughout the circumference of the tire tread, the opposite side being the same as that shown;

FIG. 2 is a front elevational view thereof, the opposite side being identical thereto; and,

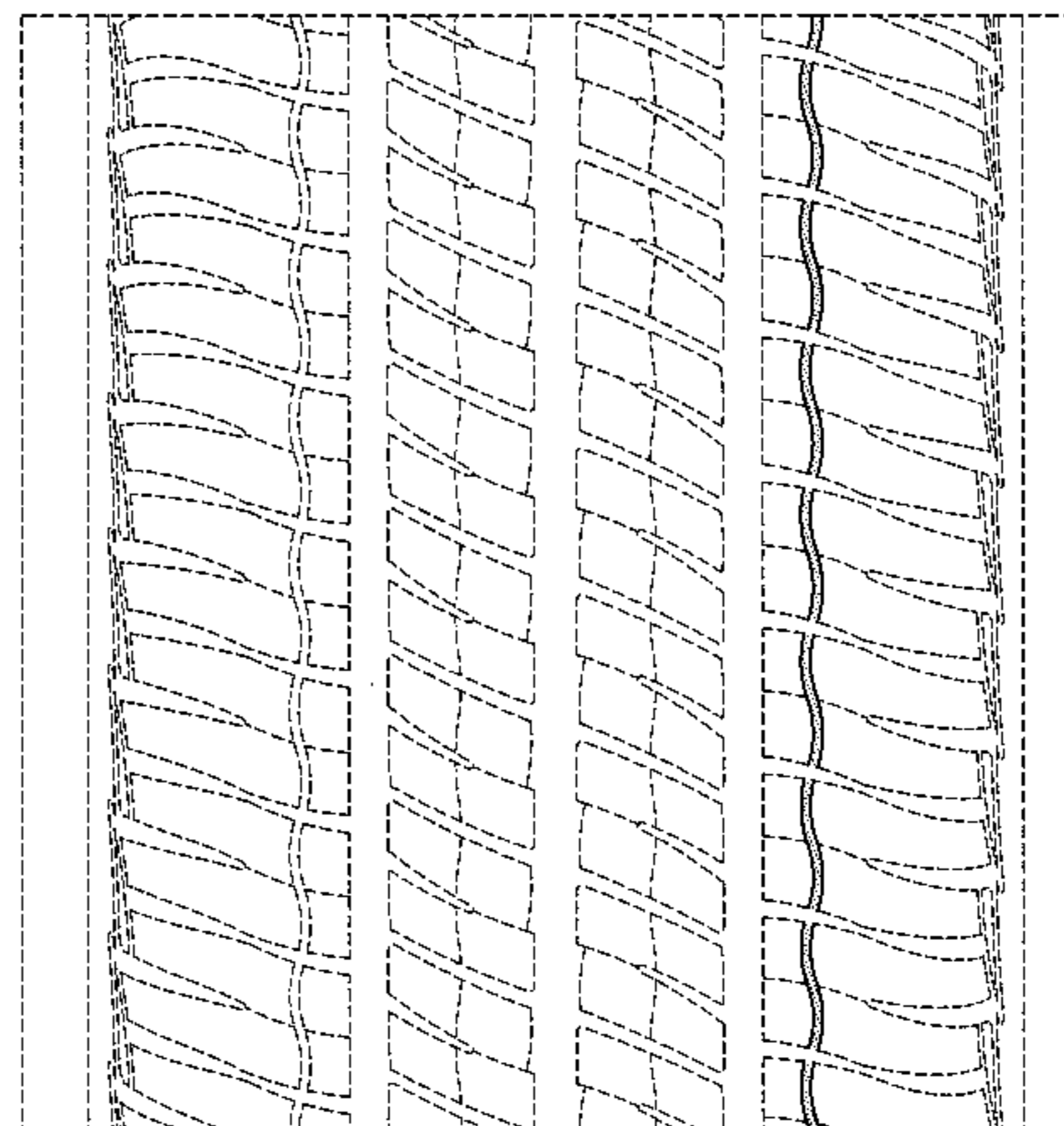
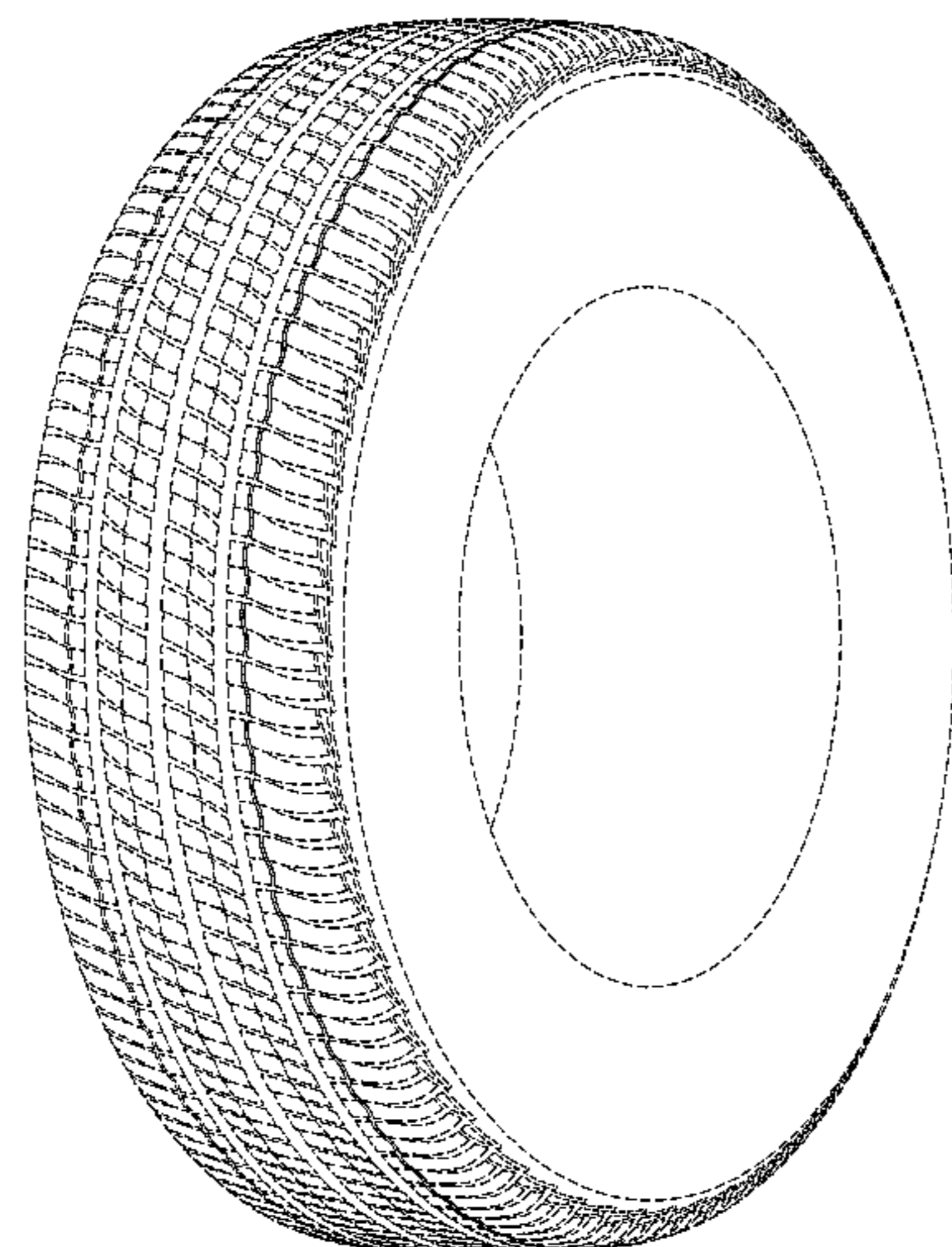
FIG. 3 is an enlarged front elevational view thereof.

The broken lines defining the sidewall, inner bead, and the tread pattern depict environmental subject matter that forms no part of the claimed design.

**1 Claim, 3 Drawing Sheets**

(56) **References Cited**  
U.S. PATENT DOCUMENTS

- D390,517 S 2/1998 Guspodin et al.
- D390,559 S 2/1998 Guspodin et al.
- D390,820 S 2/1998 Guspodin et al.
- D392,605 S 3/1998 Le et al.
- D394,030 S 5/1998 Lissan et al.
- 5,753,058 A 5/1998 Fukumoto et al.
- D397,653 S 9/1998 Heinen
- D397,654 S 9/1998 Heinen
- D398,890 S 9/1998 Harpes et al.
- D400,135 S 10/1998 Blankenship et al.
- D400,831 S 11/1998 Blankenship et al.
- D402,240 S 12/1998 Hubbell, Jr.
- D402,935 S 12/1998 Oliver
- D402,937 S 12/1998 Robert
- D403,627 S 1/1999 Graas



(56)

References Cited

U.S. PATENT DOCUMENTS

6,116,309 A	9/2000	Gillard et al.	7,114,540 B2	10/2006	Miyazaki	
D432,959 S	10/2000	Lopez	D534,116 S *	12/2006	Dumigan et al. ....	D12/583
6,142,200 A	11/2000	Feider et al.	D535,940 S	1/2007	Lee et al.	
D437,264 S	2/2001	Lassan et al.	D537,406 S	2/2007	Reim	
D445,369 S	7/2001	Dumigan et al.	7,207,364 B2	4/2007	Hildebrand	
D445,370 S	7/2001	Allison	D554,054 S	10/2007	Welbes et al.	
D445,371 S	7/2001	Allison	D560,600 S	1/2008	Dixon et al.	
D445,377 S	7/2001	Fantanzo et al.	D563,861 S	3/2008	Foucher	
D445,378 S	7/2001	Regallis et al.	D564,957 S	3/2008	Yoshida et al.	
D445,380 S	7/2001	Fantanzo et al.	D566,040 S	4/2008	Diensthuber et al.	
D445,731 S	7/2001	Fantanzo et al.	D579,865 S	11/2008	Matsuyama et al.	
D446,172 S	8/2001	Regallis	D580,848 S	11/2008	Hutz	
6,286,573 B1	9/2001	Hine	D583,309 S	12/2008	Licht et al.	
D450,270 S	11/2001	Baker	D584,213 S	1/2009	Shinkai	
D451,453 S *	12/2001	Maxwell et al. ....	D584,680 S	1/2009	Hutz	
D451,865 S	12/2001	Clark et al.	D593,936 S	6/2009	Maxwell	
D452,199 S	12/2001	Robert et al.	D593,937 S	6/2009	Maxwell et al.	
D454,330 S	3/2002	Galante et al.	D595,220 S	6/2009	Maxwell	
D454,331 S	3/2002	Fierro et al.	D597,023 S	7/2009	Park	
D455,120 S	4/2002	Dixon et al.	D600,634 S	9/2009	Takatsuki	
D455,394 S	4/2002	Lassan et al.	D601,084 S *	9/2009	Park et al. ....	D12/588
D455,709 S	4/2002	Dixon et al.	D601,951 S	10/2009	Haga	
D455,710 S	4/2002	Oliver	7,597,127 B2 *	10/2009	Mathews ....	152/209.18
D456,000 S	4/2002	Graas	D604,231 S	11/2009	Hada	
D456,343 S	4/2002	Allison	D605,580 S	12/2009	Williams	
D456,346 S	4/2002	Galante et al.	D605,581 S	12/2009	Yamaguchi et al.	
D456,769 S	5/2002	Dixon et al.	D606,011 S	12/2009	Ohara	
D458,213 S	6/2002	Guspodin	D606,930 S	12/2009	Taylor et al.	
D458,582 S	6/2002	Rodicq et al.	D608,725 S	1/2010	Ohara	
D459,291 S	6/2002	Ratliff, Jr. et al.	D609,165 S	2/2010	Fujioka	
D459,696 S	7/2002	Robert et al.	D609,171 S	2/2010	Yonetsu	
D460,406 S	7/2002	Guspodin	D609,175 S	2/2010	Feider et al.	
D460,408 S *	7/2002	Godin ....	D610,970 S	3/2010	You	
D461,765 S	8/2002	Nonaka	D612,327 S	3/2010	Yonetsu	
D462,314 S	9/2002	Regallis et al.	D613,238 S	4/2010	Harvey et al.	
D462,315 S	9/2002	Van Fossen et al.	D613,240 S	4/2010	Mukai	
D464,025 S	10/2002	Okano	D613,679 S	4/2010	Umstot et al.	
6,488,064 B1 *	12/2002	Radulescu ....	D614,120 S	4/2010	Marella et al.	
D469,396 S	1/2003	Hutson et al.	D615,026 S	5/2010	Nakano	
D472,204 S	3/2003	Kemp, Jr. et al.	D615,480 S	5/2010	Jacobs	
D472,206 S	3/2003	Endo et al.	D615,482 S	5/2010	Nakano	
D472,517 S	4/2003	Hutz et al.	D619,529 S	7/2010	Georges et al.	
D473,185 S	4/2003	Elkurd et al.	D619,958 S	7/2010	Maxwell	
D473,513 S	4/2003	Welbes	D621,779 S	8/2010	Yonetsu	
D473,514 S	4/2003	Hitzky et al.	D624,009 S	9/2010	Vandaele et al.	
D473,843 S	4/2003	Le et al.	D624,871 S	10/2010	Behr	
D475,344 S	6/2003	Tsubono	D626,910 S	11/2010	Bott et al.	
D480,042 S	9/2003	Brayer et al.	D627,711 S	11/2010	Grote	
D480,351 S	10/2003	Dixon et al.	7,836,926 B2	11/2010	Suzuki	
D480,352 S	10/2003	Dixon et al.	D628,957 S	12/2010	Youn	
D481,353 S	10/2003	Oliver et al.	D629,739 S	12/2010	Youn	
D481,992 S	11/2003	Harden, Jr. et al.	D630,998 S	1/2011	Schmalix et al.	
D483,006 S	12/2003	Brayer et al.	7,878,228 B2	2/2011	Ito	
D483,007 S	12/2003	Brayer et al.	D633,433 S	3/2011	Sieber et al.	
D484,091 S	12/2003	Okamoto	D634,261 S	3/2011	Schmalix et al.	
D485,231 S	1/2004	Nonaka	D637,145 S	5/2011	Lippert et al.	
D487,249 S	3/2004	Okamoto	D637,148 S	5/2011	Tamura	
D488,123 S	4/2004	Ooayama	D637,149 S	5/2011	Yamaguchi	
D488,432 S *	4/2004	Aull et al. ....	D637,150 S	5/2011	Koshio	
6,715,522 B1	4/2004	Wada	D637,546 S	5/2011	Yonetsu	
D497,875 S	11/2004	Le et al.	D638,781 S	5/2011	Osaka	
D498,457 S	11/2004	Fukunaga	D638,782 S	5/2011	Osaka	
D498,458 S	11/2004	Lee et al.	D639,722 S	6/2011	Sieber et al.	
D499,693 S	12/2004	Williams	D640,625 S	6/2011	Nobunaga	
D499,694 S	12/2004	Osaki et al.	D641,308 S	7/2011	Kojima	
D500,010 S	12/2004	Maziarka et al.	D641,309 S	7/2011	Takada	
D500,011 S	12/2004	Fukunaga	D641,310 S	7/2011	Larregain	
6,868,879 B2	3/2005	Radulescu	7,980,280 B2	7/2011	Ohara	
D505,387 S	5/2005	Nonaka	D642,975 S	8/2011	Givens et al.	
D512,683 S	12/2005	Dumigan et al.	D643,800 S	8/2011	Riswanda	
D513,402 S	1/2006	Shirouzu	D643,803 S	8/2011	Riswanda	
D517,470 S	3/2006	Welbes	D643,804 S	8/2011	Dixon et al.	
D524,721 S	7/2006	Dumigan et al.	8,006,730 B2	8/2011	Ohara	
D531,111 S	10/2006	Fukunaga	D644,592 S	9/2011	Grabo et al.	
D531,112 S	10/2006	Williams	D644,598 S	9/2011	Yokomakura	
			D646,217 S	10/2011	Muto	
			D646,626 S	10/2011	Murata	
			D647,037 S	10/2011	Lo	
			D647,454 S	10/2011	Fabing et al.	

(56)

References Cited

U.S. PATENT DOCUMENTS

D647,456 S	10/2011	Behr	D666,967 S	9/2012	Sareen
D647,465 S	10/2011	Iwasaki	D667,359 S	9/2012	Ishida et al.
D648,265 S	11/2011	Kim et al.	D667,360 S	9/2012	Ishida et al.
D648,667 S	11/2011	Yonetsu	D667,779 S	9/2012	Murphy et al.
D648,671 S	11/2011	Nobunaga	D668,209 S	10/2012	De Benedittis et al.
D649,509 S	11/2011	Allison et al.	D669,024 S	10/2012	Oji
8,047,243 B2	11/2011	Simon et al.	D669,421 S *	10/2012	Stuckey et al. .... D12/588
D651,556 S	1/2012	Westaway	D669,841 S	10/2012	Kiwaki
D652,370 S	1/2012	Buchinger-Barnstorf	D669,842 S	10/2012	Buchinger-Barnstorf
D652,785 S	1/2012	Rittweger et al.	8,302,644 B2	11/2012	Takahashi
D654,013 S	2/2012	Yonetsu	D673,897 S	1/2013	Krier
D654,848 S	2/2012	Yonetsu	D674,739 S	1/2013	Georges et al.
D656,083 S	3/2012	Mukai	D675,149 S	1/2013	Bruneau et al.
D657,302 S	4/2012	Durand	D675,979 S	2/2013	Ohara
D657,734 S *	4/2012	Buchinger-Barnstorf ... D12/600	D676,801 S	2/2013	Scheifele
D658,116 S	4/2012	Chen	D677,215 S	3/2013	Nakamura
D659,083 S	5/2012	Nguyen et al.	D677,617 S	3/2013	Hayashi
D661,247 S	6/2012	Sareen	D687,369 S *	8/2013	Kitamura ..... D12/583
D662,458 S	6/2012	De Benedittis et al.	D687,370 S *	8/2013	Kitamura ..... D12/583
D663,680 S	7/2012	Westaway	D722,558 S *	2/2015	Takei ..... D12/584
D666,551 S	9/2012	Schmidt-Zum Berge et al.	2007/0151645 A1 *	7/2007	Mathews ..... 152/209.18
D666,964 S	9/2012	Ishida et al.	2007/0151646 A1	7/2007	Ito
			2012/0234442 A1	9/2012	Mayni
			2013/0000803 A1	1/2013	Fugier

\* cited by examiner

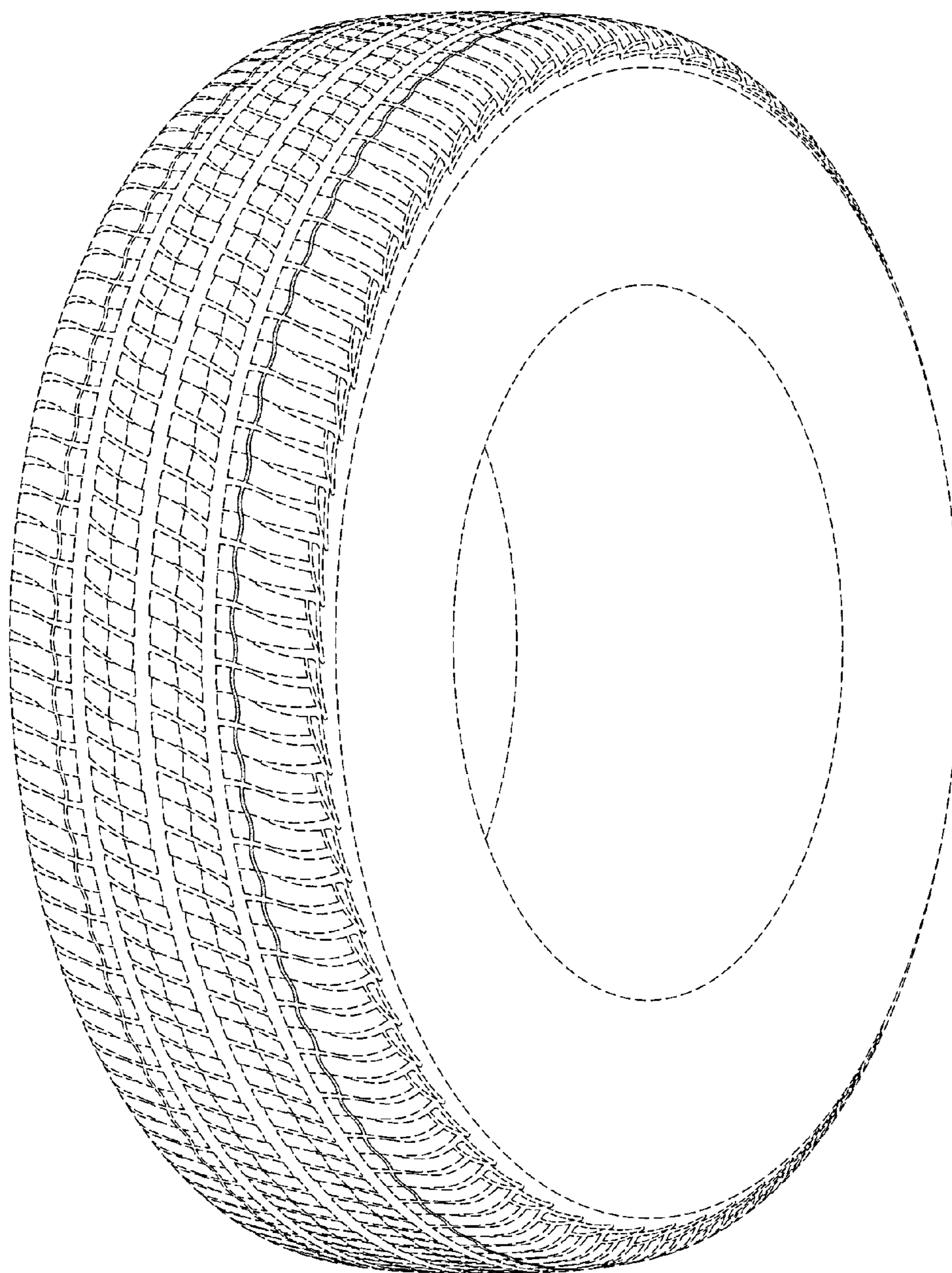


FIG-1

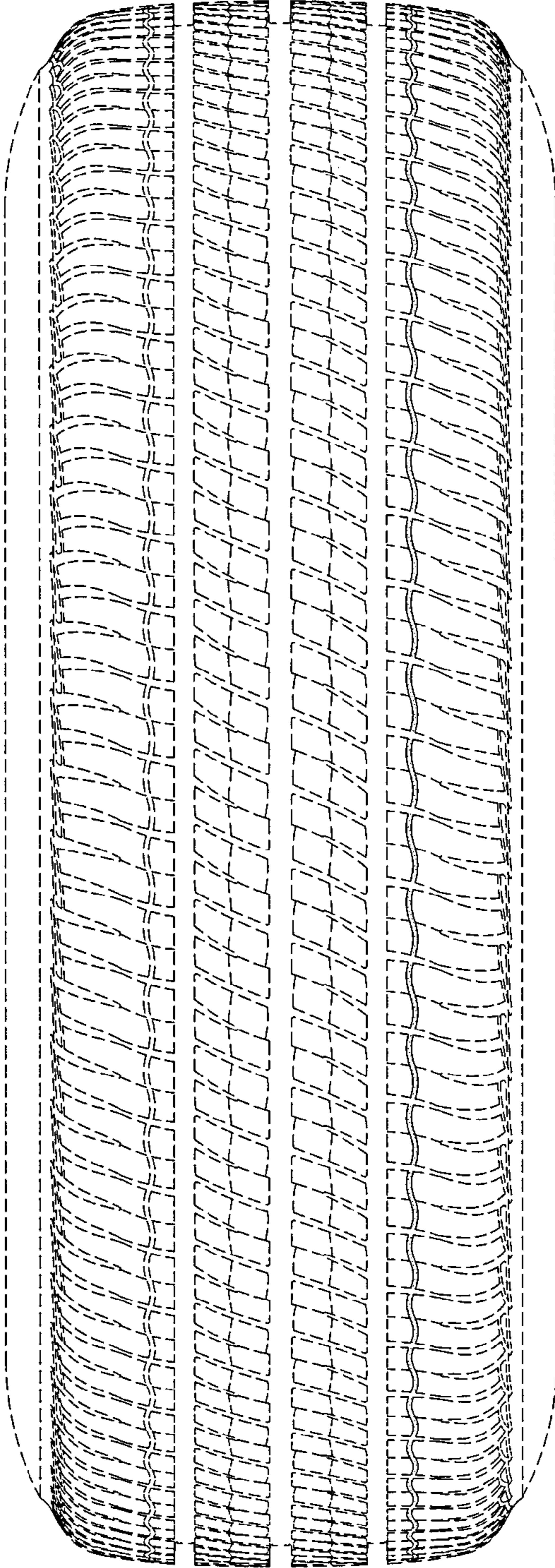


FIG-2

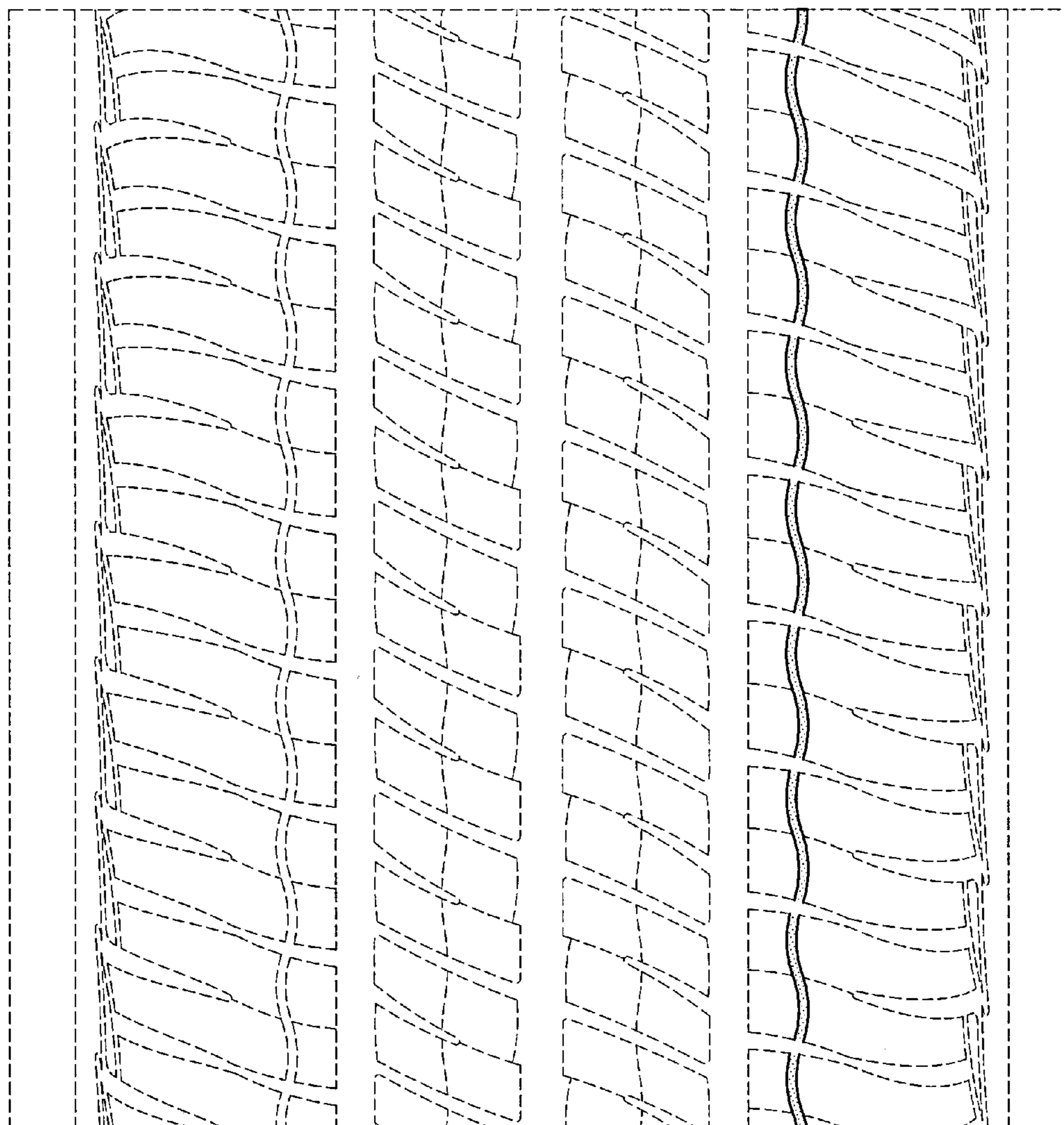


FIG-3