



US00D740215S

(12) **United States Design Patent**
Wang

(10) **Patent No.:** **US D740,215 S**

(45) **Date of Patent:** **** Oct. 6, 2015**

(54) **TIRE TREAD**

(71) Applicant: **FORTUNE GOLD ENTERPRISES LTD., Mahe (SC)**

(72) Inventor: **Feng Wang, Shandong (CN)**

(73) Assignee: **FORTUNE GOLD ENTERPRISES LTD., Mahe (SC)**

(**) Term: **14 Years**

(21) Appl. No.: **29/478,907**

(22) Filed: **Jan. 9, 2014**

(51) **LOC (10) Cl.** **12-15**

(52) **U.S. Cl.**
USPC **D12/601**

(58) **Field of Classification Search**
USPC D12/568-603; 152/209.1-209.28
CPC .. B60C 11/033; B60C 11/13; B60C 11/1315;
B60C 13/02

See application file for complete search history.

(56) **References Cited**

U.S. PATENT DOCUMENTS

D432,957 S *	10/2000	Ricquet	D12/521
D484,093 S *	12/2003	Masuko	D12/601
D647,459 S *	10/2011	Bervas et al.	D12/532
D668,208 S *	10/2012	Brown et al.	D12/588

D676,802 S *	2/2013	Takei	D12/588
D686,138 S *	7/2013	Chartier et al.	D12/521
D686,139 S *	7/2013	Chartier et al.	D12/521
D721,641 S *	1/2015	Sieber et al.	D12/588

* cited by examiner

Primary Examiner — George D Kirschbaum

Assistant Examiner — Jennifer Watkins

(74) *Attorney, Agent, or Firm* — Vidas, Arrett & Steinkraus

(57) **CLAIM**

The ornamental design for a tire tread, as shown and described.

DESCRIPTION

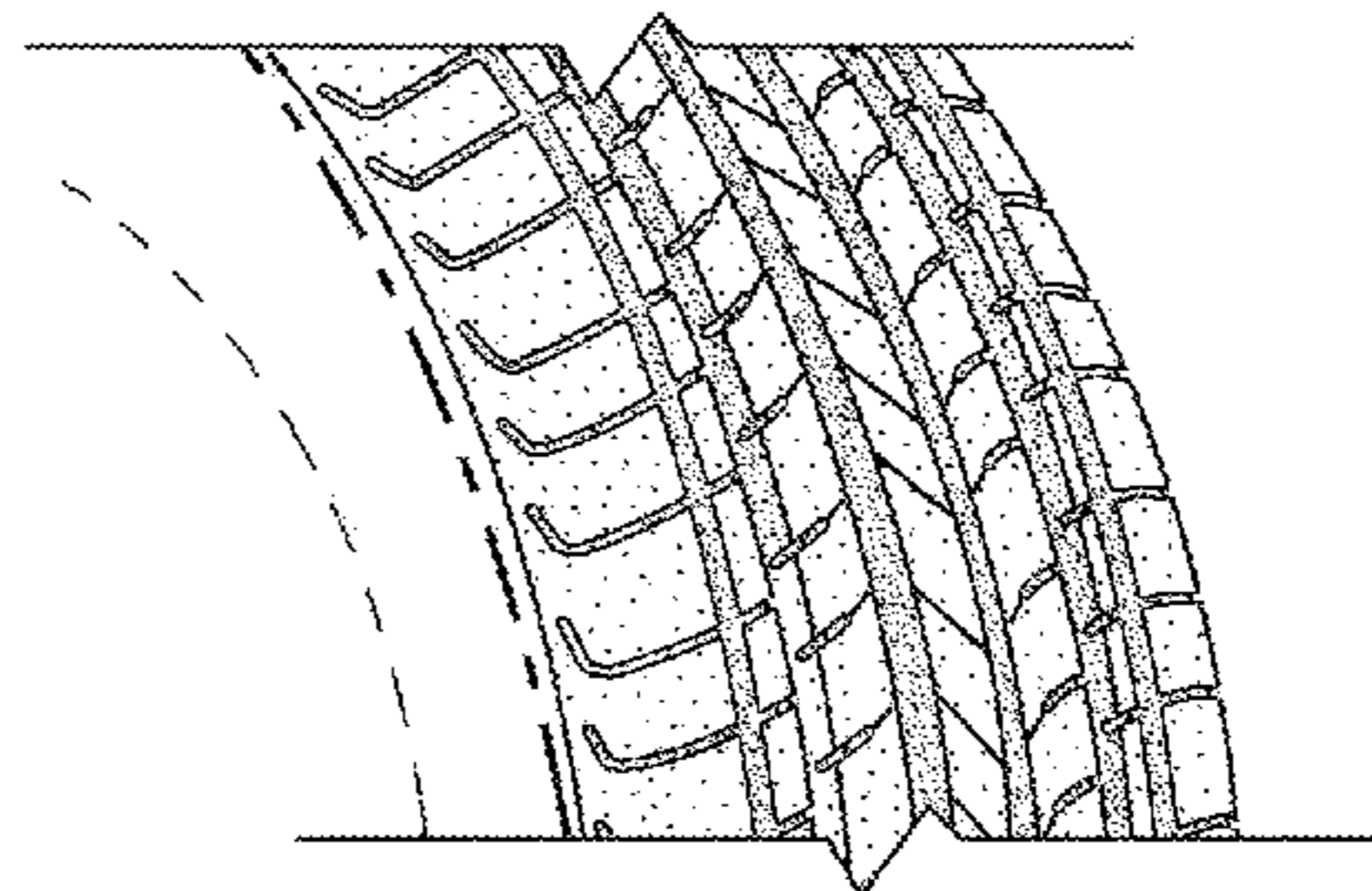
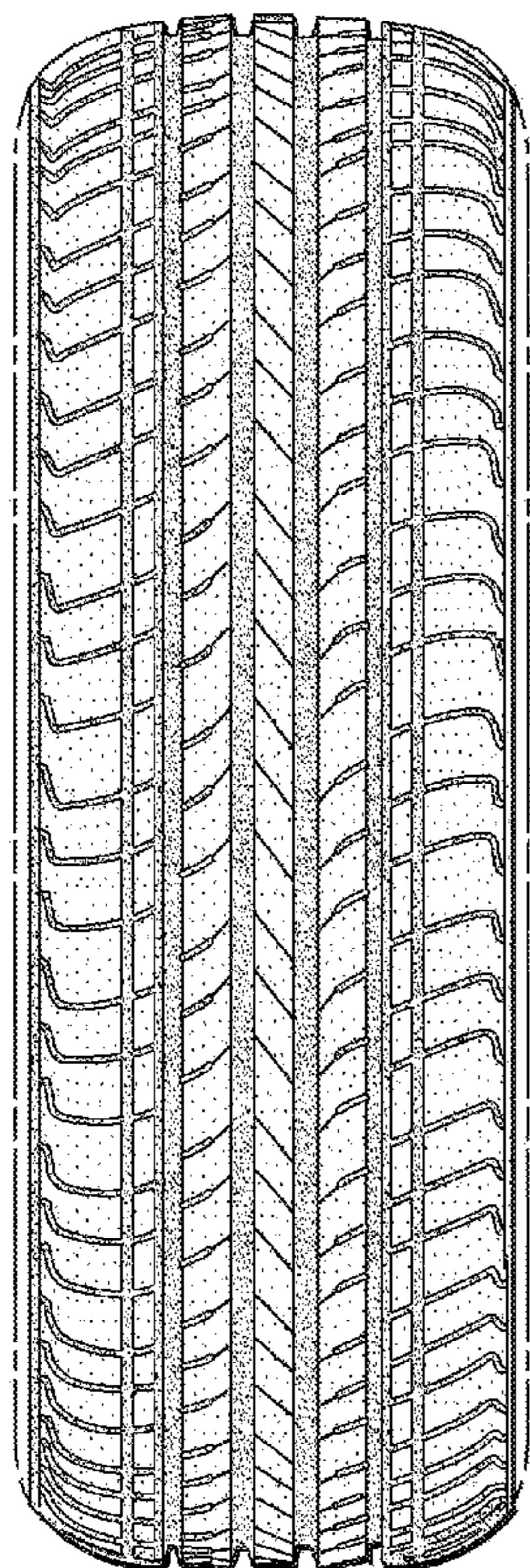
FIG. 1 is a front elevational view of the tire tread, it being understood that the tread pattern is repeated throughout the circumference of the tire tread, the opposite side being the same as that shown.

FIG. 2 is a front angled perspective view of the tire tread, it being understood that the tread pattern is repeated throughout the circumference of the tire tread; and,

FIG. 3 is a side elevational view of the right side of the tire tread, the opposite side being identical thereto.

The broken lines showing the sidewall, the peripheral boundary between the claimed tread and the sidewall, and the inner bead are for the purpose of illustrating environmental subject matter.

1 Claim, 2 Drawing Sheets



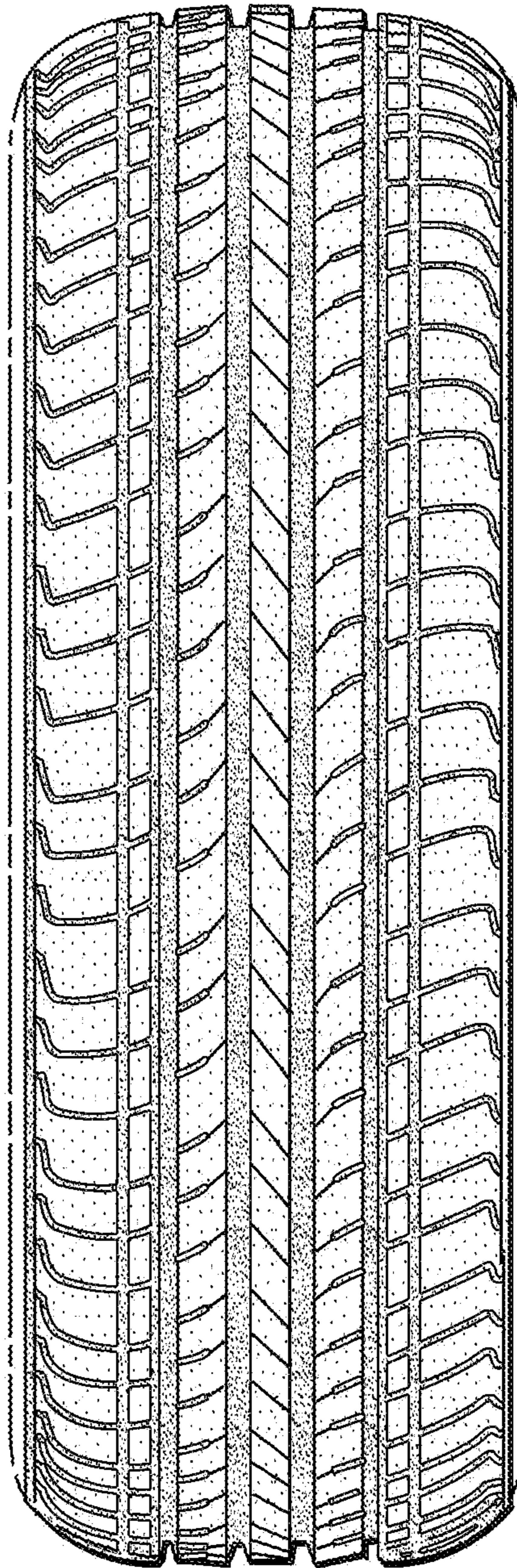


Fig. 1

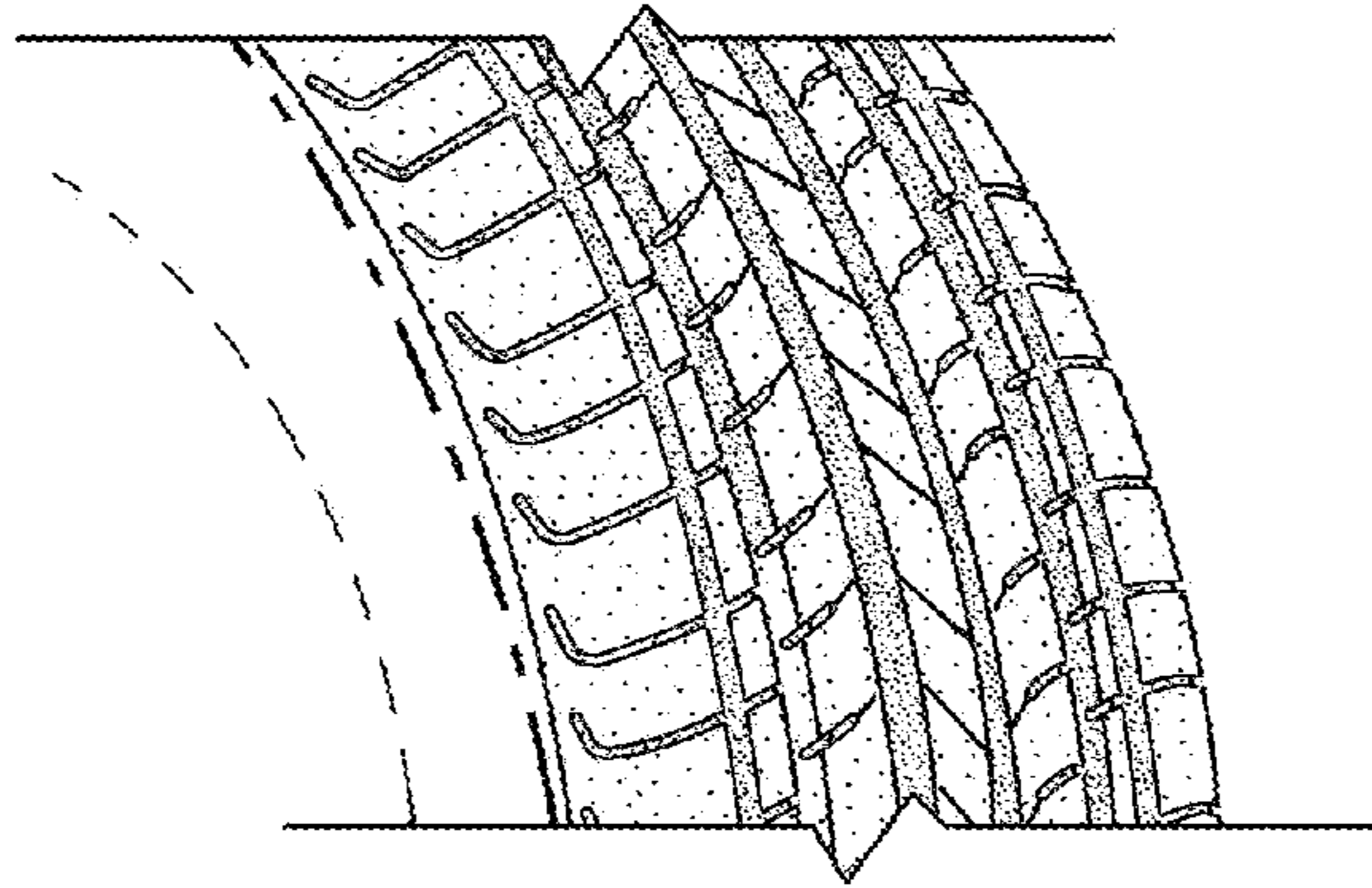


Fig. 2

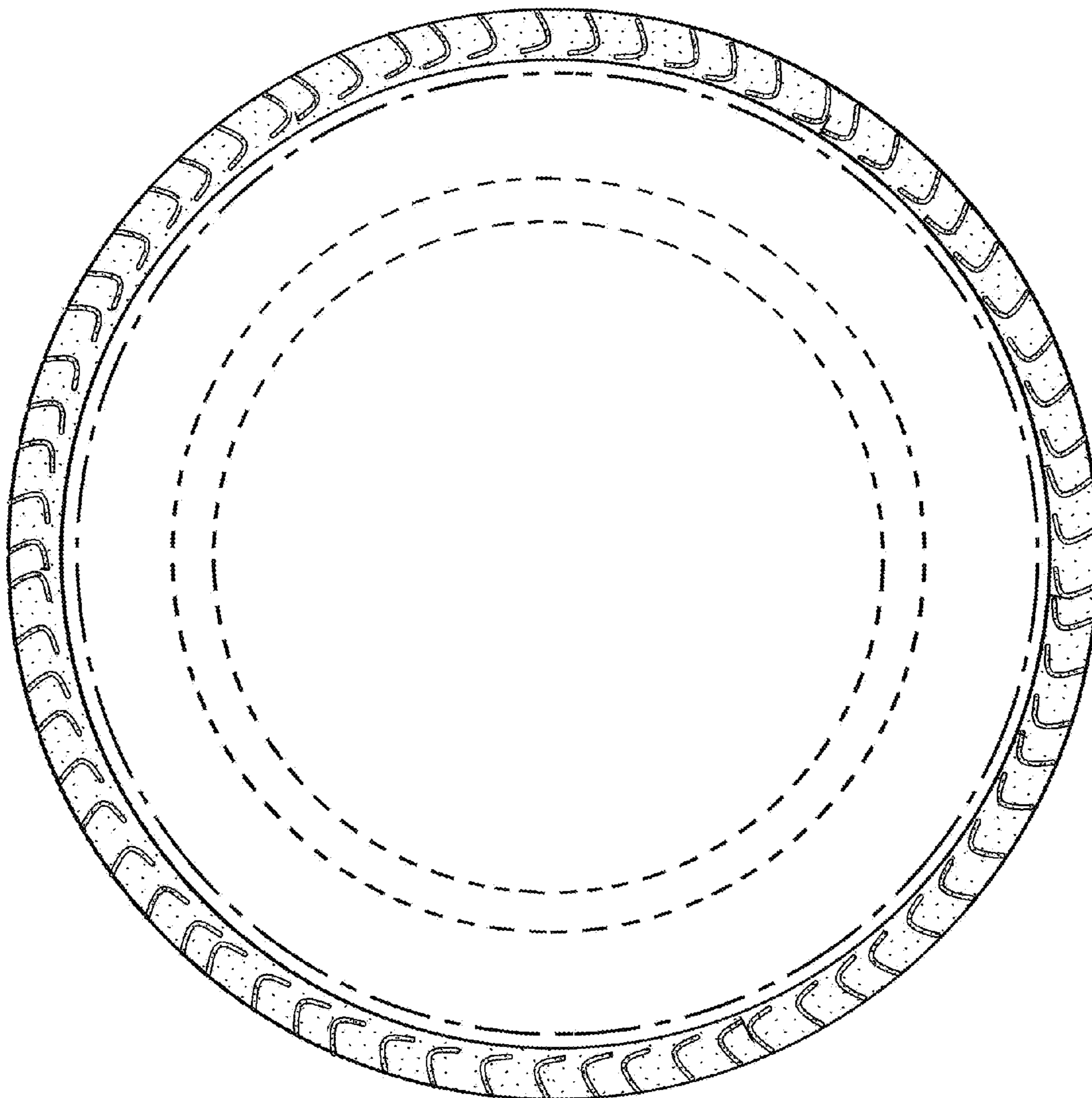


Fig. 3