



US00D740214S

(12) **United States Design Patent**
Le et al.

(10) **Patent No.:** **US D740,214 S**
(45) **Date of Patent:** **** Oct. 6, 2015**

- (54) **TIRE**
- (71) Applicant: **The Goodyear Tire & Rubber Company, Akron, OH (US)**
- (72) Inventors: **Phuoc Thuan Le, Attert (BE); Lionel Jean-Marie Bortolet, Gorcy (FR); Daniel Scheuren, Arlon (BE); Michel Pierre Charles Robert, Sibret (BE); Jean-Claude Knepper, Ingeldorf (LU); Vincent Dominique Claude Rion, Sprimont (BE); Georges Gaston Feider, Bettborn (LU); Jaroslaw Micek, Ettelbruck (LU); Juergen Hotz, Ferschweiler (DE)**
- (73) Assignee: **The Goodyear Tire & Rubber Company, Akron, OH (US)**
- (**) Term: **14 Years**
- (21) Appl. No.: **29/466,017**
- (22) Filed: **Sep. 4, 2013**
- (51) **LOC (10) Cl.** **12-15**
- (52) **U.S. Cl.**
USPC **D12/600**
- (58) **Field of Classification Search**
USPC D12/568-602; 152/209.1-209.28, 455, 152/523
CPC B60C 1/00
See application file for complete search history.

D473,843 S	4/2003	Le et al.	D12/600
D478,863 S	8/2003	Le et al.	D12/602
D497,875 S	11/2004	Le et al.	D12/594
D498,208 S	11/2004	Cazin-Bourguignon et al.	D12/600
D517,468 S	3/2006	Le et al.	D12/566
D528,500 S	9/2006	Le et al.	D12/600
D533,498 S	12/2006	Scheuren et al.	D12/588
D534,858 S	1/2007	Le et al.	D12/553
D541,731 S	5/2007	Maziarka et al.	D12/528
D554,055 S	10/2007	Beauguitte et al.	D12/600
D569,334 S	5/2008	Maziarka et al.	D12/600
D584,217 S	1/2009	Scheuren et al.	D12/549
D586,727 S	2/2009	Campana	D12/545
D586,730 S	2/2009	Scheuren et al.	D12/553

(Continued)

Primary Examiner — George D Kirschbaum
(74) *Attorney, Agent, or Firm* — Richard B. O’Planick

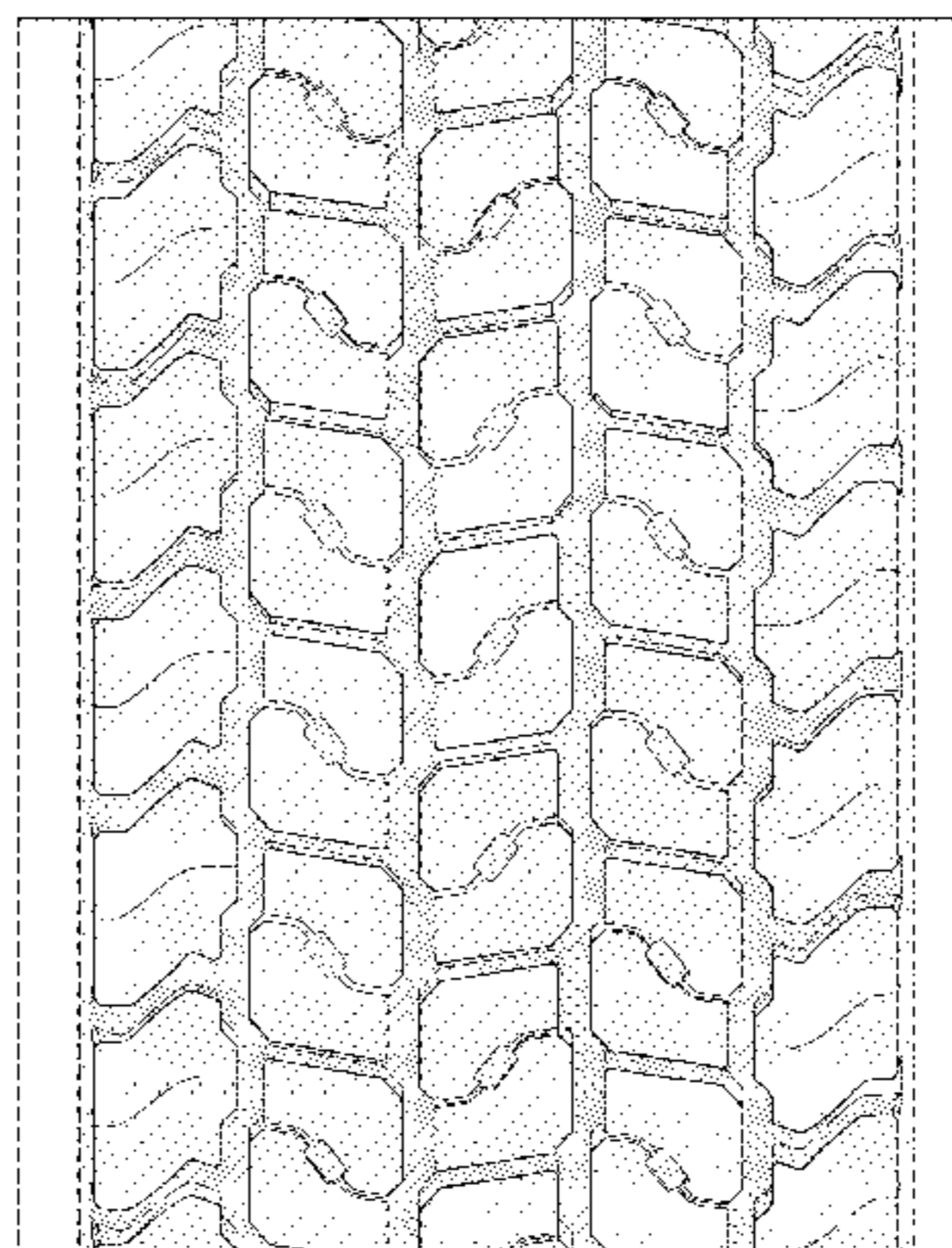
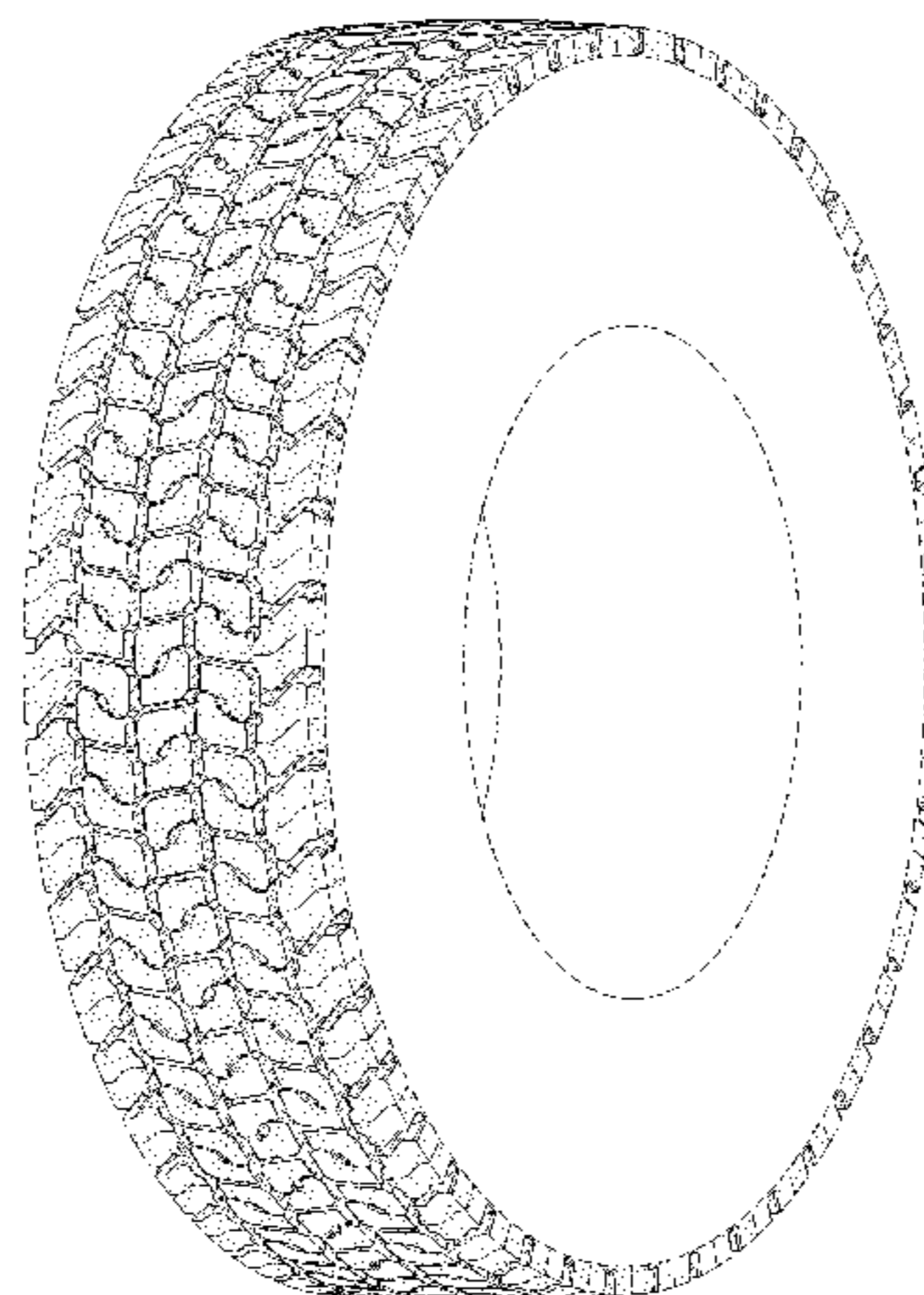
(57) **CLAIM**
The ornamental design for a tire, as shown and described.

DESCRIPTION

FIG. 1 is a perspective view of a tire showing our new design, it being understood that the pattern repeats uniformly throughout the circumference of the tread;
 FIG. 2 is a front elevational view thereof;
 FIG. 3 is a right side elevational view thereof; the opposite side elevational view being identical thereto;
 FIG. 4 is an enlarged fragmentary front elevational view thereof;
 FIG. 5 is a perspective view of a second embodiment of a tire showing our new design, it being understood that the pattern repeats uniformly throughout the circumference of the tread and that the opposite side view is identical thereto; and,
 FIG. 6 is a front elevational view of a second embodiment, it being understood that an enlarged fragmentary view thereof would be substantially identical to that shown in FIG. 4, with the exception of the inclusion of the sidewall in solid lines.
 In the drawings, the broken lines showing of the sidewall, inner bead and the peripheral boundary between the tire tread and the sidewall in FIGS. 1 through 4 depict environmental subject matter and form no part of the claimed design.

1 Claim, 6 Drawing Sheets

- (56) **References Cited**
U.S. PATENT DOCUMENTS
- D347,812 S * 6/1994 Simpson D12/595
- D383,712 S 9/1997 Scheuren et al. D12/143
- D388,040 S 12/1997 de Barsy D12/147
- D410,420 S 6/1999 de Barsy D12/147
- D423,995 S 5/2000 Gillard et al. D12/142
- D449,022 S 10/2001 Cazin-Bourguignon et al. D12/147
- D458,580 S 6/2002 Young et al. D12/512
- D458,584 S 6/2002 Young et al. D12/600



(56)

References Cited

U.S. PATENT DOCUMENTS

D601,085 S	9/2009	Janesh et al.	D12/600	D619,081 S	7/2010	Nicolas et al.	D12/571
D604,228 S	11/2009	Le et al.	D12/582	D626,501 S	11/2010	Cazin-Bourguignon et al.	D12/600
D604,229 S	11/2009	Le et al.	D12/582	D627,707 S	11/2010	Le et al.	D12/566
D612,325 S	3/2010	Haga	D12/566	D628,955 S	12/2010	Toumni et al.	D12/588
D616,810 S *	6/2010	Scheuren et al.	D12/601	D647,040 S	10/2011	Mathonet et al.	D12/588
				D648,264 S	11/2011	Le et al.	D12/588
				D686,565 S *	7/2013	Maus et al.	D12/588

* cited by examiner

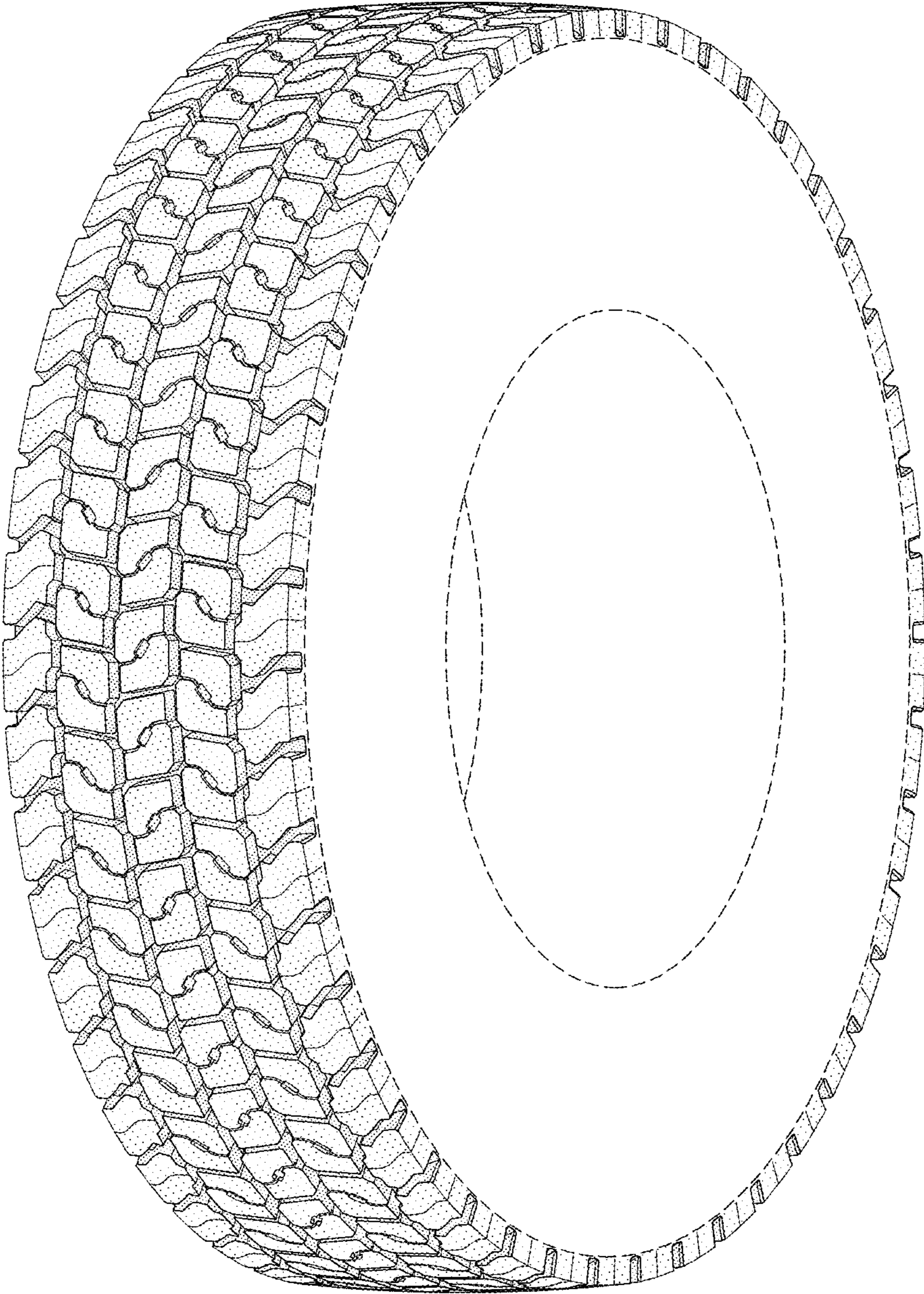


FIG-1

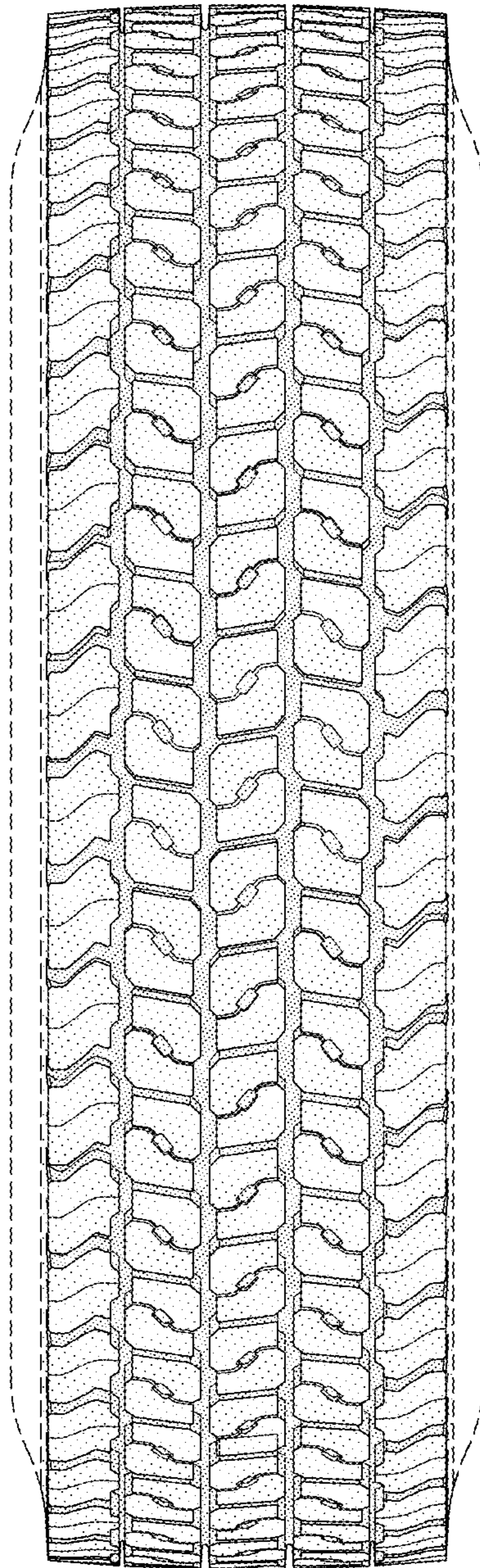


FIG-2

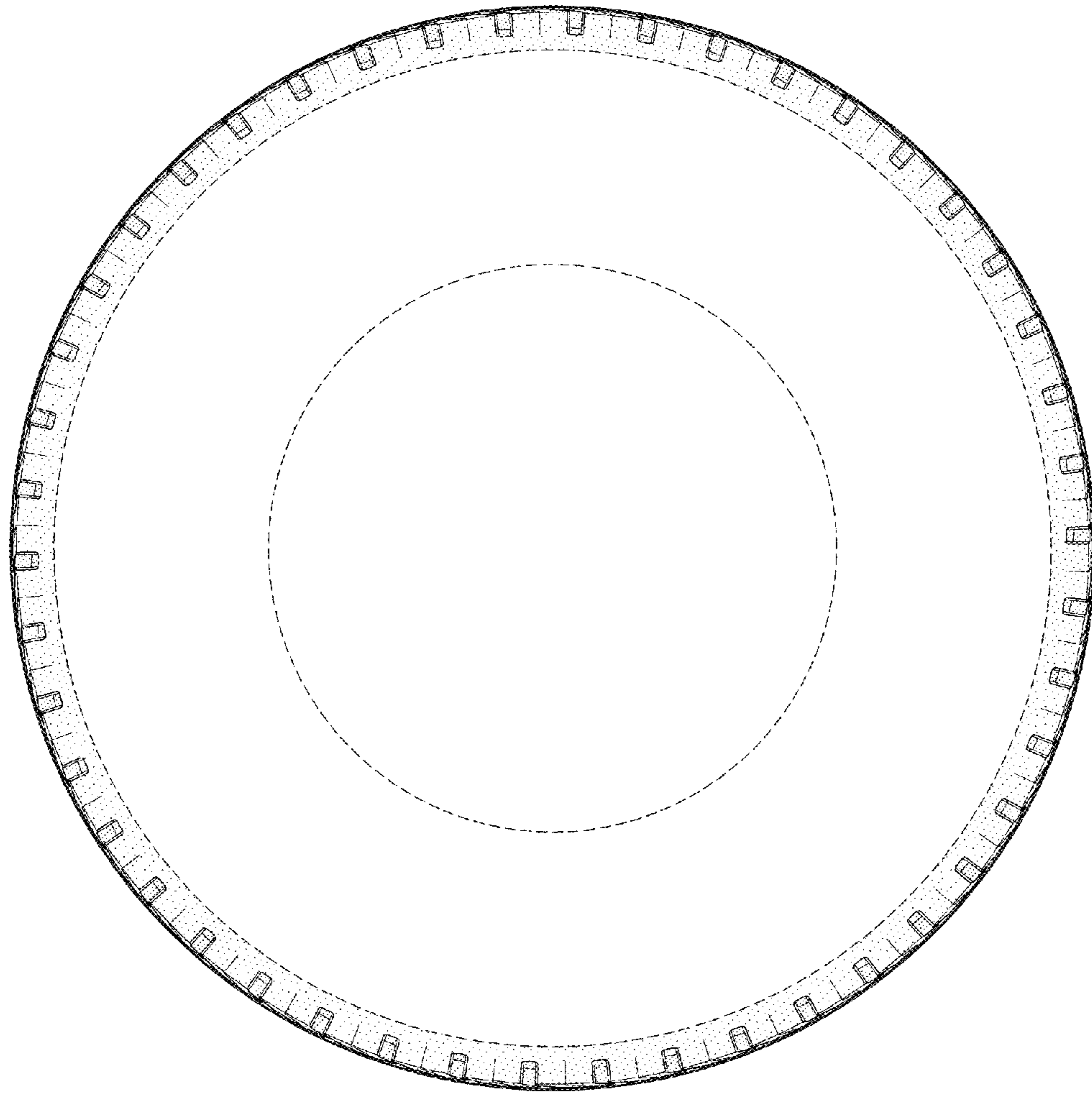


FIG-3

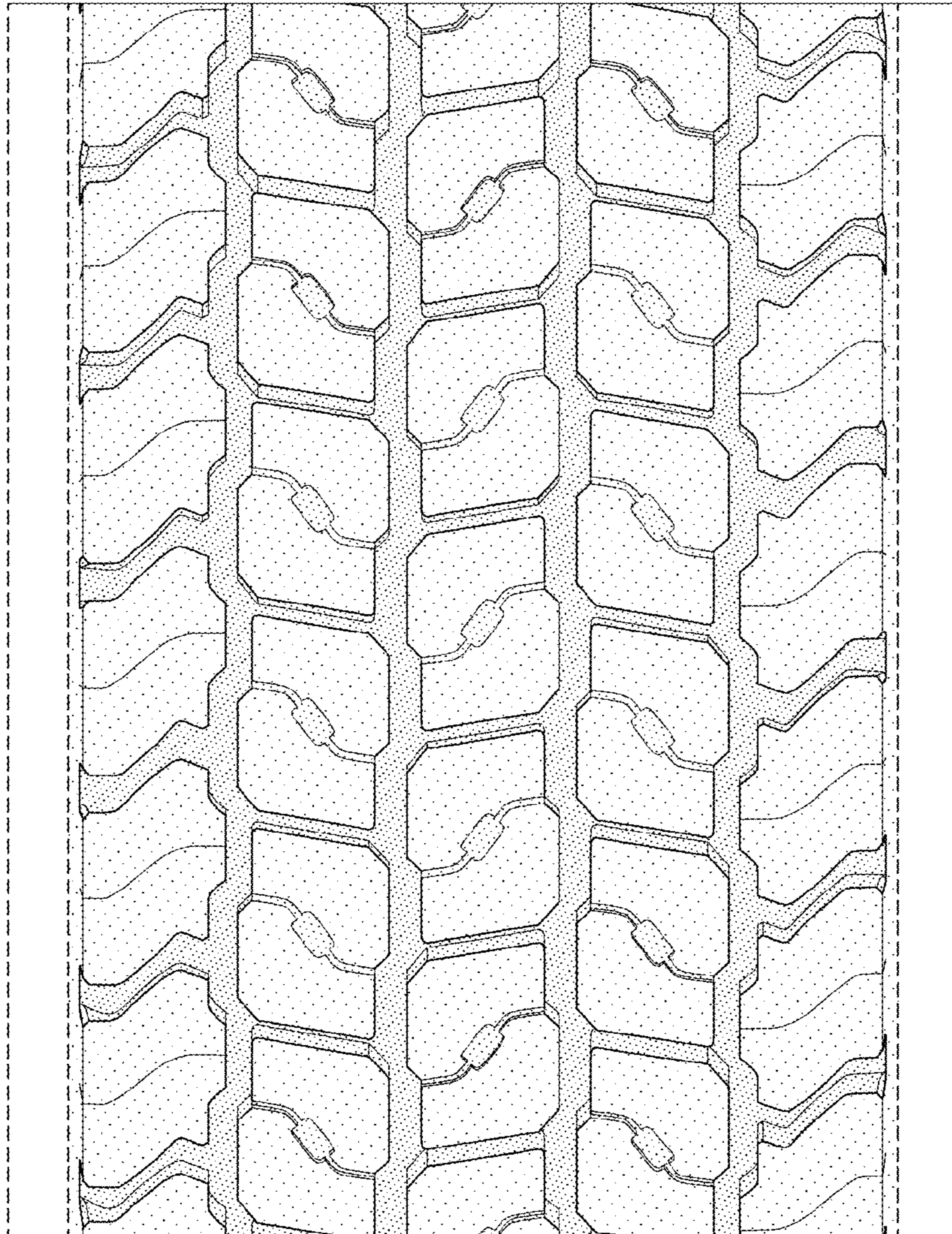


FIG-4

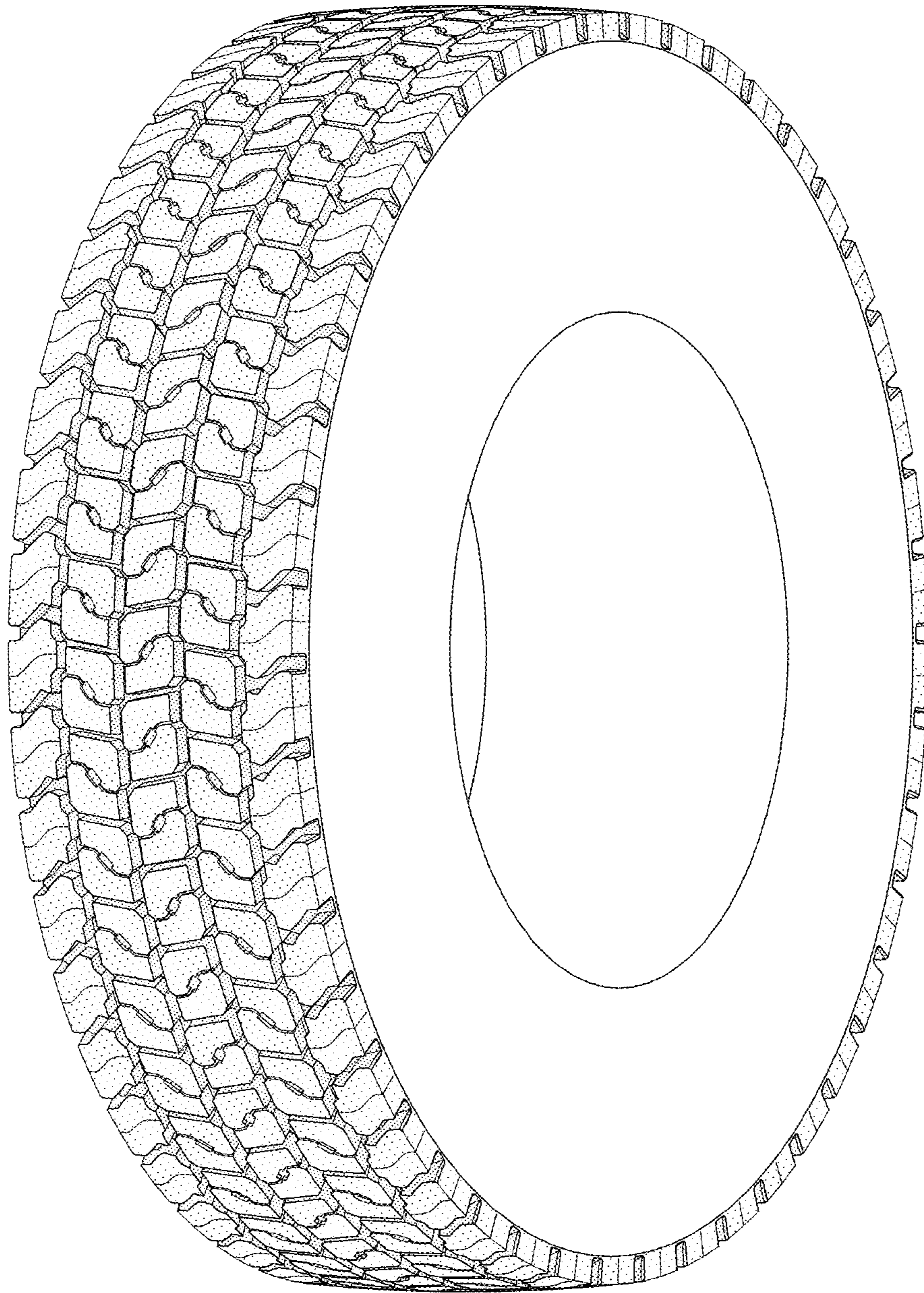


FIG-5

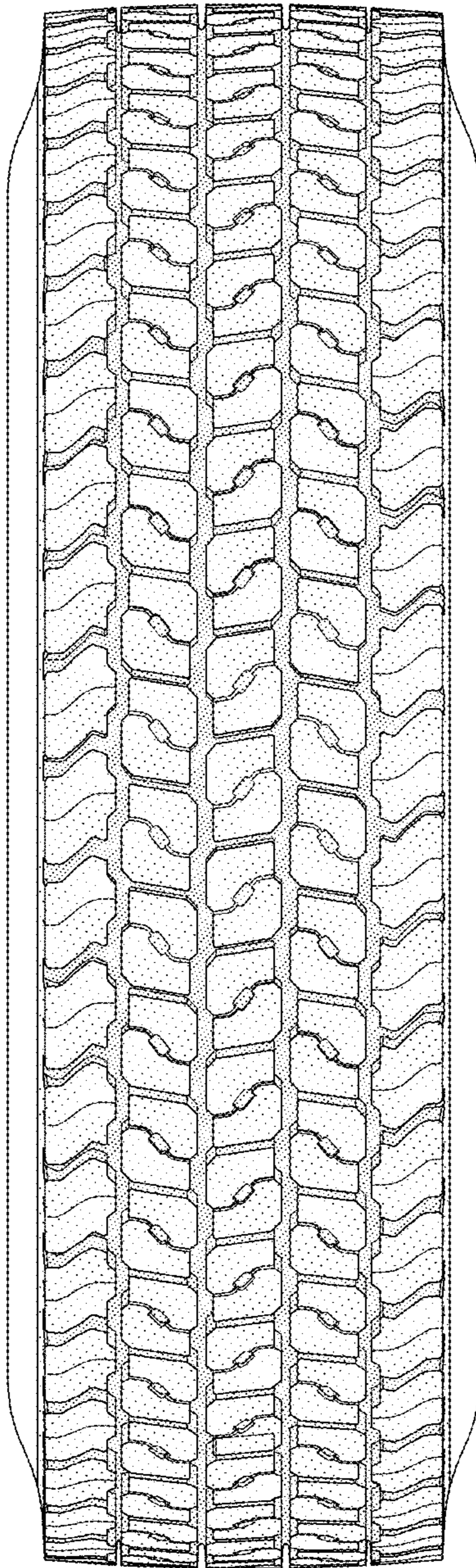


FIG-6