

US00D740211S

(12) **United States Design Patent**
Parr et al.

(10) **Patent No.:** **US D740,211 S**

(45) **Date of Patent:** **** Oct. 6, 2015**

(54) **TIRE TREAD**

(71) Applicant: **Bridgestone Americas Tire Operations, LLC, Nashville, TN (US)**

(72) Inventors: **Richard S. Parr, Canton, OH (US); Domenic Giampaolo, Broadview Heights, OH (US)**

(73) Assignee: **Bridgestone Americas Tire Operations, LLC, Nashville, TN (US)**

(**) Term: **14 Years**

(21) Appl. No.: **29/483,775**

(22) Filed: **Mar. 3, 2014**

(51) **LOC (10) Cl.** **12-15**

(52) **U.S. Cl.**
USPC **D12/589**

(58) **Field of Classification Search**
USPC D12/568-603; 152/209.1-209.9
CPC B60C 1/00; B60C 11/00; B60C 11/03
See application file for complete search history.

(56) **References Cited**

U.S. PATENT DOCUMENTS

D390,517 S	2/1998	Guspodin et al.
D390,559 S	2/1998	Guspodin et al.
D390,820 S	2/1998	Guspodin et al.
D392,605 S	3/1998	Le et al.
D394,030 S	5/1998	Lassan et al.
5,753,058 A	5/1998	Fukumoto et al.
D397,653 S	9/1998	Heinen
D397,654 S	9/1998	Heinen
D398,890 S	9/1998	Harpes et al.
D400,135 S	10/1998	Blankenship et al.
D400,831 S	11/1998	Blankenship et al.
D402,240 S	12/1998	Hubbell, Jr.
D402,935 S	12/1998	Oliver
D402,937 S	12/1998	Robert
D403,627 S	1/1999	Graas
D405,731 S	2/1999	Custons, Jr. et al.

D409,532 S	5/1999	Heinen
D411,151 S	6/1999	Hubbell, Jr.
D411,491 S	6/1999	Harden, Jr. et al.
D411,819 S	7/1999	Blankenship et al.
D414,449 S	9/1999	Schuster
D415,450 S	10/1999	Williams
D415,451 S	10/1999	Weber et al.
D418,783 S	1/2000	Lassan et al.
D421,583 S	3/2000	Kemp, Jr.
D421,942 S	3/2000	Fierro et al.
D421,943 S	3/2000	Fierro et al.
D422,246 S	4/2000	Fierro et al.
D422,950 S	4/2000	Williams

(Continued)

FOREIGN PATENT DOCUMENTS

JP	1224020	11/2004
JP	1257829	12/2005
JP	1371280	10/2009

Primary Examiner — George D Kirschbaum

Assistant Examiner — Natasha Vujcic

(74) *Attorney, Agent, or Firm* — Shaun J. Fox

(57) **CLAIM**

The ornamental design for a tire tread, as shown and described.

DESCRIPTION

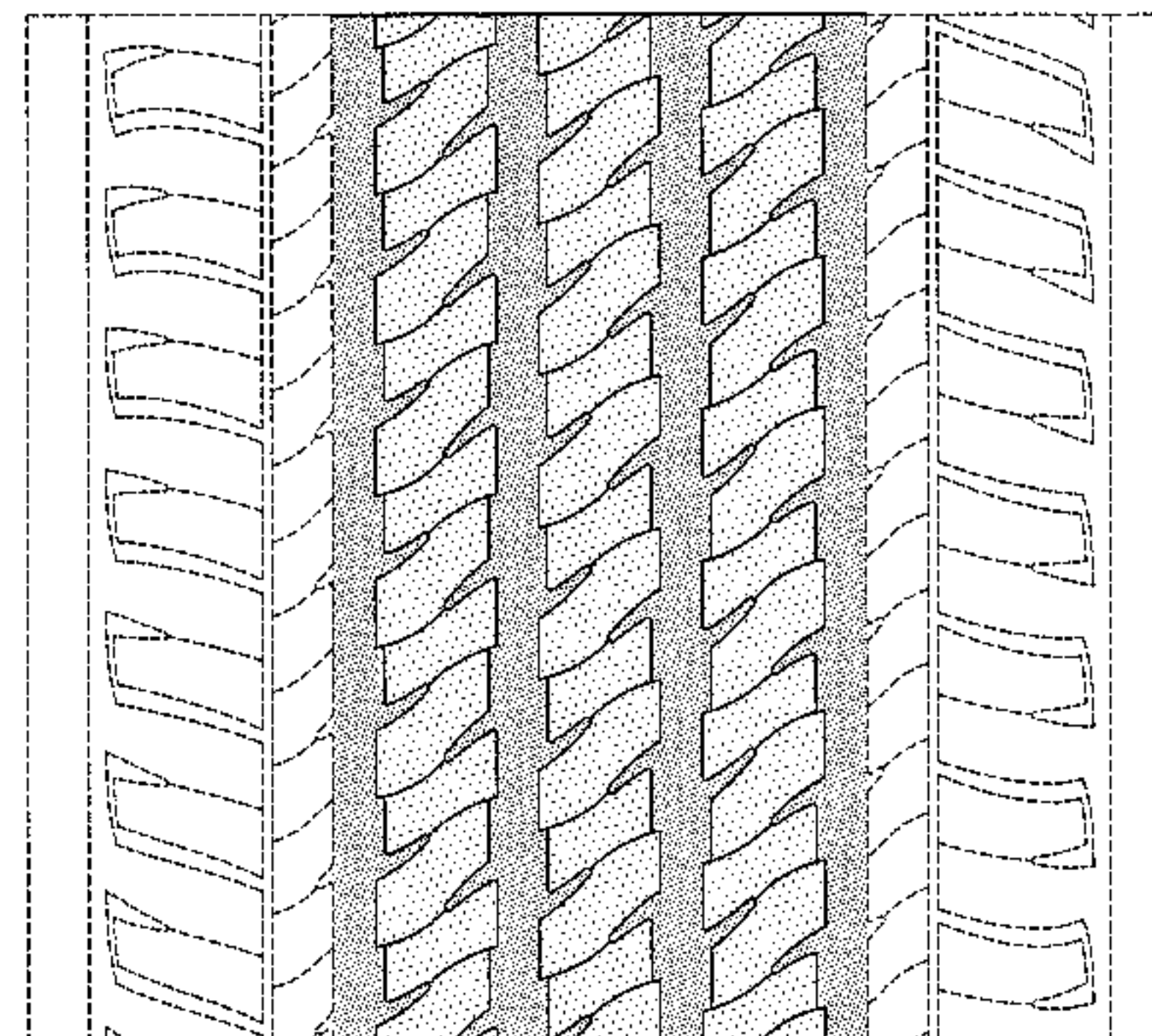
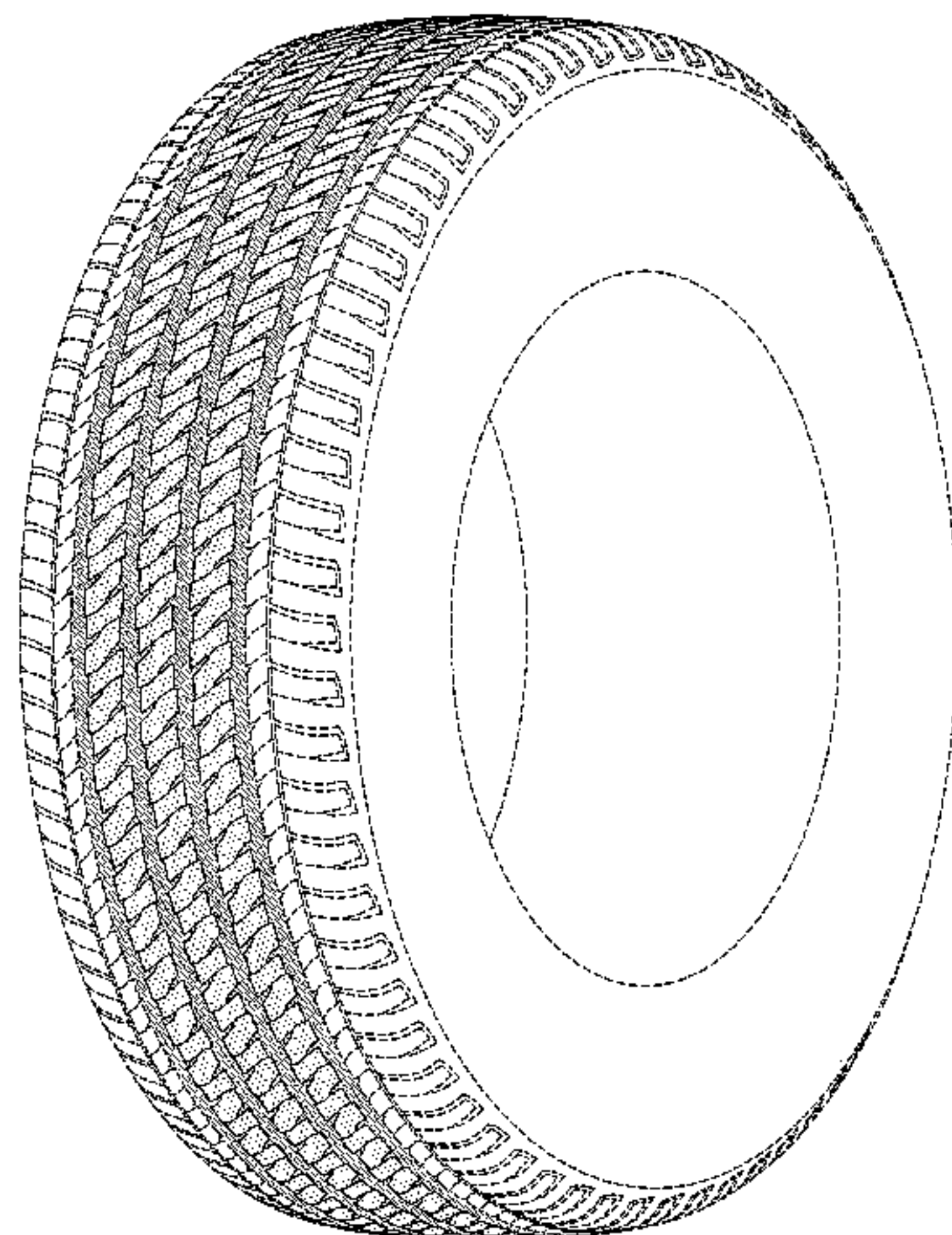
FIG. 1 is a side perspective view of a tire tread showing our new design, it being understood that the tread pattern is repeated throughout the circumference of the tire tread, the opposite side being the same as that shown;

FIG. 2 is a front elevational view thereof, the opposite side being identical thereto; and,

FIG. 3 is an enlarged fragmentary front elevational view thereof.

The broken lines defining the shoulder rib, sidewall, inner bead, and the peripheral boundary between the claimed tire tread and the shoulder rib depict environmental subject matter that forms no part of the claimed design.

1 Claim, 3 Drawing Sheets



(56)

References Cited

U.S. PATENT DOCUMENTS

D423,423 S	4/2000	Guspodin et al.	D627,711 S	11/2010	Grote
D426,502 S	6/2000	O'Neill et al.	7,836,926 B2	11/2010	Suzuki
D426,795 S	6/2000	Oliver	D629,739 S	12/2010	Youn
D428,368 S	7/2000	Harris et al.	D630,998 S	1/2011	Schmalix et al.
D430,082 S	8/2000	Blankenship et al.	7,878,228 B2	2/2011	Ito
6,102,092 A	8/2000	Radulescu	D633,433 S	3/2011	Sieber et al.
6,116,309 A	9/2000	Gillard et al.	D634,261 S	3/2011	Schmalix et al.
D432,959 S	10/2000	Lopez	D637,145 S	5/2011	Lippert et al.
6,142,200 A	11/2000	Feider et al.	D637,148 S	5/2011	Tamura
D437,264 S	2/2001	Lassan et al.	D637,149 S	5/2011	Yamaguchi
D445,369 S	7/2001	Dumigan et al.	D637,150 S	5/2011	Koshio
D445,370 S	7/2001	Allison	D637,546 S	5/2011	Yonetsu
D445,371 S	7/2001	Allison	D638,781 S	5/2011	Osaka
D445,377 S	7/2001	Fantanzo et al.	D638,782 S	5/2011	Osaka
D445,378 S	7/2001	Regallis et al.	D639,722 S	6/2011	Sieber et al.
D445,380 S	7/2001	Fantanzo et al.	D640,625 S	6/2011	Nobunaga
D445,731 S	7/2001	Fantanzo et al.	D641,308 S	7/2011	Kojima
D446,172 S	8/2001	Regallis	D641,309 S	7/2011	Takada
6,286,573 B1	9/2001	Hine	D641,310 S	7/2011	Larregain
D450,270 S	11/2001	Baker	7,980,280 B2	7/2011	Ohara
D451,865 S	12/2001	Clark et al.	D642,975 S	8/2011	Givens et al.
D452,199 S	12/2001	Robert et al.	D643,800 S	8/2011	Riswanda
D454,331 S	3/2002	Fierro et al.	D643,804 S	8/2011	Dixon et al.
D455,394 S	4/2002	Lassan et al.	8,006,730 B2	8/2011	Ohara
D458,582 S	6/2002	Rodicq et al.	D644,592 S	9/2011	Grabo et al.
D459,291 S	6/2002	Ratliff, Jr. et al.	D644,598 S	9/2011	Yokomakura
D460,406 S	7/2002	Guspodin	D646,217 S	10/2011	Muto
D461,765 S	8/2002	Nonaka	D646,626 S	10/2011	Murata
D485,231 S	1/2004	Nonaka	D647,037 S	10/2011	Lo
D487,249 S	3/2004	Okamoto	D647,454 S	10/2011	Fabing et al.
6,715,522 B1	4/2004	Wada	D647,456 S	10/2011	Behr
D497,875 S	11/2004	Le et al.	D647,459 S	10/2011	Bervas et al.
D498,458 S	11/2004	Lee et al.	D648,265 S	11/2011	Kim et al.
D499,694 S	12/2004	Osaki et al.	D648,667 S	11/2011	Yonetsu
6,868,879 B2	3/2005	Radulescu	D648,671 S	11/2011	Nobunaga
D505,387 S	5/2005	Nonaka	D651,553 S	1/2012	Knowles et al.
D512,683 S	12/2005	Dumigan et al.	D651,556 S	1/2012	Westaway
D517,470 S	3/2006	Welbes	D654,013 S	2/2012	Yonetsu
D524,721 S	7/2006	Dumigan et al.	D654,848 S	2/2012	Yonetsu
D531,111 S	10/2006	Fukunaga	D656,083 S	3/2012	Mukai
7,114,540 B2	10/2006	Miyazaki	D658,116 S	4/2012	Chen
D535,940 S	1/2007	Lee et al.	D659,083 S	5/2012	Nguyen et al.
7,207,364 B2	4/2007	Hildebrand	D661,247 S	6/2012	Sareen
D554,054 S	10/2007	Welbes et al.	D662,458 S	6/2012	De Benedittis et al.
D563,861 S	3/2008	Foucher	D663,680 S	7/2012	Westaway
D564,957 S	3/2008	Yoshida et al.	D666,551 S	9/2012	Schmidt-Zum Berge et al.
D566,040 S	4/2008	Diensthuber et al.	D666,964 S	9/2012	Ishida et al.
D579,865 S	11/2008	Matsuyama et al.	D666,967 S	9/2012	Sareen
D580,848 S	11/2008	Hutz	D667,360 S	9/2012	Ishida et al.
D584,213 S	1/2009	Shinkai	D667,779 S	9/2012	Murphy et al.
D584,680 S	1/2009	Hutz	D667,781 S	9/2012	Georges et al.
D597,023 S	7/2009	Park	D668,209 S	10/2012	De Benedittis et al.
D604,231 S	11/2009	Hada	D669,841 S	10/2012	Kiwaki
D605,580 S	12/2009	Williams	D670,237 S	11/2012	Maxwell et al.
D605,581 S	12/2009	Yamaguchi et al.	8,302,644 B2	11/2012	Takahashi
D607,812 S *	1/2010	Dixon et al. D12/588	D673,897 S	1/2013	Krier
D608,725 S	1/2010	Ohara	D674,739 S	1/2013	Georges et al.
D609,165 S	2/2010	Fujioka	D675,149 S	1/2013	Bruneau et al.
D609,175 S	2/2010	Feider et al.	D675,979 S	2/2013	Ohara
D610,970 S *	3/2010	You D12/590	D676,373 S	2/2013	Bachtel et al.
D612,327 S *	3/2010	Yonetsu D12/590	D676,800 S	2/2013	Buchinger-Barnstorf
D613,238 S	4/2010	Harvey et al.	D676,801 S	2/2013	Scheifele
D614,120 S	4/2010	Marella et al.	D677,215 S	3/2013	Nakamura
D615,026 S	5/2010	Nakano	D677,617 S	3/2013	Hayashi
D615,480 S	5/2010	Jacobs	D680,058 S	4/2013	Takei
D615,482 S	5/2010	Nakano	D684,524 S	6/2013	Ohashi
D619,958 S	7/2010	Maxwell	D712,343 S *	9/2014	Wakishima D12/588
D621,779 S	8/2010	Yonetsu	D734,246 S *	7/2015	Parr et al. D12/601
D624,009 S	9/2010	Vandaele et al.	2007/0151646 A1	7/2007	Ito
D624,871 S	10/2010	Behr	2012/0234442 A1	9/2012	Mayni
D626,910 S	11/2010	Bott et al.	2013/0000803 A1	1/2013	Fugier
			2013/0126060 A1	5/2013	Oblizajek et al.
			2013/0153100 A1	6/2013	Piffard et al.

* cited by examiner

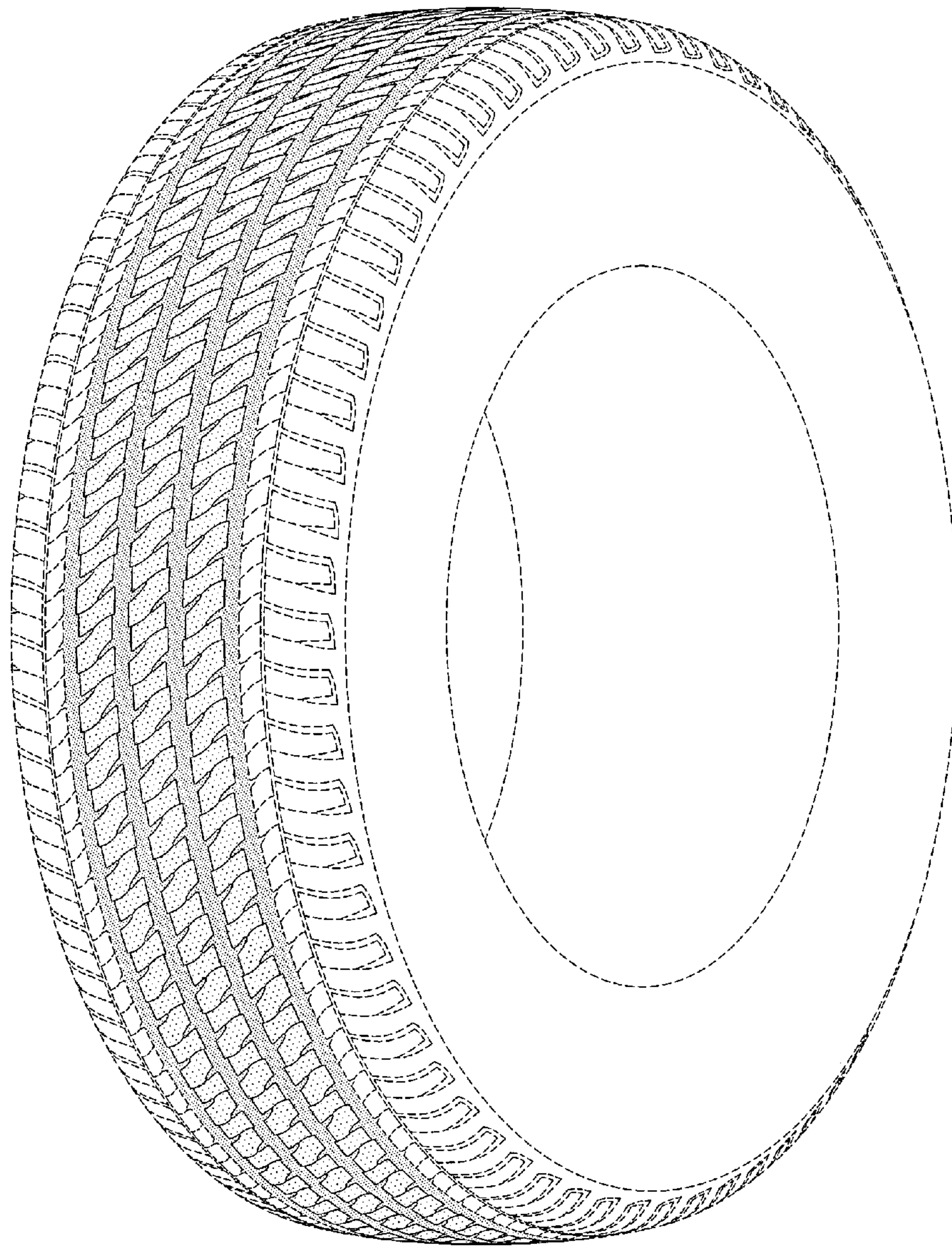


FIG-1

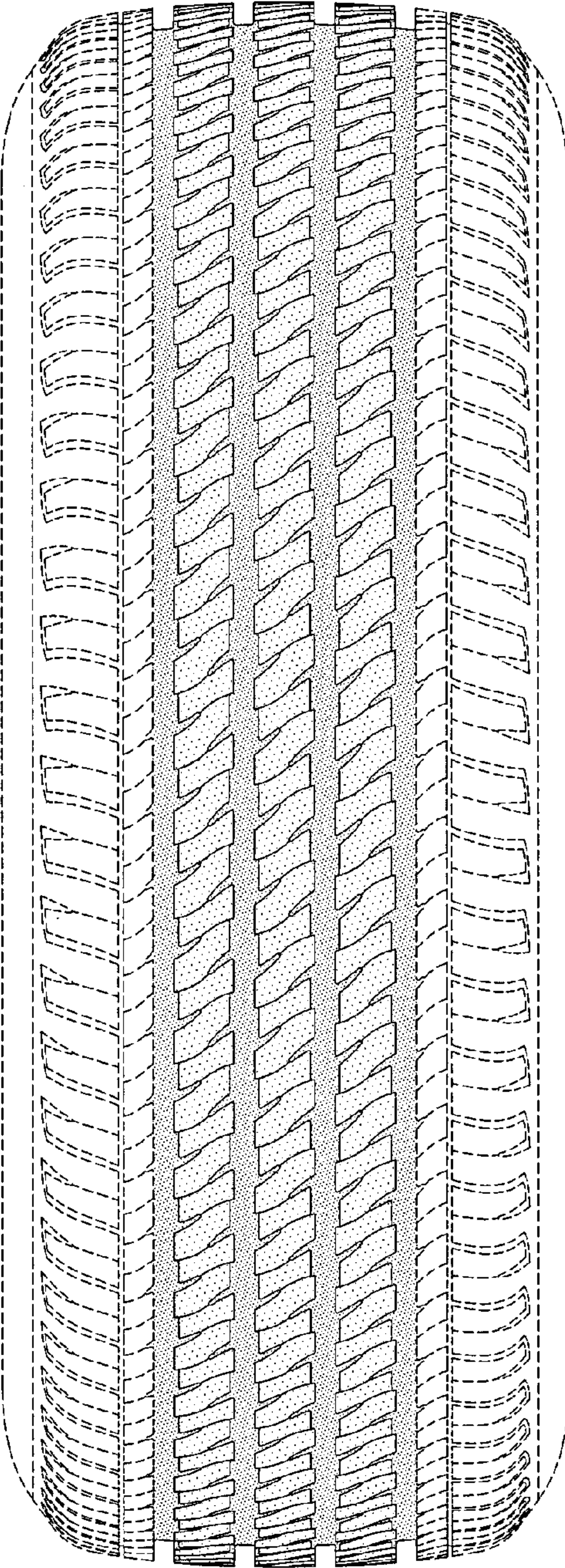


FIG-2

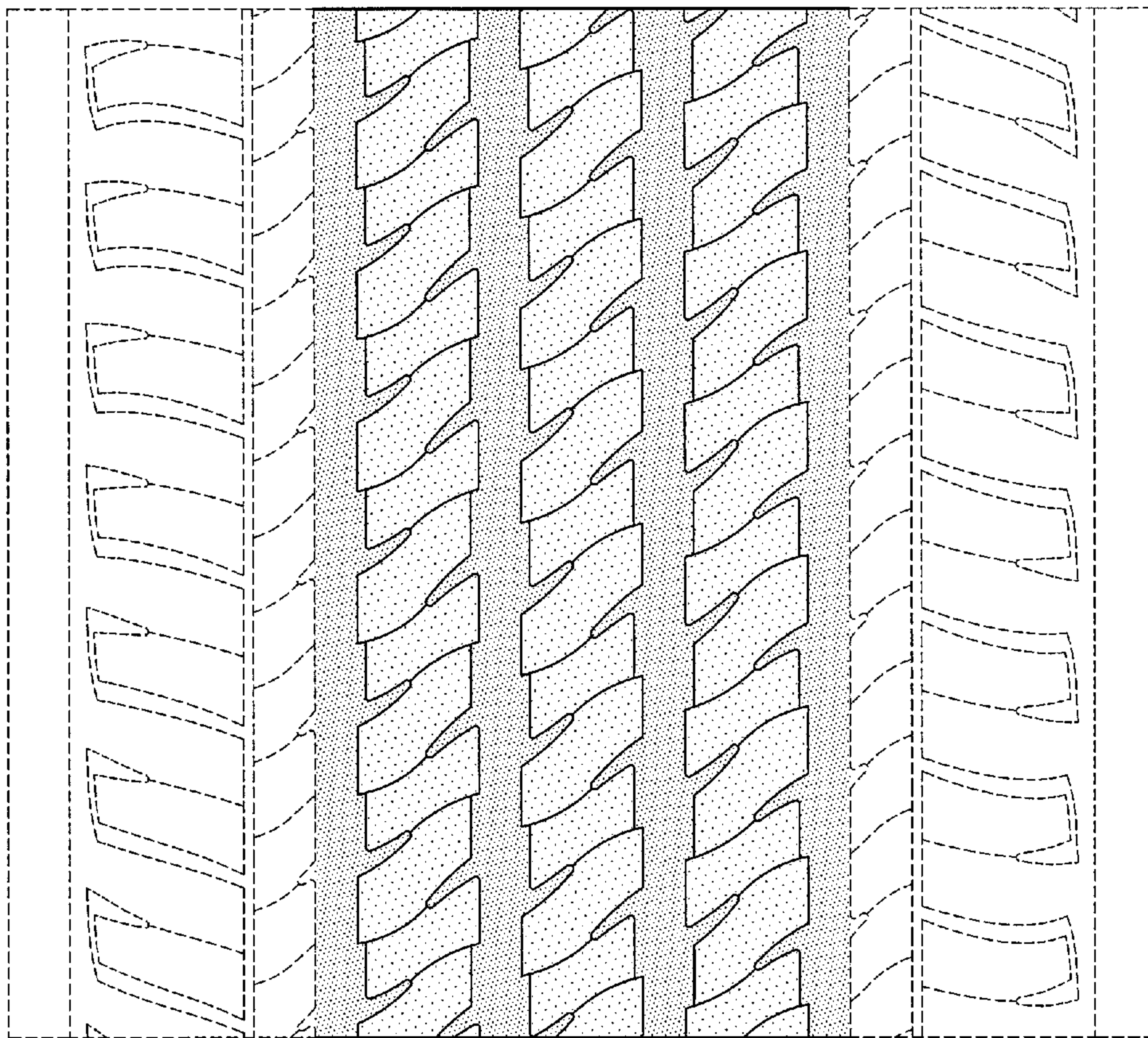


FIG-3