



US00D740210S

(12) **United States Design Patent**
Uphouse et al.

(10) **Patent No.:** **US D740,210 S**

(45) **Date of Patent:** **** Oct. 6, 2015**

(54) **TIRE**

(71) Applicant: **The Goodyear Tire & Rubber Company, Akron, OH (US)**

(72) Inventors: **Hiram William Uphouse, Uniontown, OH (US); Robert Edgar Boore, Uniontown, OH (US); William Butterworth Allison, Cuyahoga Falls, OH (US)**

(73) Assignee: **The Goodyear Tire & Rubber Company, Akron, OH (US)**

(**) Term: **14 Years**

(21) Appl. No.: **29/468,202**

(22) Filed: **Sep. 27, 2013**

(51) **LOC (10) Cl.** **12-15**

(52) **U.S. Cl.**
USPC **D12/588**

(58) **Field of Classification Search**
USPC D12/568-602; 152/209.1-209.28, 455, 152/523
CPC B60C 1/00
See application file for complete search history.

(56) **References Cited**

U.S. PATENT DOCUMENTS

D347,812 S *	6/1994	Simpson	D12/595
D398,567 S	9/1998	Brown et al.	D12/147
D398,886 S	9/1998	Brown et al.	D12/146
D413,286 S	8/1999	Umstot et al.	D12/147
D478,865 S	8/2003	Dixon et al.	D12/603
D480,351 S	10/2003	Dixon et al.	D12/601
D506,180 S	6/2005	Wage	D12/588
D596,559 S	7/2009	Scheuren	D12/579
D599,283 S	9/2009	Umstot et al.	D12/600

D599,731 S	9/2009	Scheuren	D12/566
D603,788 S	11/2009	Lundgren	D12/602
D604,691 S	11/2009	Gervais	D12/584
D616,810 S	6/2010	Scheuren et al.	D12/601
D648,265 S *	11/2011	Kim et al.	D12/589
D658,576 S	5/2012	Sato	D12/601

* cited by examiner

Primary Examiner — George D Kirschbaum

(74) *Attorney, Agent, or Firm* — Richard B. O'Planick

(57) **CLAIM**

The ornamental design for a tire, as shown and described.

DESCRIPTION

FIG. 1 is a perspective view of a tire showing our new design, it being understood that the pattern repeats uniformly throughout the circumference of the tread;

FIG. 2 is a front elevational view thereof;

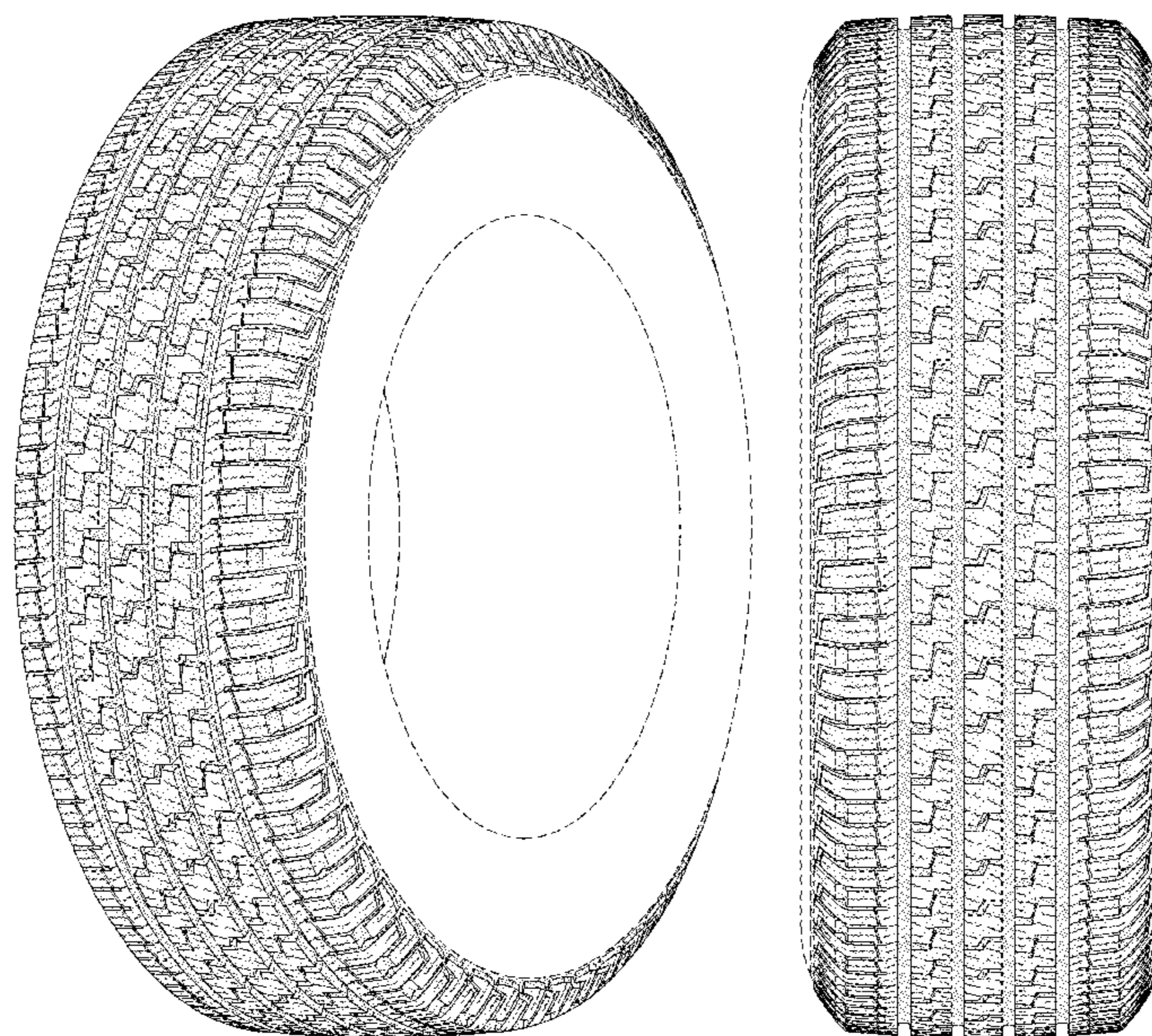
FIG. 3 is a right side elevational view thereof; the opposite side elevational view being identical thereto;

FIG. 4 is an enlarged fragmentary front elevational view thereof;

FIG. 5 is a perspective view of a second embodiment of a tire showing our new design, it being understood that the pattern repeats uniformly throughout the circumference of the tread and that the opposite side view is identical thereto; and, FIG. 6 is a front elevational view of a second embodiment, it being understood that an enlarged fragmentary view thereof would be substantially identical to that shown in FIG. 4, with the exception of the inclusion of the sidewall in solid lines.

In the drawings, the broken lines showing of the sidewall, inner bead and the peripheral boundary between the tire tread and the sidewall in FIGS. 1 through 4 depict environmental subject matter and form no part of the claimed design.

1 Claim, 6 Drawing Sheets



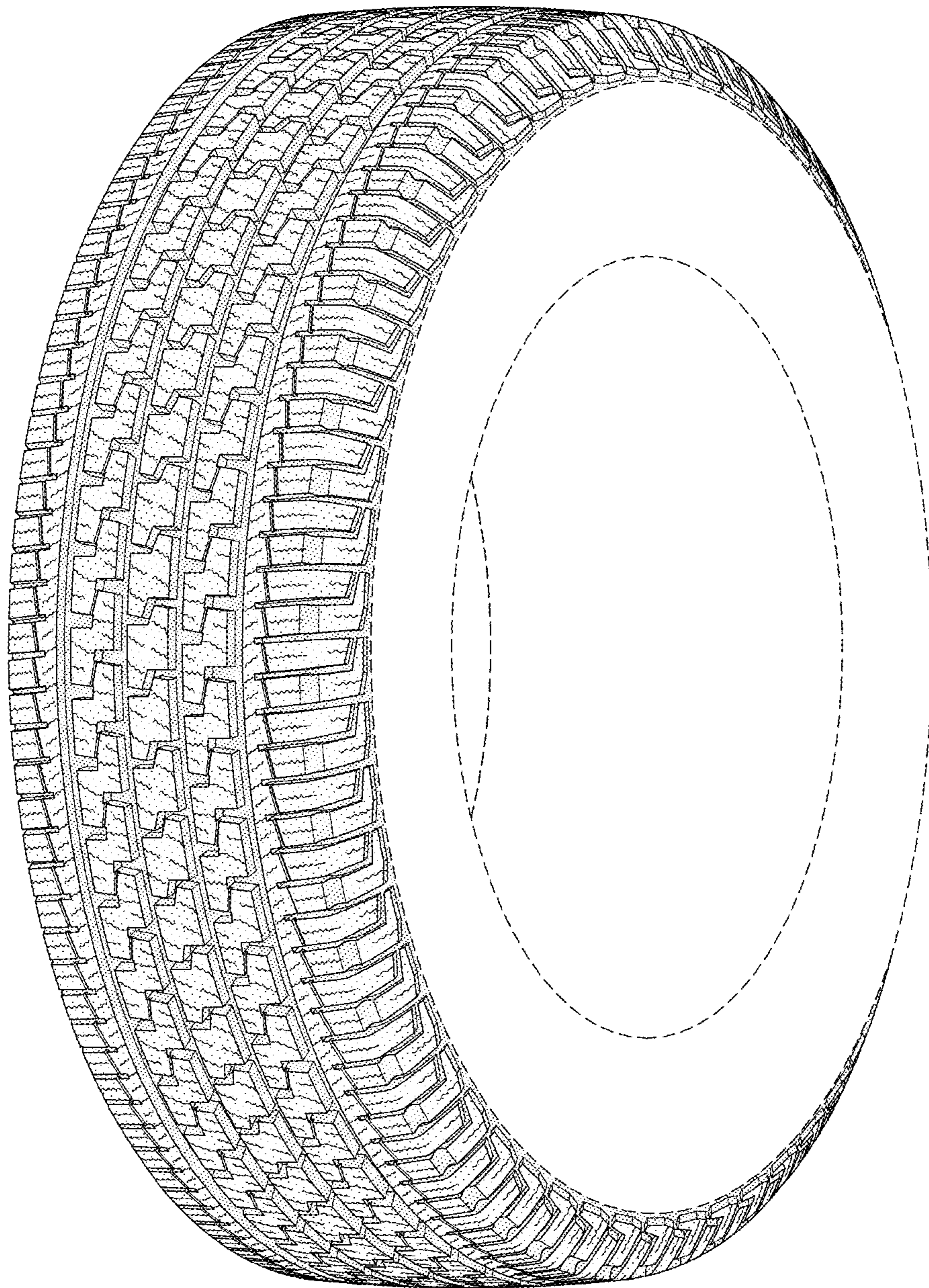


FIG-1

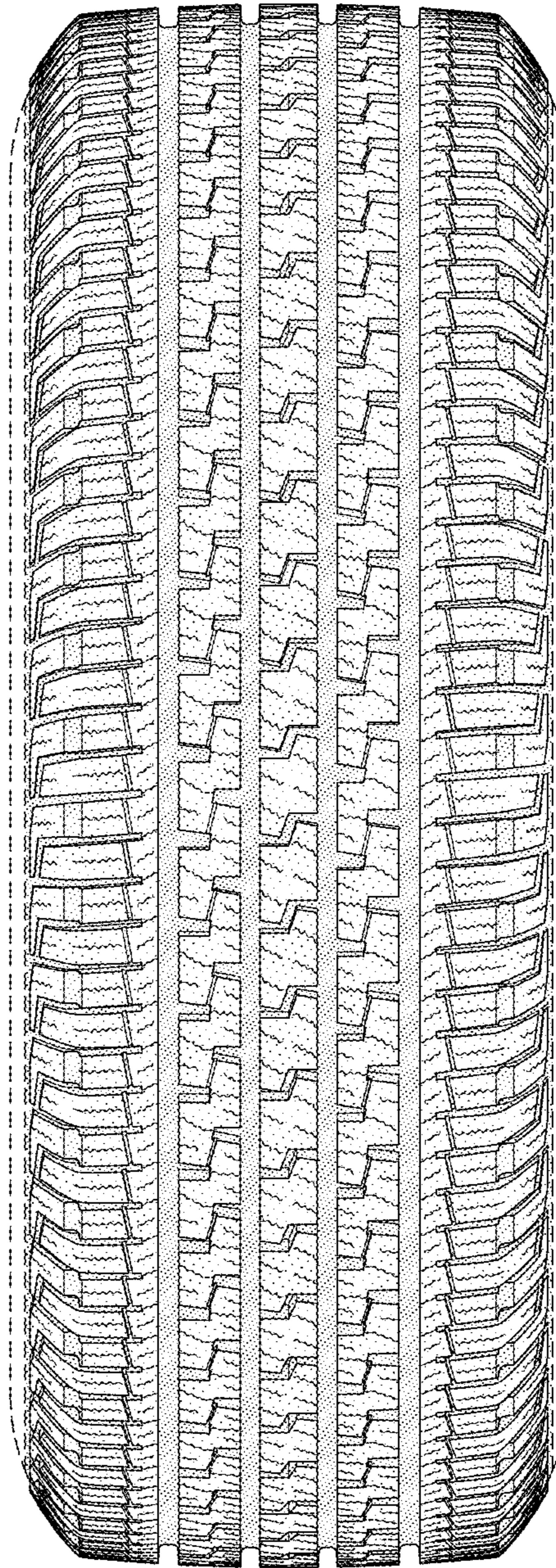


FIG-2

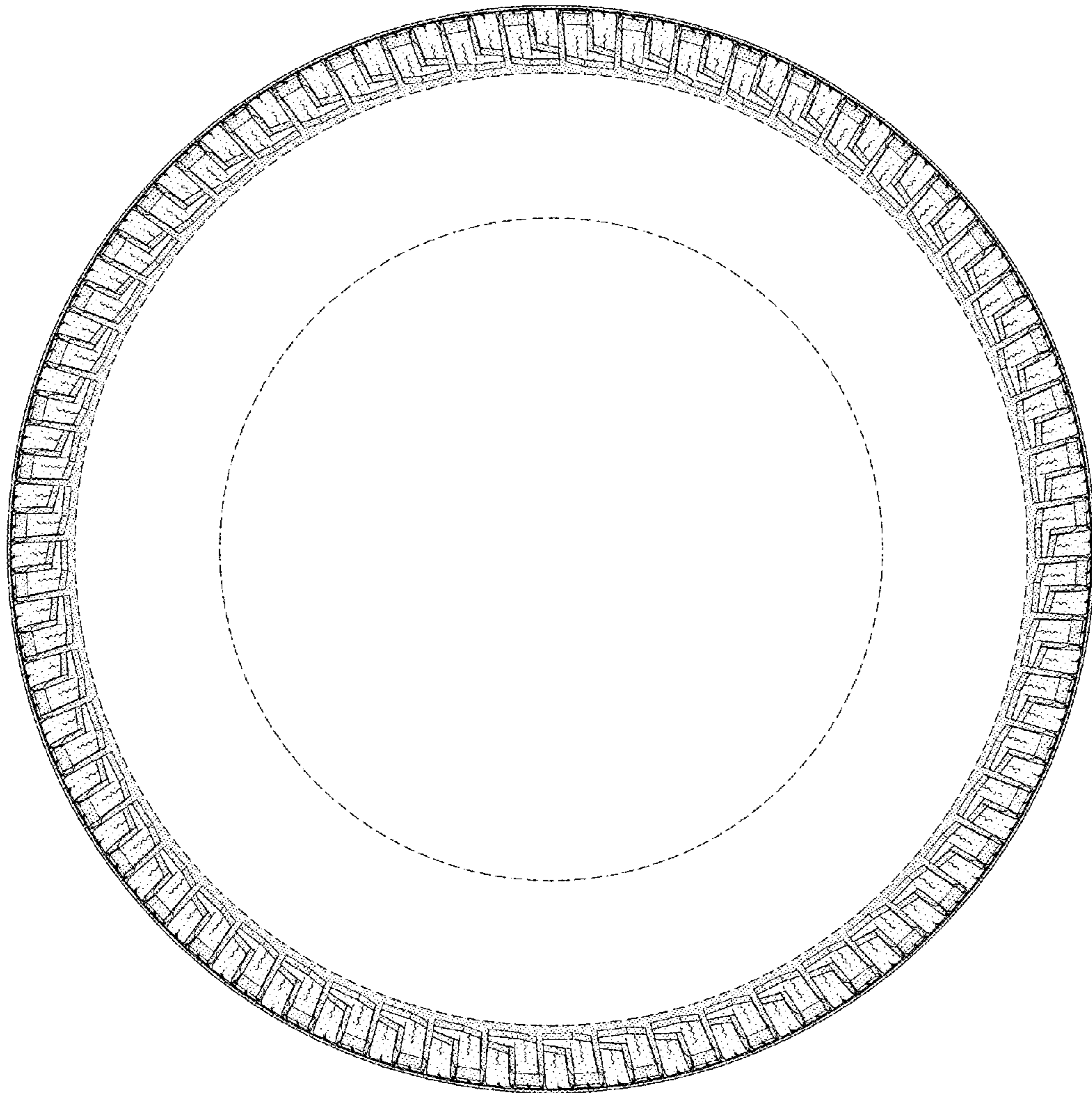


FIG-3

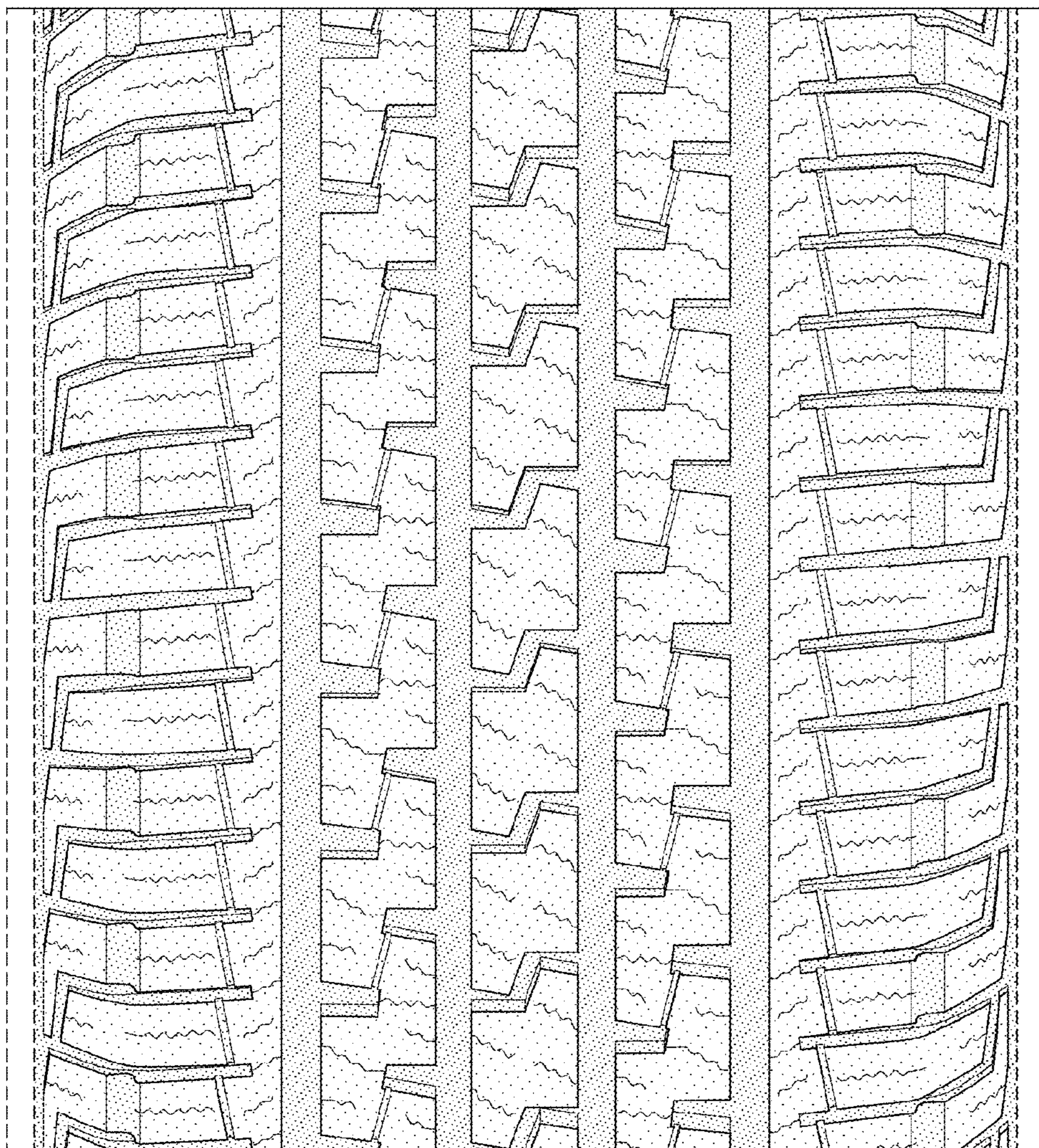


FIG-4

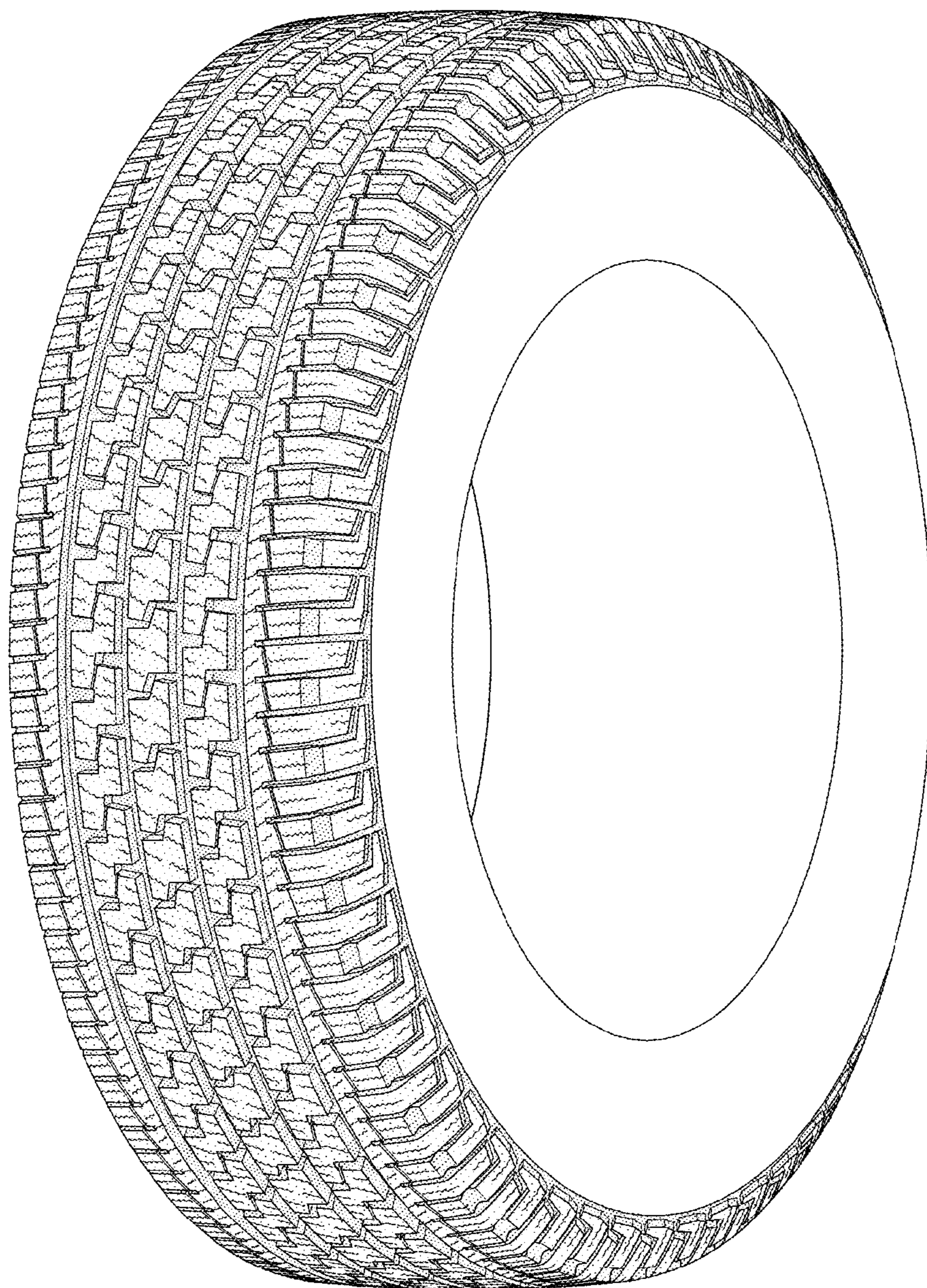


FIG-5

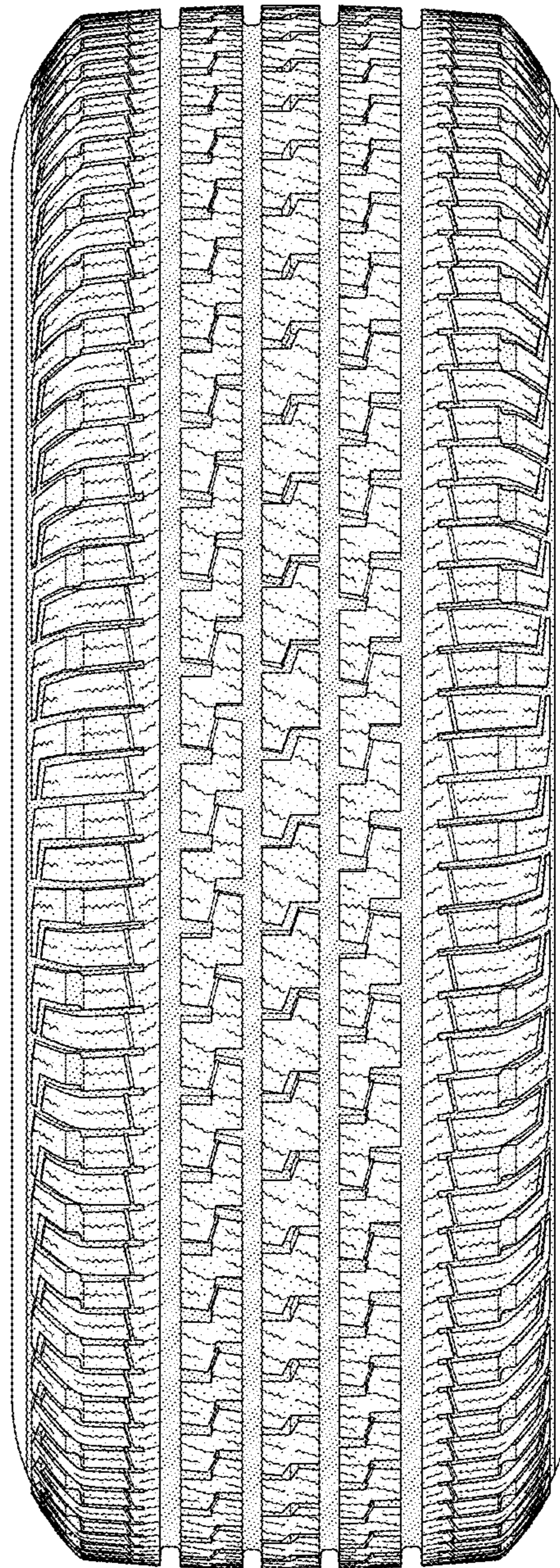


FIG-6