



US00D740209S

(12) **United States Design Patent**
Parr et al.

(10) **Patent No.:** **US D740,209 S**

(45) **Date of Patent:** **** Oct. 6, 2015**

(54) **TIRE TREAD**

(71) Applicant: **Bridgestone Americas Tire Operations, LLC**, Nashville, TN (US)

(72) Inventors: **Richard S. Parr**, Canton, OH (US);
Domenic Giampaolo, Akron, OH (US)

(73) Assignee: **Bridgestone Americas Tire Operations, LLC**, Nashville, TN (US)

(**) Term: **14 Years**

(21) Appl. No.: **29/483,776**

(22) Filed: **Mar. 3, 2014**

(51) **LOC (10) Cl.** **12-15**

(52) **U.S. Cl.**
USPC **D12/584**

(58) **Field of Classification Search**
USPC D12/568-603; 152/209.1-209.9
CPC B60C 1/00; B60C 11/00; B60C 11/03
See application file for complete search history.

(56) **References Cited**

U.S. PATENT DOCUMENTS

D390,517 S	2/1998	Guspodin et al.	
D390,559 S	2/1998	Guspodin et al.	
D390,820 S	2/1998	Guspodin et al.	
D392,605 S	3/1998	Le et al.	
D394,030 S	5/1998	Lassan et al.	
5,753,058 A	5/1998	Fukumoto et al.	
D397,653 S	9/1998	Heinen	
D397,654 S	9/1998	Heinen	
D398,890 S	9/1998	Harpes et al.	
D400,135 S	10/1998	Blankenship et al.	
D400,831 S	11/1998	Blankenship et al.	
D402,240 S	12/1998	Hubbell, Jr.	
D402,935 S	12/1998	Oliver	
D402,937 S	12/1998	Robert	
D403,627 S	1/1999	Graas	
D404,346 S *	1/1999	McKisson D12/585
D405,731 S	2/1999	Custons, Jr. et al.	

D409,532 S	5/1999	Heinen
D411,151 S	6/1999	Hubbell, Jr.
D411,491 S	6/1999	Harden, Jr. et al.
D411,819 S	7/1999	Blankenship et al.
D414,449 S	9/1999	Schuster
D415,450 S	10/1999	Williams
D415,451 S	10/1999	Weber et al.
D418,783 S	1/2000	Lassan et al.
D421,583 S	3/2000	Kemp, Jr.
D421,942 S	3/2000	Fierro et al.
D421,943 S	3/2000	Fierro et al.
D422,246 S	4/2000	Fierro et al.
D422,950 S	4/2000	Williams

(Continued)

FOREIGN PATENT DOCUMENTS

JP	1224020	11/2004
JP	1257829	12/2005
JP	1371280	10/2009

Primary Examiner — George D Kirschbaum

Assistant Examiner — Natasha Vujcic

(74) *Attorney, Agent, or Firm* — Shaun J. Fox

(57) **CLAIM**

The ornamental design for a tire tread, as shown and described.

DESCRIPTION

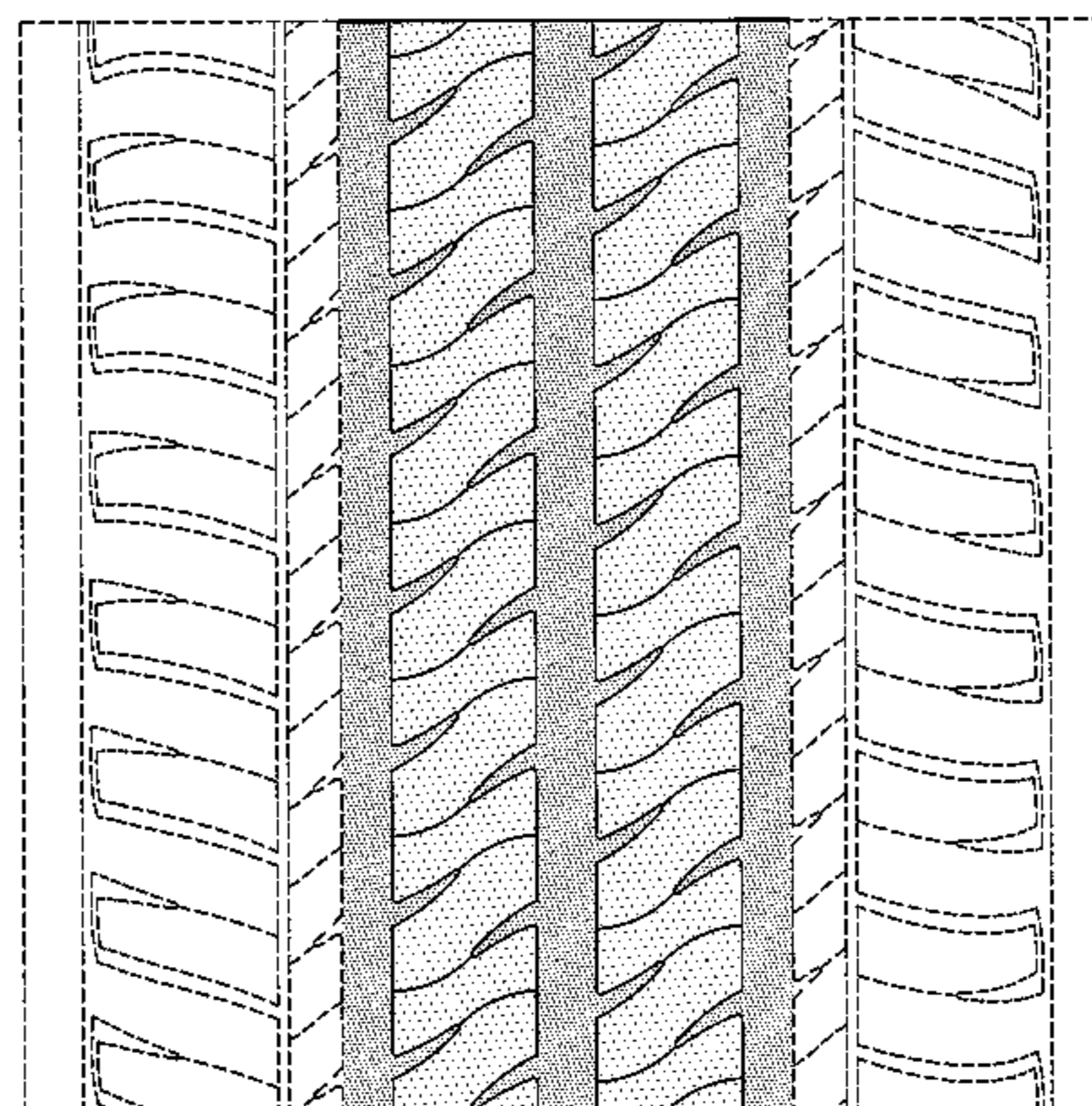
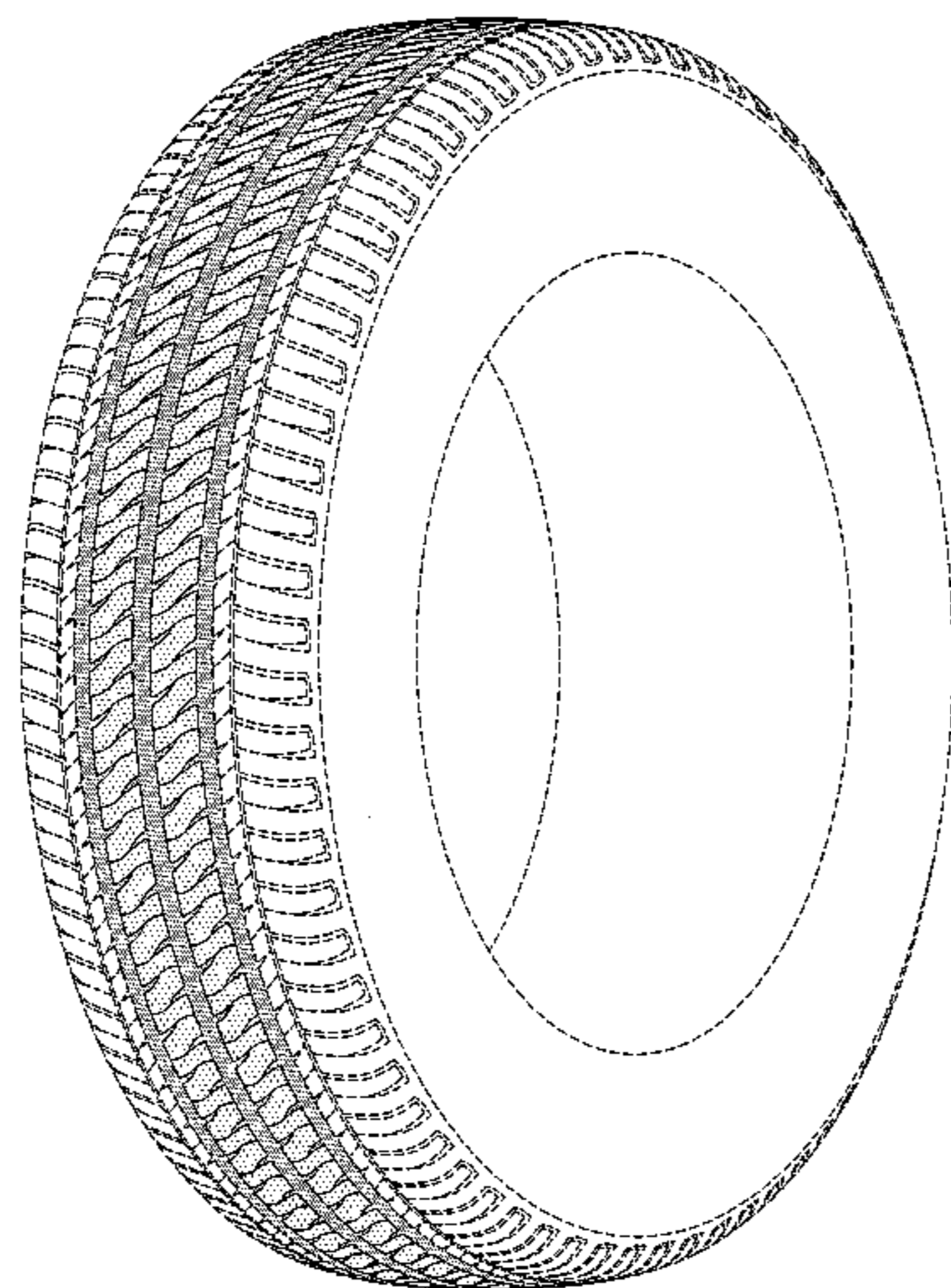
FIG. 1 is a side perspective view of a tire tread showing our new design, it being understood that the tread pattern is repeated throughout the circumference of the tire tread, the opposite side being the same as that shown;

FIG. 2 is a front elevational view thereof, the opposite side being identical thereto; and,

FIG. 3 is an enlarged fragmentary front elevational view thereof.

The broken lines defining the shoulder rib, sidewall, inner bead, and the peripheral boundary between the claimed tire tread and the shoulder rib depict environmental subject matter that forms no part of the claimed design.

1 Claim, 3 Drawing Sheets



(56)

References Cited

U.S. PATENT DOCUMENTS

D423,423 S	4/2000	Guspodin et al.	7,878,228 B2	2/2011	Ito
D426,502 S	6/2000	O'Neill et al.	D633,433 S	3/2011	Sieber et al.
D426,795 S	6/2000	Oliver	D634,261 S	3/2011	Schmalix et al.
D428,368 S	7/2000	Harris et al.	D637,145 S	5/2011	Lippert et al.
D430,082 S	8/2000	Blankenship et al.	D637,148 S	5/2011	Tamura
6,102,092 A	8/2000	Radulescu	D637,149 S	5/2011	Yamaguchi
6,116,309 A	9/2000	Gillard et al.	D637,150 S	5/2011	Koshio
D432,959 S	10/2000	Lopez	D637,546 S	5/2011	Yonetsu
6,142,200 A	11/2000	Feider et al.	D638,781 S	5/2011	Osaka
D437,264 S	2/2001	Lassan et al.	D638,782 S	5/2011	Osaka
D445,369 S	7/2001	Dumigan et al.	D639,722 S	6/2011	Sieber et al.
D445,370 S	7/2001	Allison	D640,625 S	6/2011	Nobunaga
D445,371 S	7/2001	Allison	D641,308 S	7/2011	Kojima
D445,377 S	7/2001	Fantanzo et al.	D641,309 S	7/2011	Takada
D445,378 S	7/2001	Regallis et al.	D641,310 S	7/2011	Larregain
D445,380 S	7/2001	Fantanzo et al.	D641,685 S *	7/2011	Youn D12/584
D445,731 S	7/2001	Fantanzo et al.	7,980,280 B2	7/2011	Ohara
D446,172 S	8/2001	Regallis	D642,975 S	8/2011	Givens et al.
6,286,573 B1	9/2001	Hine	D643,800 S	8/2011	Riswanda
D450,270 S	11/2001	Baker	D643,804 S	8/2011	Dixon et al.
D451,865 S	12/2001	Clark et al.	8,006,730 B2	8/2011	Ohara
D452,199 S	12/2001	Robert et al.	D644,592 S	9/2011	Grabo et al.
D454,331 S	3/2002	Fierro et al.	D644,598 S	9/2011	Yokomakura
D455,394 S	4/2002	Lassan et al.	D646,217 S	10/2011	Muto
D458,582 S	6/2002	Rodicq et al.	D646,626 S	10/2011	Murata
D459,291 S	6/2002	Ratliff, Jr. et al.	D647,037 S	10/2011	Lo
D460,406 S	7/2002	Guspodin	D647,454 S	10/2011	Fabing et al.
D461,765 S	8/2002	Nonaka	D647,456 S	10/2011	Behr
D485,231 S	1/2004	Nonaka	D647,459 S	10/2011	Bervas et al.
D487,249 S	3/2004	Okamoto	D648,265 S	11/2011	Kim et al.
6,715,522 B1	4/2004	Wada	D648,667 S	11/2011	Yonetsu
D497,875 S	11/2004	Le et al.	D648,671 S	11/2011	Nobunaga
D498,458 S	11/2004	Lee et al.	D651,553 S	1/2012	Knowles et al.
D499,694 S	12/2004	Osaki et al.	D651,556 S	1/2012	Westaway
6,868,879 B2	3/2005	Radulescu	D654,013 S	2/2012	Yonetsu
D505,387 S	5/2005	Nonaka	D654,848 S	2/2012	Yonetsu
D512,683 S	12/2005	Dumigan et al.	D656,083 S	3/2012	Mukai
D517,470 S	3/2006	Welbes	D658,116 S	4/2012	Chen
D524,721 S	7/2006	Dumigan et al.	D659,083 S	5/2012	Nguyen et al.
D531,111 S	10/2006	Fukunaga	D661,247 S	6/2012	Sareen
7,114,540 B2	10/2006	Miyazaki	D662,458 S	6/2012	De Benedittis et al.
D535,940 S	1/2007	Lee et al.	D663,680 S	7/2012	Westaway
7,207,364 B2	4/2007	Hildebrand	D666,551 S	9/2012	Schmidt-Zum Berge et al.
D554,054 S	10/2007	Welbes et al.	D666,964 S	9/2012	Ishida et al.
D563,861 S	3/2008	Foucher	D666,967 S	9/2012	Sareen
D564,957 S	3/2008	Yoshida et al.	D667,360 S	9/2012	Ishida et al.
D566,040 S	4/2008	Diensthuber et al.	D667,779 S	9/2012	Murphy et al.
D579,865 S	11/2008	Matsuyama et al.	D667,781 S	9/2012	Georges et al.
D580,848 S	11/2008	Hutz	D668,209 S	10/2012	De Benedittis et al.
D584,213 S	1/2009	Shinkai	D669,841 S	10/2012	Kiwaki
D584,680 S	1/2009	Hutz	D670,237 S	11/2012	Maxwell et al.
D597,023 S	7/2009	Park	8,302,644 B2	11/2012	Takahashi
D604,231 S	11/2009	Hada	D673,897 S	1/2013	Krier
D605,580 S	12/2009	Williams	D674,739 S	1/2013	Georges et al.
D605,581 S	12/2009	Yamaguchi et al.	D675,149 S	1/2013	Bruneau et al.
D608,725 S	1/2010	Ohara	D675,979 S	2/2013	Ohara
D609,165 S	2/2010	Fujioka	D676,373 S	2/2013	Bachtel et al.
D609,175 S	2/2010	Feider et al.	D676,800 S	2/2013	Buchinger-Barnstorf
D613,236 S *	4/2010	Guspodin et al. D12/582	D676,801 S	2/2013	Scheifele
D613,238 S	4/2010	Harvey et al.	D677,215 S	3/2013	Nakamura
D614,120 S	4/2010	Marella et al.	D677,617 S	3/2013	Hayashi
D615,026 S	5/2010	Nakano	D680,058 S	4/2013	Takei
D615,480 S	5/2010	Jacobs	D684,524 S	6/2013	Ohashi
D615,482 S	5/2010	Nakano	D688,196 S *	8/2013	Fujita D12/585
D619,958 S	7/2010	Maxwell	D700,131 S *	2/2014	Miyazaki D12/582
D621,779 S	8/2010	Yonetsu	D700,884 S *	3/2014	Herbeuval et al. D12/584
D624,009 S	9/2010	Vandaele et al.	D706,708 S *	6/2014	Fontaine et al. D12/583
D624,871 S	10/2010	Behr	D726,104 S *	4/2015	Scheifele D12/603
D626,910 S	11/2010	Bott et al.	D730,812 S *	6/2015	Kato D12/601
D627,711 S	11/2010	Grote	2007/0151646 A1	7/2007	Ito
7,836,926 B2	11/2010	Suzuki	2012/0234442 A1	9/2012	Mayni
D629,739 S	12/2010	Youn	2013/0000803 A1	1/2013	Fugier
D630,998 S	1/2011	Schmalix et al.	2013/0126060 A1	5/2013	Oblizajek et al.
			2013/0153100 A1	6/2013	Piffard et al.

* cited by examiner

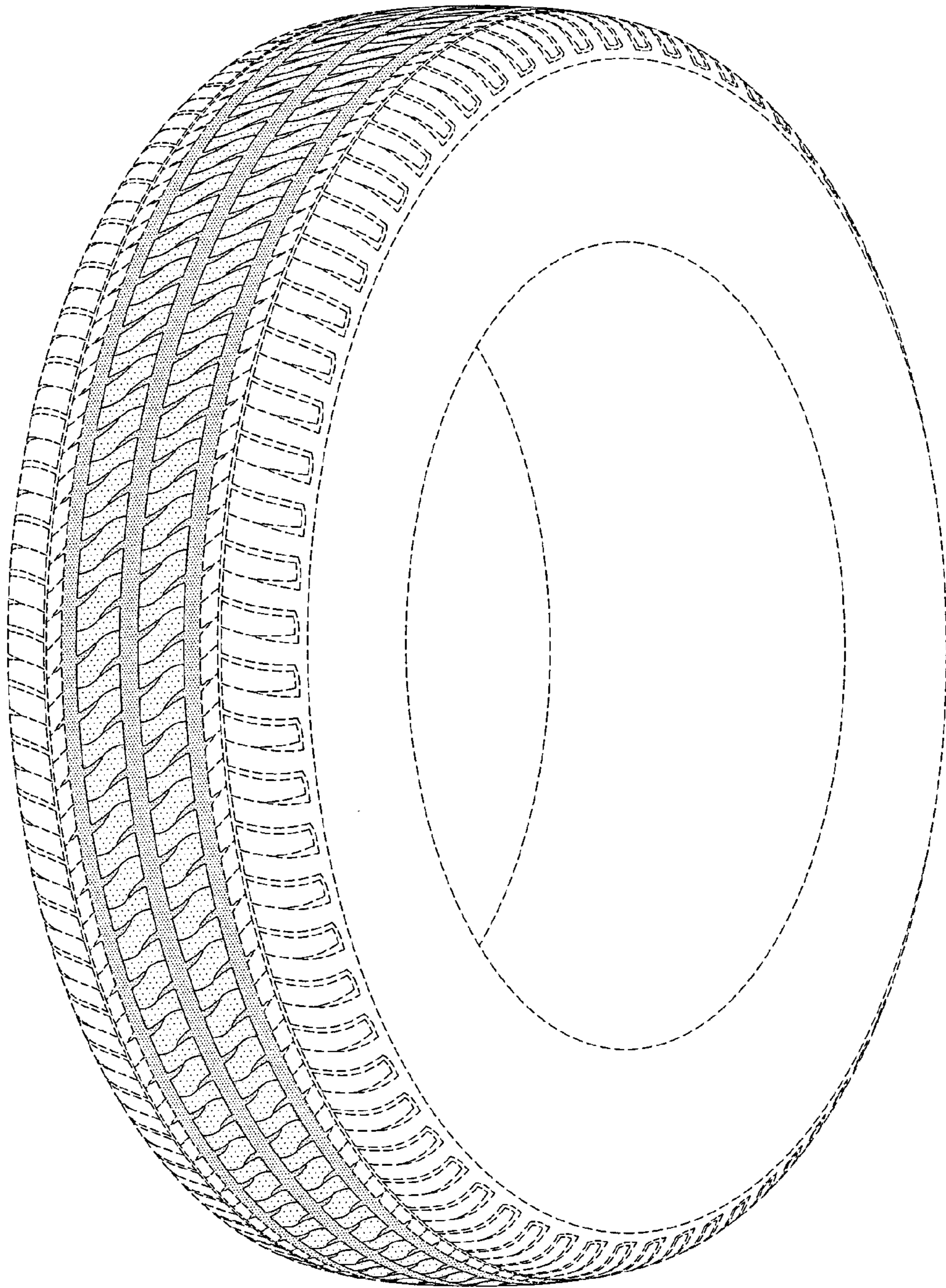


FIG-1

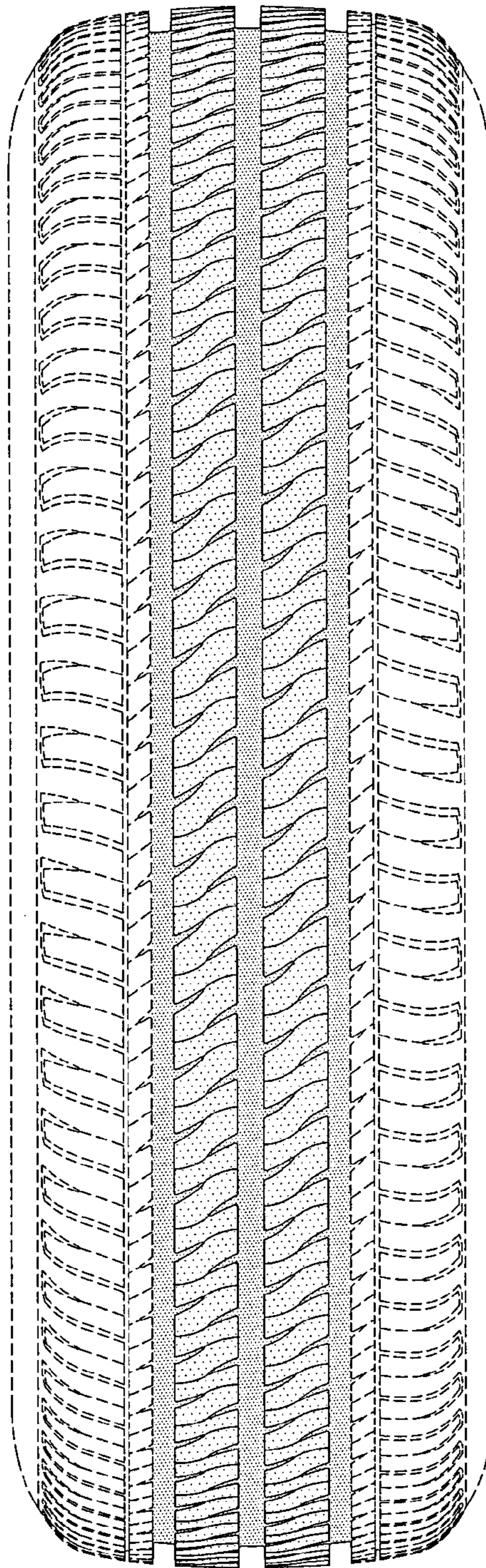


FIG-2

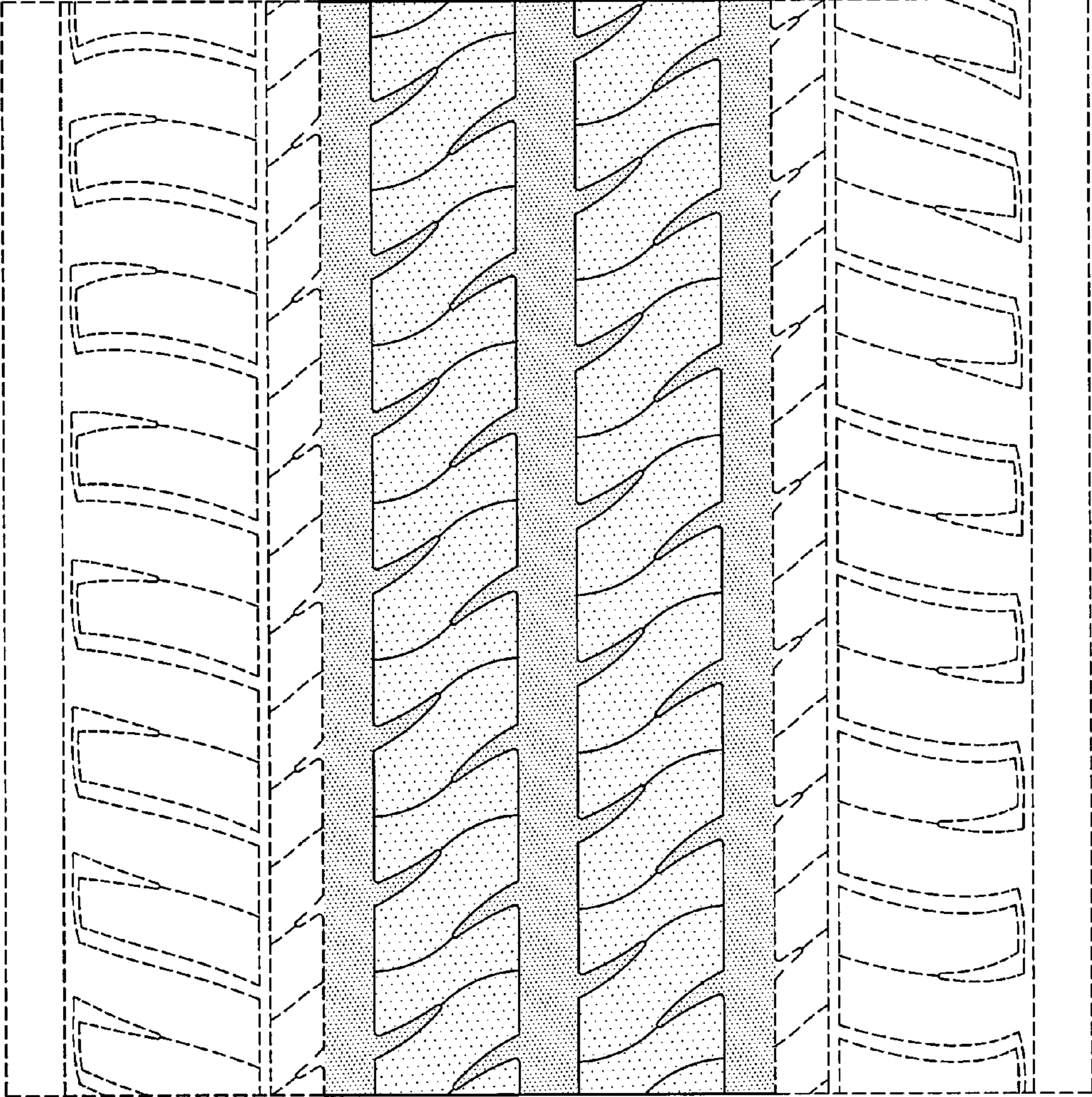


FIG-3