



US00D740203S

(12) **United States Design Patent**
Bouffanais et al.

(10) **Patent No.:** **US D740,203 S**
(45) **Date of Patent:** **** Oct. 6, 2015**

(54) **FORWARD NOSE SECTION WITH HALF RECESSED WINDOW**

(71) Applicant: **DASSAULT AVIATION**, Paris (FR)

(72) Inventors: **Fabien Bouffanais**, Chatenay-Malabry (FR); **Benoît De Maqueville**, Saint Andre de Cubzac (FR); **Olivier Gavouyere**, Boulogne-Billancourt (FR); **Zdenek Johan**, Garches (FR)

(73) Assignee: **DASSAULT AVIATION**, Paris (FR)

(**) Term: **14 Years**

(21) Appl. No.: **29/460,105**

(22) Filed: **Jul. 8, 2013**

(30) **Foreign Application Priority Data**

Jan. 7, 2013 (EM) 001356570-0002

(51) **LOC (10) Cl.** **12-07**

(52) **U.S. Cl.**
USPC **D12/345**

(58) **Field of Classification Search**
USPC D12/319-345, 182, 183, 196
CPC B64C 1/00; B64C 1/14; B64C 1/1476;
B64C 1/1492; B60J 1/00; B60J 1/02; B60J
1/08; B60J 1/10; B60J 1/18
See application file for complete search history.

(56) **References Cited**

U.S. PATENT DOCUMENTS

D139,858 S * 12/1944 Hoglin D12/345
2,708,136 A * 5/1955 Norris 296/64
3,618,881 A * 11/1971 Fellers et al. 244/121

3,924,826 A * 12/1975 Reinert 244/129.3
4,160,534 A * 7/1979 White 244/135 A
4,264,044 A * 4/1981 White 244/135 A
D273,005 S * 3/1984 McComas D12/335
D277,841 S * 3/1985 Smith et al. D12/183
D286,277 S * 10/1986 Biondo D12/196
D369,774 S * 5/1996 Rice D12/196
D580,846 S * 11/2008 Bladt et al. D12/345
7,967,253 B2 * 6/2011 Ferguson et al. 244/130

* cited by examiner

Primary Examiner — Martie K Holtje

(74) *Attorney, Agent, or Firm* — Stephen J. Weyer; Stites & Harbison PLLC

(57) **CLAIM**

The ornamental design for a forward nose section with half recessed window, as shown and described.

DESCRIPTION

FIG. 1 is a front, top and right side perspective view of a forward nose section with half recessed window showing the new design.

FIG. 2 is a front view thereof.

FIG. 3 is a top view thereof.

FIG. 4 is a left side view thereof, the right side view being a mirror image thereof.

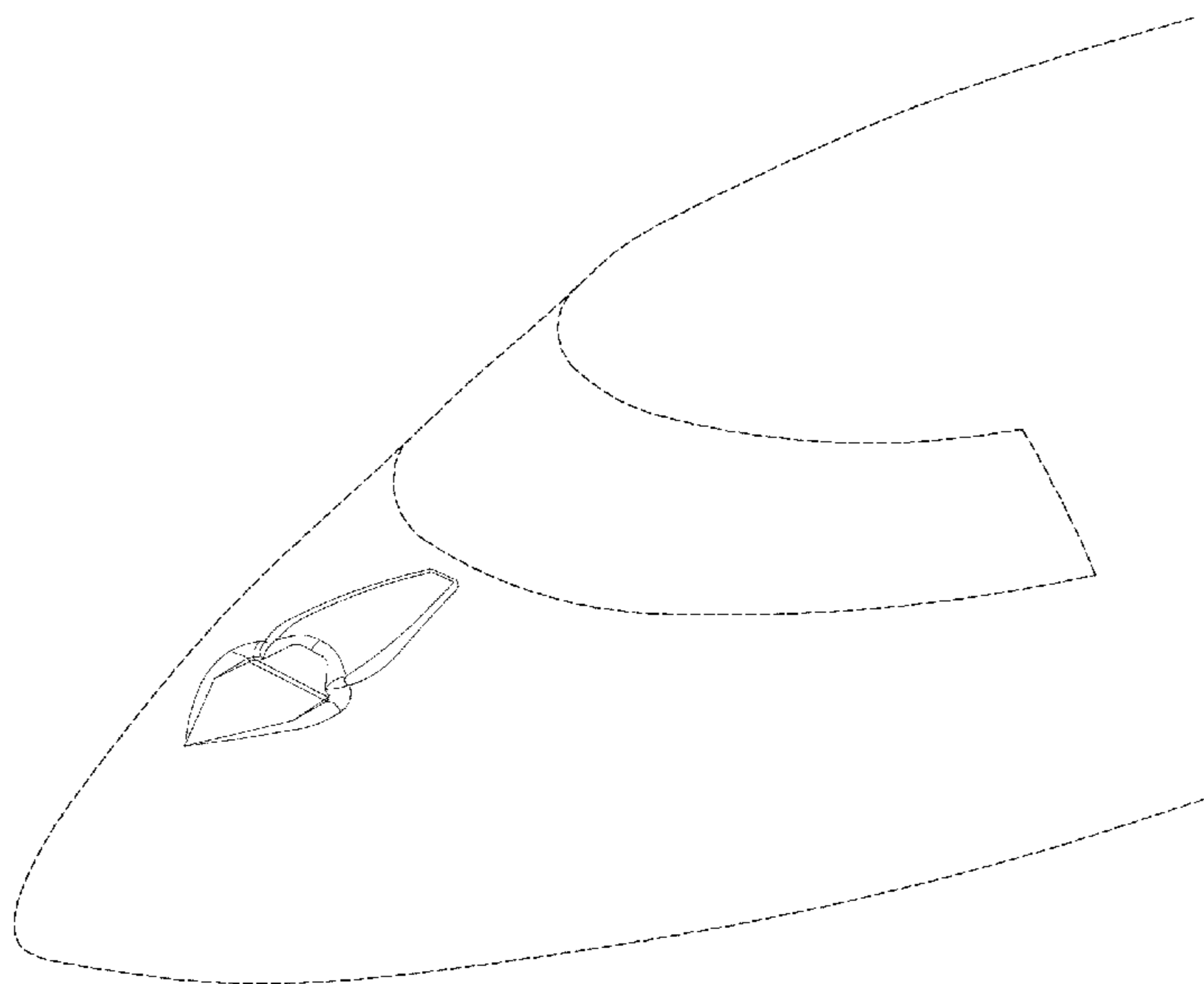
FIG. 5 is an enlarged front, top and right side perspective view thereof.

FIG. 6 is an enlarged front view thereof; and,

FIG. 7 is an enlarged left side view thereof.

The broken lines in FIGS. 1-7 showing of a plane is for the purpose of illustrating the environment of use and forms no part of the claimed design.

1 Claim, 7 Drawing Sheets



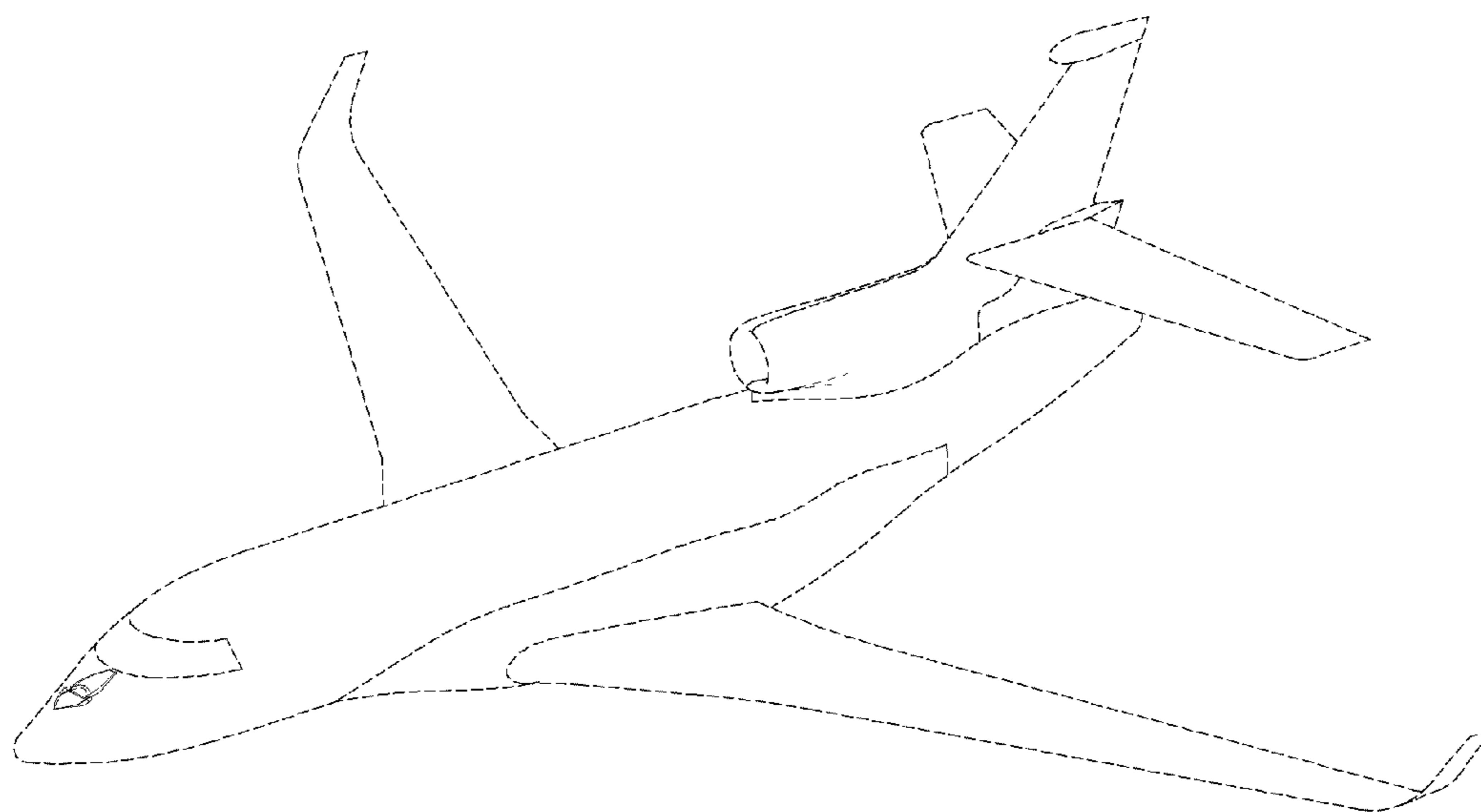


FIG. 1

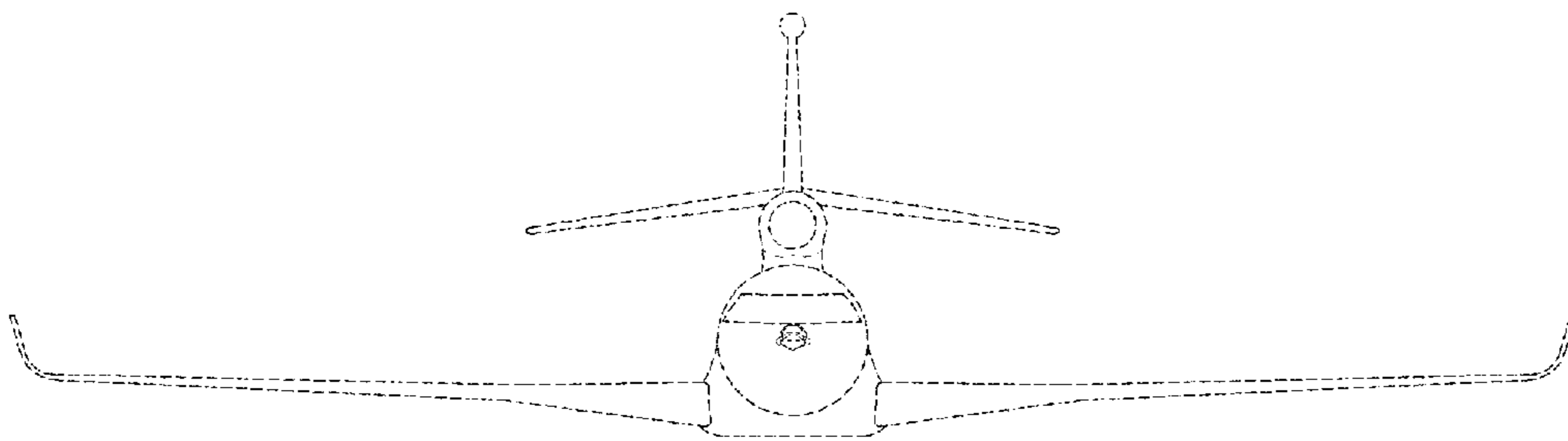


FIG. 2

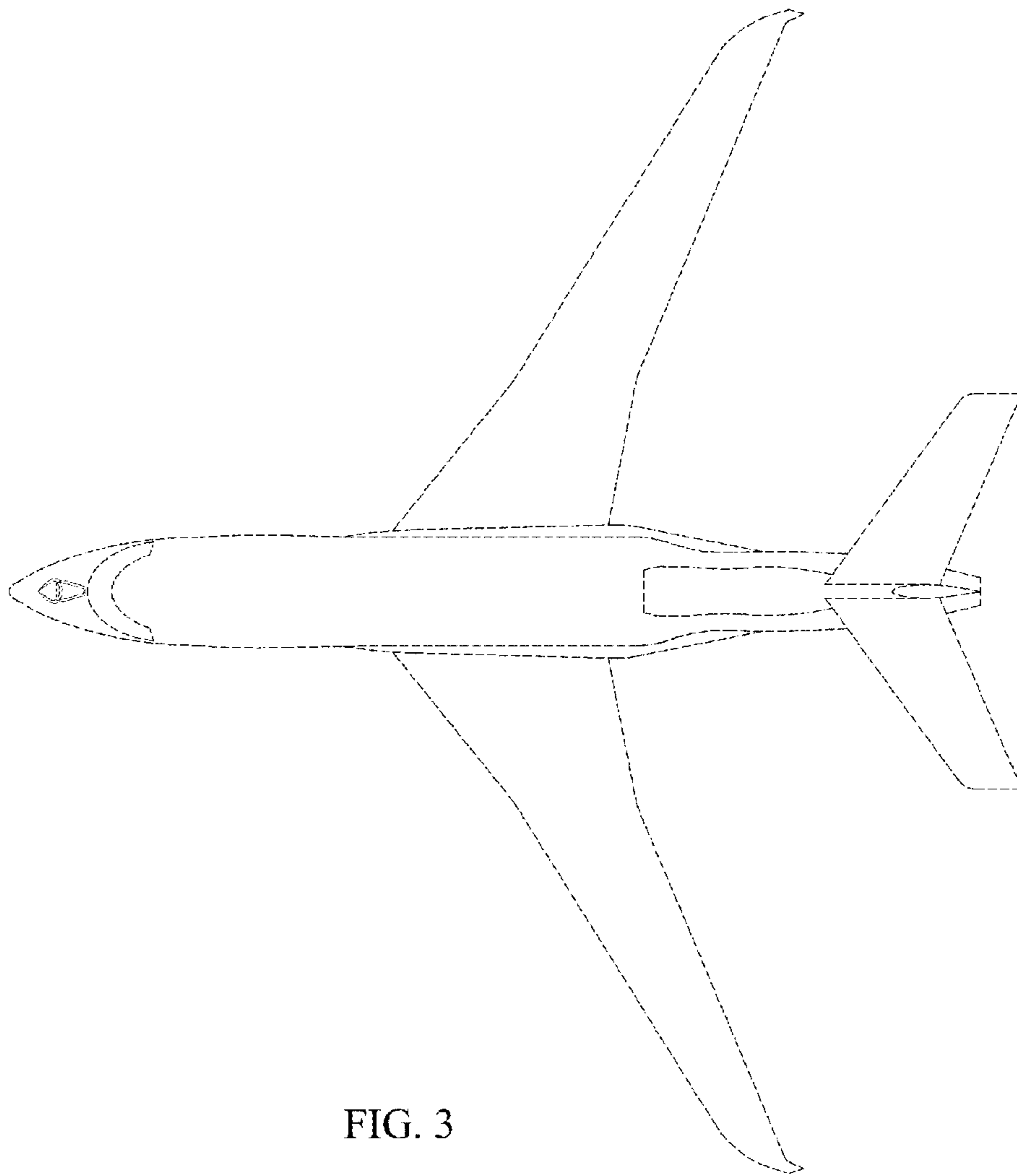


FIG. 3

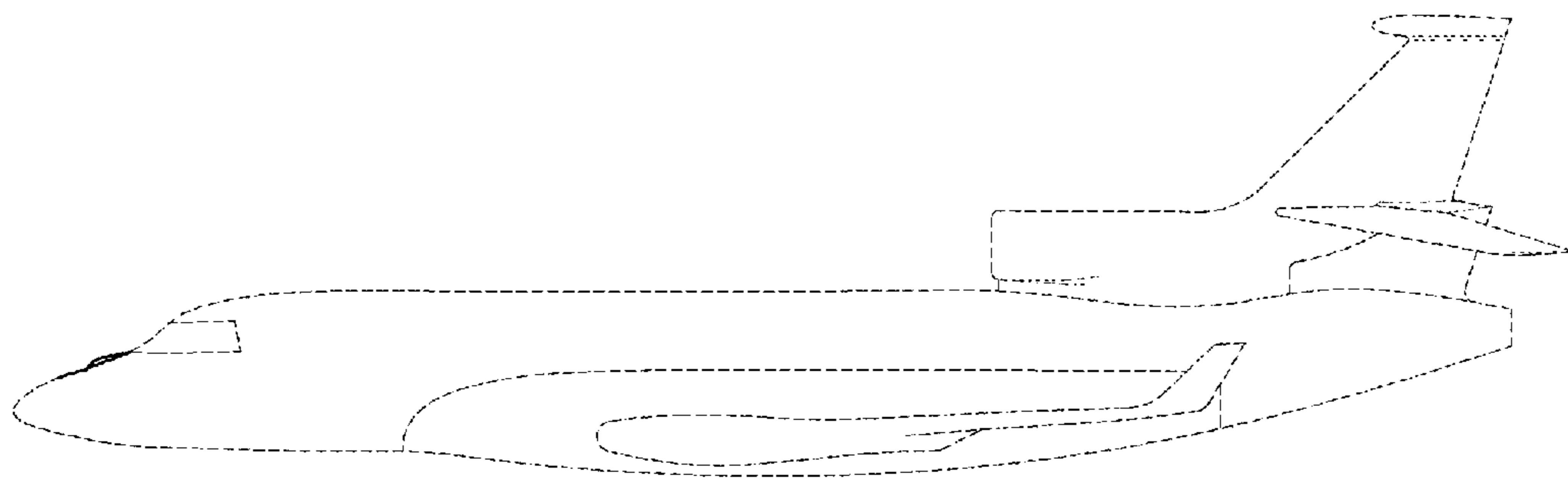


FIG. 4

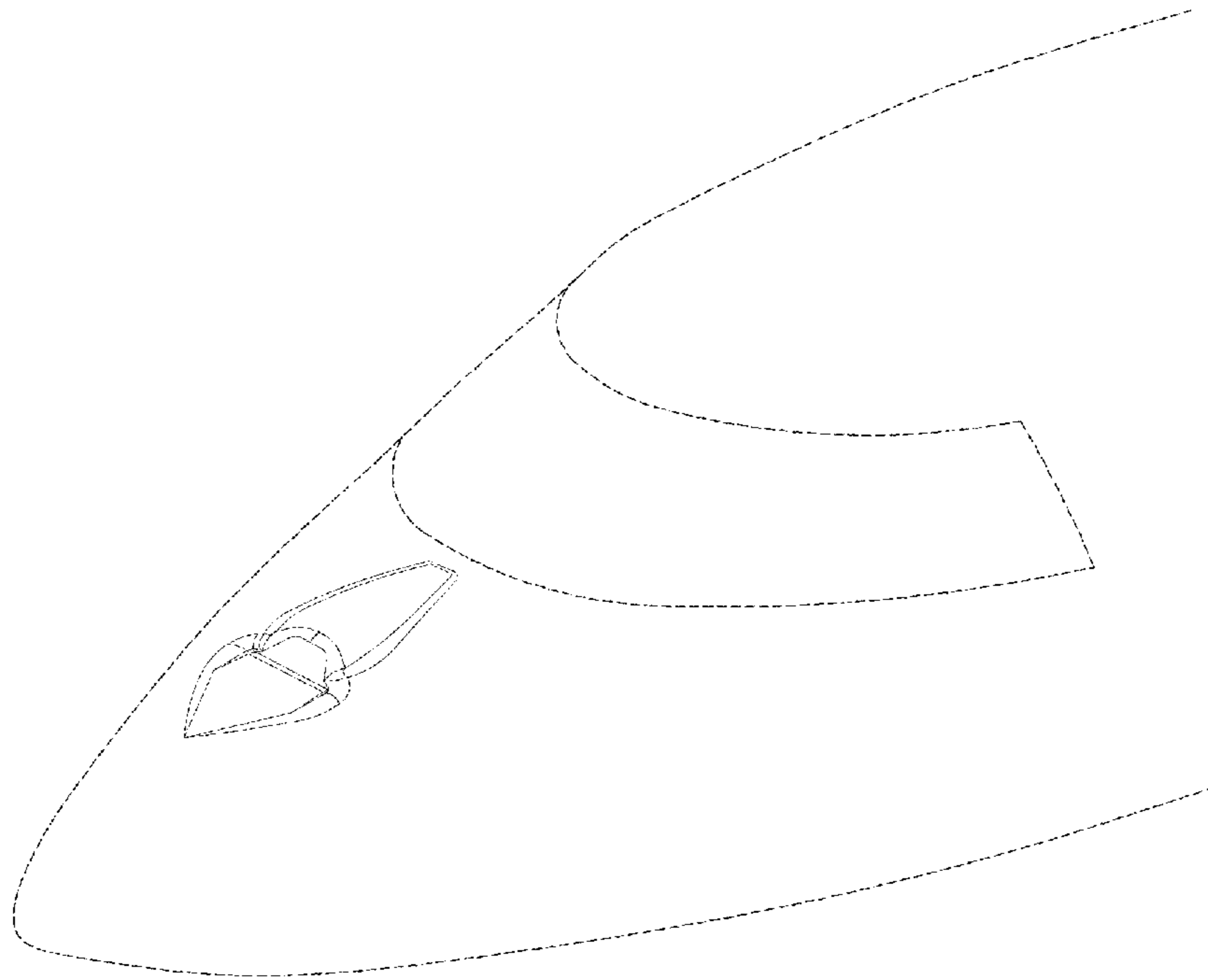


FIG. 5

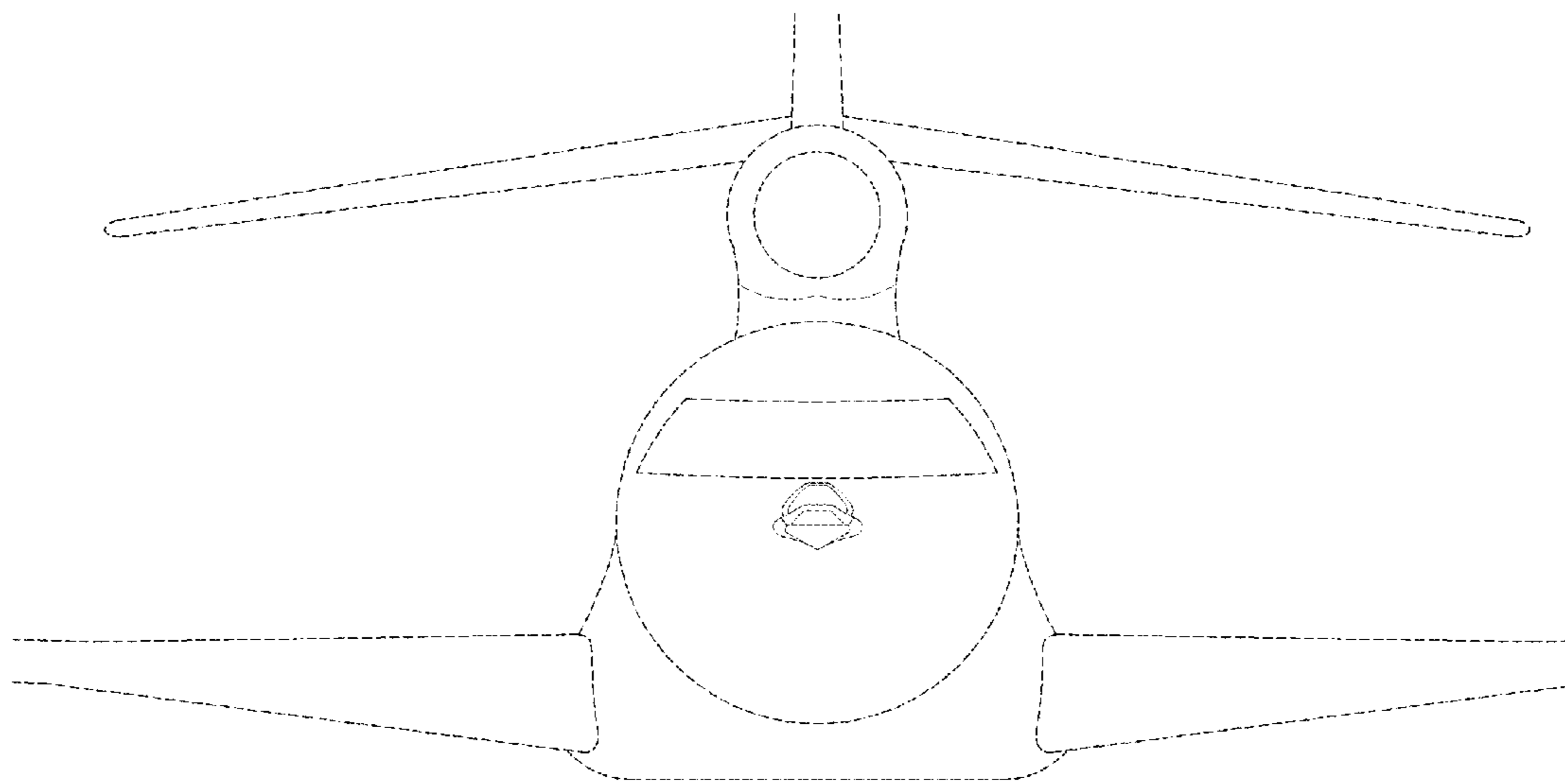


FIG. 6

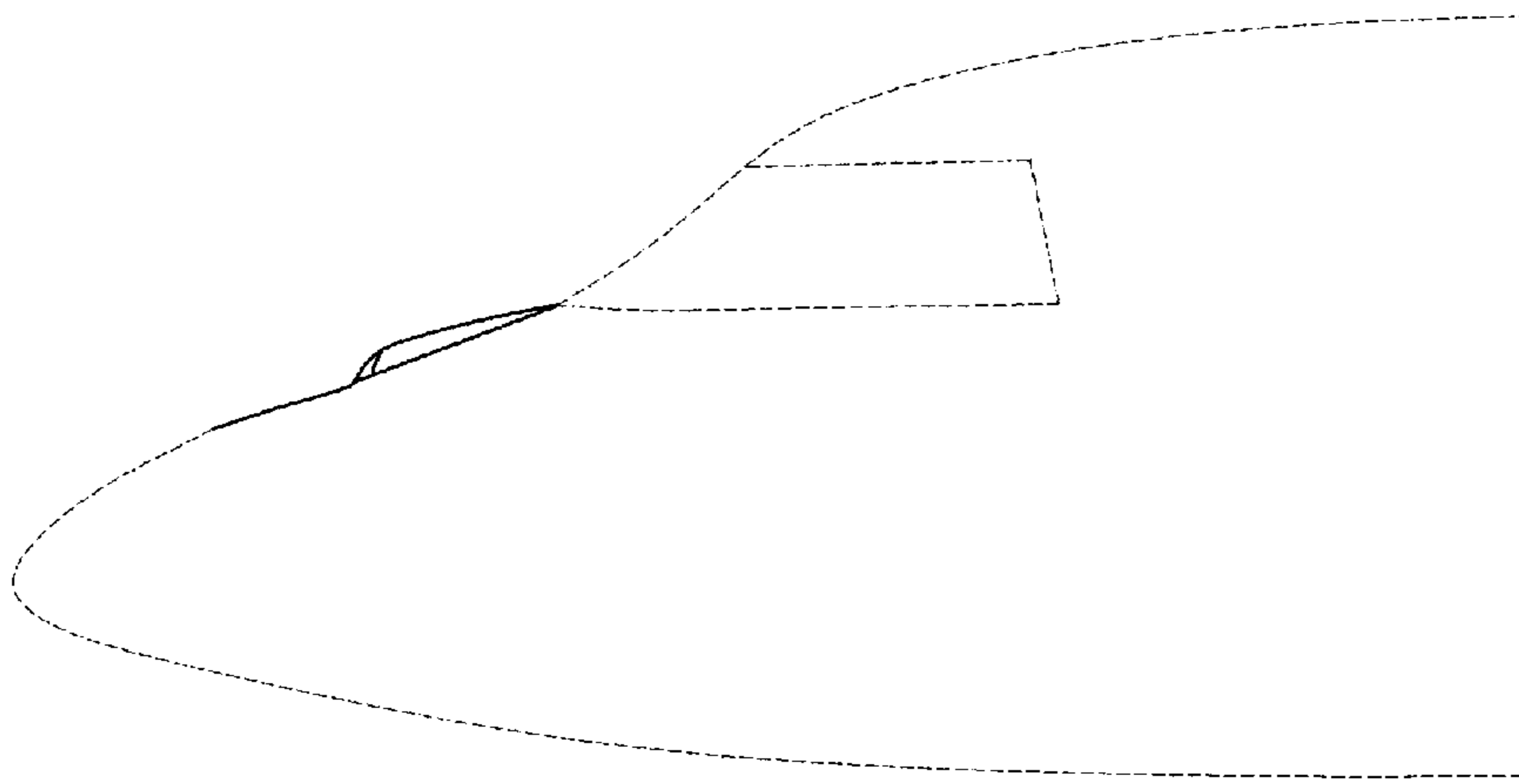


FIG. 7