



US00D740202S

(12) **United States Design Patent**  
**Bouffanais et al.**

(10) **Patent No.:** **US D740,202 S**  
(45) **Date of Patent:** **\*\* Oct. 6, 2015**

(54) **FORWARD NOSE SECTION WITH RECESSED WINDOW**

(71) Applicant: **DASSAULT AVIATION**, Paris (FR)

(72) Inventors: **Fabien Bouffanais**, Chatenay-Malabry (FR); **Benoît de Maqueville**, Saint Andre de Cubzac (FR); **Olivier Gavouyere**, Boulogne-Billancourt (FR); **Zdenek Johan**, Garches (FR)

(73) Assignee: **DASSAULT AVIATION**, Paris (FR)

(\*\*) Term: **14 Years**

(21) Appl. No.: **29/460,104**

(22) Filed: **Jul. 8, 2013**

(30) **Foreign Application Priority Data**

Jan. 7, 2013 (EM) ..... 001356570-0001

(51) **LOC (10) Cl.** ..... **12-07**

(52) **U.S. Cl.**  
USPC ..... **D12/345**

(58) **Field of Classification Search**  
USPC ..... D12/319-345, 182, 183, 196  
CPC ..... B64C 1/00; B64C 1/14; B64C 1/1476;  
B64C 1/1492; B60J 1/00; B60J 1/02; B60J 1/08; B60J 1/10; B60J 1/18  
See application file for complete search history.

(56) **References Cited**

**U.S. PATENT DOCUMENTS**

2,708,136 A \* 5/1955 Norris ..... 296/64  
2,760,898 A \* 8/1956 Voelker ..... 156/252

3,924,826 A *	12/1975	Reinert	.....	244/129.3
D251,726 S *	5/1979	Smith et al.	.....	D12/183
4,160,534 A *	7/1979	White	.....	244/135 A
4,264,044 A *	4/1981	White	.....	244/135 A
D277,841 S *	3/1985	Smith et al.	.....	D12/183
D286,277 S *	10/1986	Biondo	.....	D12/196
D289,994 S *	5/1987	McNab et al.	.....	D12/345
D369,774 S *	5/1996	Rice	.....	D12/196
D371,757 S *	7/1996	Rice	.....	D12/196
D616,354 S *	5/2010	Saint-Jalmes et al.	.....	D12/345
7,967,253 B2 *	6/2011	Ferguson et al.	.....	244/130

\* cited by examiner

*Primary Examiner* — Martie K Holtje

(74) *Attorney, Agent, or Firm* — Stephen J. Weyer; Stites & Harbison PLLC

(57) **CLAIM**

The ornamental design for a forward nose section with recessed window, as shown and described.

**DESCRIPTION**

FIG. 1 is a front, top and right side perspective view of a forward nose section with recessed window showing the new design.

FIG. 2 is a front view thereof.

FIG. 3 is a top view thereof.

FIG. 4 is a left side view thereof, the right side view being a mirror image thereof.

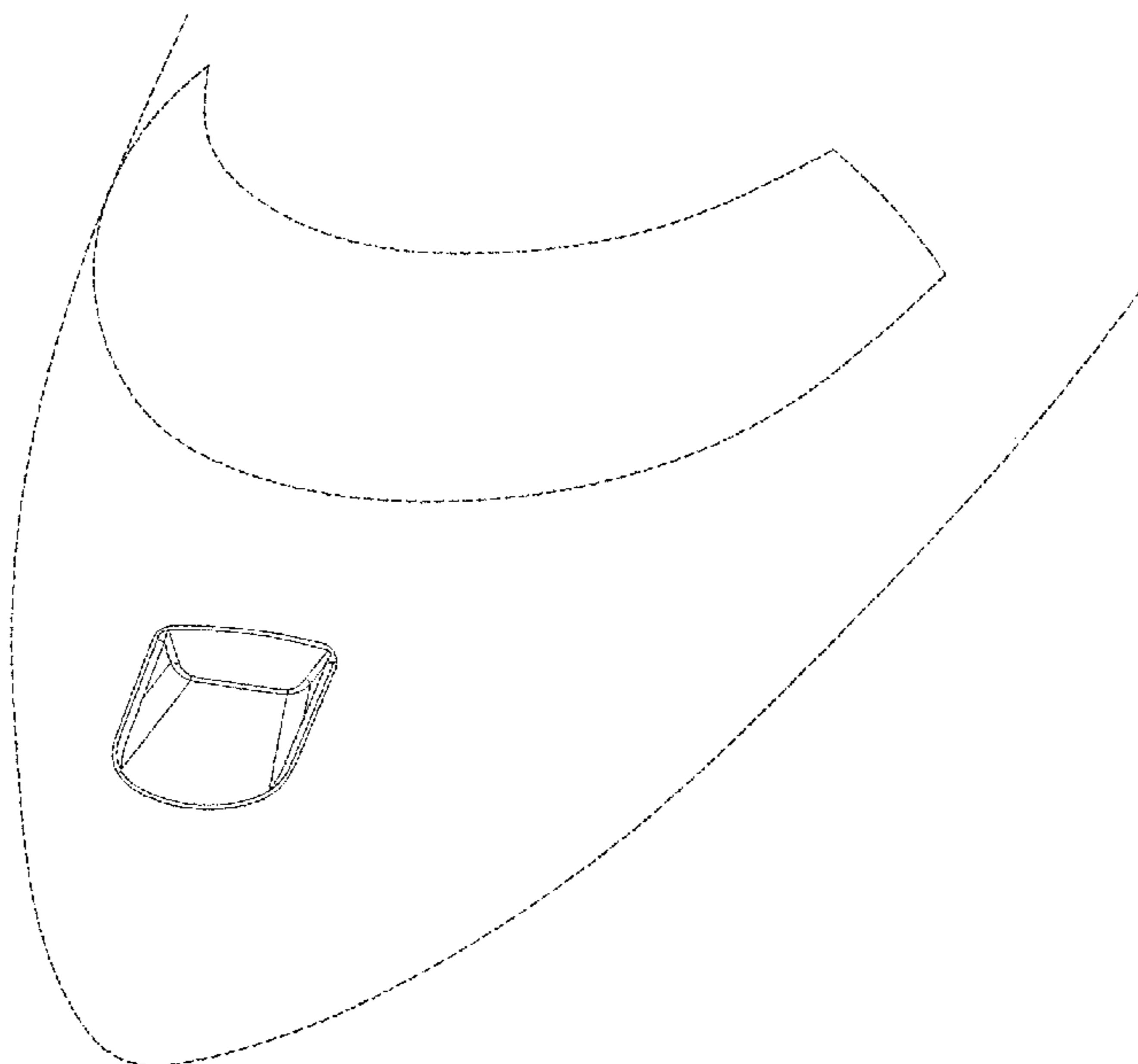
FIG. 5 is an enlarged front, top and right side perspective view thereof.

FIG. 6 is an enlarged front view thereof; and,

FIG. 7 is an enlarged left side view thereof.

The broken lines in FIGS. 1-7 showing of a plane is for the purpose of illustrating the environment of use and forms no part of the claimed design.

**1 Claim, 7 Drawing Sheets**



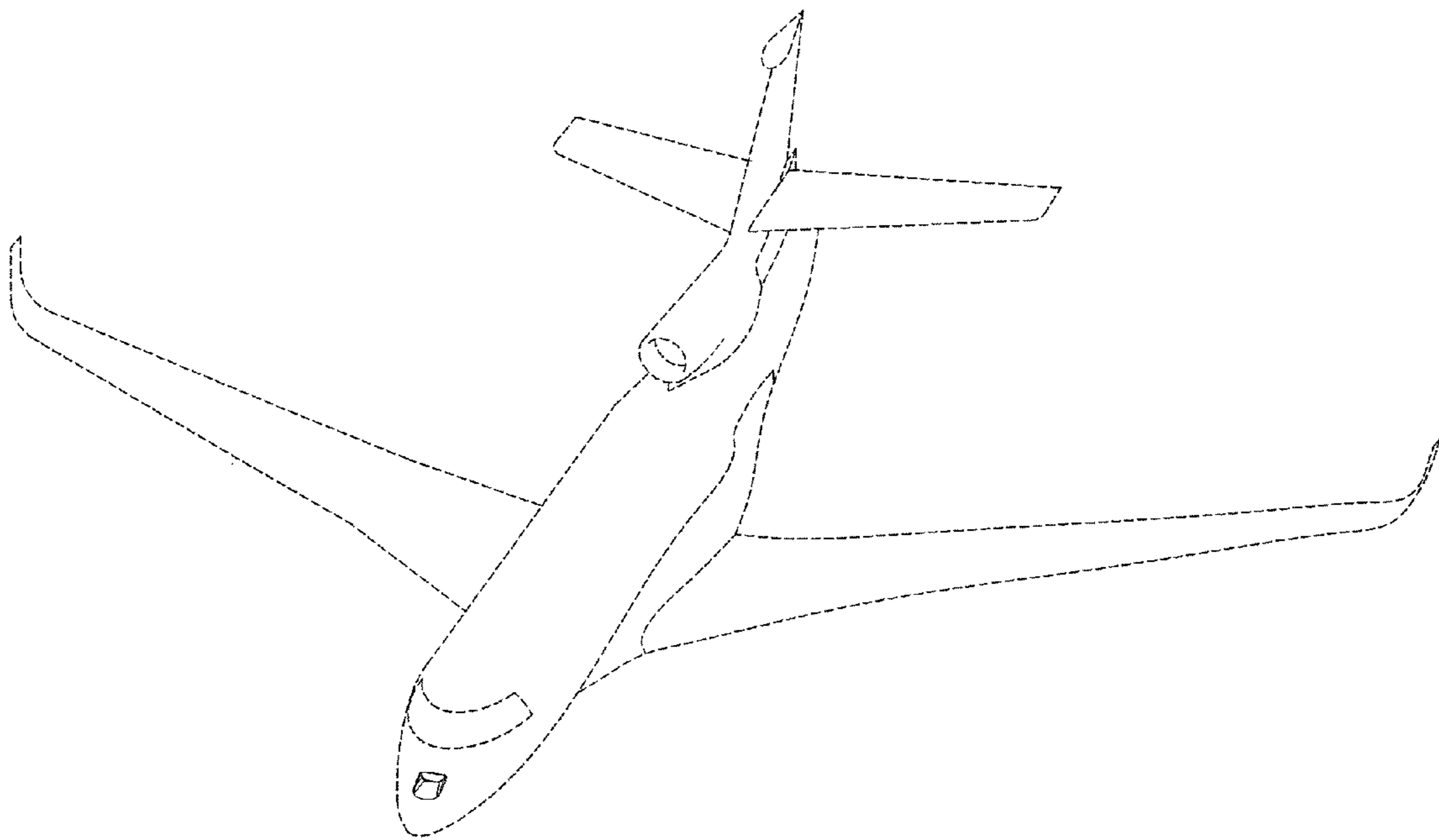


FIG. 1

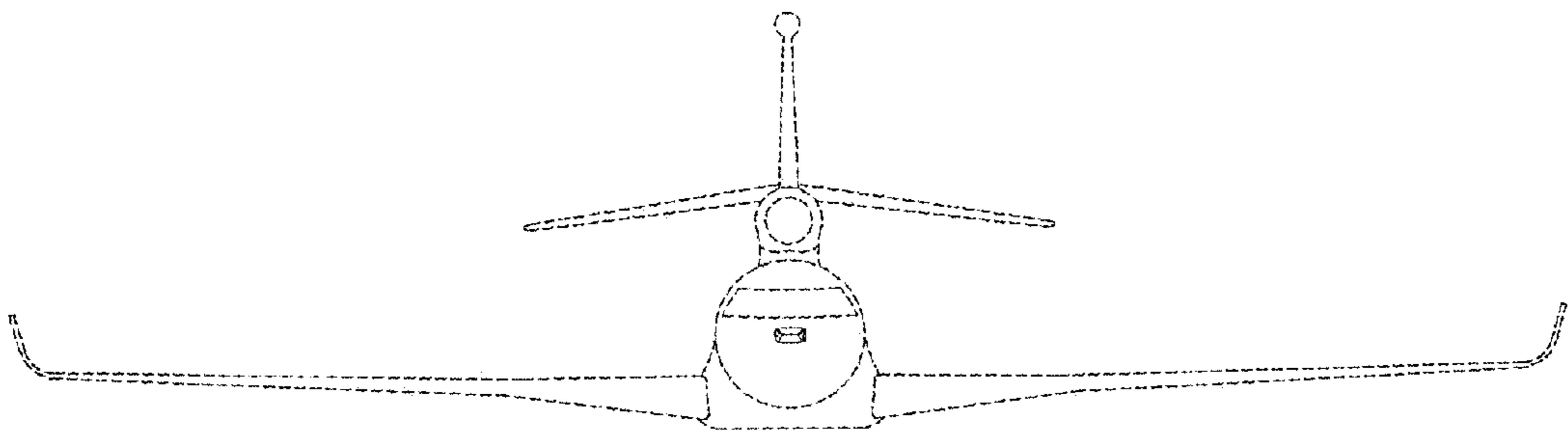


FIG. 2

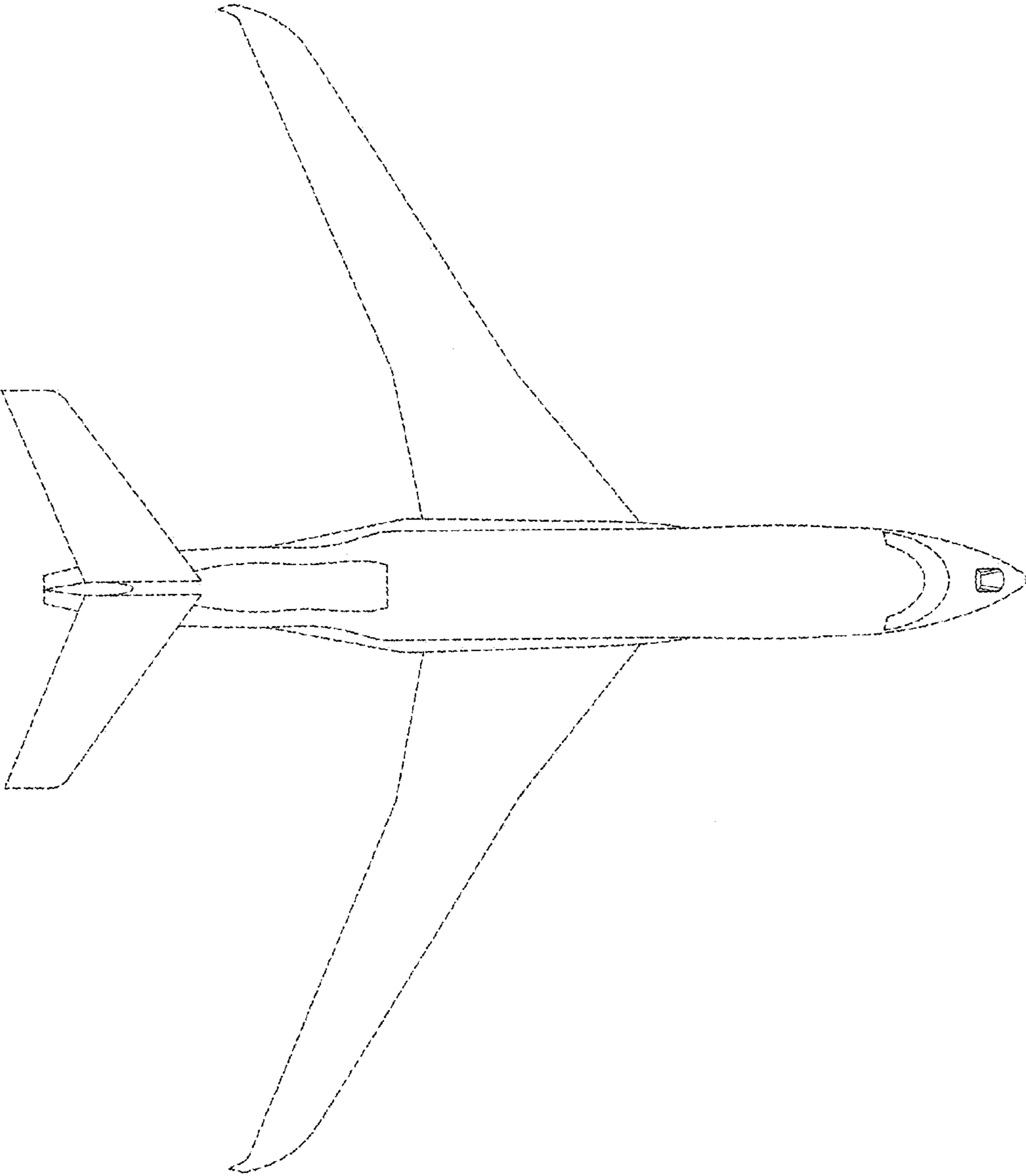


FIG. 3

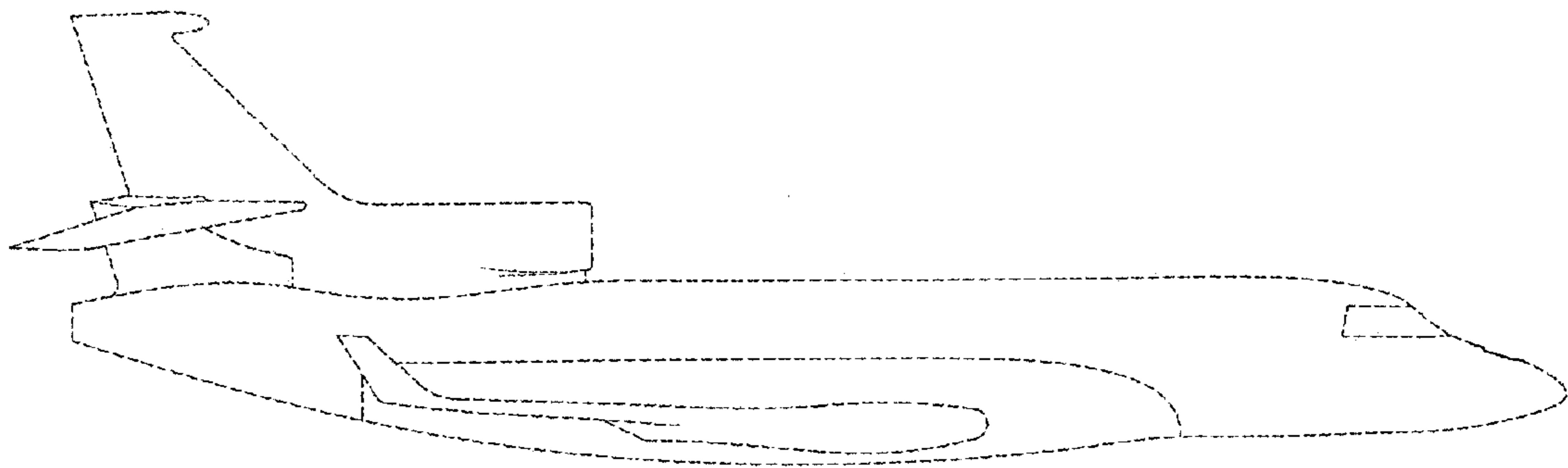


FIG. 4

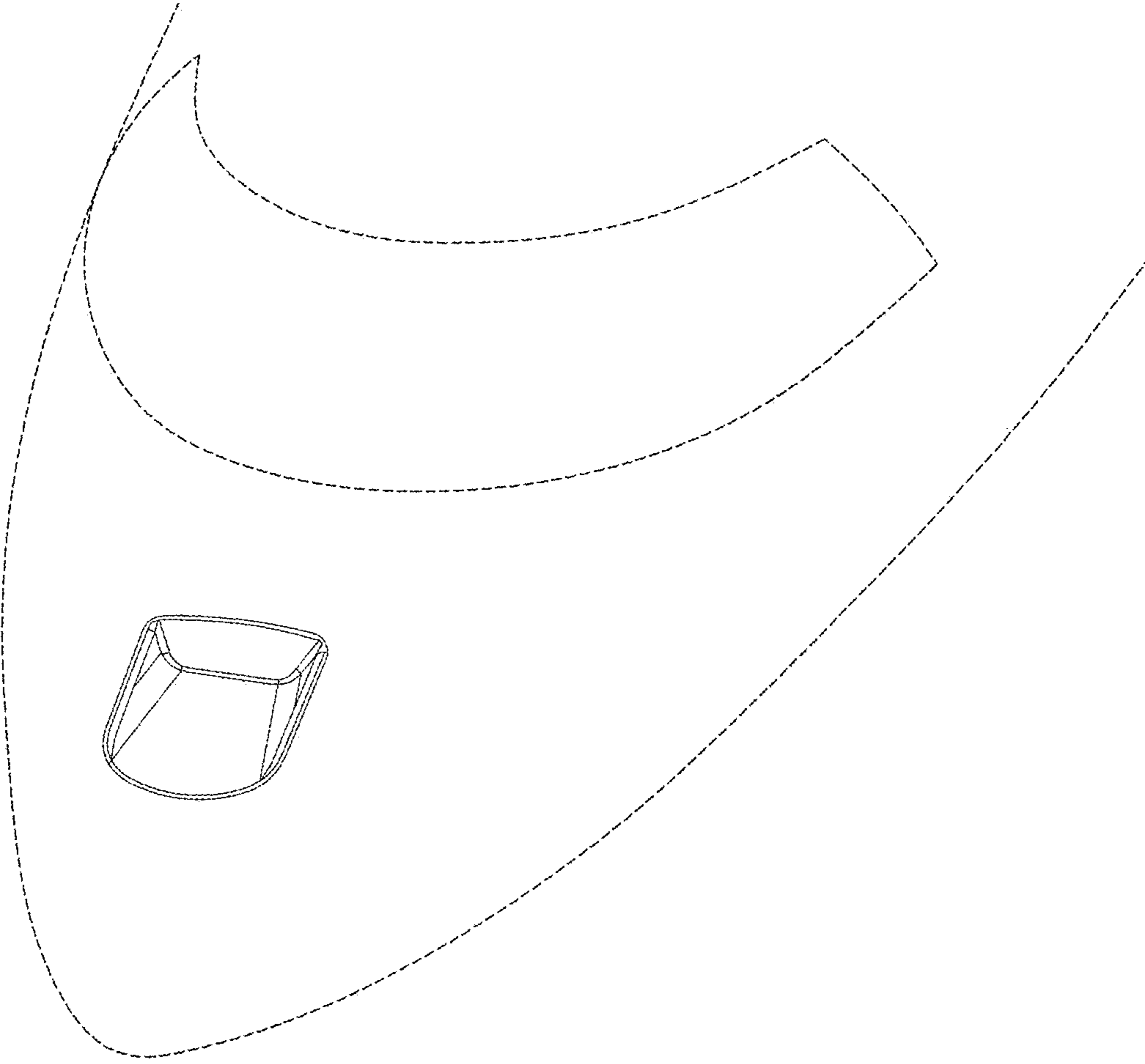


FIG. 5

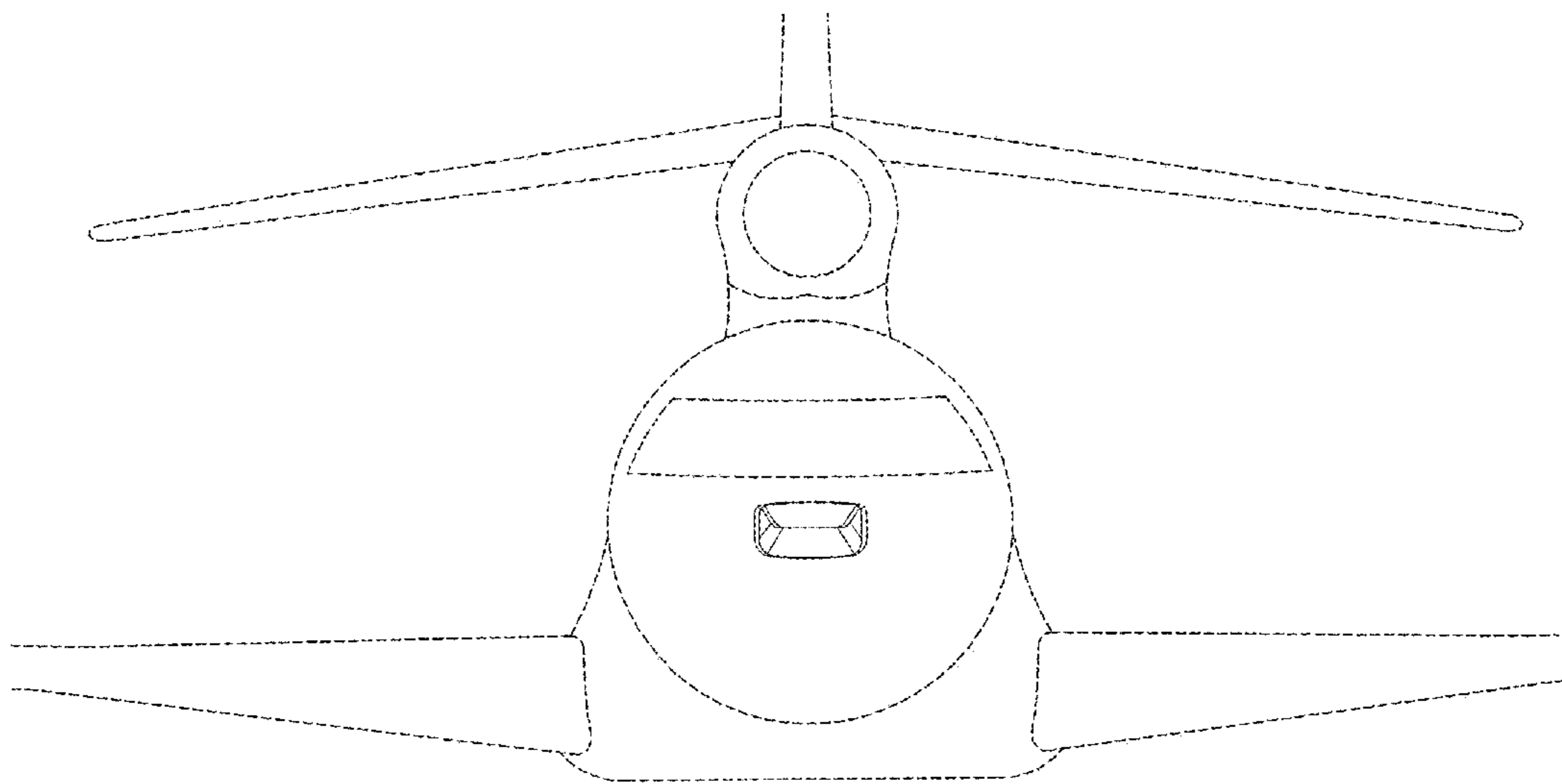


FIG. 6

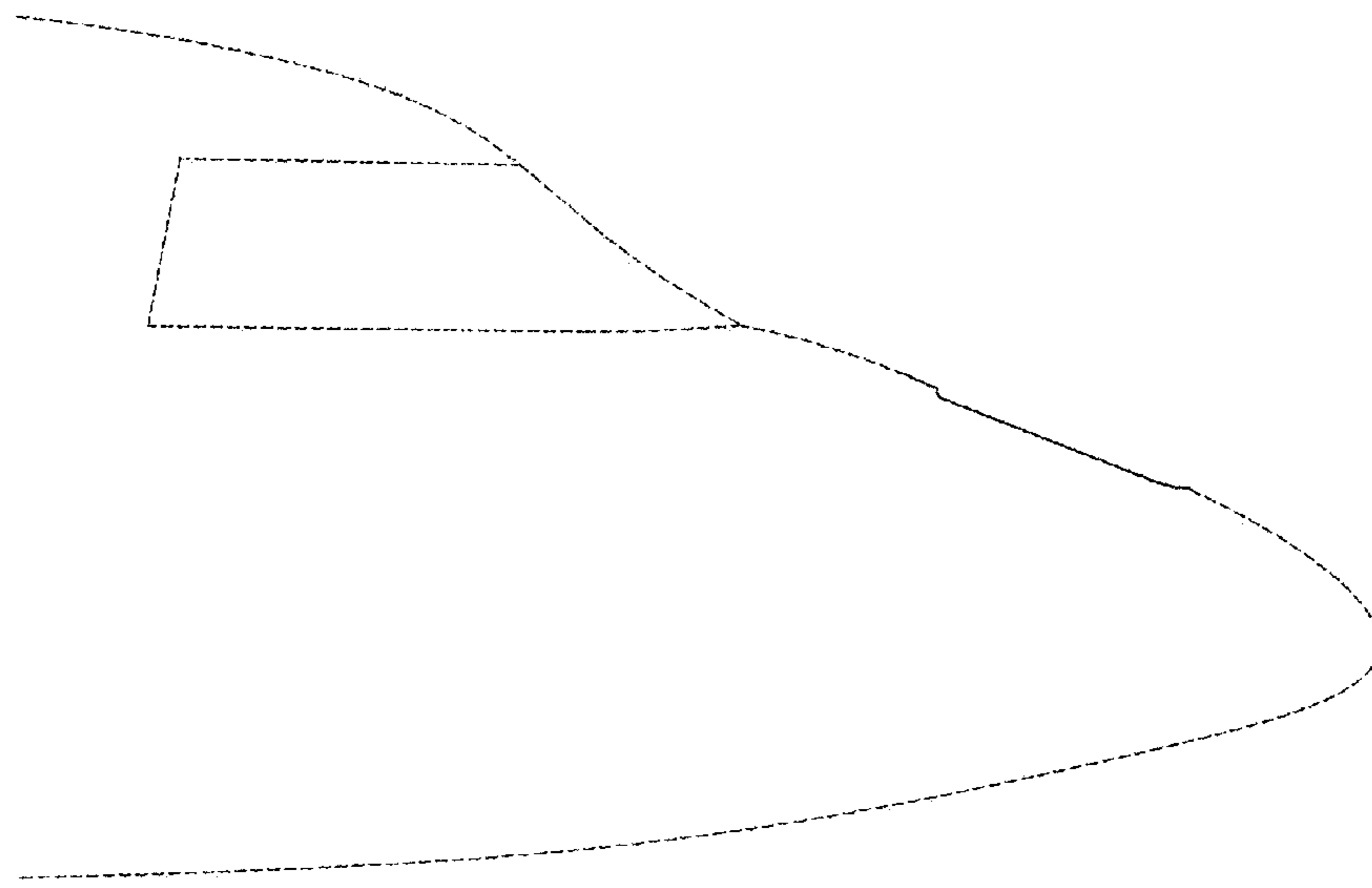


FIG. 7