



US00D740201S

(12) **United States Design Patent**
Wang

(10) **Patent No.:** **US D740,201 S**
(45) **Date of Patent:** **** Oct. 6, 2015**

(54) **TILT-ROTOR**

(71) Applicant: **James Wang**, Samarate (IT)

(72) Inventor: **James Wang**, Samarate (IT)

(73) Assignee: **AGUSTAWESTLAND S.P.A.**, Samarate (IT)

(**) Term: **14 Years**

(21) Appl. No.: **29/472,556**

(22) Filed: **Nov. 13, 2013**

Related U.S. Application Data

(62) Division of application No. 29/412,072, filed on Jan. 30, 2012, now Pat. No. Des. 696,618.

(30) **Foreign Application Priority Data**

Jul. 29, 2011 (EM) 1287205

(51) **LOC (10) Cl.** **12-07**

(52) **U.S. Cl.**
USPC **D12/326; D12/330**

(58) **Field of Classification Search**
USPC D12/319, 326, 327, 328, 330, 331, 341, D12/344, 345; 244/2, 5, 6, 7 A, 7 R, 244/12.1-12.4, 23 C, 17.11, 17.23, 117 R, 244/119; D21/430, 442, 447, 449, 450; 446/35, 36, 57
CPC B24C 29/00; B64C 29/0016; B64C 29/0033; B64C 11/00; B64C 11/001; B64C 27/00; B64C 27/08; B64C 27/20; B64C 27/52
See application file for complete search history.

(56) **References Cited**

U.S. PATENT DOCUMENTS

D162,517 S 3/1951 Burnelli
2,968,453 A * 1/1961 Bright 244/12.5

(Continued)

Primary Examiner — Martie K Holtje

(74) *Attorney, Agent, or Firm* — Ohlandt Greeley Ruggiero & Perle L.L.P.

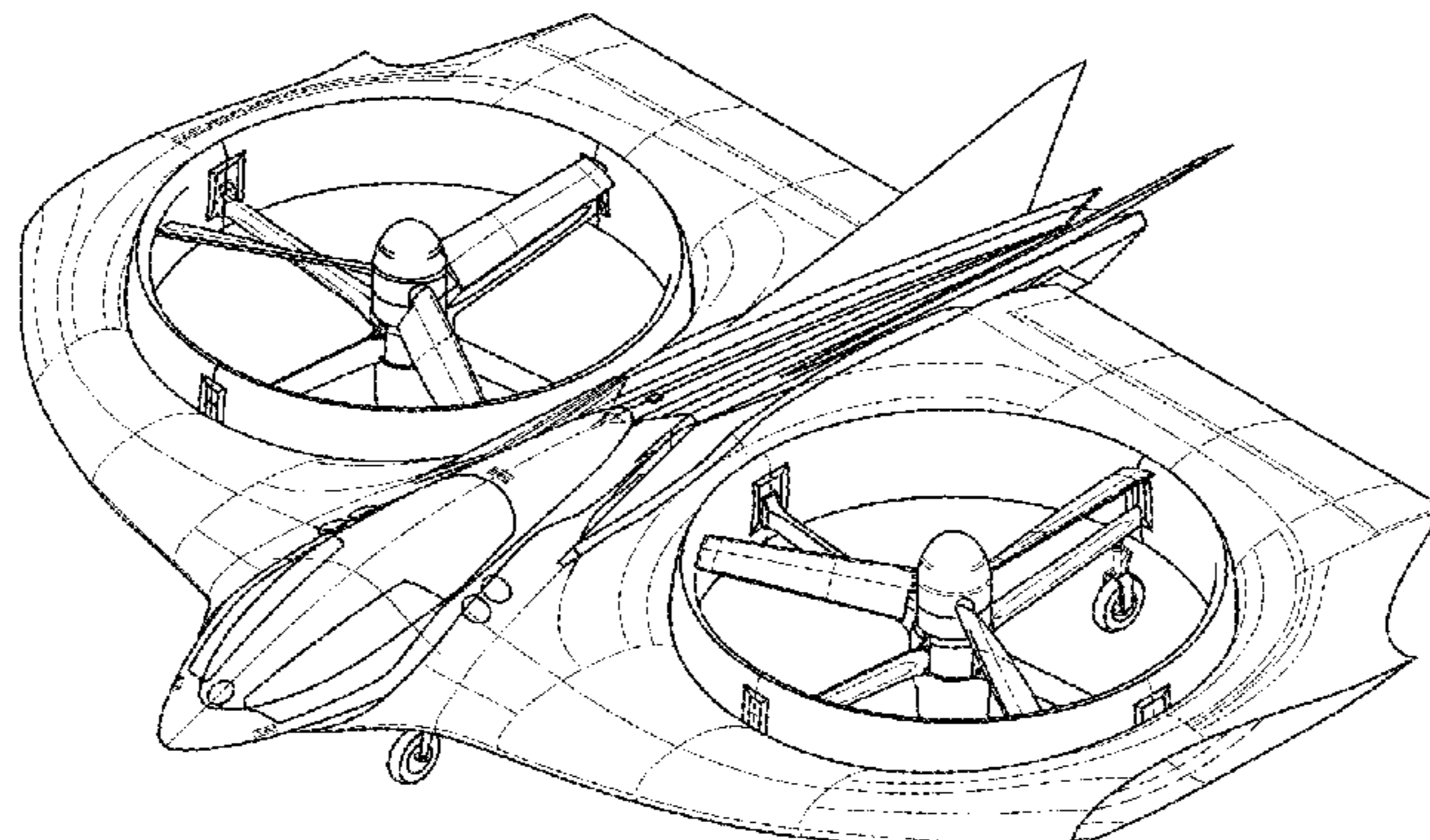
(57) **CLAIM**

The ornamental design for a tilt-rotor, as shown and described.

DESCRIPTION

FIG. 1 is a front, perspective view of the tilt-rotor according to a first embodiment of the present design;
FIG. 2 is a front view of the tilt-rotor of FIG. 1;
FIG. 3 is a left side view of the tilt-rotor of FIG. 1, the right side being a mirror image thereof;
FIG. 4 is a rear view of the tilt-rotor FIG. 1; and
FIG. 5 is a top view of the tilt-rotor FIG. 1.
FIG. 6 is a front perspective view of a tilt-rotor according to a second embodiment of the present design, with the rotors in a vertical position;
FIG. 7 shows a front view of the tilt-rotor of FIG. 6;
FIG. 8 shows a left side view of the tilt-rotor FIG. 6, the right side being a mirror image thereof;
FIG. 9 shows a rear view of the tilt-rotor FIG. 6; and
FIG. 10 shows a top view of the tilt-rotor FIG. 6.
FIG. 11 is a front perspective view of the tilt-rotor of FIG. 6 with the rotors in a horizontal position;
FIG. 12 shows a front view of the tilt-rotor of FIG. 11;
FIG. 13 shows a left side view of the tilt-rotor FIG. 11, the right side being a mirror image thereof;
FIG. 14 shows a rear view of the tilt-rotor FIG. 11; and
FIG. 15 shows a top view of the tilt-rotor FIG. 11.
FIG. 16 is a front perspective view of the tilt-rotor according to a third embodiment of the present design;
FIG. 17 shows a front view of the tilt-rotor of FIG. 16;
FIG. 18 shows a left side view of the tilt-rotor FIG. 16, the right side being a mirror image thereof;
FIG. 19 shows a rear view of the tilt-rotor FIG. 16; and
FIG. 20 shows a top view of the tilt-rotor FIG. 16.
The structural elements depicted by broken lines in FIGS. 3, 8, 13, and 18 have been shown for the purpose of illustrating portions of the tilt-rotor that form no part of the claimed design.
The portions of the bottom of the tilt-rotor, not shown in the drawings, form no part of the claimed design.

1 Claim, 20 Drawing Sheets



(56)

References Cited

U.S. PATENT DOCUMENTS

D190,534 S	6/1961	Smolinski		6,561,456 B1	5/2003	Devine	
2,989,269 A *	6/1961	Le Bel	244/12.3	D489,315 S	5/2004	Dauvergne	
D192,195 S	2/1962	Stepniewski		D496,606 S *	9/2004	Sanders, Jr.	D12/5
D192,583 S *	4/1962	Walker et al.	D12/330	6,843,447 B2	1/2005	Morgan	
3,335,977 A	8/1967	Meditz		D543,928 S	6/2007	Sanders et al.	
D231,976 S	7/1974	Torelli		7,267,300 B2 *	9/2007	Heath et al.	244/12.3
D274,512 S	7/1984	Clifton		D592,582 S	5/2009	Tamm et al.	
4,469,294 A	9/1984	Clifton		D626,056 S *	10/2010	Garreau	D12/326
4,828,203 A	5/1989	Clifton et al.		8,104,707 B1 *	1/2012	Ohanian, III	244/23 C
D302,676 S	8/1989	Clifton		D665,333 S	8/2012	Oliver	
5,141,176 A	8/1992	Kress et al.		D696,618 S *	12/2013	Wang	D12/326
5,320,305 A *	6/1994	Oatway et al.	244/12.3	2004/0245374 A1 *	12/2004	Morgan	244/12.3
				2007/0246601 A1 *	10/2007	Layton	244/12.2
				2009/0008510 A1 *	1/2009	Posva	244/7 R

* cited by examiner

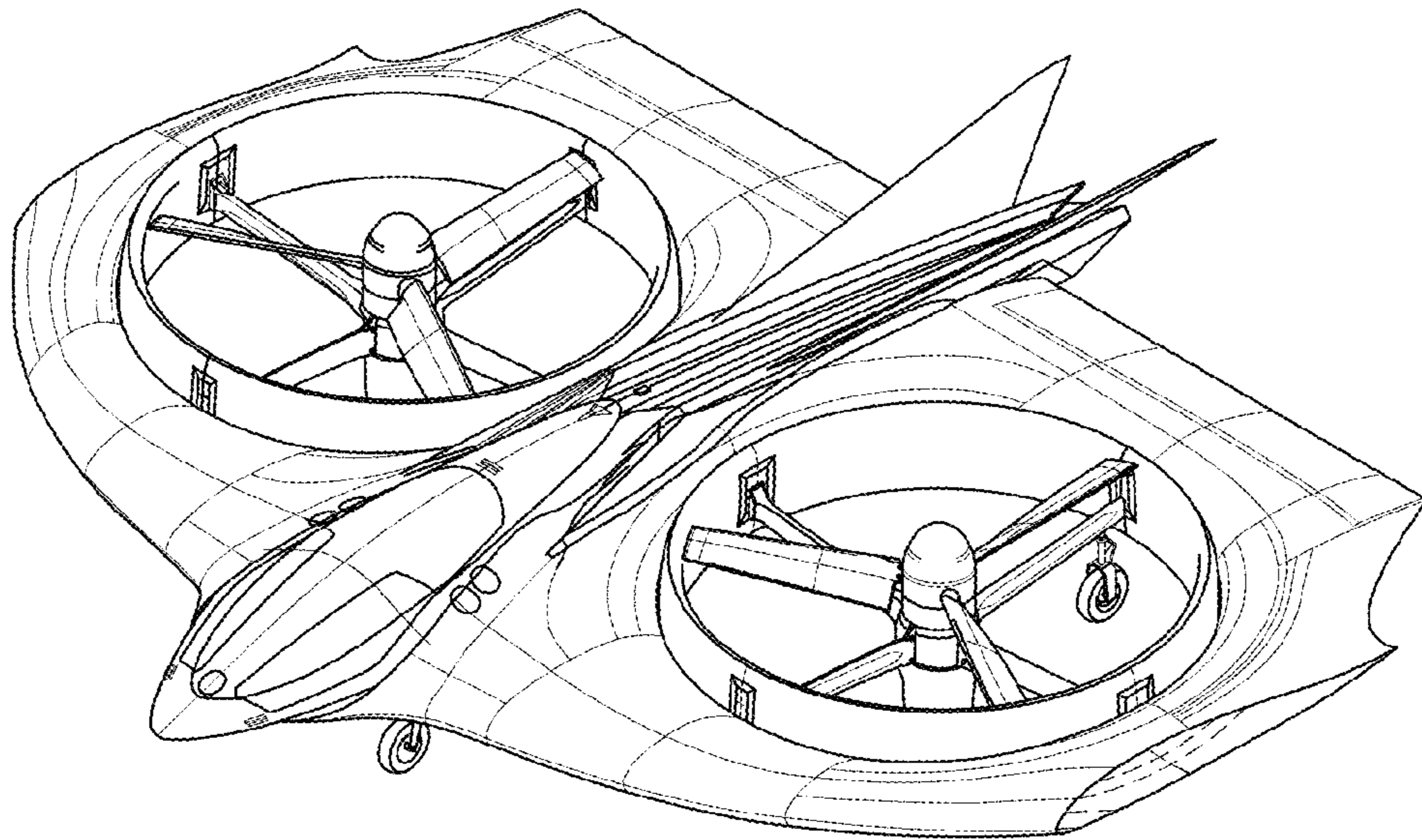


FIG. 1

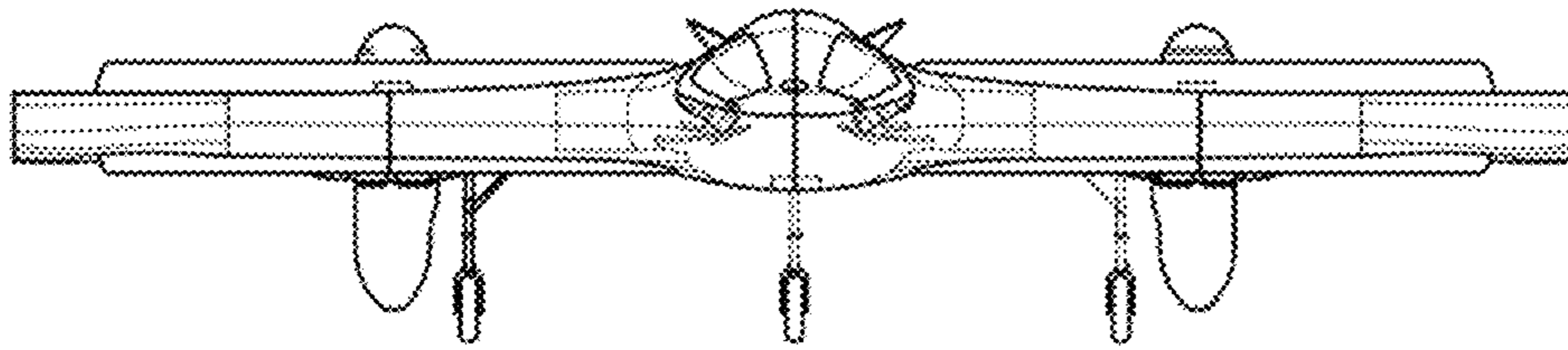


FIG. 2

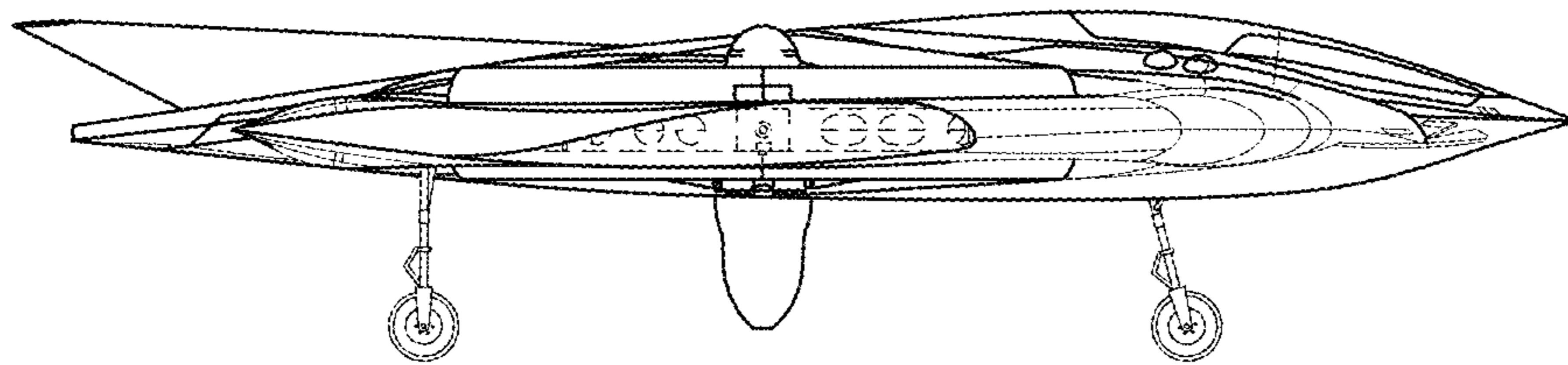


FIG. 3

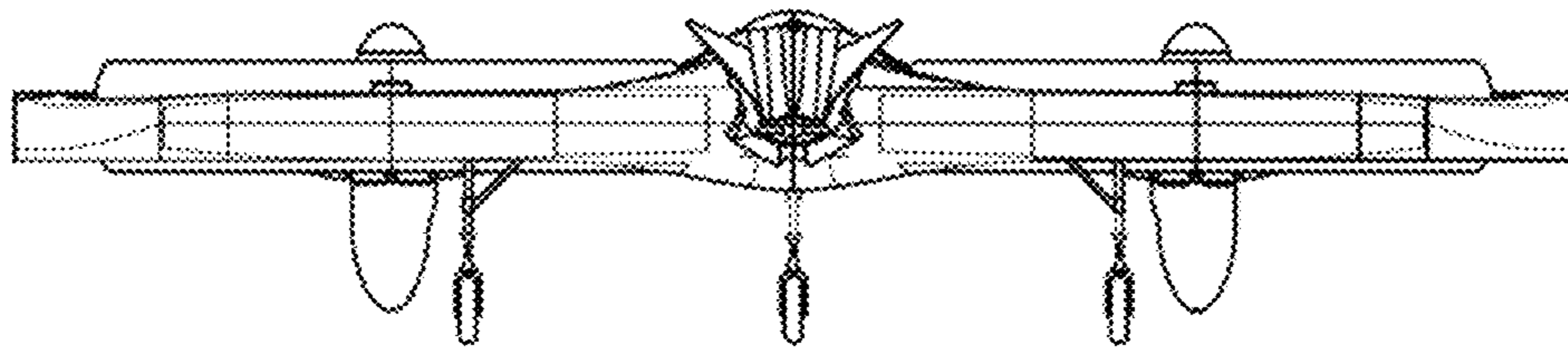


FIG. 4

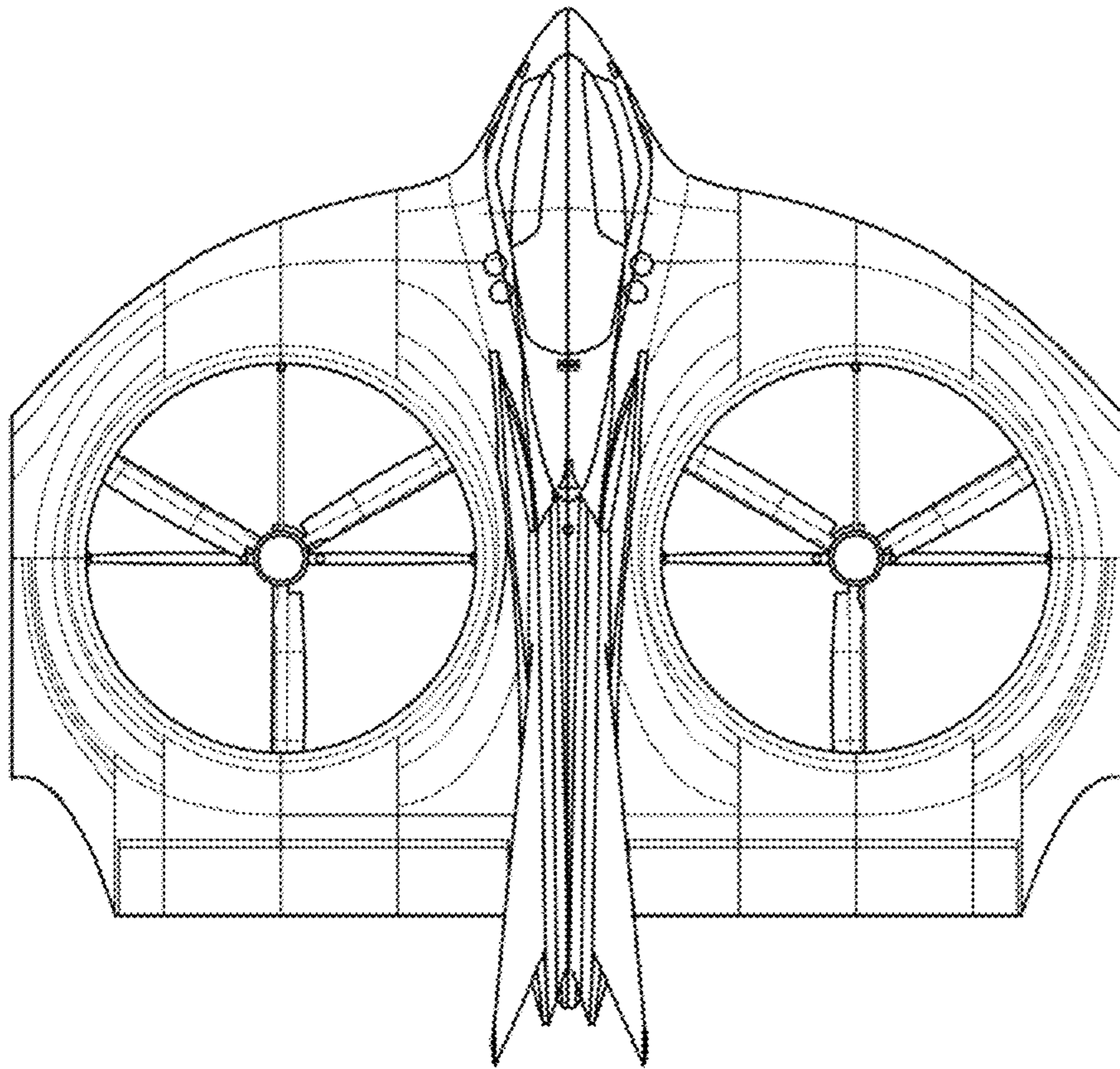


FIG. 5

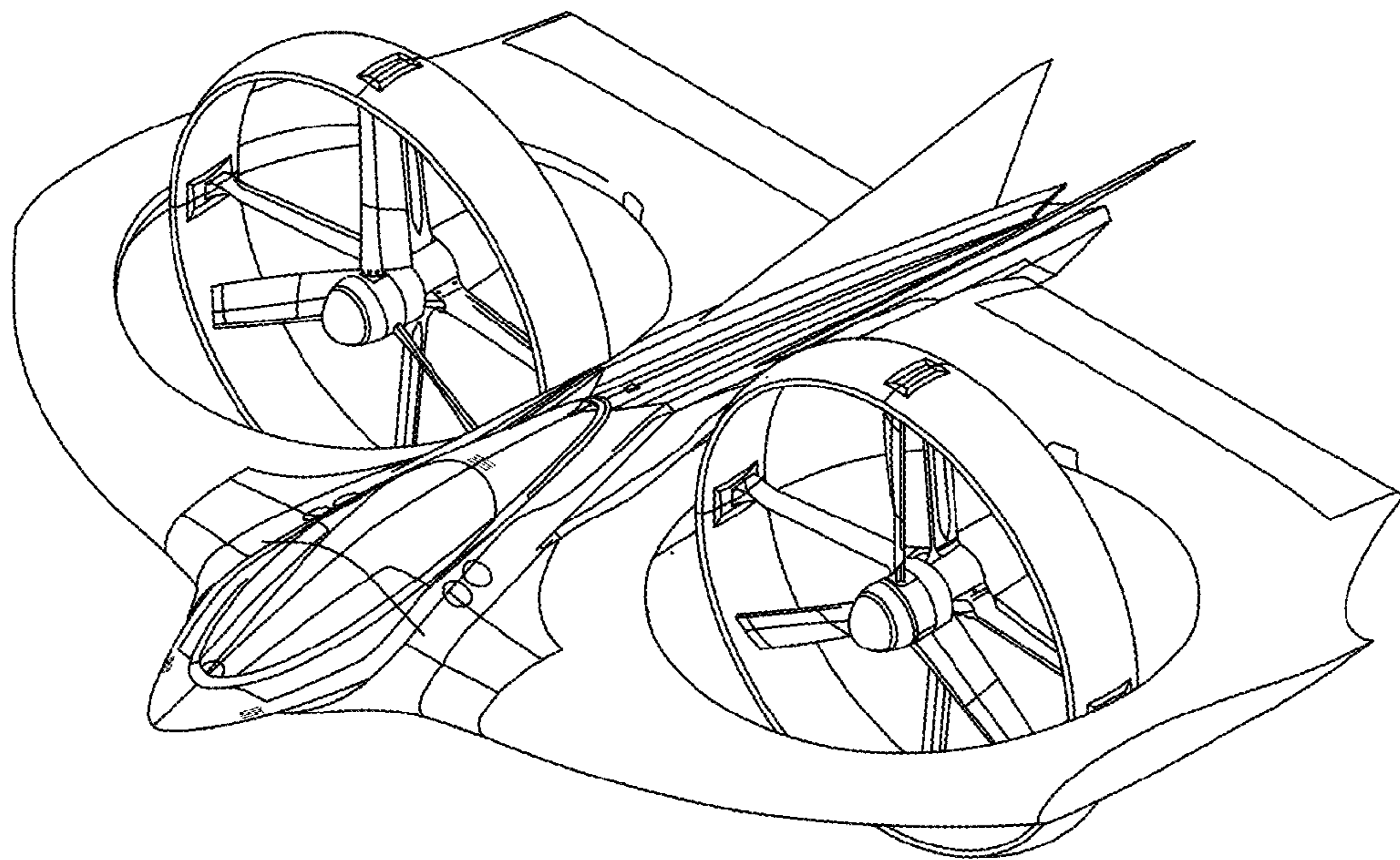


FIG. 6

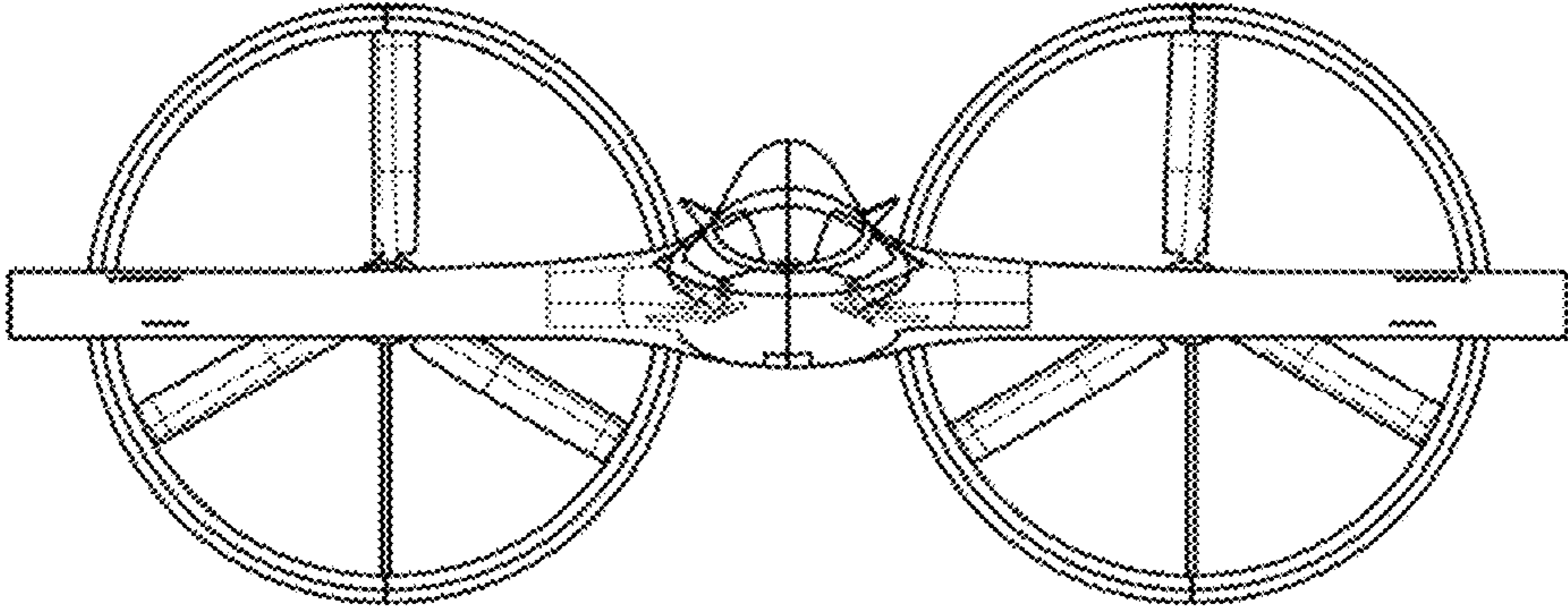


FIG. 7

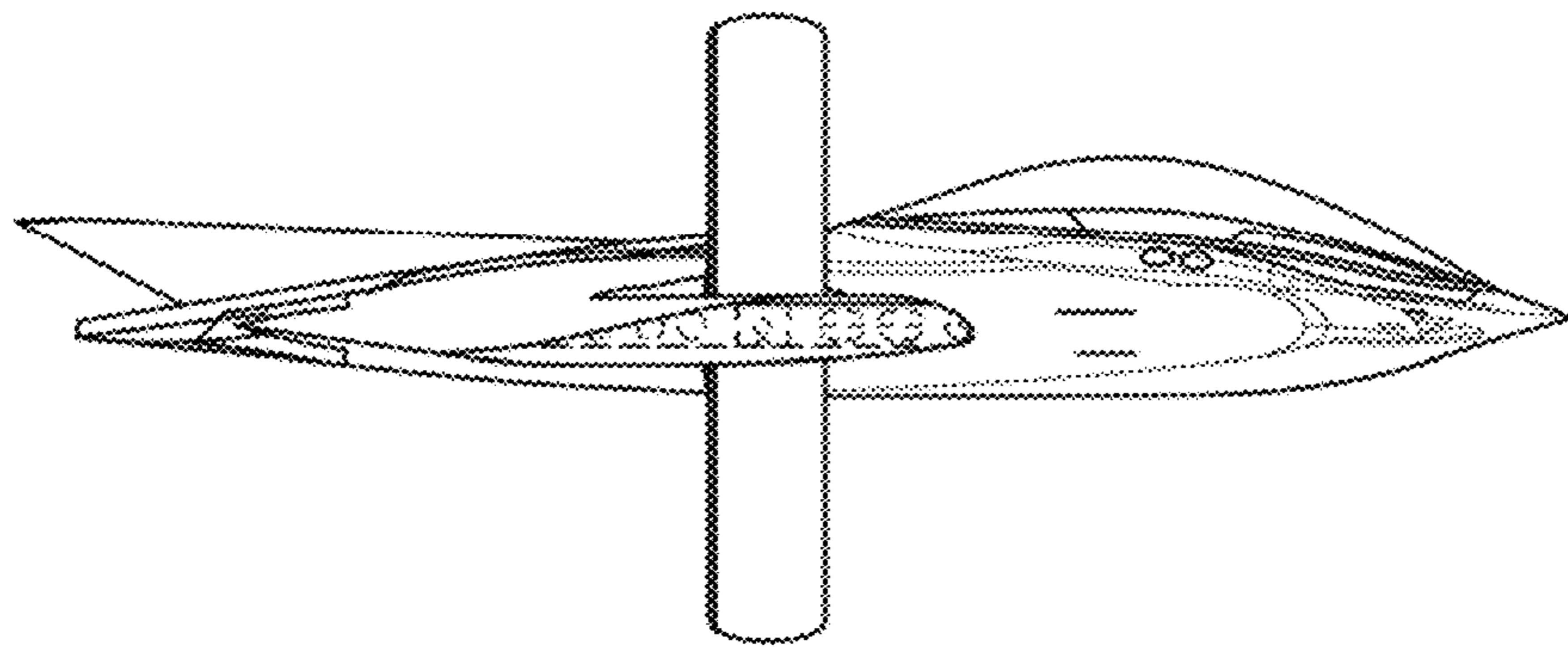


FIG. 8

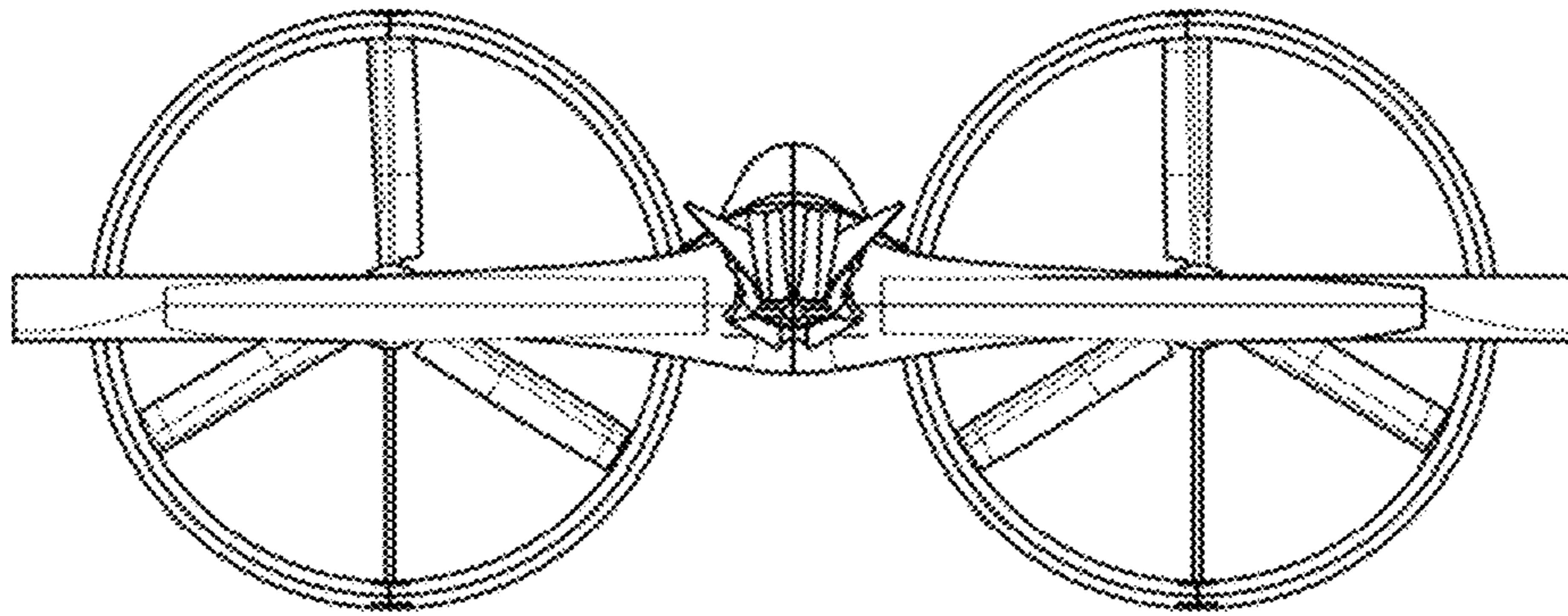


FIG. 9

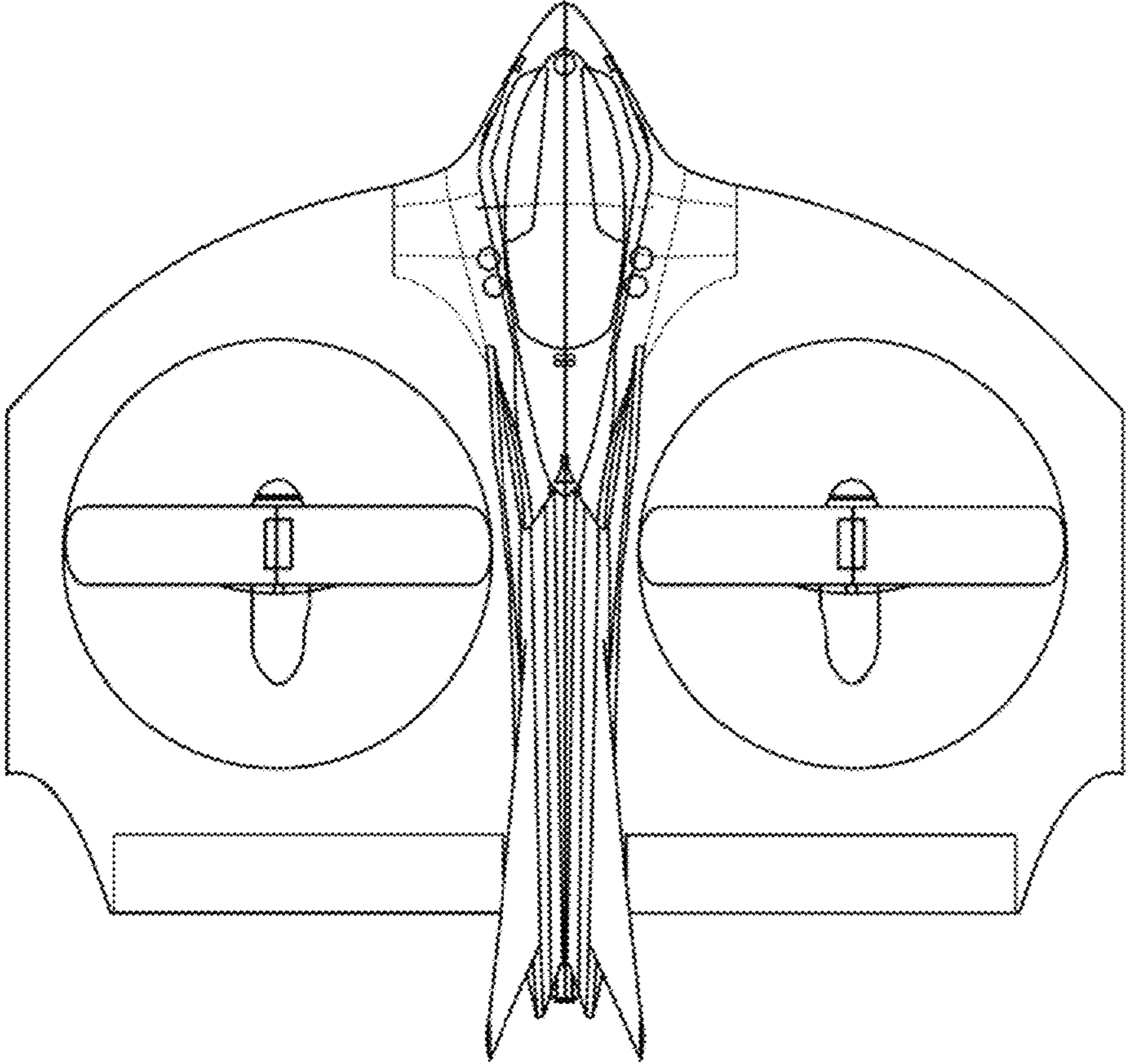


FIG. 10

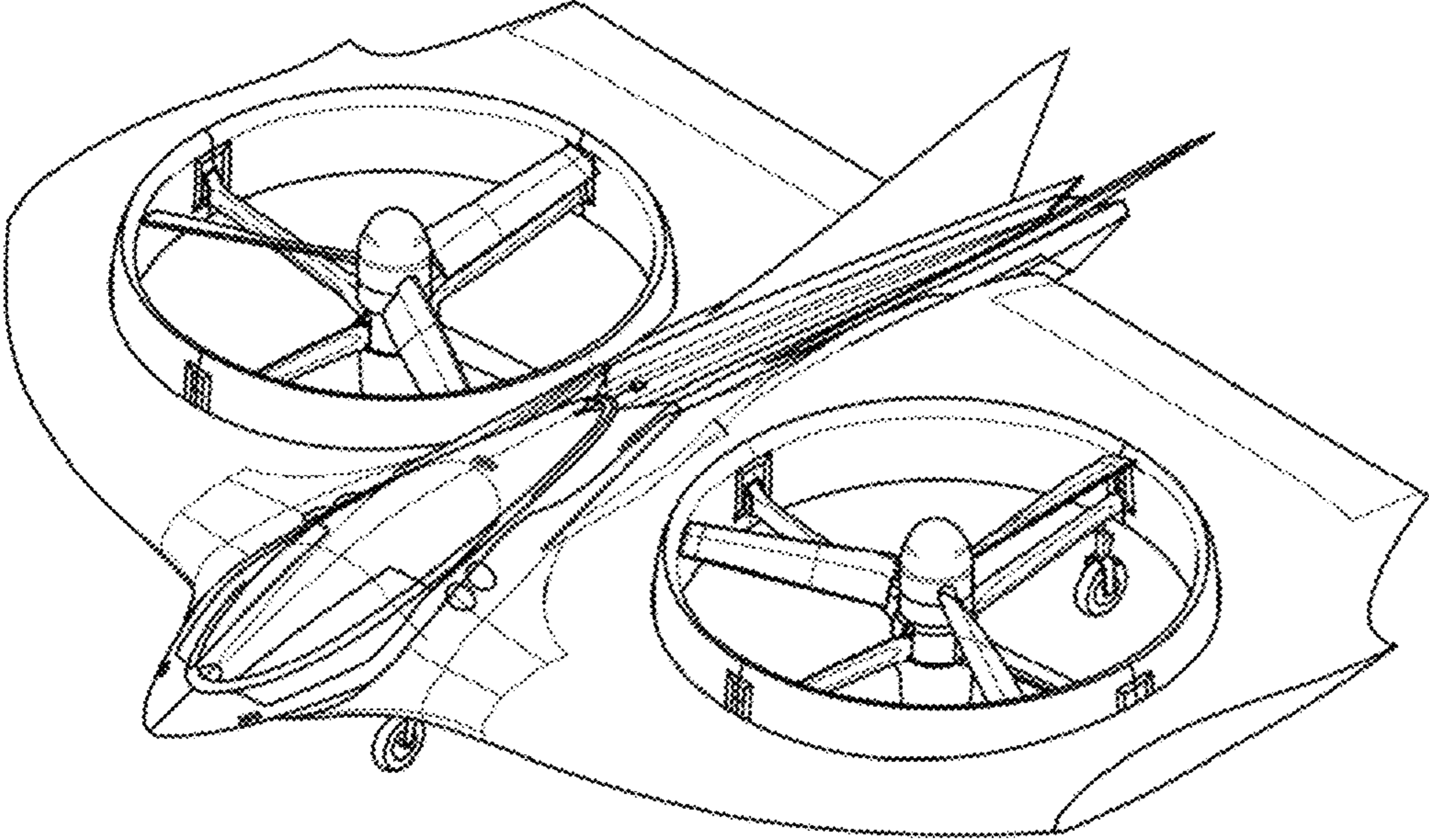


FIG. 11

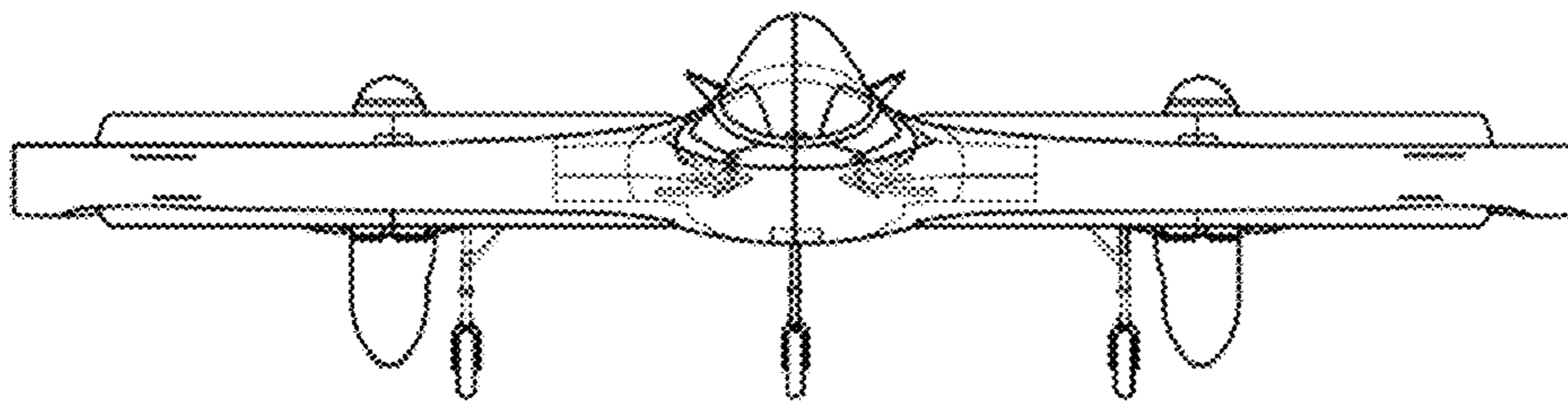


FIG. 12

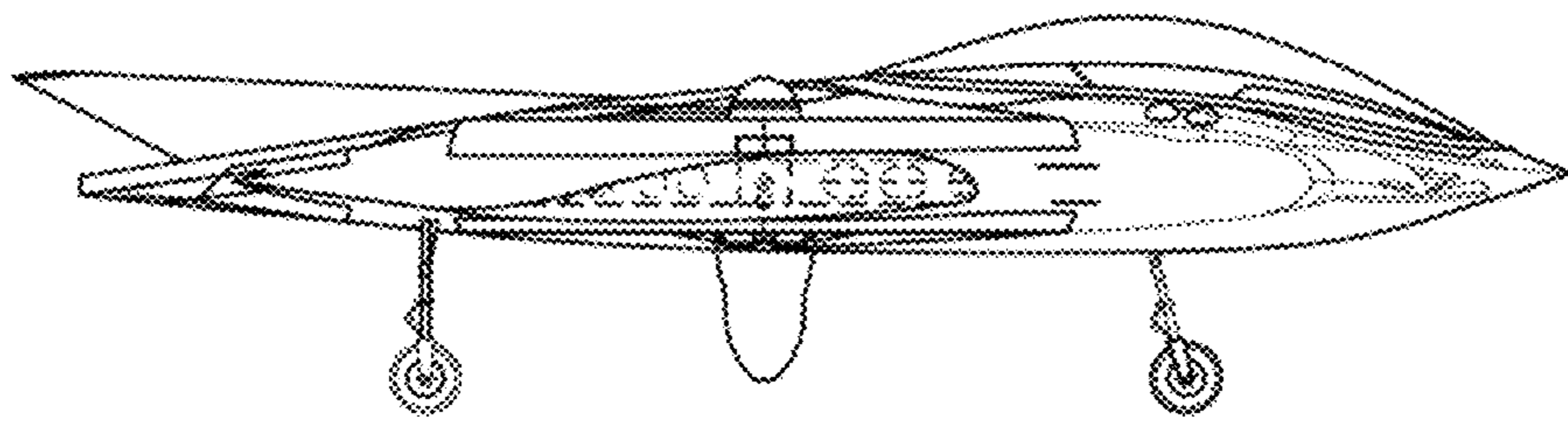


FIG. 13

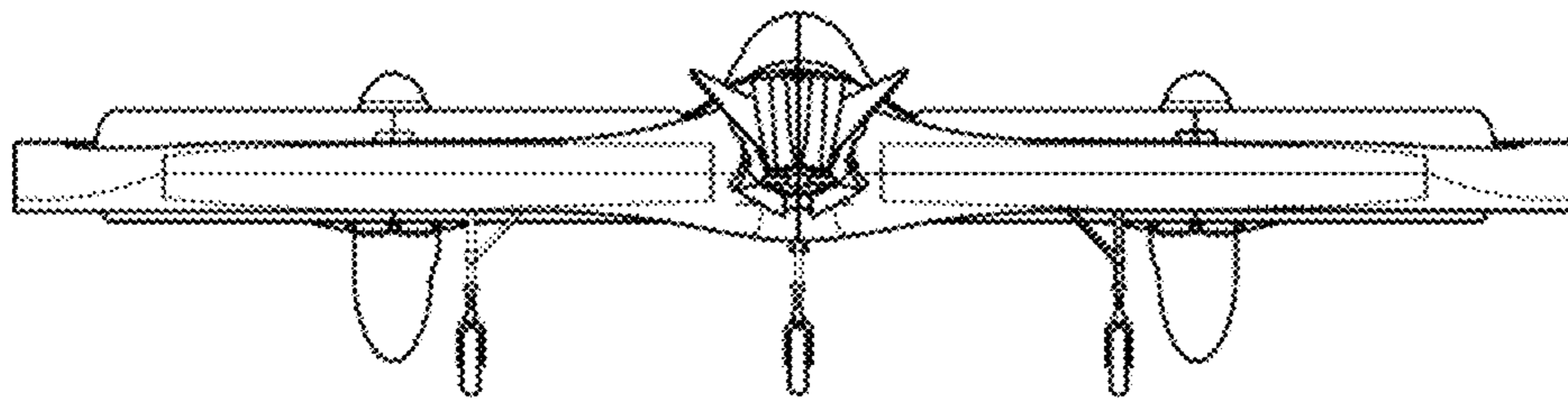


FIG. 14

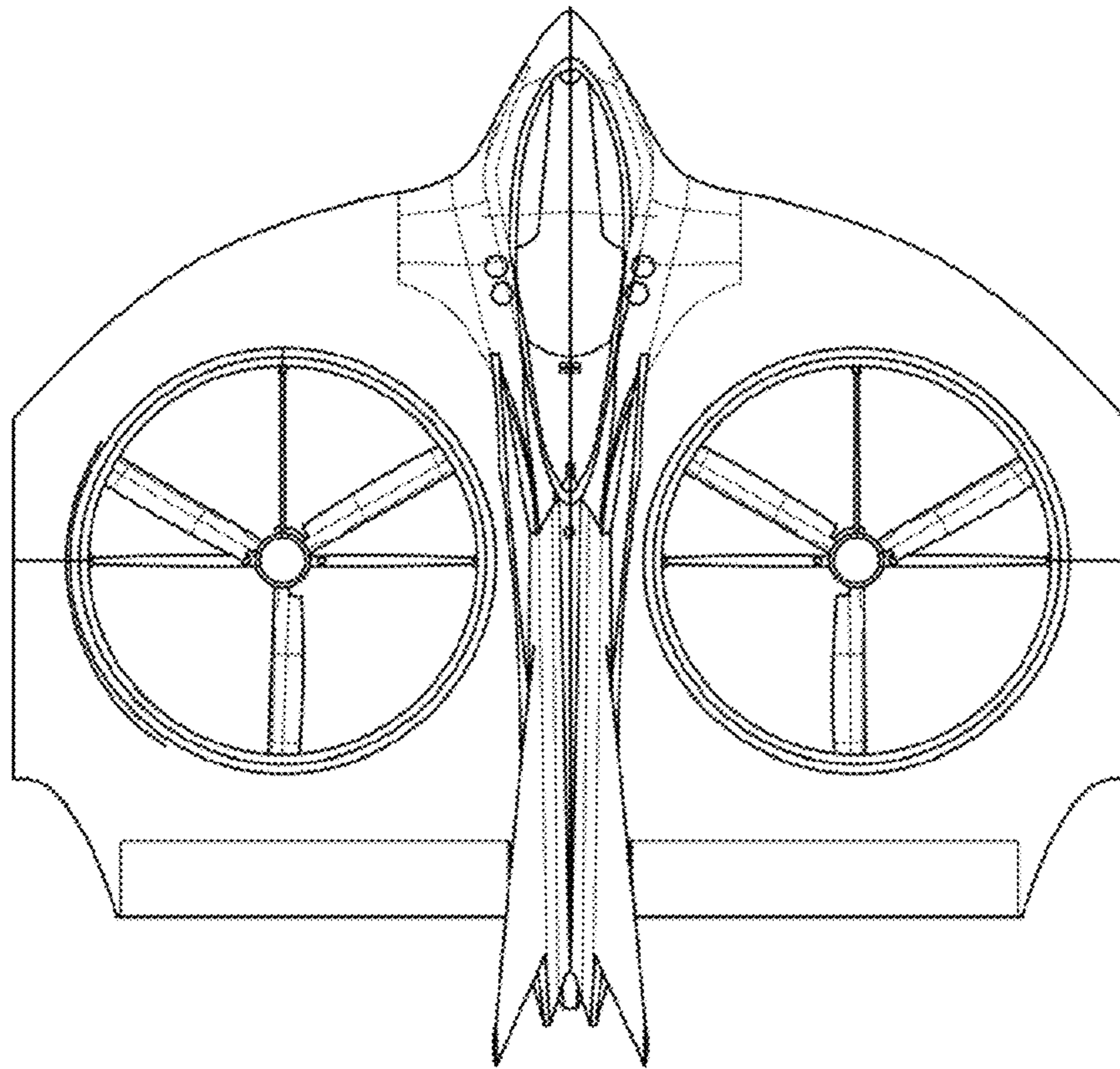


FIG. 15

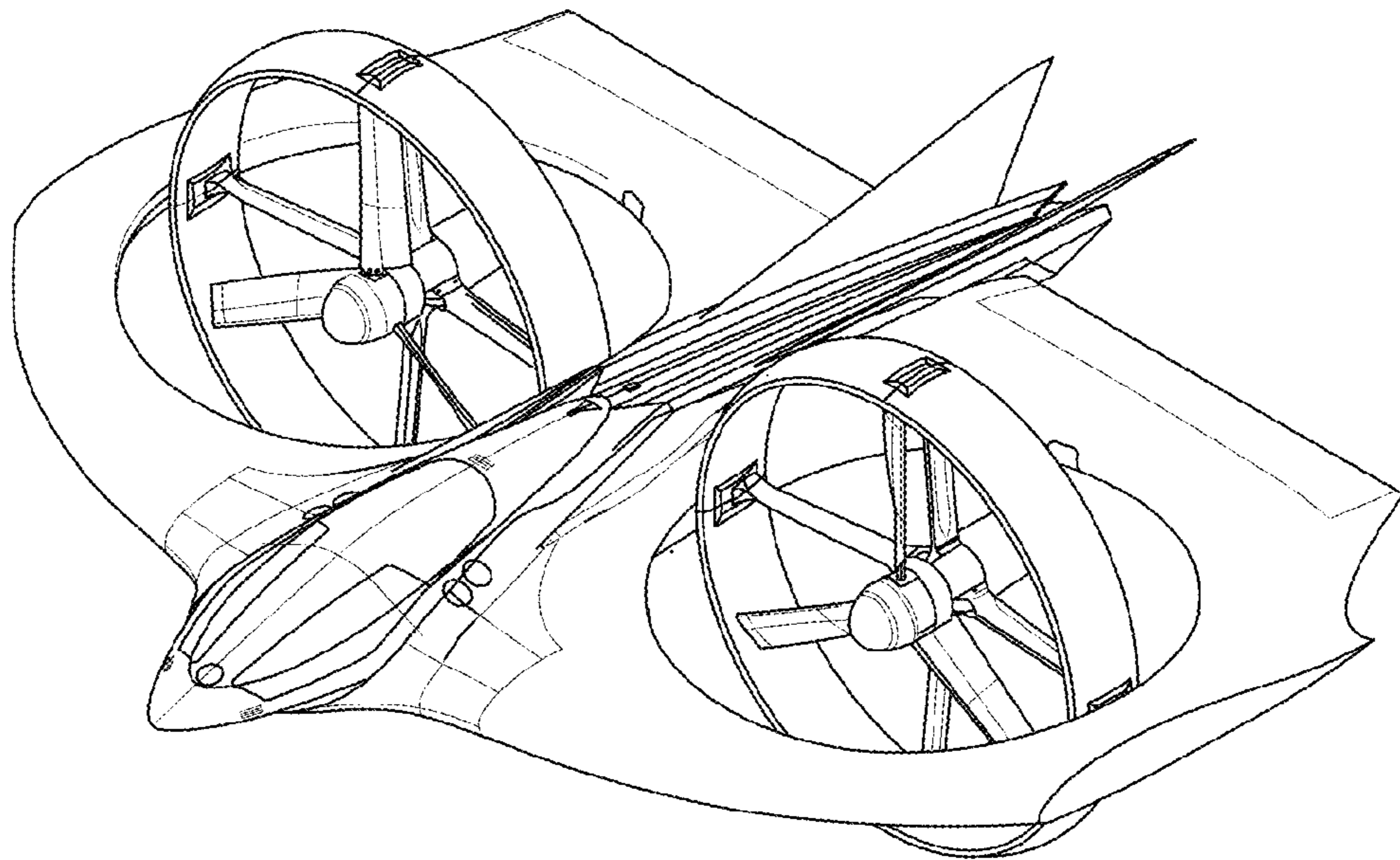


FIG. 16

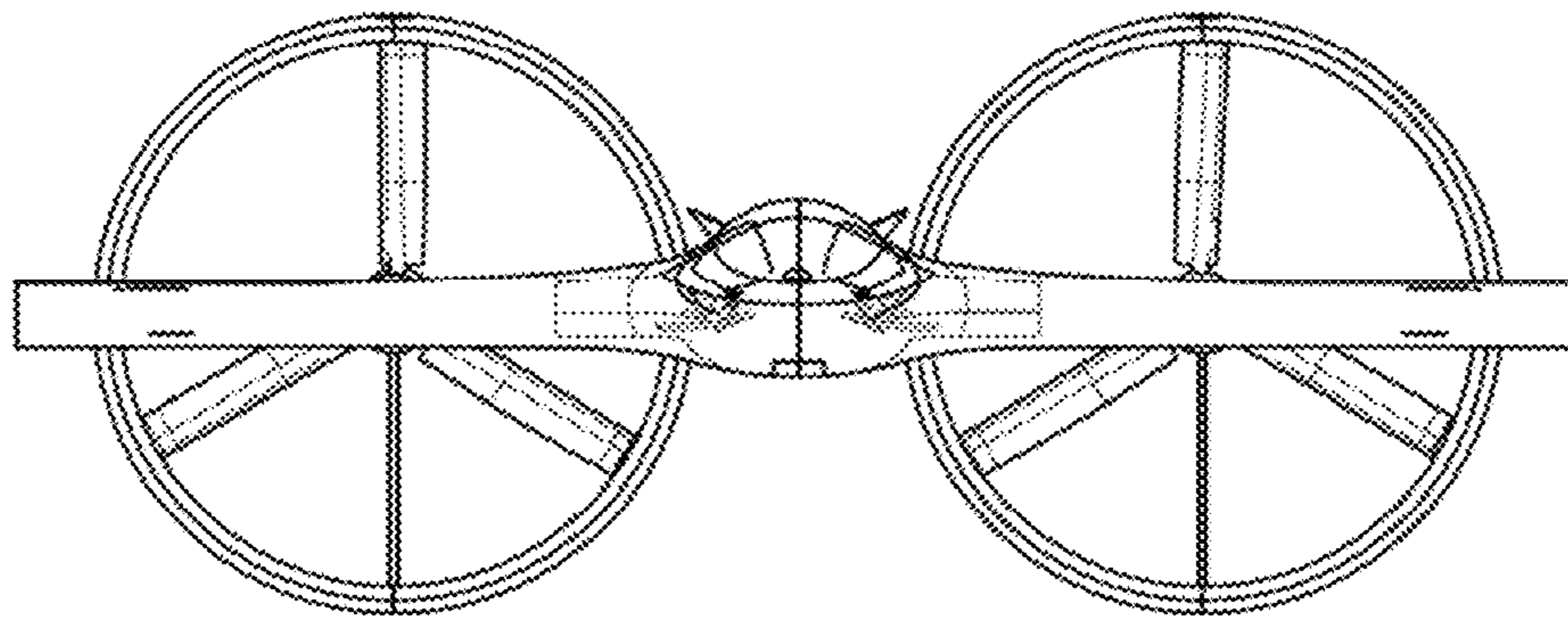


FIG. 17

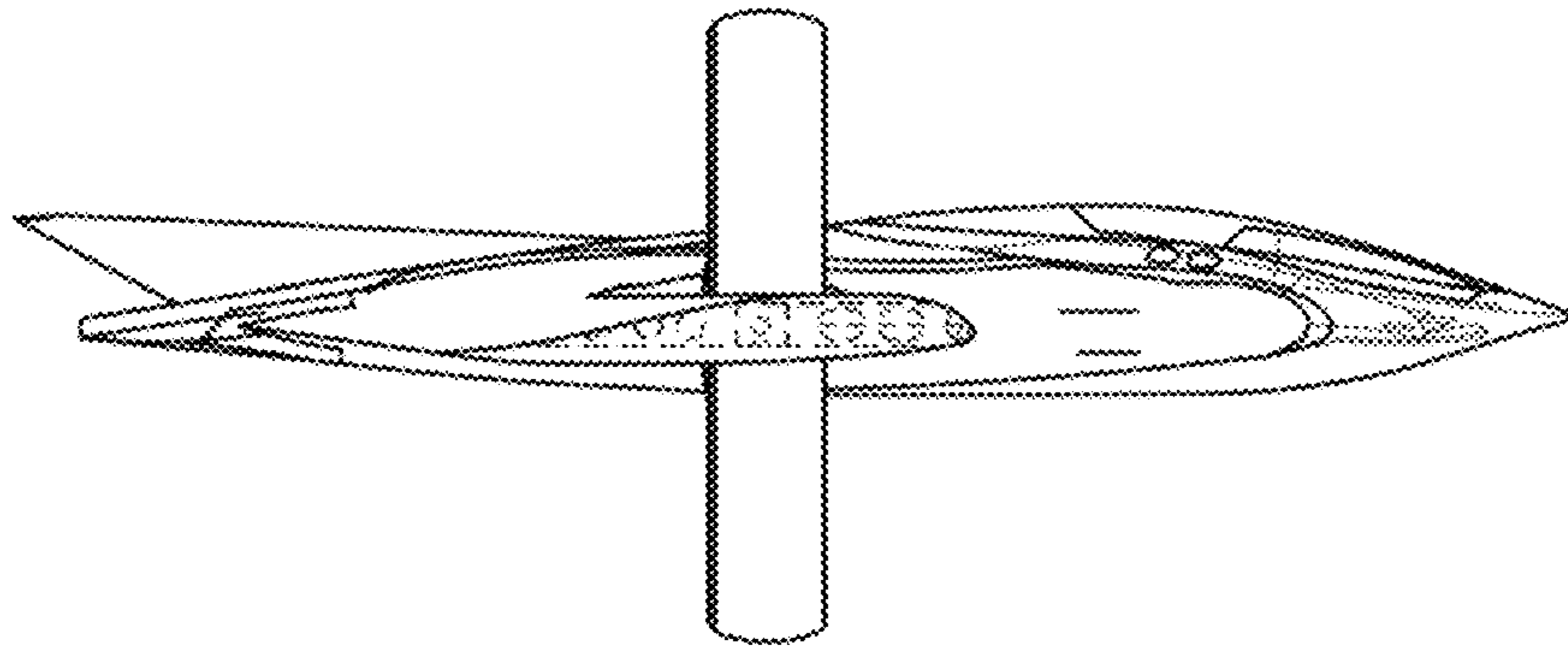


FIG. 18

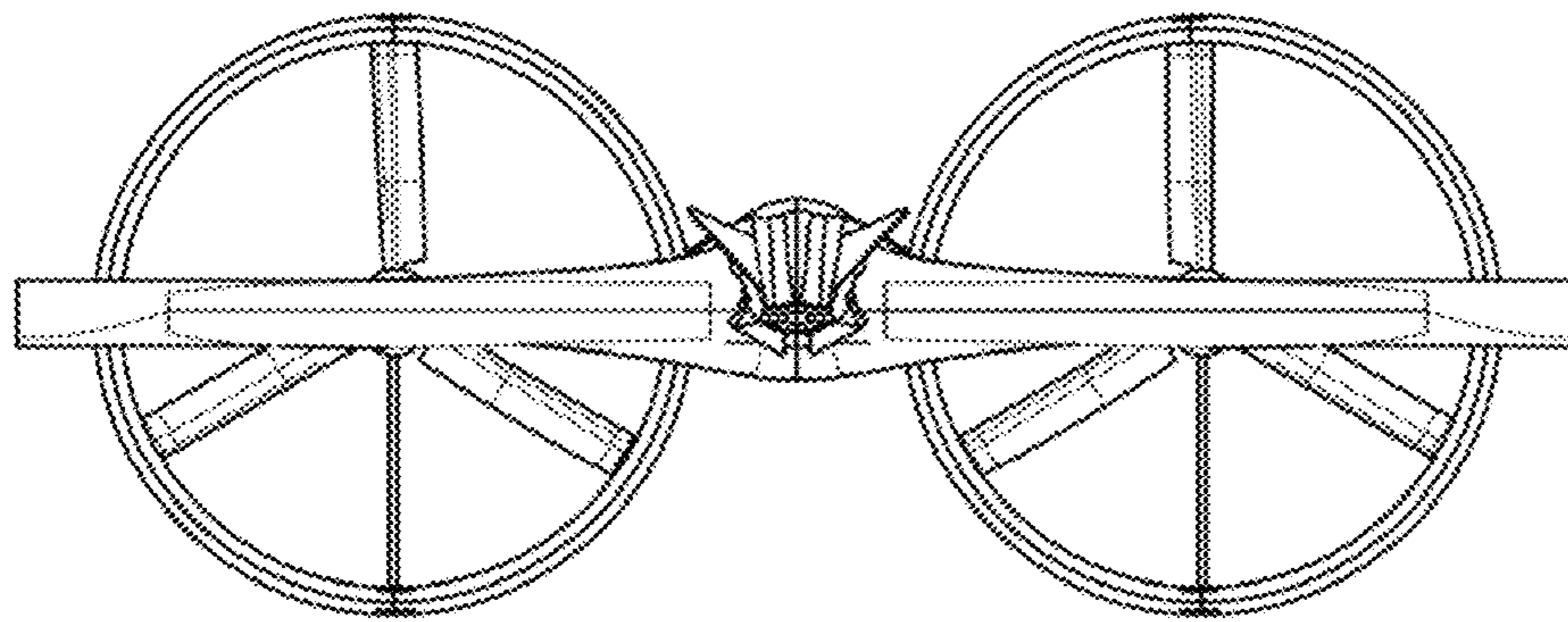


FIG. 19

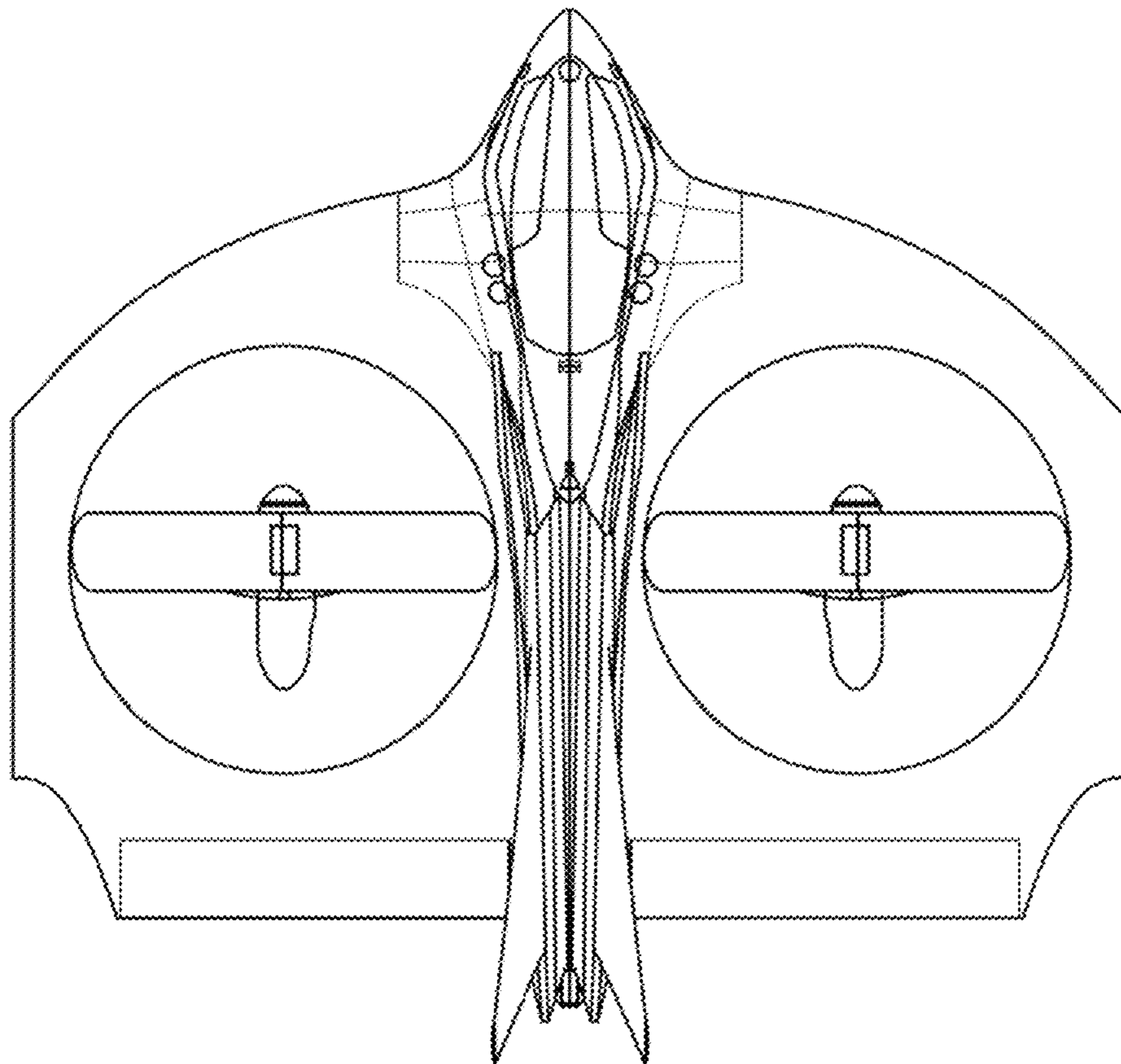


FIG. 20